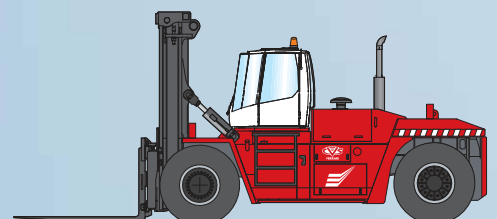
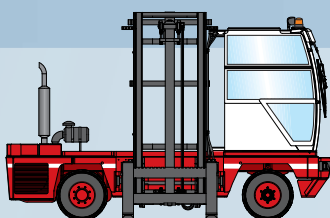
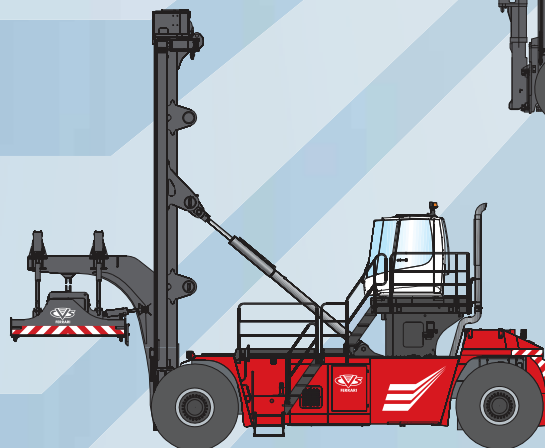
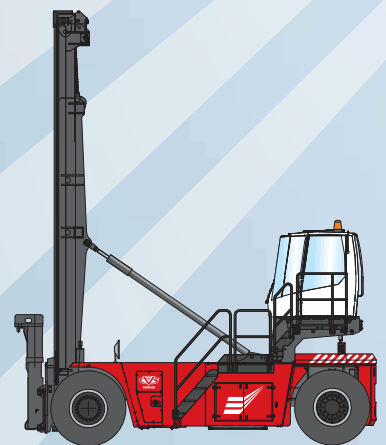
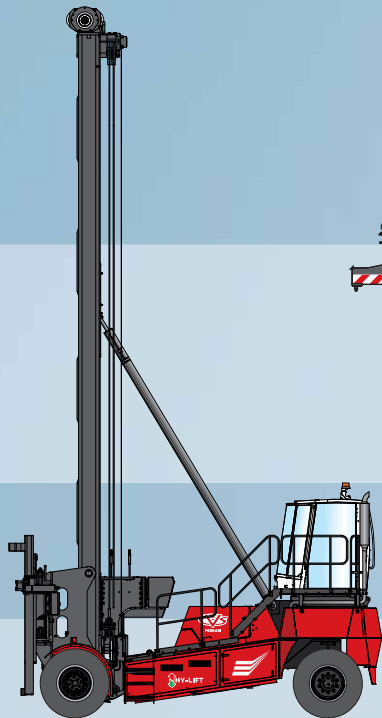
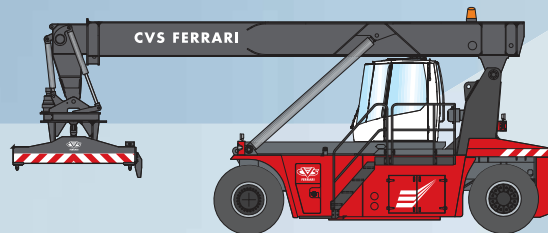
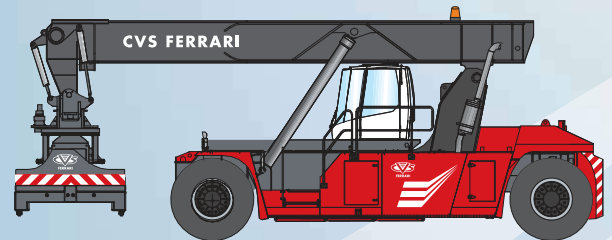
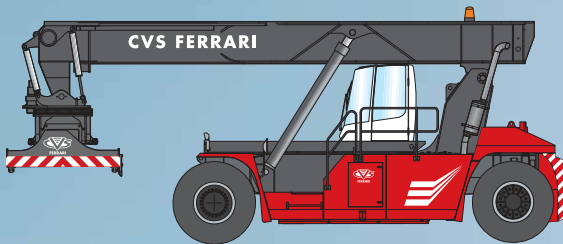




**FERRARI**

PRODUCT RANGE OVERVIEW

---



# Laden Container and Intermodal Handling REACH STACKERS

AT THE  
FOREFRONT  
OF THE INDUSTRY



The CVS FERRARI Reach Stackers are at the **forefront of the industry** for their unmatched structural strength and durability, the superior technology they incorporate and the better economic efficiency they deliver.

Being the only machine of its class with **DIN 15018 H2-B4 third party certified structures**, our Reach Stacker is the strongest in the market and it can withstand any application or working condition.

In such everlasting structures, our machines incorporate only prime main components from the most reputable international suppliers, and are the first ever to feature the state-of-the-art **load sensing electro-hydraulics**. This technology, integrated by our exclusive **SIXTH SENSE** system, minimizes fuel consumption while maximizing speed and precision of response. The end result is increased safety, better productivity and lower running cost.

Full CAN-BUS electric system, **military standard electric components**, tropicalized hydraulic system cooling, hydraulic tank pressurization, stainless steel engine exhaust and air intake lines are only few of the many high quality system solutions that make our machines extremely reliable products also coming with reduced service routines and longest service intervals.

A very powerful on-board automotive type computer system controls the complete machine functions and delivers UNI 15000 compliant **load and stability certified safety**. Then it provides a great deal of additional operational safety and driver's job easing functions, like - among many others - the Drive Optimizer, the Stack Sherpa and the Dynamic Stability Control.

For operations management, these exceptional machines provide a detailed electronic record of the accomplished work and its related key performance indicators. On top of these standard features it is available a real time **REMOTE MONITORING SYSTEM** package that transfer in real time all the functional and operational parameters of the machine at work, making this way possible the live remote machine activity follow up, its **real time telemetry** and its complete reliability track record and operational history. A modern **Data Analytics** software is then provided with this option to elaborate in depth truck and fleet data analysis and reporting.

The CVS FERRARI Reach Stackers are available with standard telescopic spreader, with or without powered pile slope, with combined top and bottom pick spreader and also with a **variety of attachments** for non-container handling applications can be configured and installed to suit innumerable heavy handling needs.

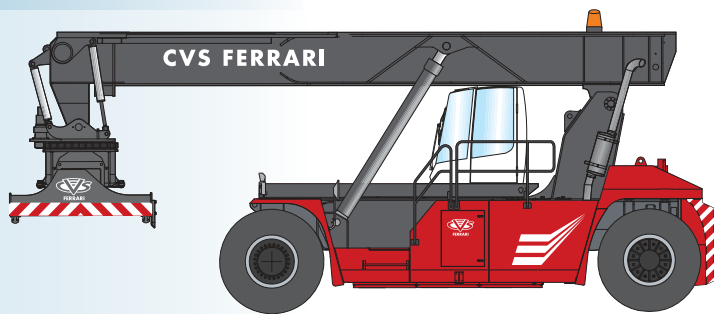
# MODELS

**F500.RS1**

**F500.RS2**

**F500.RS3**

**F500.RS5**



# TECHNICAL SPECIFICATIONS

Make		CVS FERRARI											
Truck Type		Laden Container and Intermodal Handling Reach Stacker											
Model		F500.RS1			F500.RS2			F500.RS3			F500.RS5		
Attachment type		20'/40' Top Pick Spreader											
Load capacity on tires at 1st/2nd/3rd row (no stab)	kg	46.000	27.000	13.000	46.000	31.000	16.000	46.000	33.000	17.000	46.000	36.000	19.000
Load centre distance at 1st/2nd/3rd row	mm	1.780	3.850	6.400	1.780	3.850	6.400	1.780	3.850	6.400	1.780	3.850	6.400
Load capacity on stabilizers at 1st/2nd/3rd row *	kg	Stabilizers not available			Stabilizers not available			46.000	40.000	23.000	46.000	43.000	27.000
Load centre to front face of the truck.	mm	830			830			830			930		
Lifting height under twist-lock	mm	16.100			16.100			16.100			16.200		
Stacking Ability - containers		1 over 5 = 6 x 8'6"			1 over 5 = 6 x 8'6"			1 over 5 = 6 x 8'6"			1 over 5 = 6 x 8'6"		
Wheelbase	mm	6.500			6.500			6.500			6.500		
Service weight - unladen	kg	68.000			71.000			73.500			77.700		
EU Stage 3a Engine make&model (Rated Power)	(kW)	CUMMINS QSM11 (250)											
EU Stage 4 Engine make&model (Rated Power)	(kW)	SCANIA DC13 (257) or CUMMINS QSG12 (250)											
Transmission make&model		DANA TE32											
Service Brakes		Wet Disk on front wheels											
Tires size		18.00-25			18.00-25			18.00-25			18.00-33		
Overall width - excluding Spreader	mm	4.185			4.185			4.185			4.185		
Overall length - including spreader	mm	12.000			12.000			12.000			12.000		
Overall height	mm	4.800			4.800			4.800			4.800		
Seat height	mm	2.720			2.720			2.720			2.780		
Spreader rotation - clocwise/anticlockwise	deg	-105 / +195			-105 / +195			-105 / +195			-105 / +195		
Spreader side-shift - left / right	mm	+800 / -800			+800 / -800			+800 / -800			+800 / -800		
Boom Angle (min / max)	deg	0 / 60			0 / 60			0 / 60			0 / 60		

\* option

# High Capacity Intermodal and Bulk Handling REACH STACKERS

LIFT EXTREMELY HEAVY LOADS  
AT VERY DISTANT CENTRES  
OF GRAVITIES



The CVS FERRARI High Capacity Reach Stackers provide additional lifting power and range of reach for the more demanding environments. These models offer reinforced structures and then in some cases standard front stabilizers and longer wheel base thus allowing the handling of **very heavy loads at distant centres of gravity**.

By winning dozens of “Non-conventional Heavy Load Handling” challenges, these CVS FERRARI breed of “bison” Reach Stackers have proven their **extraordinary lift, carry abilities**. When equipped with the regular “**inboard stabilizers**” or – for some models – with the unique “**outboard mounted stabilizers**” options, these machine are capable of performing the most severe **bottom pick/second rail handling** and **negative lift container handling** applications such as loading and unloading of barges.

The CVS FERRARI High Capacity Reach Stacker is ideal for “second rail application” and **pick and carry of heavy and bulky cargo** where required. This equipment family safely and efficiently handles heavy and bulky products such as steel slabs, pipe, windmill components and pre-formed concrete structures.

CVS FERRARI offers a variety of attachments that are designed to make our Reach Stackers efficiently **handle virtually any kind of load**; these include and are not limited to:

- Slab Clamps
- Slab Magnets
- Pipe Clamps
- Vacuum Attachments
- Rotating or Coil Rams
- Coil Clamps and Flippers
- Winched or Fixed Hooks
- Beams

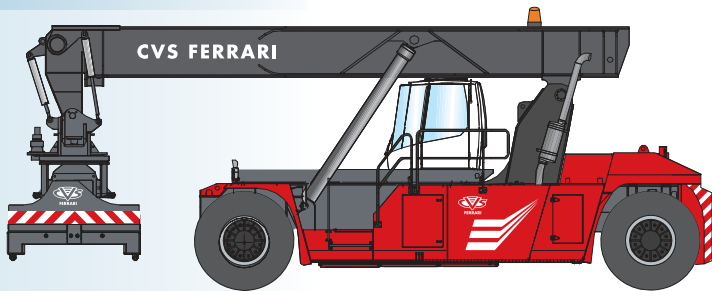
For applications where visibility is restricted, the machine can be equipped with a hydraulically driven sliding cabin (available for all Reach Stacker models), and/or a hydraulic elevating side mount cabin.

# MODELS

**F500.RS6**

**F500.RS7**

**F500.RS8**



## TECHNICAL SPECIFICATIONS

Make		CVS FERRARI								
Truck Type		High Capacity Intermodal and Bulk Handling Reach Stacker								
Model		F500.RS6			F500.RS7			F500.RS8		
Attachment type		20'/40' Top Pick Spreader								
Load capacity on tires at 1st/2nd/3rd row (no stab)	kg	46.000	39.000	21.000	46.000	44.000	25.000	46.000	46.000	28.000
Load centre distance at 1st/2nd/3rd row	mm	1.780	3.850	6.400	1.780	3.850	6.400	1.780	3.850	6.400
Load capacity on stabilizers at 1st/2nd/3rd row *	kg	46.000	43.000	27.000	46.000	46.000	33.000	46.000	46.000	38.000
Load centre to front face of the truck.	mm	930			930			930		
Lifting height under twist-lock	mm	16.200			16.200			16.200		
Stacking Ability - containers		1 over 5 = 6 x 8'6"			1 over 5 = 6 x 8'6"			1 over 5 = 6 x 8'6"		
Wheelbase	mm	6.500			7.500			8.000		
Service weight - unladen	kg	80.700			84.000			87.000		
EU Stage 3a Engine make&model (Rated Power)	(kW)	CUMMINS QSM11 (250)								
EU Stage 4 Engine make&model (Rated Power)	(kW)	SCANIA DC13 (257) or CUMMINS QSG12 (250)								
Transmission make&model		DANA TE32								
Service Brakes		Wet Disk on front wheels								
Tires size		18.00-33			18.00-33			18.00-33		
Overall width - excluding Spreader	mm	4.185			4.185			4.185		
Overall length - including spreader	mm	12.000			12.000			12.000		
Overall height	mm	4.900			4.800			4.800		
Seat height	mm	2.820			2.820			2.820		
Spreader rotation - clocwise/anticlockwise	deg	-105 / +195			-105 / +195			-105 / +195		
Spreader side-shift - left / right	mm	+800 / -800			+800 / -800			+800 / -800		
Boom Angle (min / max)	deg	0 / 60			0 / 60			0 / 60		

\* option

# Empty Container Handling REACH STACKERS

THE BEST POSSIBLE ANSWER  
TO SPECIAL EMPTY CONTAINER  
HANDLING TASKS



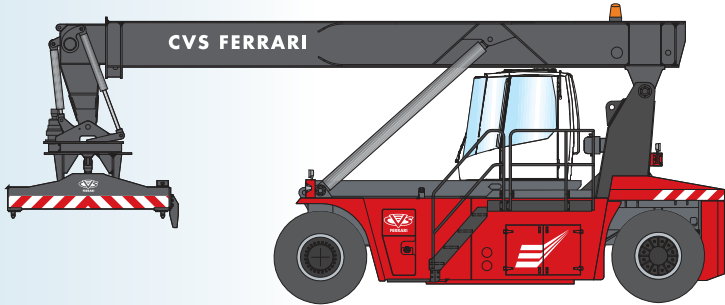
The CVS FERRARI Reach Stacker family is completed with a range of machines dedicated to empty container handling. They are a **favorite solution** for many empty container terminal operators.

Working in demanding applications where doorways or overhead wires must be negotiated, the empty reach stacker becomes an invaluable tool in your fleet. With the ability to unload **second rail from one side** reaching over a first rail line saves travel time, tire wear and extra property development. Its ability to be **selective in the stack** saves many moves in the course of a day.

Boasting the highest capacity in the industry, our ERS provide a massive **12 Ton lift capacity** in the first row that enhances the applications this machine can work out. Ours is also the sole ECH Reach Stackers capable of **side pick and even double stack of empty 20' and 40' containers**. Hydraulic powered pile slope is available on **top and side pick attachments**.

The CVS FERRARI Empty Container Handling Reach Stackers use the same quality hydraulic and electronic components used on the larger size Reach Stacker ranges, such that their **reliability, speed of response and economy of run** lives up to the fame of their larger family members.

Our full range of Reach Stackers come standard with **manually sliding cab** providing ease of access to the engine and transmission compartments for maintenance and all the CVS FERRARI Reach Stackers come with a very useful service bay that enables the change of filters and lubricants from a comfortable standing position.



## TECHNICAL SPECIFICATIONS

Make	CVS FERRARI			
Truck Type	Empty Container Handling Reach Stacker			
Model	<b>RSE</b>			
Attachment type	20'/40' Top Pick Spreader			
Load capacity on tires at 1st/2nd/3rd row	kg	12.000	10.000	5.000
Load centre distance at 1st/2nd/3rd row	mm	1.780	3.850	6.400
Load centre to front face of the truck.	mm	735		
Lifting height under twist-lock [hook]	mm	15.875		
Stacking Ability - containers	1 over 5 = 6 x 8'6"			
Wheelbase	mm	5.100		
Service weight - unladen	Kg	41.700		
EU Stage 3a Engine make&model (Rated Power)	(kW)	CUMMINS QSB6.7 (164)		
EU Stage 4 Engine make&model (Rated Power)	(kW)	VOLVO TAD 871 VE (185)		
Transmission make&model		DANA TE17		
Service Brakes		Wet Disk on front wheels		
Tires size		14.00-24		
Overall width - excluding Spreader	mm	4.143		
Overall length - including spreader	mm	10.820		
Overall height	mm	4.275		
Seat height	mm	2.400		
Spreader rotation - clocwise/anticlockwise	deg	-95 / +195		
Spreader side-shift - left / right	mm	800 / 800		
Boom Angle (min / max)	deg	0 / 65		

# Empty Container Handling LIFT TRUCKS

HIGH CAPACITIES  
AND LIFTING HEIGHTS  
COUPLED WITH  
UNPRECEDENTED  
SAFETY



CVS FERRARI offers a complete range of dedicated Empty Container Handling Lift Trucks. In the CVS FERRARI format this mature product concept has been expanded offering high capacities and lifting heights coupled with high lifting speeds and **unprecedented safety**.

Our ECH range includes **6, 7 and 8 high "8'6"** container stacking ability models with a single box side pick spreader and **up to "2 over 7"** model with a Double Stack spreader.

The high intrinsic **longitudinal and lateral stability** of our machines is the first safety feature of the trucks. We compliment this by equipping every model with a standard Load-Moment-Indicator/Limiter. This precise device senses/limits the load moment, monitoring the weight, size and lift height of each move by automatically restricting the drive, tilt and lift. This unique device that only CVS FERRARI provides on this type of machinery, is just one of the several features of the **on-board computer system** with which these machines are equipped.

**High or low mounted and even a hydraulic tilting cab** option are available to suit every driver's habit or visibility requirement.

Sisters of the Empty Container Handling Reach Stackers the CVS FERRARI "masted" empty handlers fit the same key components of the boom type empty container machines. This accomplishes great parts standardization for the mixed fleet customers as well as for the supporting service network.



# MODELS

**ECH10.6**

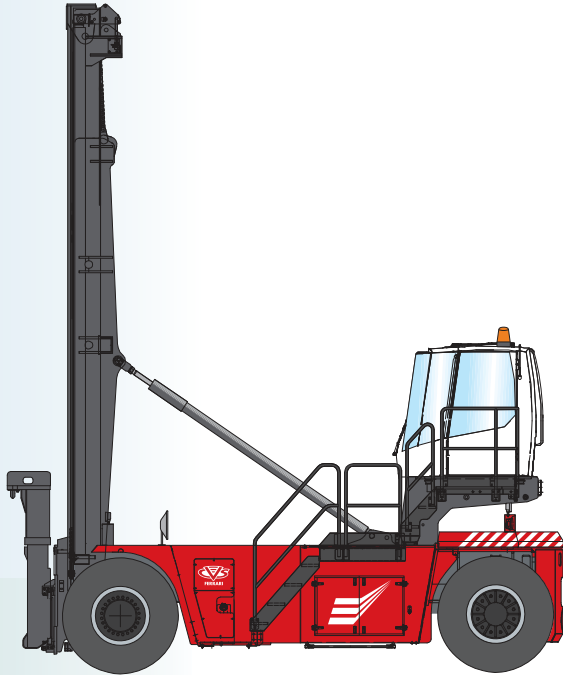
**ECH10.7**

**ECH10.8**

**ECH10.6DS**

**ECH10.7DS**

**ECH10.8DS**



# TECHNICAL SPECIFICATIONS

Make		CVS FERRARI					
Truck Type		Empty Container Handling Lift Truck					
Model		ECH10.6	ECH10.7	ECH10.8	ECH10.6DS	ECH10.7DS	ECH10.8DS
Attachment type		20'/40' Side Pick Spreader - Single Stack type			20'/40' Side Pick Spreader - Double Stack type		
Capacity on tires	kg	10.000	10.000	10.000	10.000	10.000	10.000
Load centre distance	mm	1.200	1.200	1.200	1.200	1.200	1.200
Load centre to centre of front axle	mm	2.425	2.425	2.425	2.425	2.425	2.425
Lifting height under twist-lock [hook]	mm	2.280	2.280	2.280	2.280	2.280	2.280
Stacking Ability - containers		1 over 5 = 6 x 8'6"	1 over 6 = 7 x 8'6"	1 over 7 = 8 x 8'6"	2 over 5 = 7 x 8'6"	2 over 6 = 8 x 8'6"	2 over 7 = 9 x 8'6"
Wheelbase	mm	4.750	4.750	4.750	4.750	4.750	4.750
Service weight - unladen	Kg	39.500	40.700	41.800	43.200	44.200	45.200
EU Stage 3a Engine make&model (Rated Power)	(kW)	CUMMINS QSB6.7 (164)					
EU Stage 4 Engine make&model (Rated Power)	(kW)	VOLVO TAD 871 VE (185)					
Transmission make&model		DANA TE17					
Service Brakes		Wet disc on front wheels					
Tires size		14.00-24	14.00-24	14.00-24	14.00-24	14.00-24	14.00-24
Overall width - excluding Spreader	mm	4.143	4.143	4.143	4.143	4.143	4.143
Overall length - including Spreader	mm	6.860	6.860	6.860	6.860	6.860	6.860
Overall height - Mast lowered	mm	9.350	10.650	11.950	9.350	10.650	11.950
Seat height	mm	3.040	3.040	3.040	3.040	3.040	3.040
Mast Tilt, forward / backward	deg	3 / 5	3 / 5	3 / 5	3 / 5	3 / 5	3 / 5
Spreader side-shift	mm	+600 / -600	+600 / -600	+600 / -600	+600 / -600	+600 / -600	+600 / -600
Spreader hydraulic (mechanic) pile slope	deg	(3 / 3)	(3 / 3)	(3 / 3)	3 / 3	3 / 3	3 / 3

# HYBRID POWERED Empty Container Handling LIFT TRUCKS



THE GAME CHANGING TECHNOLOGY IN CONTAINER HANDLING LIFTRUCKS THAT NEARLY HALVES THE TOTAL COST OF OWNERSHIP

THE GAME CHANGER



With CVS FERRARI introducing HY-LIFT a new era has begun for container handling liftrucks.

The redundancy of power hydraulics and their replacement with electric powered winches directly mounted on the mast, allied to several other new and re-invented energy saving and power recovery technologies, has made the unthinkable a reality.

The validated and unconditional slashing of the Total Cost of Ownership and of the Environmental Impact of these machine is now a fact, thanks to this unique equipment destined to change both the life of the users and the course of the materials handling industry. HY-LIFT transforms otherwise wasted energy into major cash savings and borderline container handling businesses into sustainable, profitable ones.

It forever eliminates maintenance cost icebergs and changes the focus from buying for less into making the business profitable. HY-LIFT is the GAME CHANGER of the container handling liftrucks sector.

# MODELS

**HY08.6**

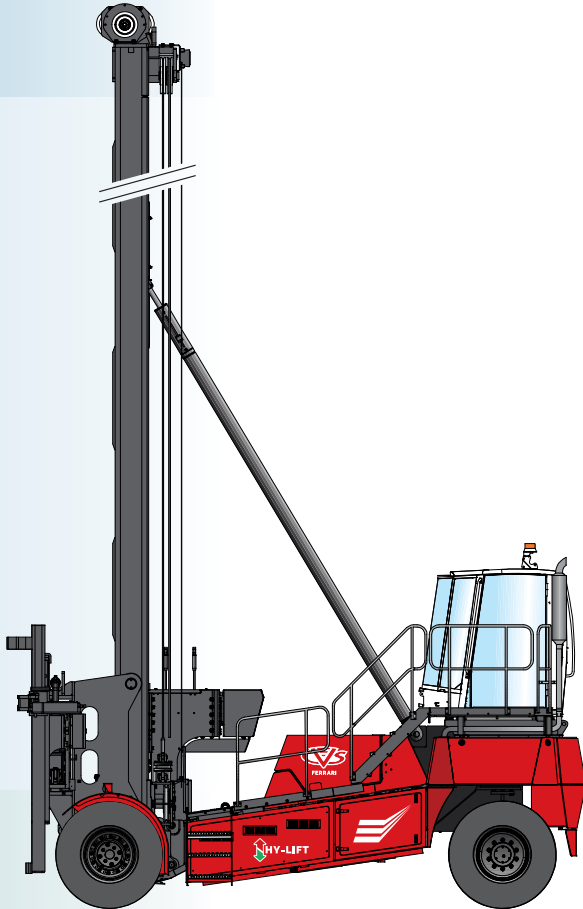
**HY08.6DS**

**HY10.6DS**

**HY08.8**

**HY08.8DS**

**HY10.8DS**



# TECHNICAL SPECIFICATIONS

Make		CVS FERRARI					
Truck Type		Hybrid Empty Container Handling Lift Truck					
Model		HY08.6	HY08.8	HY08.6DS	HY08.8DS	HY10.6DS	HY10.8DS
Attachment type		20'/40' Side Pick Spreader - Single Stack type			20'/40' Side Pick Spreader - Double Stack type		
Capacity on tires	kg	8.000	8.000	8.000	8.000	10.000	10.000
Load centre distance	mm	1.200	1.200	1.200	1.200	1.200	1.200
Load centre to centre of front axle	mm	2.475	2.475	2.175	2.175	2.175	2.175
Lifting height under twist-lock [hook]	mm	2280	2280	2280	2280	2280	2280
Stacking Ability - containers		1 over 5 = 6 x 8'6"	1 over 7 = 8 x 8'6"	2 over 5 = 7 x 8'6"	2 over 7 = 9 x 8'6"	2 over 5 = 7 x 8'6"	2 over 7 = 9 x 8'6"
Wheelbase	mm	4.560	4.560	4.560	4.560	4.560	4.560
Service weight - unladen	Kg	30.900	36.500	31.880	37.860	33.380	38.860
EU Stage 3a Engine make&model (Rated Power)	(kW)	KOHLER 3404 TCR SCR (90kW)					
Transmission		2 x electric motors - one at each wheel hub on drive axle (65 kW each motor)					
Lifting mechanism		winch and rope system with 2 x electric motors - one per each lifting winch (65 kW each motor)					
Service Brakes		Electric brake + Wet disc on front wheels					
Tires size		12.00-24	12.00-25	12.00-26	12.00-27	12.00-28	12.00-29
Overall width - excluding Spreader	mm	4.430	4.430	4.430	4.430	4.430	4.430
Overall length - including Spreader	mm	6.680	6.680	6.430	6.430	6.430	6.430
Overall height - Mast lowered	mm	16.515	12.780	16.515	12.780	16.515	12.780
Seat height	mm	3.040	3.040	3.040	3.040	3.040	3.040
Mast Tilt, forward / backward	deg	3 / 3	3 / 3	3 / 3	3 / 3	3 / 3	3 / 3
Spreader side-shift		+600 / -600	+600 / -600	+350 / -350	+350 / -350	+350 / -350	+350 / -350
Spreader hydraulic (mechanic) pile slope	deg	(3 / 3)	(3 / 3)	3 / 3 + (2 / 2)	3 / 3 + (2 / 2)	3 / 3 + (2 / 2)	3 / 3 + (2 / 2)

# Laden Container Handling LIFT TRUCKS

A NEW GENERATION OF  
TOPLOADERS  
FEATURING FUNCTIONS  
NEVER SEEN BEFORE



CVS FERRARI also offers to its public a series of Loaded Container Handling "Liftrucks" that have no equal in the marketplace. Featuring **functions that have never been seen before**, these "Toploaders" are bringing new life to this product concept.

Our line of Laden Container Handling Lift Trucks is offered in two basic chassis and three main stacking versions, capable of **lifting 4x9'6", 5x9'6" and 6x9'6" high**. A three stages "RoRo" application mast is available for up to 4x9'6" high stacking for the short wheelbase chassis model of the range.

Our Toploaders feature the same high efficiency and fast response electro-hydraulics as our Reach Stackers, and the same **powerful on-board computer system** that supervises their operational safety, sub-systems functionality and optimization of use. Benefiting from the components standardization with the heavy boom trucks, the CVS FERRARI mastered laden container handlers are able to offer new and unique features never seen before.

Among these is the **Load Moment Indicator and Limiter**. This safety device takes into consideration the effect of the mast tilt and of the spreader outreach on the static and dynamic stability of the machine. Based on that data it progressively prevents dangerous maneuvers as the truck stability reserve is reducing. Another key and exclusive feature is the safety concerned

**Spreader Individual Twist-Lock Status** Information which shows the driver if any of the twist-locks are not correctly seated or locked. Other new features include the "Stacking Height Indicator" and the "Driving Configuration Optimizer" which reduces tire wear and increases driving stability.

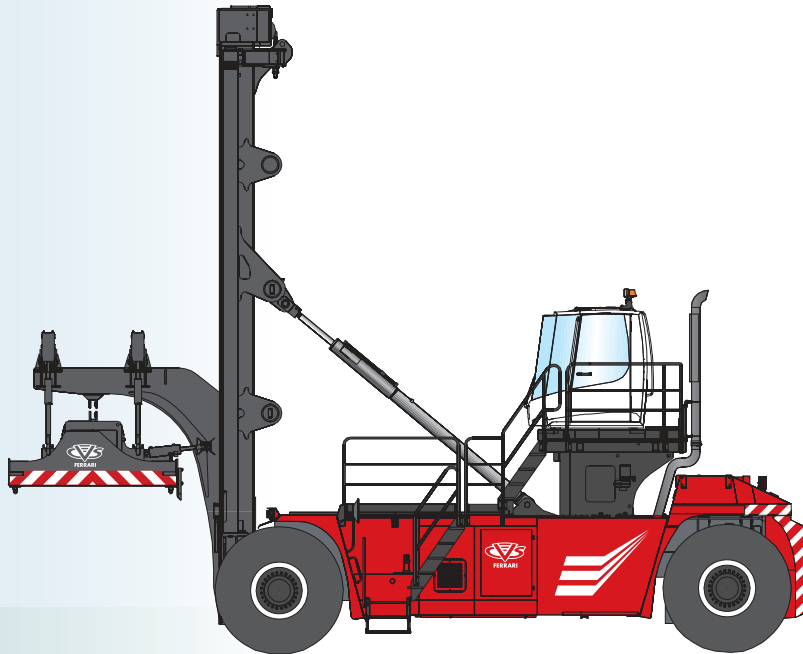
Equipped with **Variable Displacement Piston Pumps**, this range of trucks is the most fuel efficient in its class and by far outscores in the economic value of operation versus the competitors' models, which still adopt antiquated technology resulting in poor fuel efficiency and hydraulic oil polluting gear pumps that have a very limited service life. Our **pressurized oil tank** and separated brake and hydraulic oil circuits/cooling systems are just another exclusive feature that will lower the cost of ownership, reduce downtime and extend the service life of these fantastic machineries.

# MODELS

**FH45.4**

**FH50.5**

**FH50.6**



## TECHNICAL SPECIFICATIONS

Make		CVS FERRARI		
Truck Type		Laden Container Handling Lift Truck		
Model		FH45.4	FH50.5	FH50.6
Attachment type		20'/40' Top Pick Spreader		
Attachment mounting		on inverted forks	gantry mount	gantry mount
Capacity on tires	kg	35.000	40.000	40.000
Load centre distance (+/- out/in rach)	mm	1.300 (+/- 100)	1.700 (+/- 120)	1.700 (+/- 120)
Load centre to centre of front axle	mm	2.480	2.616	2.616
Lifting height under twist-lock	mm	9.000	15.000	17.900
Stacking Ability - containers		1 over 3 = 4 x 9'6"	1 over 4 = 5 x 9'6"	1 over 5 = 6 x 9'6"
Wheelbase	mm	5.750	6.500	6.500
Service weight - unladen	Kg	68.800	73.000	76.000
EU Stage 3a Engine make&model (Rated Power)	(kW)	CUMMINS QSM11 (250)		
EU Stage 4 Engine make&model (Rated Power)	(kW)	SCANIA DC13 (257) or CUMMINS QSG12 (250)		
Transmission make&model		DANA TE32		
Service Brakes		Wet Disc on front wheels		
Tires size		18.00-25	18.00-25	18.00-33
Overall width	mm	4.185	4.700	4.700
Overall length (including spreader)	mm	10.755	11.460	11.460
Overall height (mast lowered)	mm	8.650	9.100	10.600
Seat height	mm	2.400	2.900	2.900
Mast Tilt	deg	3 / 5	3 / 5	3 / 5
Spreader side-shift	mm	+ 400 / - 400	+ 300 / - 300	+ 300 / - 300
Spreader hydraulic (mechanic) pile slope	deg	2 / 2	4 / 4	4 / 4

# Heavy Duty Fork LIFT TRUCKS



STAND ANY TECHNICAL COMPARISON  
AGAINST ANY COMPETING  
EQUIPMENT

CVS FERRARI produces a complete range of Heavy Duty Fork Lift Trucks with capacities ranging from **18,000 to 48,000 Kg.**

**Standardization of components** and features with our world class Container Handling machines creates General Purpose Liftrucks in a class of their own. Many of our standard features would be options if available from other manufacturers.

These include:

- Variable displacement piston pumps
- Load sensing distribution valves
- Multi-function capacitive and contactless joystick control
- Load moment indicator
- Load scale
- Can-bus electrics
- Double air filtration system
- Hydraulic side-shift and fork-positioning standard
- "Full visibility" mast design
- On-board computer systems and systems diagnostic

The trucks are designed with **ease of access** to the engine and transmission compartments and come with a caretakers' beloved service bay compartment, grouping all the replaceable filters and fluid fillers in a easy reach side of the body lodged compartment. The spacious and luxurious **ARIA cabin** of the CVS FERRARI container handlers is also available for this product family.

The CVS FERRARI range is offered with a wide choice of attachments for a **multitude of heavy load handling needs.**

- Wide carriages
- Kissing forks
- Mast integrated or "clip-on"
- Coil rams
- Paper, log or steel clamps
- Load retainers

Special and purposely developed magnets and vacuum lifting attachments are also some of the many tools with which it is possible to dress these sturdy and reliable workhorses.

# MODELS

**FH18**

**FH20**

**FH25**

**FH28**

**FH32**

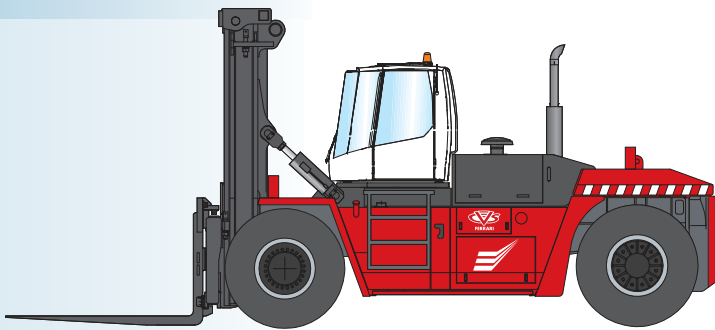
**FH33**

**FH37**

**FH42**

**FH45**

**FH48**



## TECHNICAL SPECIFICATIONS

Make		CVS FERRARI										
Truck Type		Heavy Duty Fork Lift Truck										
Model		FH18	FH20	FH25	FH28	FH32	FH33	FH37	FH42	FH45	FH48	
Attachment type		Forks	Forks	Forks	Forks	Forks	Forks	Forks	Forks	Forks	Forks	
Load capacity on tires at 1s row	kg	18.000	20.000	25.000	28.000	32.000	33.000	37.000	42.000	45.000	48.000	
Load centre distance (+/- out/in rach)	mm	1.200										
Load centre to centre of front axle	mm	2.252		2.290	2.365			2.505				
Standard lifting height on forks	mm	4.000					7.000					
Max.avaialbe lift height on forks (option)							10.000					
Wheelbase	mm	4.000		4.250	4.500	4.750		5.500		5.750		
Service weight (unladen)	Kg	30.000	31.400	35.500	41.350	42.600	43.500	51.000	58.000	61.500	63.500	
EU Stage 3a Engine make&model (Rated Power)	(kW)	CUMMINS QSB 6.7 (164)			CUMMINS QSB 6.7 (194)			CUMMINS QSM 11 (250)				
EU Stage 4 Engine make&model (Rated Power)	(kW)	VOLVO TAD 572 VE (160)			VOLVO TAD 871 VE (185)			CUMMINS QSG12 (250)				
Transmission make&model		ZF 3WG 191						DANA TE32				
Service Brakes		Wet Disc Brakes on front wheels										
Tires size		14.00-24			16.00-25			18.00-25				
Overall width	mm	3.000			3.450			4.160				
Overall length (including forks)	mm	8.292	8.580	9.065	9.315		10.205		10.455			
Overall height (mast lowered)	mm	3.900			4.100			4.750				
Seat height	mm	2.310			2.380			2.400				
Mast Tilt, forward / backward	deg	5 / 10										
Forks side-shift	mm	+480 / -480						+400 / -400				
Forks size (L x W x T)	deg	2400x250x100	2400x250x105	2400x300x110			2400x310x135					

# All Wheel Drive Fork LIFT TRUCKS

IDEAL TO HANDLE LOADS ON  
VERY ROUGH, SOFT, MUDDY  
OR ICY GROUNDS



Heavy loads to be handled on very rough terrains or icy and snowy operation theaters? The CVS FERRARI All Wheel Drive Heavy Duty Fork Lifts can manage that and more.

With capacities ranging from 16 to 25 Ton at 1200 mm load centre, this product line is the ideal solution for businesses that have to mobilize heavy goods in very critical ground conditions. Log or Pipe Clamps, Load Retainers and Hydraulic Slewing Carriages are available options that enhance the efficiency of these trucks in some of their most popular applications.

Furthermore, the standard high mounted engine and the also available option of the cold weather package (-40deg), make these machines very suitable for soft and muddy yards as well as for extreme rainfall and snowfall environments.



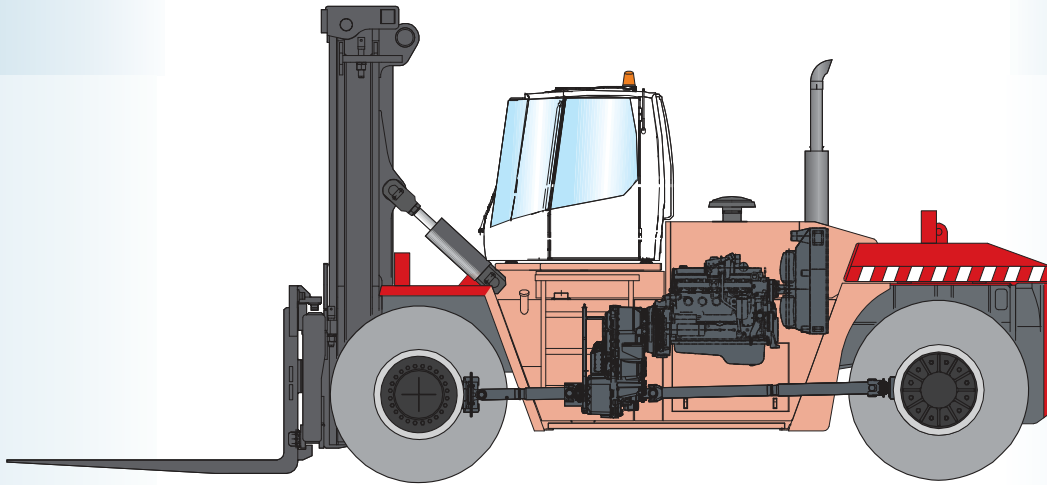
# MODELS

**FH16 4x4**

**FH18 4x4**

**FH20 4x4**

**FH25 4x4**



# TECHNICAL SPECIFICATIONS

Make		CVS FERRARI			
Truck Type		All Wheel Drive Fork Lift Trucks			
Model		FH16 4x4	FH18 4x4	FH20 4x4	FH25 4x4
Attachment type		Forks (On optional Hydraulic Swivelling Carriage)			
Load capacity on tires	kg	16.000	18.000	20.000	25.000
Load centre distance ( +/- out/in rach)	mm	1.200			
Load centre to centre of front axle	mm	2.250	2.550	2.550	2.550
Standard lifting height on forks	mm	4.600			
Max.avaialbe lift height on forks (option)	mm	7.000			
Wheelbase	mm	4.000			
Service weight (unladen)	Kg	33.600	35.200	37.000	37.000
EU Stage 3a Engine make&model (Rated Power)	(kW)	Cummins QSB 6.7 (164)			
EU Stage 4 Engine make&model (Rated Power)	(kW)	Cummins QSB 6.7 (164)			
Transmission make&model		ZF 3WG190			
Service Brakes		Wet Disc on front wheels + Dry Drum on rear wheels			
Tires size		14.00-24			
Overall width	mm	3.000			
Overall length (including forks)	mm	8.630			
Overall height (mast lowered)	mm	4.600			
Seat height	mm	2.550			
Mast Tilt, forward / backward		5 / 10			
Forks side-shift		+480 / -480			
Forks size (L x W x T)		2440x250x100	2440x250x100	2440x250x100	2440x260x105

# S I D E L O A D E R S



SIDELOADERS

WE HAVE GOT ALL THE SOLUTIONS  
FOR ANY LONG MATERIAL  
HANDLING REQUIREMENT



The world renowned BP Side Loaders are now part of the Product Range of CVS FERRARI. With this prestigious product range CVS FERRARI enhances its offering as specialized material handling equipment provider and ideal business partner for any heavy and or long material handling solution seeker.

Our Sideloader line includes fourteen product families, with capacities ranging from 2 to 50 Ton, three or four wheel design, two ways, four ways or multidirectional concepts and diesel, LPG or electric power choices.

We also have a very wide portfolio of in-house developed and built attachments that we can combine with multiple mast and deck width options, in a matrix of innumerable product configurations that makes our offering the most extensive and complete one on the market.

In nearly sixty years of activity, BP handling Technologies developed and delivered sideloaders in virtually every possible application where these machines are used. Lumber of any format, steel bars, pipes, plates and billets, steel constructions, concrete and pre-casted materials, but also boats, containers and more. Our sideloaders have successfully handled and continue to handle them all and at the four corners of the world.

Through continuous product innovation and incessant R&D development the BP sideloader brand has become over many decades the synonymous of reliable answer to simple or complex handling needs. And now this unique design and engineering ability can count on the CVS FERRARI worldwide support network, which furtherly enhances the active and residual value of our sideloaders.

# RANGES

**HT**

**SLD**

**SHD**

**SLL**

**SHL**

**HT-EL**

**SLE**

**SHE**

**QLT**

**QLT-G**

**QLT-EL**

**MSE**

**MLT**

**PK**



## SIDELOADER PRODUCT LINE RANGES AND MODELS

Type	Wheels	Power	Range	Capacity													
				2 Ton	2.5 Ton	3 Ton	3.5 Ton	4 Ton	4.5 Ton	5 Ton	6 Ton	7 Ton	8 Ton	10 Ton	12 - 50 Ton		
2-WAY	4	Diesel	HT												HT10	HT12- HT50	
			SLD			SLD30		SLD40			SLD50	SLD60					
			SHD									SHD60	SHD70	SHD80			
		LPG	SLL			SLL30		SLL40			SLL50	SLL60					
			SHL									SHL60	SHL70	SHL80			
		Electric	HT-EL	HT2EL	HT2.5EL												
			SLE			SLE30		SLE40			SLE50	SLE60					
		SHE								SHE60	SHE70	SHE80					
4-WAY	3	Diesel	QLT					QLT4	QLT4.5	QLT5	QLT6	QLT7	QLT8	QLT10			
			QLT-G					QLT4G	QLT4.5G	QLT5G	QLT6G	QLT7G	QLT8G	QLT10G			
		Electric	QLT-EL											QLT8EL	QLT10EL		
	4	Electric	MSE			MSE30	MSE35	MSE40	MSE45	MSE50	MSE60						
			MLT	MLT2	MLT2.5	MLT3	MLT3.5	MLT4	MLT4.5	MLT5							
			PK	PK20	PK25	PK30	PK35	PK40									



**FERRARI**

# PRODUCT RANGE OVERVIEW



www.badini.com

Printed in may 2018

CVS FERRARI S.P.A. reserves the right to change images and the published technical information without prior notice



**FERRARI**

CVS FERRARI S.P.A.  
VIA EMILIA LOC FAVORITA  
29010 ROVELETO DI CADEO (PC) ITALY  
Tel. +39.0523.503511  
www.cvsferrari.com



**FERRARI**  
LIFTRUCKS



SIDELoadERS

<https://forklift-manuals.jimdofree.com>