

LONKING

Efficiency Rules the Future

LG20D(T)/LG30D(T)/LG35D(T) Internal Combustion Forklift



Distributed by

Benteng Cemerlang SDN BHD (290658-M)

A member of YonMing Group

89 & 90, Taman City, Jalan Kuching 51200 Kuala Lumpur

Contact number: 03-6251 7860 Fax number: 03-6251 2931 Email: ymhq@yonming.com

Website: www.yonming.com



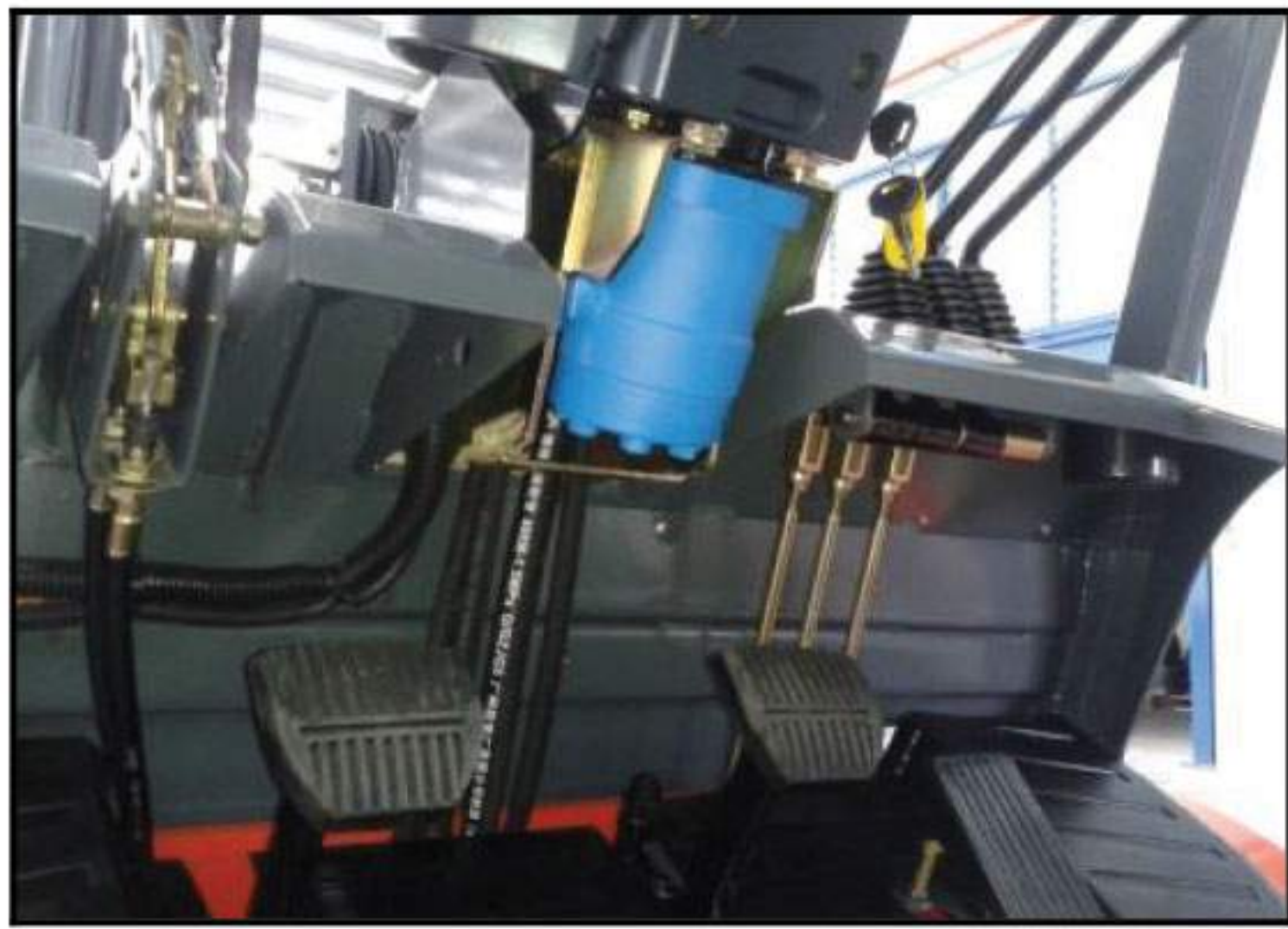
Integral Cabin Frame



Intensive Overhead Guard



Rear Reflector



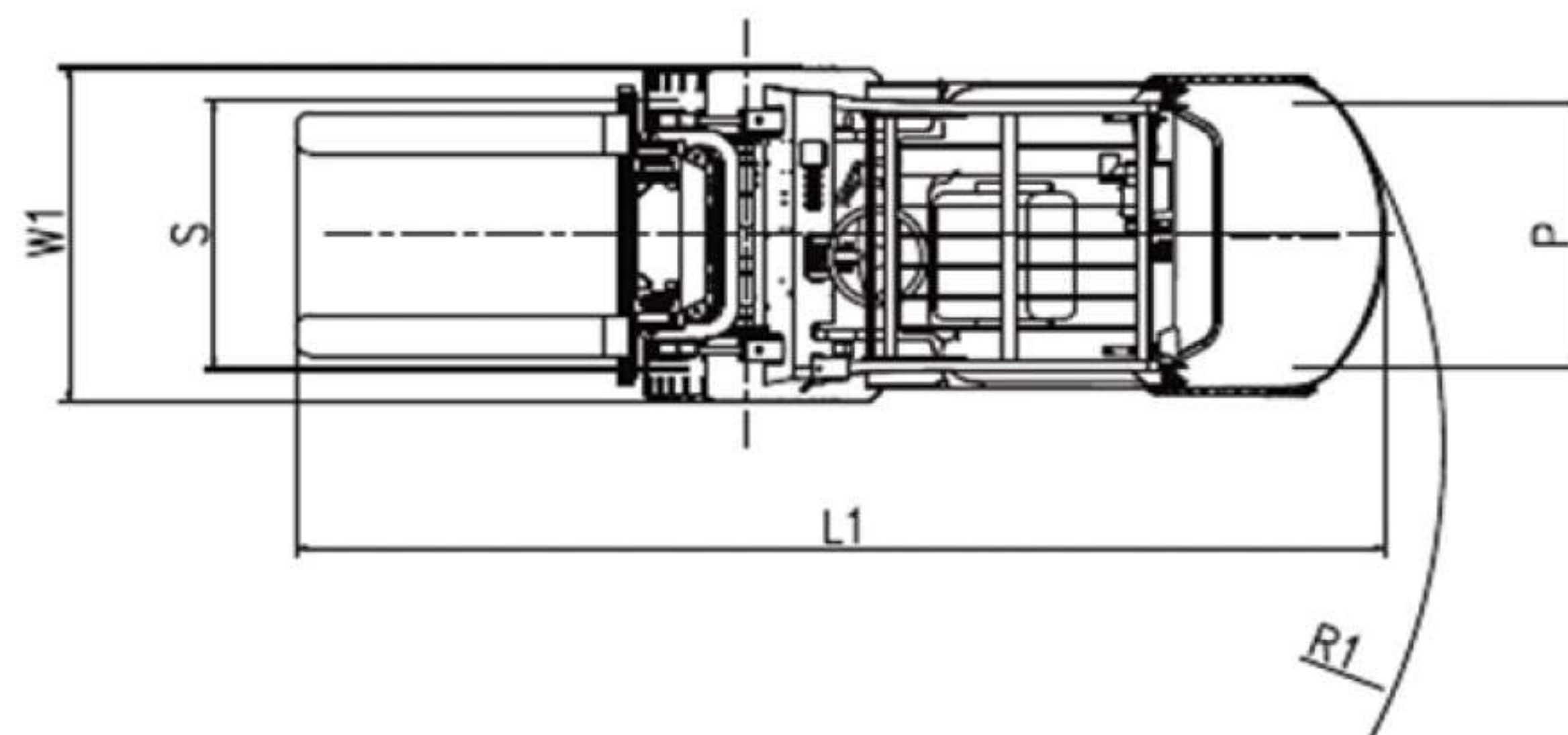
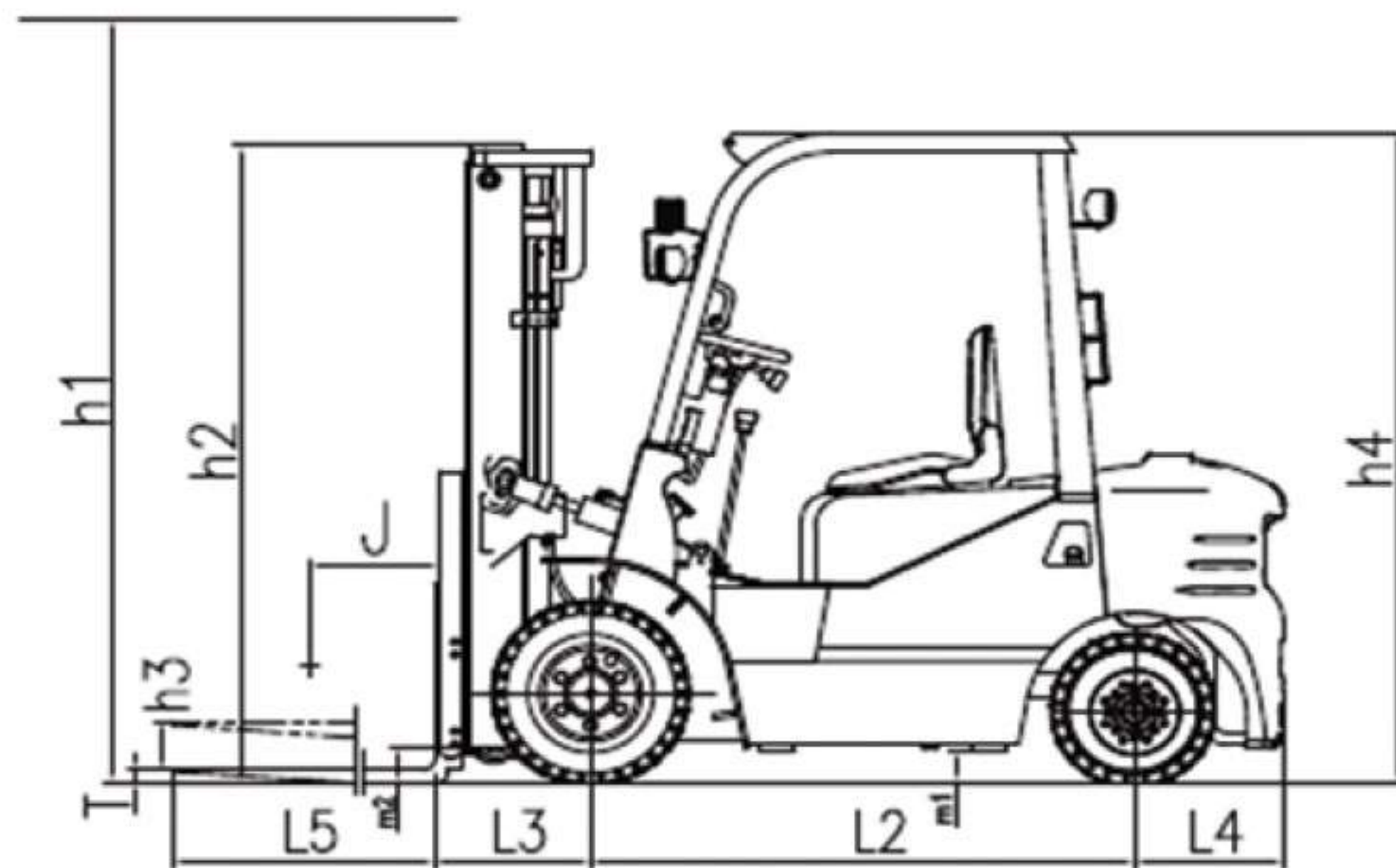
Efficient Power Steering



Speed Limit Valve



High Mounted Lamp



Main Specifications:-

Model			LG20D(T)	LG30D(T)	LG35D(T)
Engine Model			C490BPG		
Load Capacity		kg	2000	3000	3500
Load Center		mm	500	500	500
Overall Length (to fork face)		L6 mm	2598	2778	2778
Overall Width		W1 mm	1165	1250	1250
Overall Height (overhead guard)		H4 mm	2130	2150	2150
Turning Radius		R1 mm	2300	2520	2530

Engine Specifications:-:-

Model			LG20D(T)	LG30D(T)	LG35D(T)
Engine			Xinchai C490BPG, 36.8 kW / 2650 rpm		
Rated Power		kW / rpm	36.8 / 2650		
Max. Torque		Nm / rpm	156 / 1800		

ASSOCIATE COMPANY

Headquarters: Kuala Lumpur 03-6251 9448

Central
Klang 03-3166 3880
Rawang 03-6091 7161
Westport 03-3167 3880

East
Kota Kinabalu 088-437 373
Miri 085-472 373

Northern
Alor Setar 04-7772 333
Butterworth 04-3313 533
Taiping 05-8472 332
Ipoh 05-2916 663
Bukit Mertajam 04-5026 666

Southern
Melaka 06-3362 668
Skudai 07-5576 529
Pasir Gudang 07-2561 891
Nilai 06-7971 666
Ayer Hitam 018-6240 558

East Coast
Kuantan 09-5683 788
Kuala Terengganu 09-6197 188
Gebeng 09-5838 688
Kota Bharu 09-7666 511