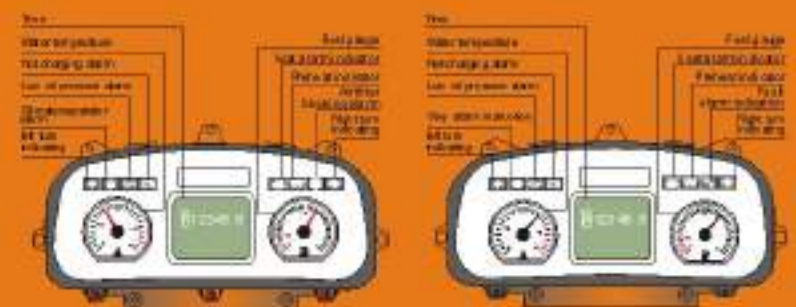


Reliable special designed instrument

The reliable special instrument gives a complete display of the vital information like operation status, fault detector, etc. It ensures the operator predominates the vehicle's adjustment, stability and movement.

- ✓ Stepping motor core
- ✓ Programmable LCD
- ✓ Electrical safety standard meets CE requirements



8-10 ton
ENGINE POWERED
FORKLIFT

STANDARD EQUIPMENT

- Hour meter
- Horn
- Oil pressure alarm
- Three-point control valve
- Power steering
- Rubber pedal pad
- Backrest
- Back-view mirror
- Front/rear lights
- Transmission oil filter
- Engine flameout device
- Parking brake cable
- Water temperature meter
- Attached tools
- Rear cross lights
- Reversing buzzer
- Self-locking tilt valve
- Tilt safe stable steering column

OPTIONS

- Cab
- Rotating warning light
- Vertical exhaust
- Neutral switch
- Double air filter
- Suspension seat
- Extended fork sleeve
- Heater
- Skid tire
- Widening fork carriage
- Windshield
- Purifying muffler
- Fire muffler
- Fire extinguisher
- Rear lights
- Air conditioning (some models)
- Electro-hydraulic switch
- CPS driving control
- Torque converter oil temperature meter

- Tilt cylinder sleeve
- Blowing cylinder sleeve
- User-specified color
- Optional attachments

Manufacturer: **ANHUI HELI CO., LTD.**

N.D. 008 Fangqiang Street, Economic Development Zone, Hefei, P.R. China

TEL: (86-551)-63638458

FAX: (86-551)-63638966

WEBSITE: <http://www.chlforlift.com>

E-MAIL: cn@chlforlift.com

AUTHORIZED DEALER

* Details of specifications and equipment are based on information available at the time of printing and may change without notice.

© 2013 Heli copyright

Catalog No.2013.10 HELI Print



Reliable forklift

A reliable Drive system



As the most reliable transmission system produced by HELI, it has been validated by over twenty years' experience in the world market. Meanwhile, various ancillary devices of the power system ensure the reliability effectively.

- ✓ Durable transmission
- ✓ Equipped with the intake system
- ✓ Standard distribution of air filter pressure alarm device
- ✓ Automatic engine preheating system
- ✓ Cyclone Air Filter
- ✓ Lost foam casting
- ✓ Various high-power engines are available for customers' optional choices

A reliable mast



The high internal-qualified mast confirmedly ensures the safety of the operator, truck and cargo. Standard configuration of the wide-view mast enlarges operators' view effectively, and ensures loading/unloading operations more

- ✓ Using the best German steel material for triplex mast
- ✓ The frame of mast has more strength basing on the enlarged channel interface.

A reliable hydraulic system

HELI has the most professional R&D base of cylinders, where we take advantage of the advanced manufacturing technologies and detecting means to ensure the reliability of all cylinders of the hydraulic system.

- ✓ Standard tilt cylinder by HELI
- ✓ Standard lift cylinder by HELI
- ✓ Standard steering cylinder by HELI
- ✓ Self-locking tilt cylinder
- ✓ Standard hydraulic circuit filter
- ✓ Speed buffer device in lifting system



A reliable steering system

The steering system with new technologies not only provides a smoother swerve and faster positioning & steering, but also effectively ensures operators' safety.



- ✓ Full hydraulic power steering
- ✓ Smaller turning radius
- ✓ Wears ble tire

Comfortable operation space

Large operation space with ergonomic-design and configuration ensure the operation more comfortable & convenient, and effectively enhance the efficiency & safety of operation.

- ✓ Newly patented insulation materials of Bonnet
- ✓ Well-designed non-slip mat
- ✓ Special display with easily reading
- ✓ Standard files packet
- ✓ Standard distribution of overhead guide raincoat
- ✓ Filled with noise-reducing and buffer rubber material between bonnet and frameworks

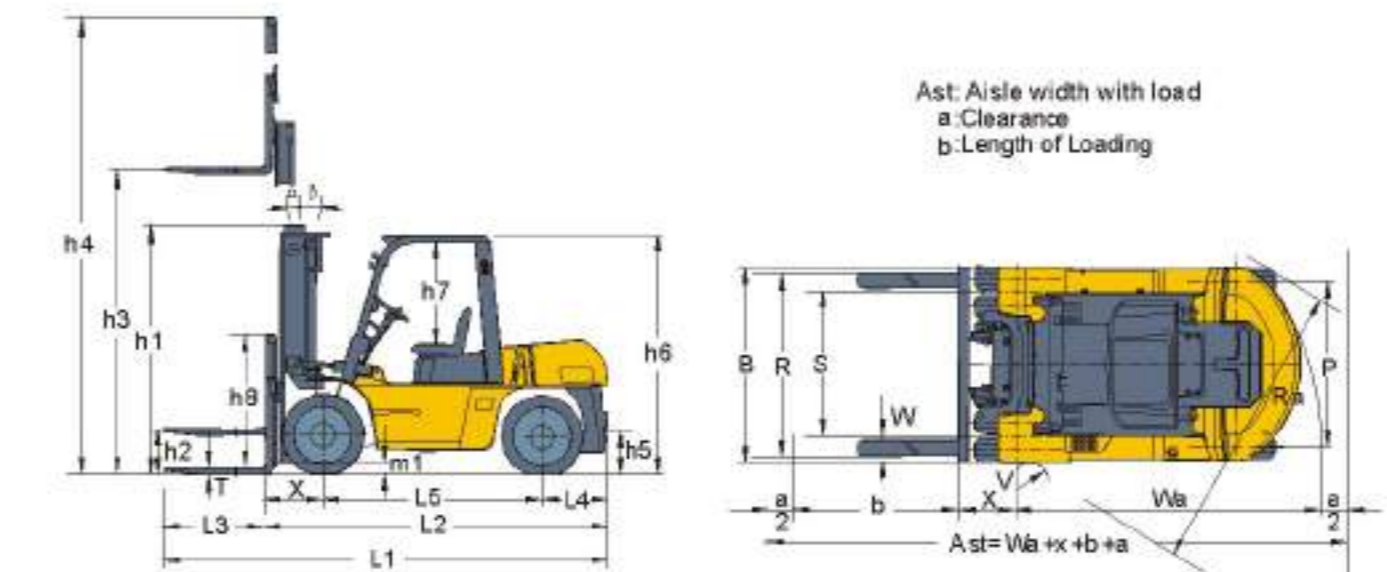


Manufacturers Data and Design Characteristics

| Characteristics | | ANHUI Heli CO., LTD. | | | |
|-----------------|---|---|------------|---|------------|
| | | CPCD80 | CPCD100 | CPCD80 | CPCD100 |
| 1 | Manufacturer | | | | |
| 2 | Model | CPCD80 | CPCD100 | CPCD80 | CPCD100 |
| 3 | Power unit | Diesel | | | |
| 4 | Rated Capacity | kg 8000 | 10000 | 8000 | 10000 |
| 5 | Load Center | mm 500 | | | |
| 6 | Operation | Driver Seated | | | |
| Dimensions | | | | | |
| 7 | Overall max. lifting height (with backrest) | h4 mm 4360 | 4085 | 4360 | 4065 |
| 8 | Max. lifting height | h5 mm 3000 | | | |
| 9 | Height mast retracted (upright) | h1 mm 2700 | 2850 | 2700 | 2850 |
| 10 | Free lift height | h2 mm 200 | | | |
| 11 | Backrest height (from upper face of forks) | h6 mm 1360 | 1015 | 1360 | 1015 |
| 12 | Overhead Guard clearance (from face of seat) | h7 mm 1120 | | | |
| 13 | Overall height (overhead guard) | h8 mm 2560 | 2560 | 2560 | 2560 |
| 14 | Overall length (with forks) | L1 mm 5160 | 5480 | 5160 | 5480 |
| 15 | Overall length (without forks) | L2 mm 3940 | 4260 | 3940 | 4260 |
| 16 | Front overhang | X mm 700 | 718 | 700 | 718 |
| 17 | Rear overhang | L4 mm 740 | 740 | 740 | 740 |
| 18 | Wheel base | L5 mm 2500 | 2800 | 2500 | 2800 |
| 19 | Coupler height | h6 mm 540 | 540 | 540 | 540 |
| 20 | Min. ground clearance under mast | m1 mm 245 | 245 | 245 | 245 |
| 21 | Overall width | B mm 2165 | 2165 | 2165 | 2165 |
| 22 | Lateral fork adjustment (outside of fork Max./Min.) | R mm 200/340 | 2140/410 | 200/340 | 2140/410 |
| 23 | Tread (front) | S mm 1600 | 1600 | 1600 | 1600 |
| 24 | Tread (rear) | P mm 1700 | 1700 | 1700 | 1700 |
| 25 | Outside turning radius | Wa mm 3700 | 3900 | 3700 | 3900 |
| 26 | Inside turning radius | v mm 200 | 200 | 200 | 200 |
| 27 | Min. intersecting side | Ra mm 2310 | 3540 | 2310 | 3540 |
| 28 | Tilting angle (forward/backward) | α/β | 6° / 12° | | |
| 29 | Fork dimensions (ax/b/c) | mm 70 × 1220 × 170 | | mm 80 × 1220 × 175 | |
| Performance | | | | | |
| 30 | Max. Traveling speeds (With/Without load) | km/h 26/30 | 26/30 | 26/28 | 26/30 |
| 31 | Lifting Speeds (With/Without load) | mm/s 440/470 | 360/380 | 400/440 | 330/370 |
| 32 | Lowering Speeds (With/Without load) | mm/s ≤ 600/≥ 300 | | | |
| 33 | Max. Draw-bar pull (With load) | kN 60 | 58 | 59 | 57 |
| 34 | Max. Negotiable Gradient (With/Without load) | % 27/20 | 22/20 | 25/20 | 21/20 |
| Weights | | | | | |
| 35 | Service Mass | kg 10960 | 12510 | 10960 | 12510 |
| 36 | Load Wheel with load (Front/Rear) | kg 1700/1960 | 20360/2130 | 1700/1960 | 20360/2130 |
| 37 | Load Wheel without load (Front/Rear) | kg 4840/6120 | 5700/6810 | 4840/6120 | 5700/6810 |
| Tyres | | | | | |
| 38 | Wheels number front/rear (x-driven) | 4x/2 | | | |
| 39 | Tyre Type | PNEUMATIC TYRE | | | |
| 40 | Tyre size (front) | 9.00-20-14PR | | | |
| 41 | Tyre size (rear) | 9.00-20-14PR | | | |
| 42 | Service Brake | Hydraulic-Foot Pedal MECHANICAL-HAND BRAKE ROD | | Hydraulic-Foot Pedal MECHANICAL-HAND BRAKE ROD | |
| 43 | Parking Brake | | | | |
| Drive | | | | | |
| 44 | Battery (Voltage/Capacity) | V/Ah 2x12/80 | | 2x12/80 | |
| 45 | Internal Combustion Engine Model | Cummins QSB4.5 | | Perkins 1104D-44TA | |
| 46 | Engine type | Electronic controlling, Turbocharged Air-to-air intercooled diesel engine | | | |
| 47 | Internal Combustion Engine Rated Output | kW/gpm 332/200 | | 332/200 | |
| 48 | Internal Combustion Engine Rated Torque | 488/1500 | | 418/1400 | |
| 49 | Internal Combustion Engine Number of Cylinder | 4 | | | |
| 50 | Internal Combustion Engine Displacement | L 4.5 | | 4.4 | |
| 51 | Internal Combustion Engine Fuel Tank Capacity | L 140 | | | |
| 52 | Transmission type | Power Shift | | Power Shift | |
| 53 | Transmission Number of Speed Fwd/Bed | 2/2 | | 2/2 | |

Engine Model and Main Specification for Option

| Internal Combustion Engine Model | Engine type | Internal Combustion Engine Rated Output kW/gpm | Internal Combustion Engine Rated torque Nm/gpm | Internal Combustion Engine Displacement L | Internal Combustion Engine Number of Cylinder |
|----------------------------------|--------------------|---|---|--|---|
| ISUZU 6BG1 | Normally Aspirated | 32/200 | 415/1400-1500 | 6.4/94 | 6 |
| XINCHAI D46110 | Normally Aspirated | 33/200 | 450/1400-1500 | 7.1/27 | 6 |



Note:
Capacities shown are computed with upright in vertical position. Based on a 1000 mm cube load configuration with the center of gravity at the true center of the cube, and standard forks. Truck capacities with upright in forward tilt position will be less. Long forks, and unusually wide or loads may also reduce capacity.

SIDE SHIFTER ON 10T FREE LIFTING MAST

| Mast model | Max. Fork Height (mm) | Load Capacity (kg) | Overall Mast Height (At Lowered) (mm) | Tilting Angle Fwd/Bed (deg) | Service Weight (kg) |
|------------|-----------------------|--------------------|---------------------------------------|-----------------------------|---------------------|
| ZSM360 | 3500 | 8000 | 2570 | 6-12 | 12680 |
| ZSM400 | 4100 | 8000 | 2700 | 6-12 | 12640 |
| ZSM425 | 4150 | 8000 | 2810 | 6-12 | 12700 |
| ZSM450 | 4800 | 7500 | 2910 | 6-6 | 12920 |
| ZSM500 | 5000 | 7500 | 3036 | 6-6 | 12810 |
| ZSM540 | 5400 | 7000 | 3125 | 3-6 | 12880 |
| ZSM600 | 6000 | 6000 | 3425 | 3-6 | 12960 |

8-10T WIDE VIEW MAST

| Mast model | Max. Fork Height (mm) | Load Capacity (kg) | | Overall Mast Height (At Lowered) (mm) | | Service Weight (kg) | | Tilting Angle (deg) |
|------------|-----------------------|--------------------|---------|---------------------------------------|---------|---------------------|---------|---------------------|
| | | CPCD80 | CPCD100 | CPCD80 | CPCD100 | CPCD80 | CPCD100 | |
| MC70 | 2000 | 8000 | - | 2480 | - | 10870 | - | 6-12 |
| MC70 | 2700 | 8000 | - | 2590 | - | 10920 | - | 6-12 |
| MC100 | 3000 | 8000 | 10000 | 2700 | 2890 | 10860 | 12150 | 6-12 |
| MC30 | 3600 | 8000 | 10000 | 2860 | 3000 | 11020 | 12215 | 6-12 |
| MC50 | 3600 | 8000 | 10000 | 2960 | 3100 | 11060 | 12260 | 6-12 |
| MC75 | 3750 | 8000 | 10000 | 3075 | 3225 | 11100 | 12310 | 6-12 |
| MC100 | 4000 | 8000 | 10000 | 3250 | 3400 | 11310 | 12450 | 6-12 |
| MC125 | 4250 | 8000 | 10000 | 3375 | 3525 | 11360 | 12510 | 6-12 |
| MC150 | 4600 | 8000 | 10000 | 3500 | 3650 | 11460 | 12600 | 6-12 |
| MC175 | 4950 | 7750 | 10000 | 3625 | 3775 | 11550 | 12620 | 6-6 |
| MC180 | 5000 | 7750 | 10000 | 3750 | 3880 | 11590 | 12670 | 6-6 |
| MC210 | 5200 | 7400 | 8000 | 4050 | 4200 | 11740 | 12910 | 3-6 |
| MC240 | 6000 | 7000 | 8000 | 4300 | 4460 | 11830 | 13000 | 3-6 |

8-10T WIDE VIEW FULL FREE 3-STAGE MAST

| Mast model | Max. Fork Height (mm) | Load Capacity (kg) | | Overall Mast Height (At Lowered) (mm) | | Service Weight (kg) | | Free lift with Backrest (mm) | Tilting Angle Fwd/Bed (deg) | |
|------------|-----------------------|--------------------|---------|---------------------------------------|---------|---------------------|---------|------------------------------|-----------------------------|------|
| | | CPCD80 | CPCD100 | CPCD80 | CPCD100 | CPCD80 | CPCD100 | | | |
| ZSM360 | 3600 | 7000 | 8000 | 2650 | 2810 | 11350 | 12680 | 1090 | 1310 | 6-12 |
| ZSM400 | 4000 | 7000 | 8000 | 2875 | 2910 | 11420 | 12640 | 1217 | 1440 | 6-12 |
| ZSM425 | 4150 | 7000 | 8000 | 2900 | 2910 | 11490 | 12700 | 1342 | 1560 | 6-12 |
| ZSM450 | 4800 | 7000 | 7500 | 3050 | 2970 | 11570 | 12750 | 1462 | 1710 | 6-6 |
| ZSM500 | 5000 | 7000 | 7500 | 2850 | 3025 | 11640 | 12810 | 1590 | 1775 | 6-6 |
| ZSM540 | 5400 | 6500 | 7000 | 3075 | 3125 | 11710 | 12860 | 1717 | 1965 | 3-6 |
| ZSM600 | 6000 | 6000 | 6000 | 3375 | 3425 | 12060 | 12960 | 2017 | 2165 | 3-6 |
| ZSM625 | 6500 | 5500 | 5500 | 3600 | 3625 | 12150 | 13250 | 2242 | 2335 | 3-6 |
| ZSM600 | 7000 | 4500 | - | 3900 | - | 12400 | - | 2592 | - | 3-6 |

NOTE: SEE PAGES 10-11 FOR BEST FORK CENTER OF GRAVITY POSITIONING AND LOAD CENTER.