

(EXCEPT K-D HAWK MODELS)

ELECTRICAL CIRCUIT

- 1 - PRE-HEATER
- 2 - BATTERY
- 3 - STARTER
- 4 - RELAY PRE-HEATER
- 5 - KSB SENSOR
- 6 - FUEL SHUT-OFF SOLENOID
- 7 - FUEL PUMP
- 8 - ALTERNATOR
- 9 - FUEL LEVEL GAUGE
- 10 - HOUR METER
- 11 - CHARGE INDICATOR
- 12 - ENGINE OIL PRESSURE INDICATOR
- 13 - BRAKE FLUID LEVEL INDICATOR
- 14 - AIR FILTER RESTRICTED INDICATOR
- 15 - ENGINE COOLANT TEMPERATURE INDICATOR
- 16 - TRANSMISSION OIL TEMPERATURE INDICATOR
- 17 - TRANSMISSION OIL PRESSURE (TC ONLY)
- 18 - PARK BRAKE INDICATOR
- 19 - FORWARD SOLENOID
- 20 - REVERSE SOLENOID
- 21 - TRANSMISSION DISCONNECT CIRCUIT
- 22 - FORWARD RELAY
- 23 - GEAR SHIFT ENABLE (HYDRO ONLY)
- 24 - F-N-R SHIFTER
- 25 - SAFE START RELAY
- 26 - REVERSE RELAY
- 27 - REVERSE RELAY LIGHT
- 28 - LEFT REAR WORK LIGHT
- 29 - RIGHT REAR WORK LIGHT
- 30 - LEFT FRONT WORK LIGHT
- 31 - HORN
- 32 - HIGH/LOW SPEED SWITCH (HYDRO ONLY)
- 33 - LOW SPEED RELAY (HYDRO ONLY)
- 34 - HIGH SPEED RELAY (HYDRO ONLY)
- 35 - HIGH SPEED SOLENOID (HYDRO ONLY)
- 36 - HIGH/LOW SPEED INDICATOR (HYDRO ONLY)
- 37 - 2WD/4WD SWITCH
- 38 - PARKING BRAKE SOLENOID

CONNECTORS

- A - DASH MODULE, 5 CIRCUIT
 - B - DASH MODULE, 8 CIRCUIT
 - C - DEUTCH 4 PIN
 - D - RELAY RELAY (TC ONLY)
 - E - INDICATOR TEST MODULE
 - F - FUEL PUMP
 - G - X
 - H - HORN/ROAD LIGHT SWITCH
 - J - PARK BRAKE SWITCH
- ELECTRICAL COMPONENTS**
- E1 - RIGHT REAR WORK LIGHT
 - E2 - LEFT REAR WORK LIGHT
 - E3 - RIGHT FRONT WORK LIGHT
 - E4 - LEFT FRONT WORK LIGHT
 - E5 - LOW SPEED INDICATOR
 - E6 - HIGH SPEED INDICATOR
- FUSES**
- F1 - STARTER (20A)
 - F2 - WORK LIGHTS (20A)
 - F3 - DASH INDICATOR/BUZZER (5A)
 - F4 - FNR (10A)
 - F5 - HORN (10A)
 - F6 - PARK BRAKE (10A)
 - F7 - 2 SPEED HYDRO/ 2WD/4WD TC(10A)
 - F41 - FUSES FOR EQUIPMENT (40A)
 - F42 - ENGINE PRE-HEATER (80A)
 - F43 - ALTERNATOR (80A)

- H1 - CHARGE INDICATOR
- H2 - ENGINE OIL PRESSURE INDICATOR
- H3 - BRAKE FLUID INDICATOR
- H4 - AIR FILTER RESTRICTED INDICATOR
- H5 - ENGINE COOLANT TEMPERATURE INDICATOR
- H6 - FLASHER INDICATOR
- H7 - PARK BRAKE INDICATOR
- H8 - TRANSMISSION OIL TEMPERATURE INDICATOR
- H9 - HIGH-BEAM INDICATOR
- H10 - TRANSMISSION PRESSURE INDICATOR (TC ONLY)
- H11 - HOURMETER/FUEL LEVEL GAUGE MODULE LIGHT
- H12 - WARNING LIGHT

- G1 - BATTERY 12V
- G2 - ALTERNATOR

- K1 - TRANSMISSION DISCONNECT RELAY
- K2 - PRE-HEATER RELAY
- K3 - FORWARD RELAY
- K4 - SAFE START RELAY
- K5 - REVERSE RELAY
- K6 - FORWARD DELAY RELAY, 3.5±0.5 SEC.
- K7 - HORN SPEED RELAY
- K8 - LOW SPEED RELAY
- K9 - GEAR SHIFT ENABLE RELAY (HYDRO ONLY)

- M1 - STARTER
- M2 - HORN
- M3 - WARNING BUZZER
- M4 - FUEL PUMP

- P1 - HOURMETER
- P2 - FUEL LEVEL GAUGE

- R1 - ENGINE PRE-HEATER
- R2 - FUEL LEVEL SENSOR

WIRE COLOR CODES

- W : WHITE
- Y/G : YELLOW/GREEN
- Y : YELLOW
- BL : BLUE
- BR : BROWN
- P : PINK
- GR : GRAY
- B : BLACK
- G : GREEN
- Y : YELLOW
- O : ORANGE
- V : VIOLET

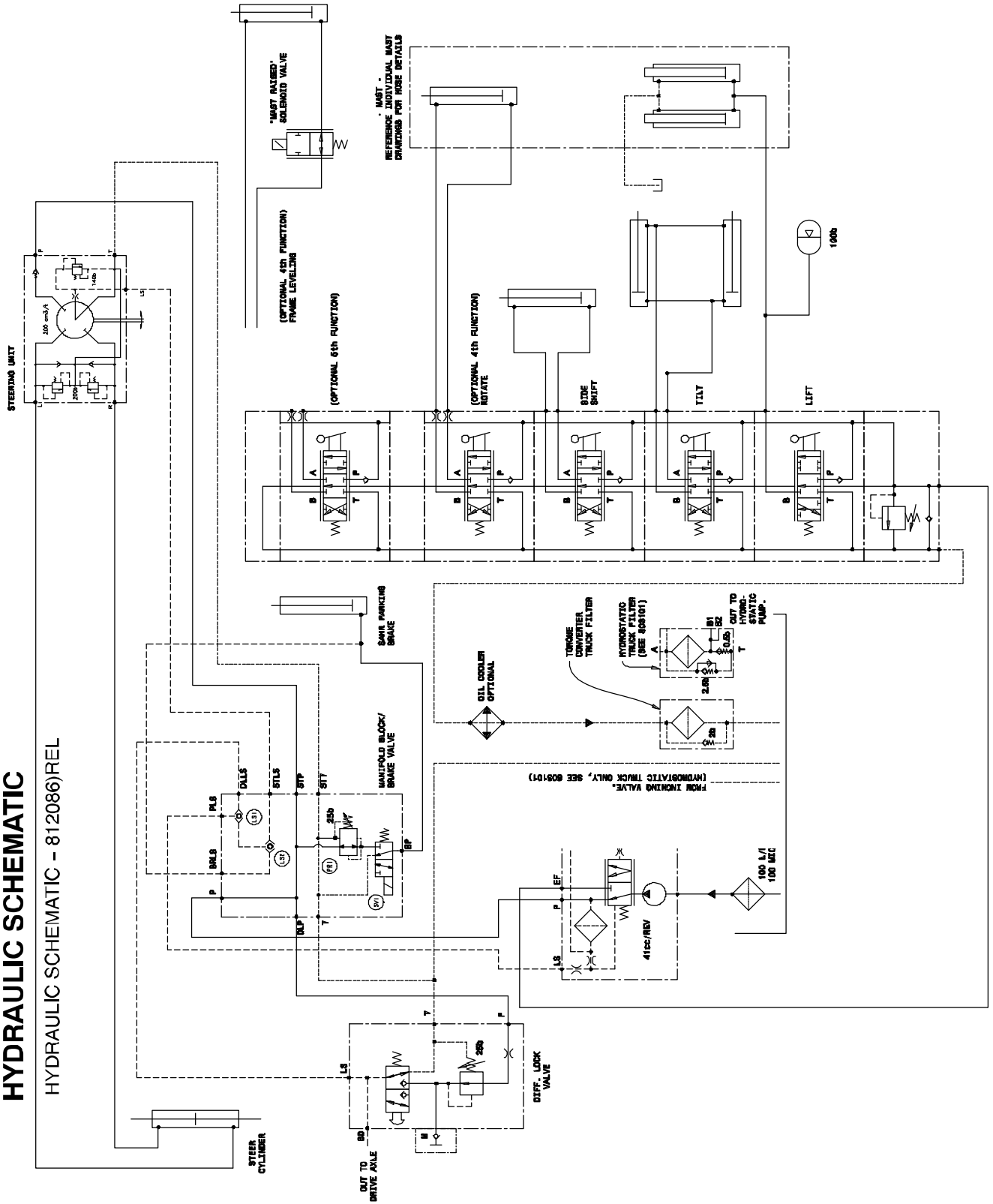
VI = DIODE

- V1 - FUEL SOLENOID
- V2 - FORWARD SOLENOID
- V3 - REVERSE SOLENOID
- V4 - COLD START SOLENOID
- V5 - 2WD/4WD SOLENOID
- V6 - LOW SPEED SOLENOID
- V7 - PARKING BRAKE SOLENOID

- S1 - IGNITION KEY SWITCH
- S2 - FORWARD/NEUTRAL/REVERSE SWITCH LEVER
- S3 - ENGINE OIL PRESSURE SENSOR
- S4 - BRAKE FLUID LEVEL SWITCH
- S5 - AIR FILTER RESTRICTED SWITCH
- S6 - ENGINE COOLANT TEMPERATURE SWITCH
- S7 - TRANSMISSION OIL TEMPERATURE SWITCH
- S8 - PARKING BRAKE SWITCH, SHOWN WITH BRAKE OFF
- S10 - WORK/LOW SPEED SELECTOR SWITCH (HYDRO ONLY)
- S11 - HIGH/LOW SPEED PRESSURE SENSOR (TC ONLY)
- S13a =
- S13b =
- S13c =
- S13d = HORN SWITCH
- S14 = SHIFTER LEVER TRANSMISSION DISCONNECT SWITCH (TC ONLY)
- S15 = BRAKE PEDAL TRANSMISSION DISCONNECT SWITCH (TC ONLY)
- S16 = BRAKE PEDAL SWITCH BYPASS (TC ONLY)
- S17 =
- S18 =
- S19 =
- S20 =
- S21 = STOP LIGHT SWITCH
- S22 =
- S23 = COLD START SENSOR
- S24 =
- S25 = 2WD/4WD SWITCH (OPTION)

HYDRAULIC SCHEMATIC

HYDRAULIC SCHEMATIC - 812086)REL



NOTES: UNLESS SPECIFIED OTHERWISE

1. REFERENCE INDIVIDUAL SYSTEMS DRAWINGS FOR COMPONENT PART NUMBERS.
2. THIS SCHEMATIC IS INTENDED FOR USE AS A SERVICING TOOL AND MAY NOT INCLUDE ALL AVAILABLE OPTIONS/CONFIGURATION.
3. FOR HYDROSTATIC TRUCK REFERENCE ALSO 80910.

LEGEND:

- SOLID LINE: MAIN CONDUCTOR, OUTLINE, SHAFT
- LONG DASH LINE: PILOT LINE FOR CONTROL
- SHORT DASH LINE: EXHAUST OR DRAIN LINE
- CENTER LINE: ENCLOSURE OUTLINE

HYDROSTATIC SCHEMATIC

HYDROSTATIC SCHEMATIC - 803101)B

