

310B/M420/430/44 Forklifts

Parts Catalog

B904

REPRINTED

CASE

ALPHABETICAL INDEX

A

Angling Dozer - Attachment 73,75
 Attachments 47,83

B

Box Weight 4
 Bucket - Loader, Attachment 51,53

C

Cement Bucket - Attachment 59
 Chain 17,21,23
 Control Tower 9
 Crane Boom - Attachment 71
 Cylinder - Bucket 46,47
 Cylinder - Mast Lift 43
 Cylinder - Mast Tilt 45
 Cylinder - Side Shifter 47
 Cylinder - Tilt Fork 45

D

Dozer - Angling (Attachment) 73,75
 Drive - Hydraulic Pump 33

F

Filter - Oil, Hydraulic 33
 Floor Plate 9
 Forks - Cement Block 27
 Forks - Pallet 27
 Frame - Fork Lift 5

G

Guard - Overhead 7

H

Hydraulics - Auxiliary 55,57
 Hydraulics - Basic 29,31
 Hydraulics - Log Forks 81
 Hydraulics - Side Shifter 61-67
 Hydraulics - Tilt Fork 49

I

Instruments and Wiring 11

L

Lever - Control 55,57,61-67
 Log Clamp - Attachment 77,81

M

Masts 19-25,83

P

Pedals - Foot 13
 Pump - Hydraulic 35

S

Seat 7
 Side Shifter 59
 Steering 9,13,17

T

Tilt Fork - Attachment 49
 Tower - Control 9
 Truss Rod - Attachment 79

V

Valve Control, Hydraulic 37,39,41

GENERAL INFORMATION

Indexes

This Parts Catalog is arranged for easy identification of Genuine CASE Service Parts. An alphabetical index is provided at the front of this Catalog to locate the major groups or assemblies. A numerical index at the rear of the Catalog gives the part numbers and the pages on which they are described.

Illustrations

All parts are illustrated in "Exploded Views" which show the individual parts in their normal relationship to each other. Reference numbers are used in the illustrations. These numbers correspond to those in the "Reference Number" column and are followed by the part number, description and quantity required.

Orders

Orders should plainly specify correct part number, full description, quantity required, machine model and engine model, machine and engine serial numbers, method of shipment and shipping address.

Changes

When changes to the machine make it necessary, revised pages for this book will be issued. The revised pages will be issued with the same page number as those they replace and the "issue" number and date will be advanced.

It is imperative that revised Parts Book pages be inserted into their respective Parts Books as soon as received. Failure to do so will lead to confusion and defeat the purpose of the book.

Indented Description

Indented parts in the descriptive list are a part of the preceding assembly or sub-assembly.

The quantity shown in the "Number Required" column is the number of parts used on a machine except where parts are indented in descriptive list. In this case the quantity shown is the number required for the preceding assembly or sub-assembly.

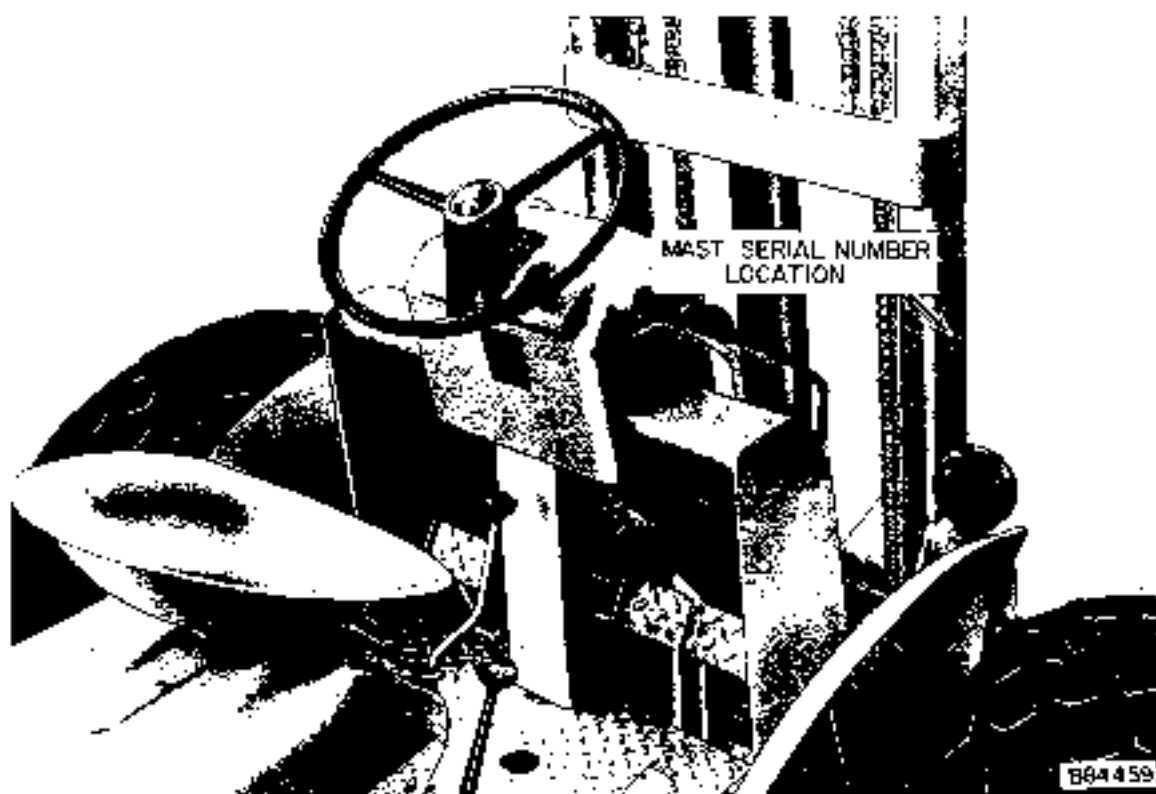
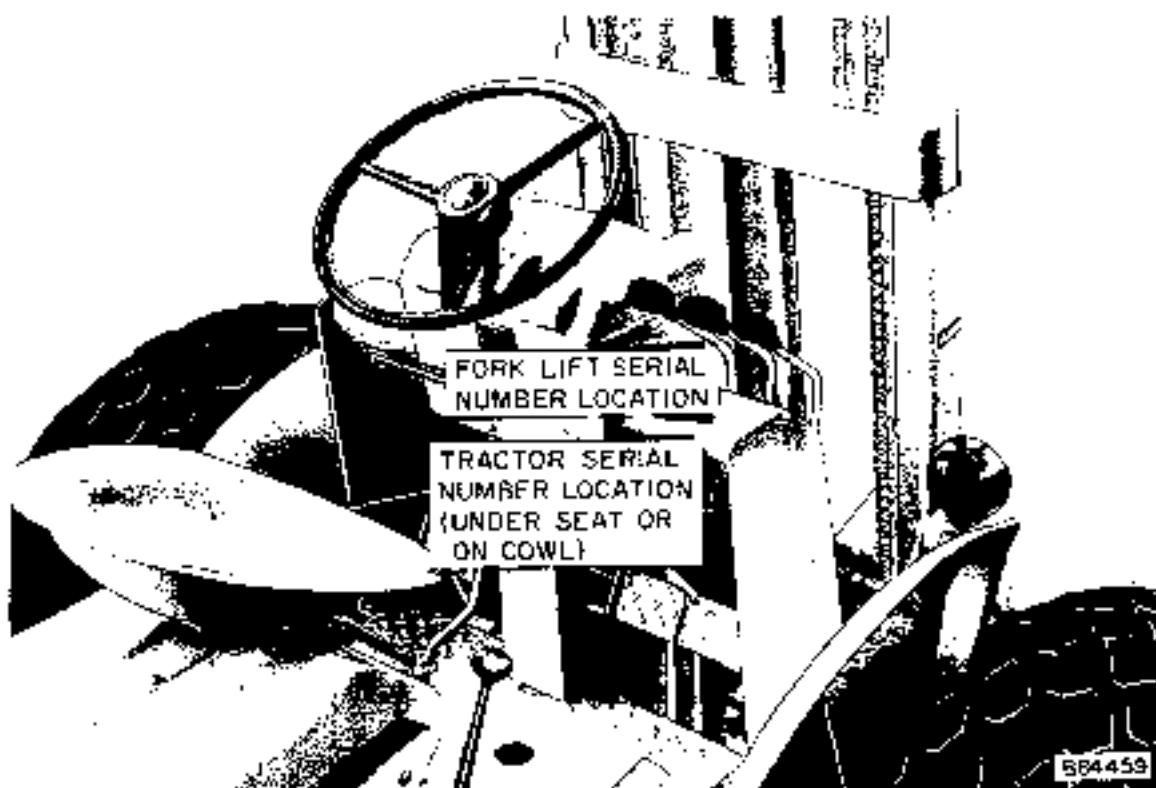
REF.	PART NO.	DESCRIPTION	REQ'D
	A 55158	CYLINDER ASSY - rear steering	1
28	A 56208	SOCKET ASSY - rear cylinder	1
29	A 55956	PLUG - adjusting, socket assy	1
30	A 55857	SEAT - socket ball,	2
31	A 56210	SPRING - socket	1
32	A 56209	SEAT - socket spring	1
33	G 45175	CLAMP ASSY - socket assy	1
	16- 836	BOLT - 1/2" x 2-1/4" N.F.,hex.	1
34	132- 104	PIN - cotter, 3/16" x 3"	1
35	A 55889	STUD - ball,socket & cylinder	2
36	13- 410	BOLT - 1/4" x 5/8" N.C.,hex.	4
37	92- 4	LOCKWASHER - 1/4" SAE	4

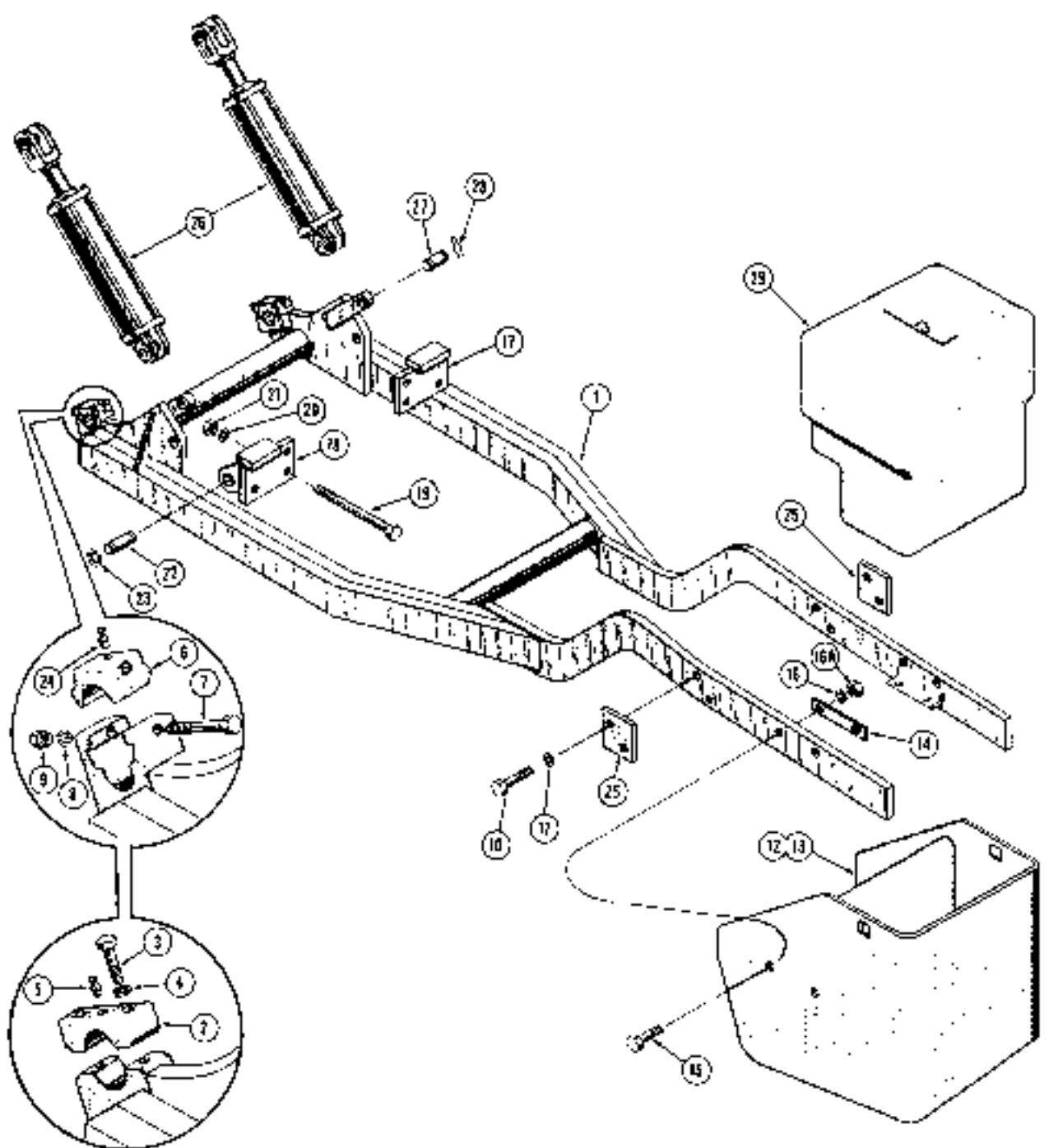
Terms "Right Hand" and "Left Hand"

"Right Hand" and "Left Hand" sides of the basic Tractor are determined by standing at the rear of the unit and facing in direction of forward travel of the machine (small wheels in front).

In this Catalog "Right Hand" and "Left Hand" sides of the Fork Lift are determined by sitting in the operator's seat and facing in direction of forward travel of the Fork Lift (large wheels in front).

SERIAL NUMBERS

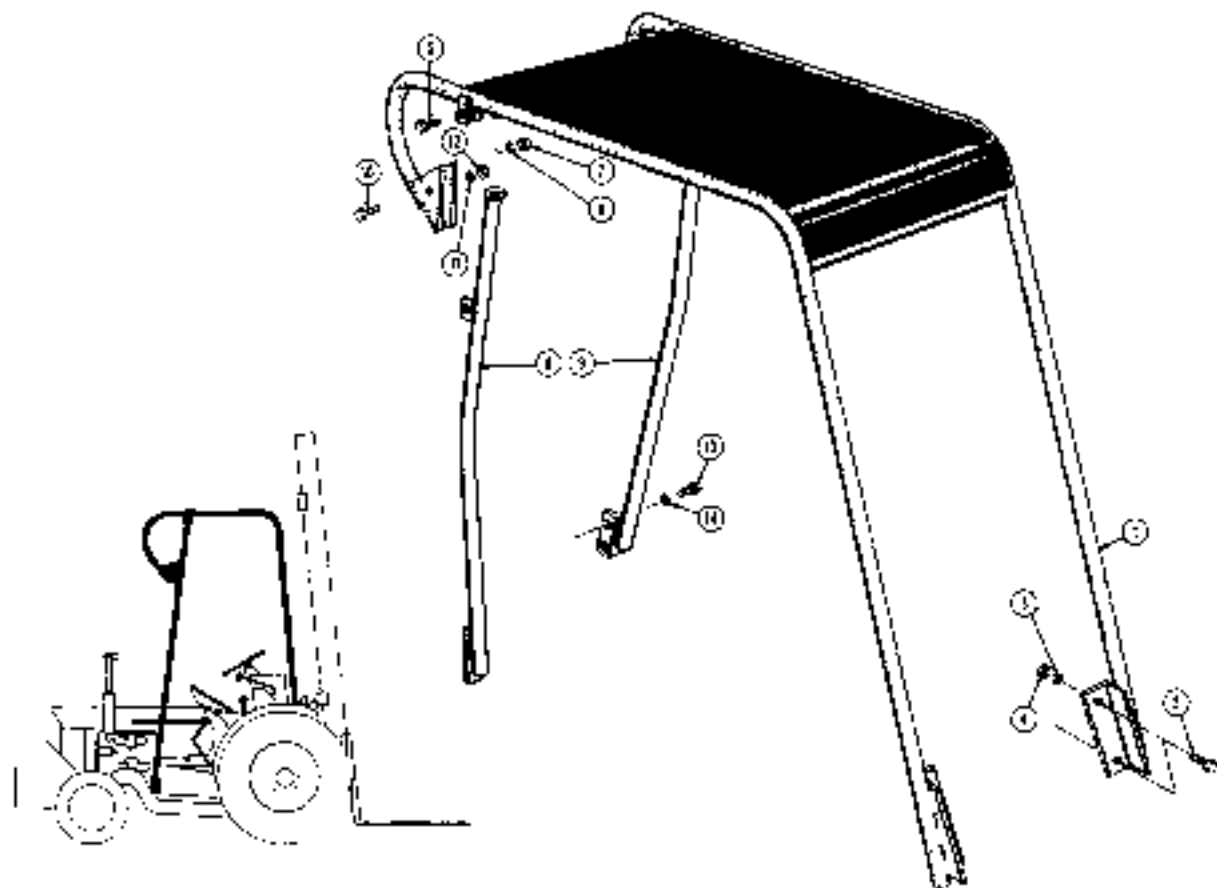




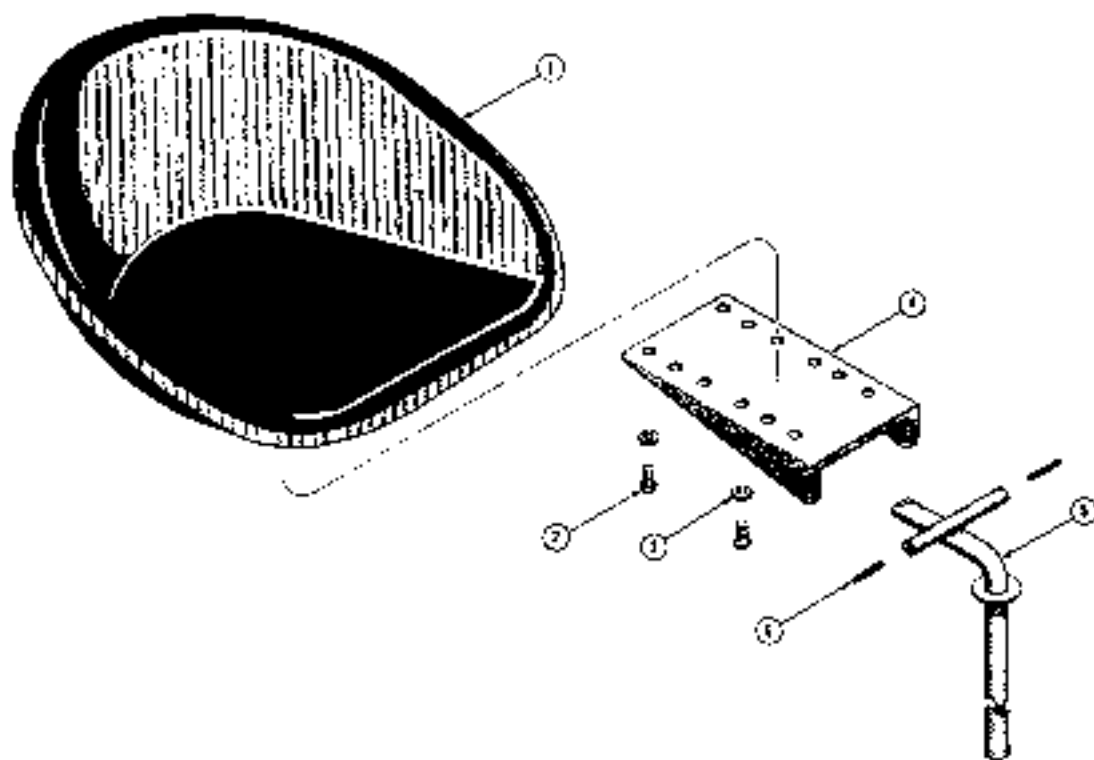
FRAME AND WEIGHT BOX

REF.	PART NO.	DESCRIPTION	REQ'D.
1	D 24144	FRAME - fork lift (Gas model)	1
	D 27374	FRAME - fork lift (Diesel model)	1
2	D 24149	CAP - trunnion (Used before Harlo #1982) See D26759	2
3	14- 832	HHCS - 1/2" - 20 NC x 2"	4
4	92- 8	WASHER - med. sec. lock (1/2")	4
5	219- 1	FITTING - straight grease (1/8" NPT)	2
6	D 26758	WEDGE - trunnion (Used on Harlo #1882 and after) See D24149	2
7	13- 672	HHCS - 3/8" - 16 NC x 4-1/2"	2
8	92- 6	WASHER - med. sec. lock (3/8")	2
9	25- 106	NUT - hex. (3/8" - 16 NC)	2
10	13- 1240	HHCS - 3/4" - 10 NC x 2-1/2"	4
11	92- 12	WASHER - med. sec. lock (3/4")	4
12	D 24151	BOX - rear weight, 1450 lb. capacity (See D27435 and D26198)	1
13	D 27435	BOX - rear weight, 1450 lb. capacity	1
14	D 26198	PLATE - upper, weight box	2
15	13- 828	HHCS - 1/2" - 13 NC x 1-3/4"	4
16	92- 8	WASHER - med. sec. lock (1/2")	4
16A	25- 108	NUT - hex. (1/2" - 13 NC)	4
17	D 24145	YOKE - mounting, R.H. (Used before fork lift serial no. 4065701) When stock is exhausted use D29629	1
	D 29629	YOKE - mounting, R.H. (Used on fork lift serial no. 4065701 and after) See D24145	1
18	D 24146	YOKE - mounting, L.H. (Used before fork lift serial no. 4065701) When stock is exhausted use D29640	1
	D 29640	YOKE - mounting, L.H. (Used on fork lift serial no. 4065701 and after) See D24146	1
19	13- 10128	HHCS - 5/8" - 11 NC x 8"	8
20	92- 10	WASHER - med. sec. lock (5/8")	8
21	25- 1010	NUT - hex. (5/8" - 11 NC)	8
22	D 24147	PIN - mounting, mast	2
23	D 24148	RING - retaining, mounting pin	4
24	219- 13	FITTING - grease, straight drive (3/16")	2
25	D 24150	COVER - slit	2
26	D 24080	CYLINDER - hydraulic, 10° mast tilt (Used with all 21'6" masts and with 10'6" and 14'3" masts before fork lift serial no. 4074312) See D27302 (See page 45 for breakdown)	2
	D 27002	CYLINDER - hydraulic, 20° mast tilt (Used with 10'6" and 14'3" masts on fork lift serial no. 4074312 and after) See D24080 (See page 45 for breakdown)	2
27	D 24083	PIN - pivot, cylinder at mast	2
28	D 24084	CLIP - retaining, pivot pin	4
29	*D 29696	COUNTERWEIGHT - rear (Machinery item)	1

*NOTE: On units prior to fork lift serial no. 4037101 the lip on the weight box will have to be reversed to accommodate the cast weight.



510259



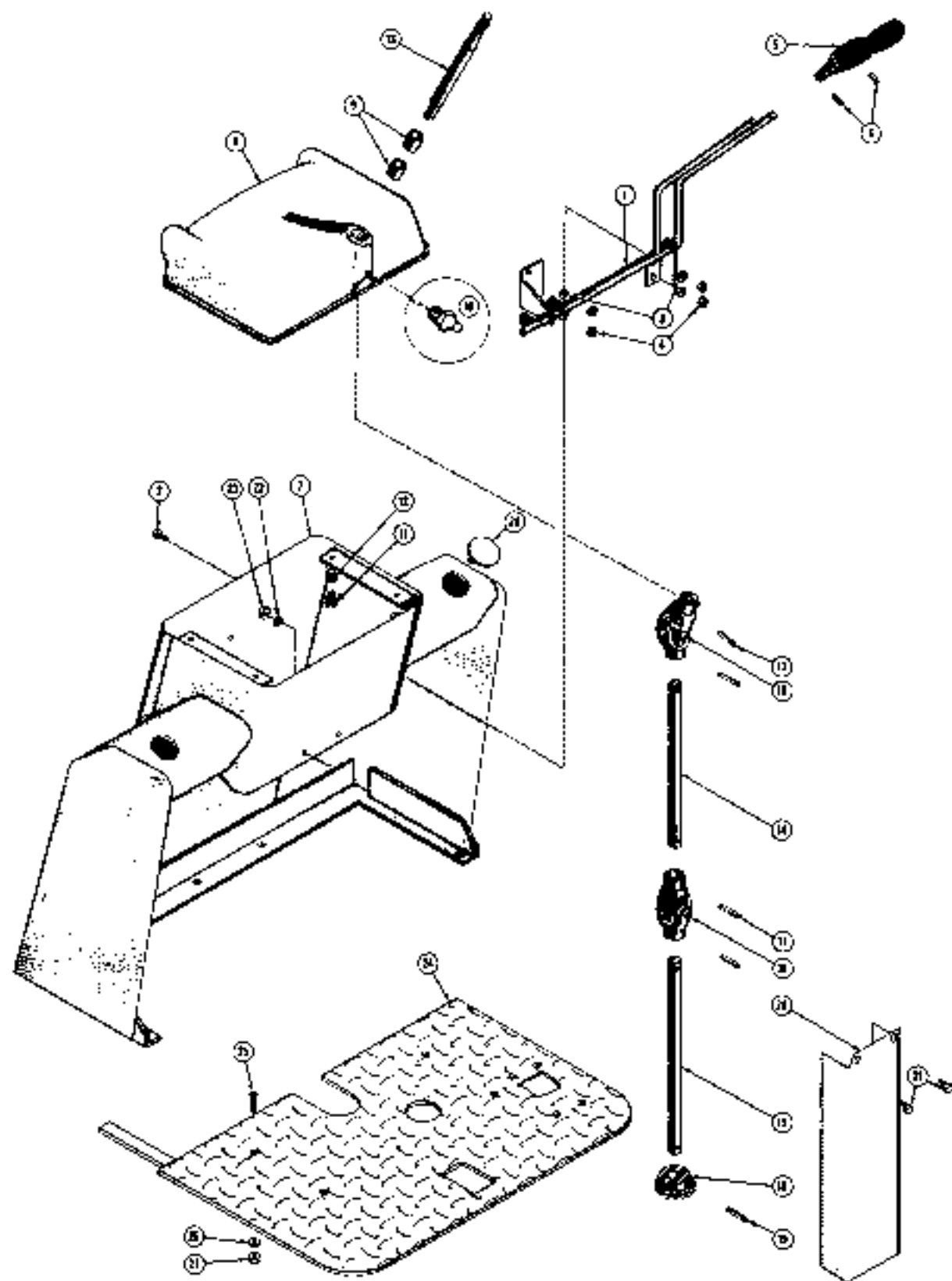
510259

OVERHEAD GUARD

REF.	PART NO.	DESCRIPTION	REQ'D.
1	D 24152	GUARD - overhead	1
2	13- 820	NUTS - 1/2" - 13 NC x 3-1/4"	4
3	92- 8	WASHER - med. sec. lock (1/2")	4
4	25- 106	NUT - hex. (1/2" - 13 NC)	4
5	13- 852	NUTS - 1/2" - 13 NC x 3-1/4"	2
6	92- 8	WASHER - med. sec. lock (1/2")	2
7	25- 106	NUT - hex. (1/2" - 13 NC)	2
8	D 24153	SUPPORT - overhead guard, R.H.	1
9	D 24154	SUPPORT - overhead guard, L.H.	1
10	13- 852	NUTS - 1/2" - 13 NC x 3-1/4"	2
11	92- 8	WASHER - med. sec. lock (1/2")	2
12	25- 106	NUT - hex. (1/2" - 13 NC)	2
13	13- 1024	NUTS - 5/8" - 11 NC x 2-1/2"	4
14	92- 10	WASHER - med. sec. lock (5/8")	4

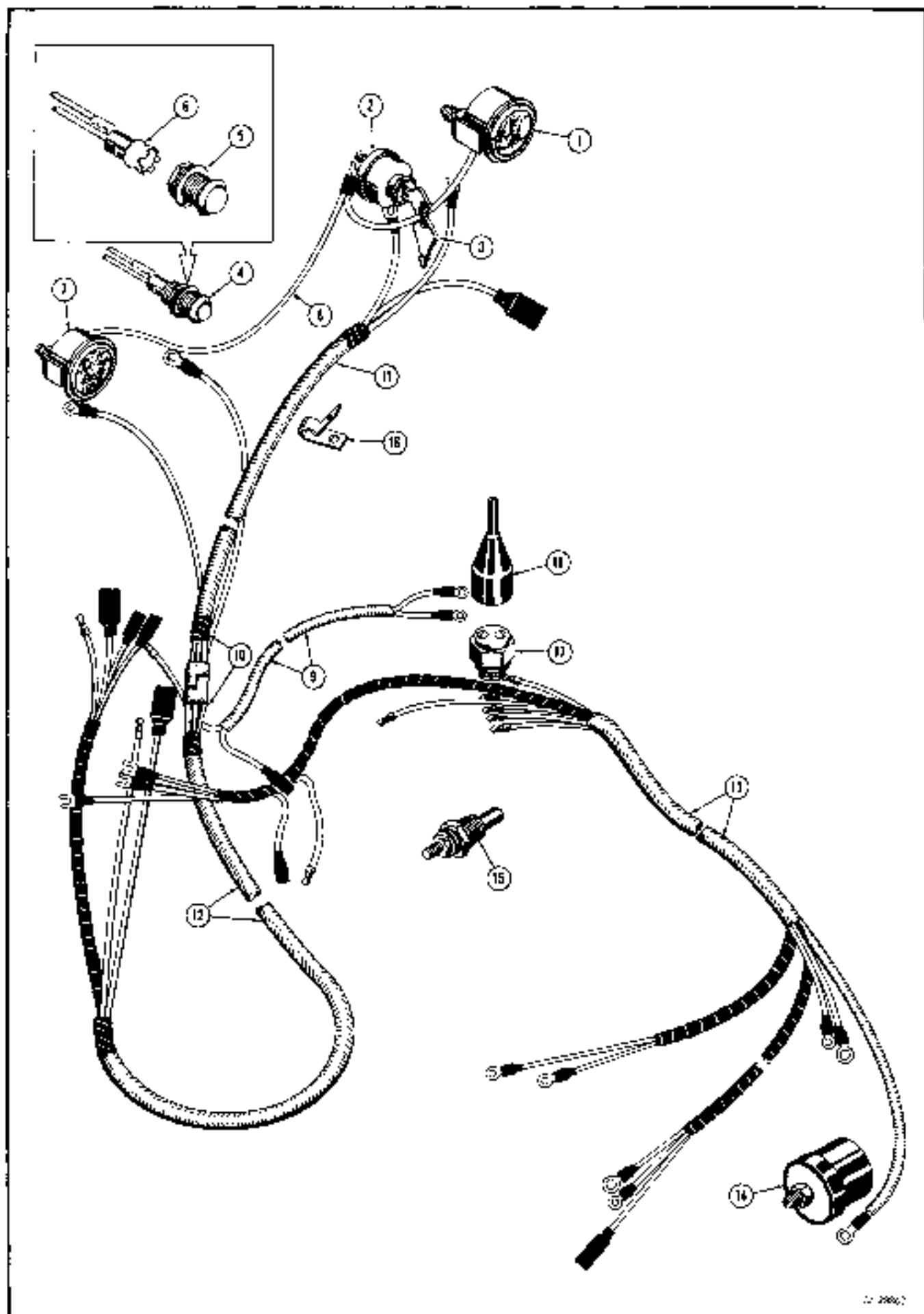
FORK LIFT SEAT

REF.	PART NO.	DESCRIPTION	REQ'D.
1	D 24130	SEAT - lock 1101 (Use D26759)	1
	D 26759	SEAT - fork lift	1
2	14- 712	NUTS - 7/16" - 20 NF x 3/4"	4
3	92- 7	WASHER - med. sec. lock (7/16")	4
4	D 24131	BRACKET - seat mounting	1
5	D 24132	POST - seat mounting	1
6	138- 136	PIN - roll (1/4" x 2-1/4")	2



CONTROL TOWER

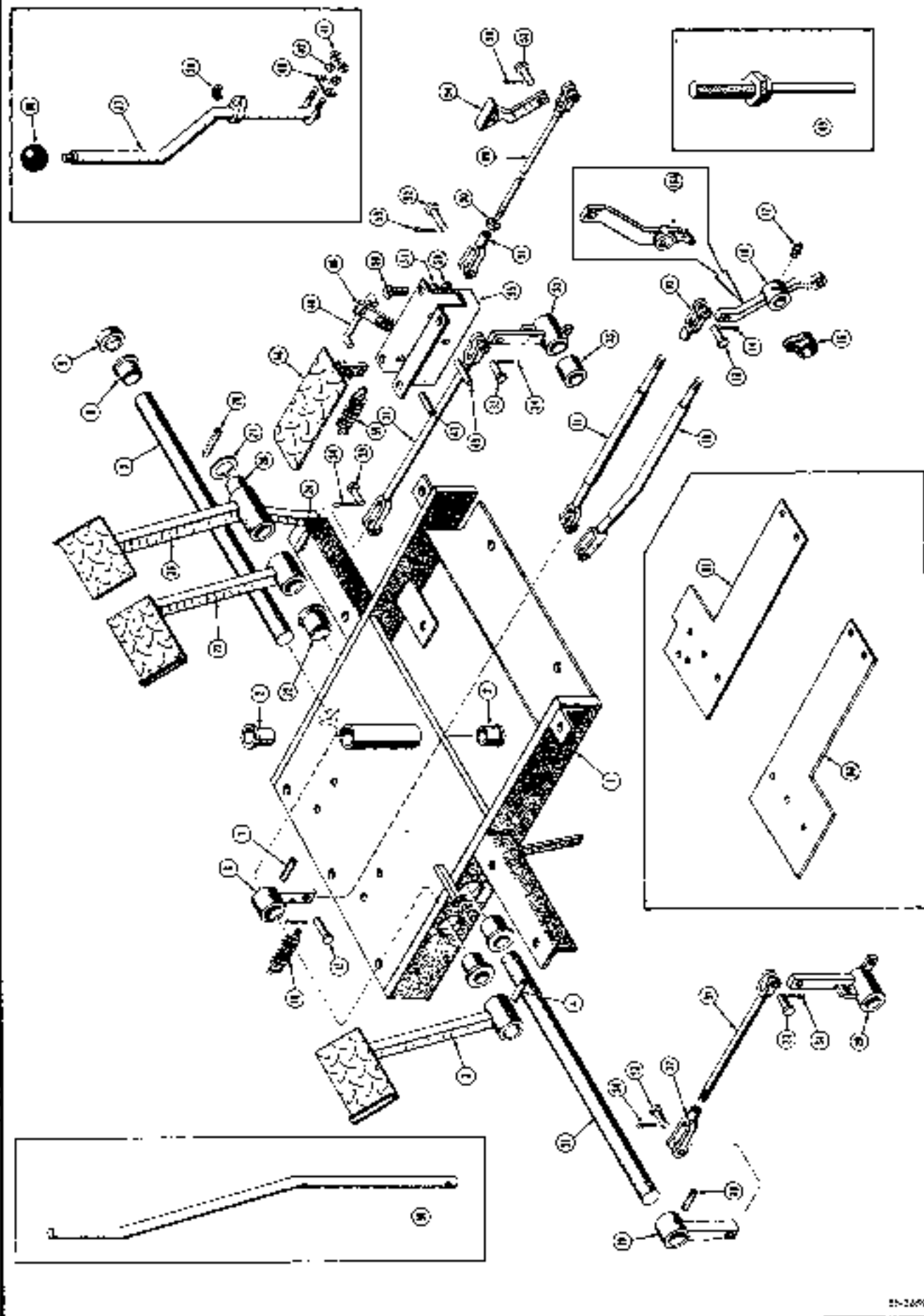
REF.	PART NO.	DESCRIPTION	REQ'D.
1	D 24183	LEVERS - valve, mast tilt and raise	2
2	13- 612	EHCS - 3/8" - 16 NC x 3/4"	4
3	92- 6	WASHER - med. sec. lock (1/8")	4
4	25- 106	NUT - hex. (3/8" - 16 NC)	4
5	D 24184	KNOB - control	2
6	138- 57	PIN - roll (1/8" x 3/4")	2
7	D 24185	TOWER - control, without instrument holes (Used before fork lift serial no. 4065701) See D19021	1
	D 24821	TOWER - control with instrument holes (Used on fork lift serial no. 4065701 and after)	1
	13- 616	EHCS - 3/8" - 16 NC x 1" (Not shown)	5
	92- 6	WASHER - med. sec. lock (1/8") Not shown	5
8	D 24186	TOP - tower, control	1
9	D 24187	BUSHING - steering column	2
10	219- 13	FITTING - grease, straight drive	1
11	13- 616	EHCS - 3/8" - 16 NC x 1"	4
12	92- 6	WASHER - med. sec. lock (1/8")	4
13	D 24188	SHAFT - steering column, upper section	1
14	D 25791	SHAFT - steering column, center section (12-3/4" long) (Used on fork lift serial no. 10R and after (See D24188)	1
	D 24189	SHAFT - steering column, center section (13-1/4" long) Used before fork lift serial no. 10R (See D25791)	1
15	D 25790	SHAFT - steering column, lower section (10 3/8" long) Used on fork lift serial no. 10R and after (See D24190)	1
	D 24190	SHAFT - steering column, lower section (10-3/8" long) Used before fork lift serial no. 10R (See D25790)	1
16	D 25785	JOINT - universal, steering column (Used on fork lift serial no. 10R and after) See D24191	2
	219- 40	FITTING - grease, 67-1/2" (1/8" NPT) Not shown	2
	D 24191	JOINT - universal, steering column (Used before fork lift serial no. 10R) See D25785	2
17	138- 136	PIN - roll, joint (1/4" x 1-1/4")	4
18	D 24192	SPROCKET - steering column (19 teeth)	1
19	138- 141	PIN - roll, sprocket (1/4" x 2-1/4")	1
20	D 24193	GUARD - steering column	1
21	13- 412	EHCS - 1/4" - 20 NC x 3/4"	2
22	92- 4	WASHER - med. sec. lock (1/4")	2
23	25- 104	NUT - hex. (1/4" - 20 NC)	2
24	D 25792	PLATE - floor (Used on fork lift serial no. 10R and after) See D24207	1
	D 24207	PLATE - floor (Used before fork lift serial no. 10R) See D25792	1
25	171- 221	FRMS - 5/16" - 13 NC x 1" (Cadmium plated)	4
26	92- 5	WASHER - med. sec. lock (5/16")	4
27	25- 105	NUT - hex. (5/16" - 13 NC)	4
28	D 25600	COVER - in line of instruments (if used)	2



INSTRUMENTS AND WIRING

USED ON FORK LIFT SERIAL NO. 4065701 AND AFTER

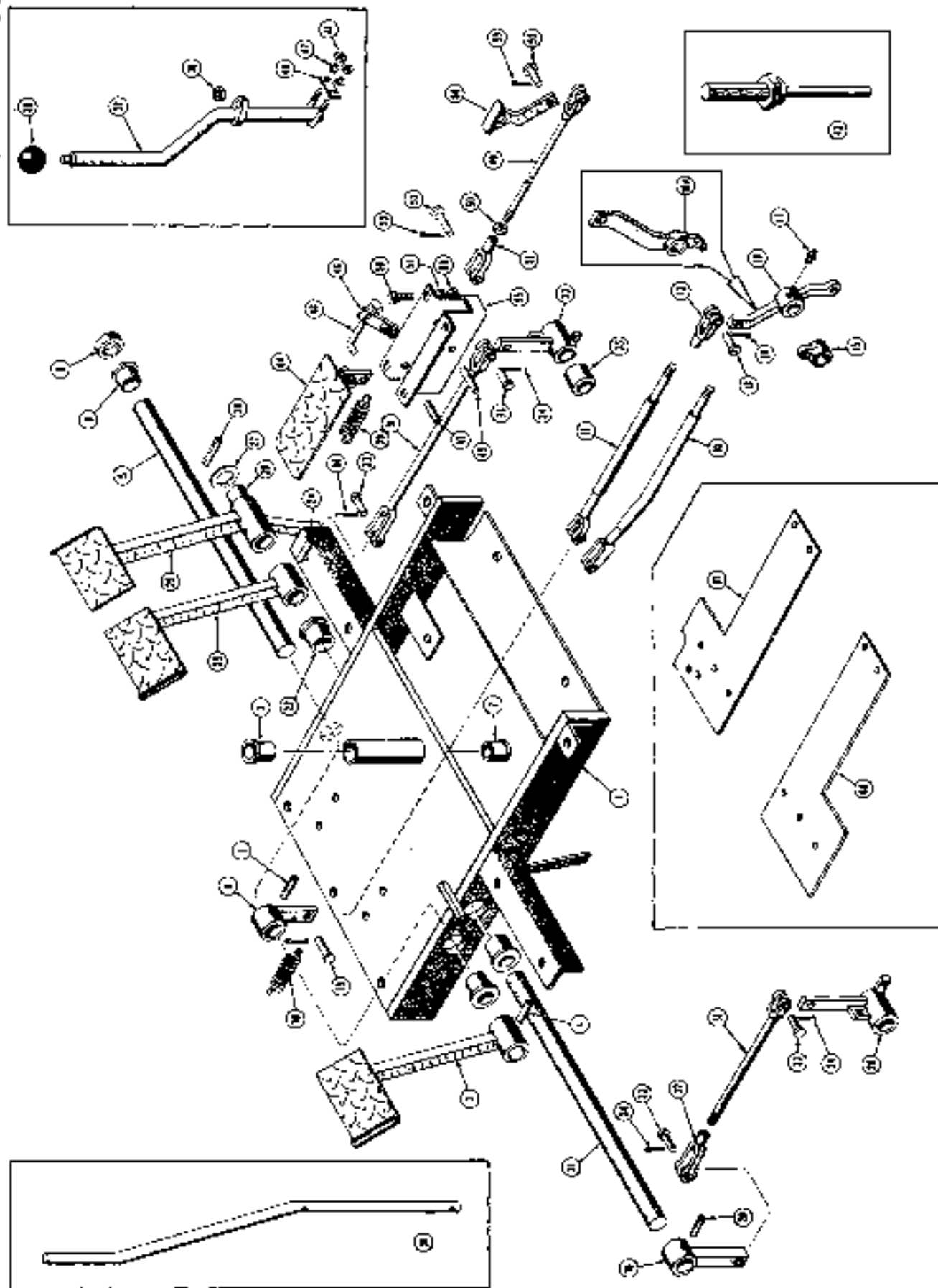
REF.	PART NO.	DESCRIPTION	REQ'D.
1	A 35034	GAUGE - oil pressure	1
2	G 44874	SWITCH - key, ignition (Gas models) Use A20453	1
	A 20463	SWITCH - key, ignition (Gas models)	1
	A 21487	SWITCH - key, ignition (Diesel models)	1
3	A 20621	KEY - ignition switch	2
4	A 35035	LAMP - generator indicator (12 volt)	1
5	G 44837	LENS AND BEZEL - generator indicator lamp	1
6	A 35036	SOCKET - generator indicator lamp	1
7	A 24080	GAUGE - temperature	1
8	A 35038	WIRE - ignition switch to oil pressure and temperature gauges	1
9	A 35039	WIRE - safety switch to front wire harness	1
10	A 35041	HARNES - front wire, complete	1
11	A 35042	HARNES - front wire, upper half	1
12	A 35043	HARNES - front wire, lower half	1
13	A 35040	HARNES - rear wire, complete	1
14	A 35033	UNIT - sending, oil pressure	1
15	A 21462	UNIT - sending, temperature	1
16	A 35297	CORP - safety switch wire and lower half of front wire harness to gear shift cover and control valve	2
17	A 20990	SWITCH - safety	1
18	A 20991	BOOT - safety switch	1



FOOT PEDALS AND LINKAGE

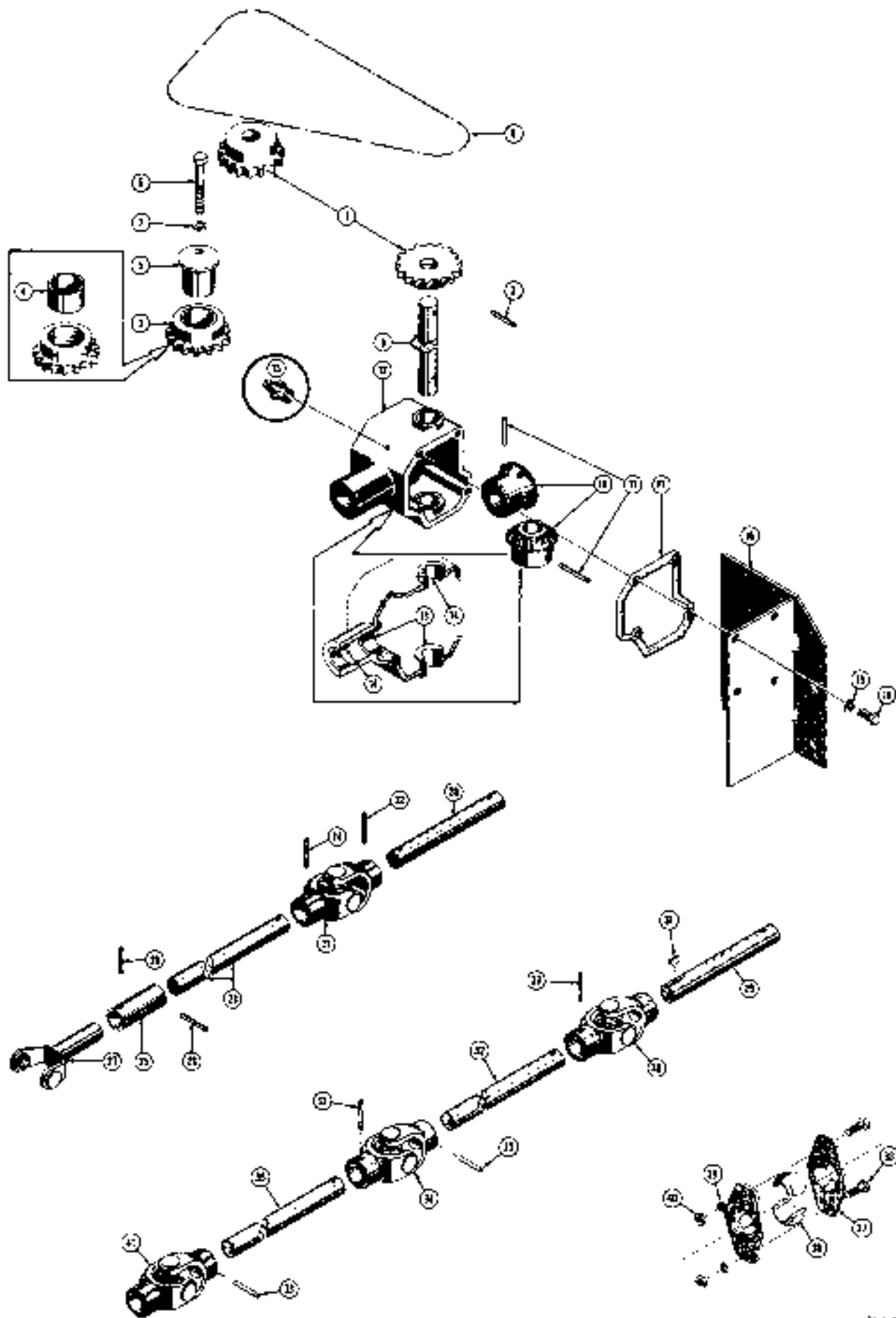
REF.	PART NO.	DESCRIPTION	REQ'D.
1	D 24210	FRAME - pedals	1
2	D 24216	BUSHING - steering column	2
	13- 62B	WASHER - 3/8" - 16 NC x 1-3/4" (Not shown)	2
	52- 6	WASHER - med. sec. lock (3/8") Not shown	2
	25- 10G	NUT - hex. (3/8" - 16 NC) Not shown	2
3	D 24198	PEDAL - clutch	1
4	138- 138	PIN - roll, clutch pedal (1/4" x 1-1/2")	1
5	D 24200	SHAFT - cross, clutch (18" long)	1
6	D 24202	ARM - clutch	1
7	138- 13E	PIN - roll, clutch arm (1/4" x 1-1/2")	1
8	D 24206	BUSHING - clutch cross shaft	2
9	D 24203	COLLAR - set screw, clutch shaft (R.H.)	1
10	D 24228	ROD - throwout, clutch (Model M420)	1
11	D 24227	ROD - throwout, clutch (Used on Models 310B, 430, and 440 Fork Lifts before serial no. 4065701) See D28965	1
	D 28966	ROD - throwout, clutch (Used on Models 430 and 440 Fork Lifts serial no. 4065701 and after) See D24227	1
12	D 24221	YOKE - throwout rod, rear	1
13	D 24291	PIN - yoke	2
14	132- 47	PIN - cotter (1/8" x 7/8")	2
15	D 24231	LEVER - throwout, clutch (Model M420)	1
16	D 24230	LEVER - throwout, clutch (Used on Models 310B, 430, and 440 Fork Lifts before serial no. 4065701) See D28967	1
16A	D 28967	LEVER - throwout, clutch (Used on Models 430 and 440 Fork Lifts serial no. 4065701 and after) See D24230	1
17	219- B	FITTING - straight grease (1/0" - 28 NF)	1
18	D 24216	SPRING - clutch return	1
19	D 24199	ARM - brake	1
20	138- 13G	PIN - roll, brake arm (1/4" x 1-1/2")	1
21	D 24201	SHAFT - brake, cross (20-1/2" long)	1
22	D 24206	BUSHING - brake cross shaft	2
23	D 24204	PEDAL - brake, L.H.	1
24	138- 13H	PIN - roll, L.H. brake pedal (1/4" x 1-1/2")	1
25	D 24205	PEDAL - brake, R.H.	1
26	D 26052	BUSHING - brake pedal	1
27	195- 53	WASHER - flat (1-1/16" I.D. x 2" O.D. x 11/64" thick)	1
28	138 104	PIN - roll, brake pedal retaining (3/16" x 2")	1
29	D 24216	LEVER - brake, L.H. (Used before fork lift serial no. 10R)	1
	D 25795	LEVER - brake, L.H. (Used on fork lift serial no. 10R and after)	1
	212- 11	FITTING - grease, straight (3/16" drive) Not shown	1
30	D 24214	LEVER - brake, R.H. (Used before fork lift serial no. 10R)	1
	D 25794	LEVER - brake, R.H. (Used on fork lift serial no. 10R and after)	1
31	D 24220	YOKE AND ROD - brake rod, rear (Straight) Used before fork lift serial no. 10R	2
32	D 24221	YOKE - brake rod front	1
	25- 11B	NUT - hex. (1/2" - 20 NF) Not shown	1
31	D 25793	YOKE AND ROD - brake rod, rear (Curved) Used on fork lift serial no. 10R and after	2
32	D 24221	YOKE - brake rod, front	1
	25- 11B	NUT - hex. (1/2" - 20 NF) Not shown	1
33	D 24291	PIN - yoke	4
34	132- 47	PIN - cotter (1/8" x 7/8")	4
35	D 24223	SPACER - R.H. brake lever (1-1/4" long)	1
36	D 24224	LEVER - hand, brake release	1
37	D 24225	EXTENSION - gear shift lever	1
38	25- 11C	NUT - hex. (3/8" - 24 NF)	1
39	A 26727	KNOB - gear shift lever	1
40	D 24226	PLATE - clamp	1

(Cont'd on next page)



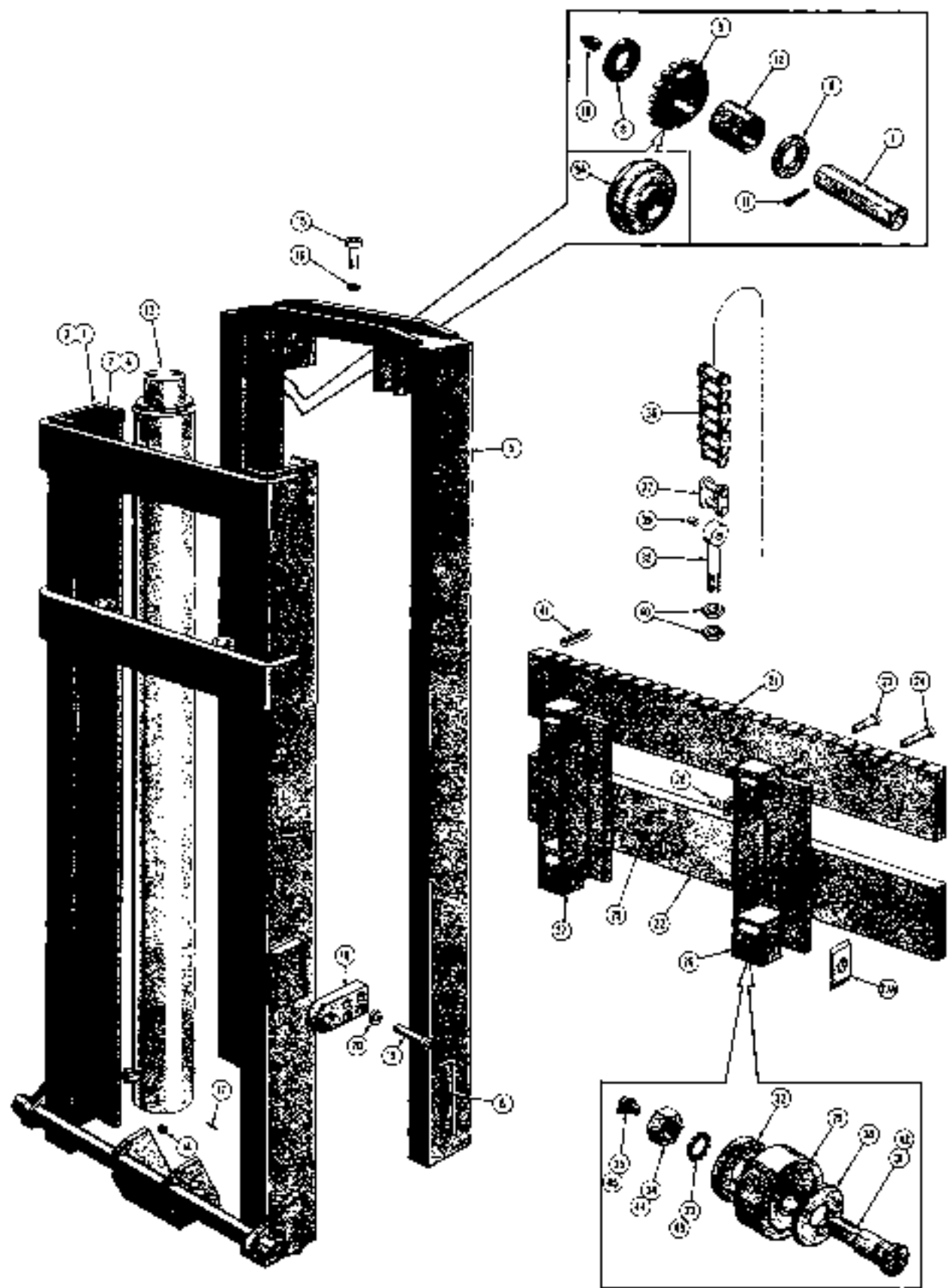
FOOT PEDALS AND LINKAGE

REF.	PART NO.	DESCRIPTION	REQ'D.
41	25- 103	NUT - hex. (5/16" - 18 NC)	2
42	92- 5	WASHER - med. sec. lock (5/16")	2
43	D 24219	DIPSTICK - transmission	1
44	D 24208	PEDAL - foot throttle	1
45	138- 138	PIN - roll, foot throttle (1/4" x 1-1/2")	1
46	D 24209	ARM - foot throttle	1
47	138- 148	PIN - roll, foot throttle arm (1/4" x 1-1/2")	1
48	D 24214	LINK - pedal to arm	1
49	D 24211	ROD - throttle link	1
50	25- 114	NUT - hex. (1/4" - 20 NF)	1
51	D 24212	YOKE - rod	1
52	D 24213	PIN - yoke	2
53	132- 6	PIN - cotter (1/16" x 7/16")	2
54	D 24217	LEVER - throttle	1
55	D 24215	HOUSING - foot throttle linkage (Used only with E2420; floor plate)	1
56	171- 223	FRMS - 1/4" - 20 NC x 1"	4
57	92- 4	WASHER - med. sec. lock (1/4")	4
58	25- 104	NUT - hex. (1/4" - 20 NC)	4
59	D 24216	SPRING - foot throttle return	1
60	D 23175	PLATE - stop, L.H. inner	1
61	D 23176	PLATE - stop, R.H. inner	1



STEERING CHAIN DRIVE AND LINKAGE

REF.	PART NO.	DESCRIPTION	REQ'D.
1	D 24192	SPROCKET - steering column and gear box (19 tooth)	2
2	138- 143	PIN - roll, sprocket (1/4" x 2-1/4")	2
3	D 24232	SPROCKET - tightener (19 tooth)	1
4	D 24233	BUSHING - sprocket, tightener	1
5	D 24234	ECCENTRIC - chain tightener	1
6	13- 640	HHCS - 3/8" - 16 NC x 3"	2
7	92- 5	WASHER - med. sec. lock (3/8")	2
8	D 24235	CHAIN - steering drive (American Standard #40 roller chain) 38-1/2" long	1
	R 12470	SECTION - chain (Includes 49 riveted links and 1 connecting link)	2
	B 12472	SECTION - chain (Includes 3 riveted links and 1 connecting link)	1
	B 12501	LINK - connecting	LAR
	B 12502	LINK - offset	LAR
9	D 24243	SHAFT - gear box (8-1/4" long)	1
10	D 24243	GEAR - meter (25 tooth)	2
11	138- 136	PIN - roll, gear (1/4" x 1-1/4")	2
12	D 24243	BOX - gear	1
13	D 24246	BUSHING - gear box (Flanged)	2
14	D 24247	BUSHING - gear box (Straight)	2
15	219- 13	FITTING - grease, straight (1/16" drive) Used on fork lift serial no. 10R and After	1
	219- 1	FITTING - grease, straight (1/8" NPT) Used before fork lift serial no. 10R	1
16	D 24244	BRACKET - mounting, gear box cover	1
17	D 24245	GASKET - gear box cover	1
18	13- 513	HHCS - 5/16" - 18 NC x 3/4"	4
19	92- 5	WASHER - med. sec. lock (5/16")	4
STEERING SHAFT ARRANGEMENT USED UP TO FORK LIFT SERIAL NO. 10R			
20	D 24250	SHAFT - gear box (7-1/4" long) Universal joint pinned to shaft	1
21	D 24191	JOINT - universal, steering shaft	1
22	138- 136	PIN - roll (1/4" x 1-1/4")	1
23	D 24241	SHAFT - joint to coupling (24-1/8" long)	1
24	138- 138	PIN - roll (1/4" x 1-1/2")	1
25	D 24342	COUPLING - steering shaft	1
26	138- 135	PIN - roll (1/4" x 1-1/8")	1
27	D 24251	SHAFT - with universal joint yoke	1
28	138- 138	PIN - roll (1/4" x 1-1/2")	1
STEERING SHAFT ARRANGEMENT USED FROM FORK LIFT SERIAL NO. 10R			
29	D 25784	SHAFT - gear box (7-1/4" long) Universal joint keyed to shaft	1
30	D 25785	JOINT - universal, steering shaft	1
	219- 40	FITTING - grease, 67-1/2" (1/8" NPT) Not shown	1
31	136- 128	KEY - Woodruff, front joint (#13)	1
32	D 25786	SHAFT - steering, front section (30-1/4" long)	1
33	138- 138	PIN - roll (1/4" x 1-1/2")	4
34	D 25785	JOINT - universal, center	1
	219- 40	FITTING - grease, 67-1/2" (1/8" NPT) Not shown	1
35	D 25787	SHAFT - steering, rear section (23" long) Gas models only	1
	D 26926	SHAFT - steering, rear section (24-1/4" long) Diesel models only	1
36	D 25789	BEARING - shaft	2
37	D 26465	SOCKET - bearing	2
38	13- 515	HHCS - 5/16" - 18 NC x 1"	2
39	92- 5	WASHER - med. sec. lock (5/16")	2
40	25- 105	NUT - hex. (5/16" - 18 NC)	2
41	D 25788	JOINT - universal, rear	1
	219- 40	FITTING - grease, 67-1/2" (1/8" NPT) Not shown	1

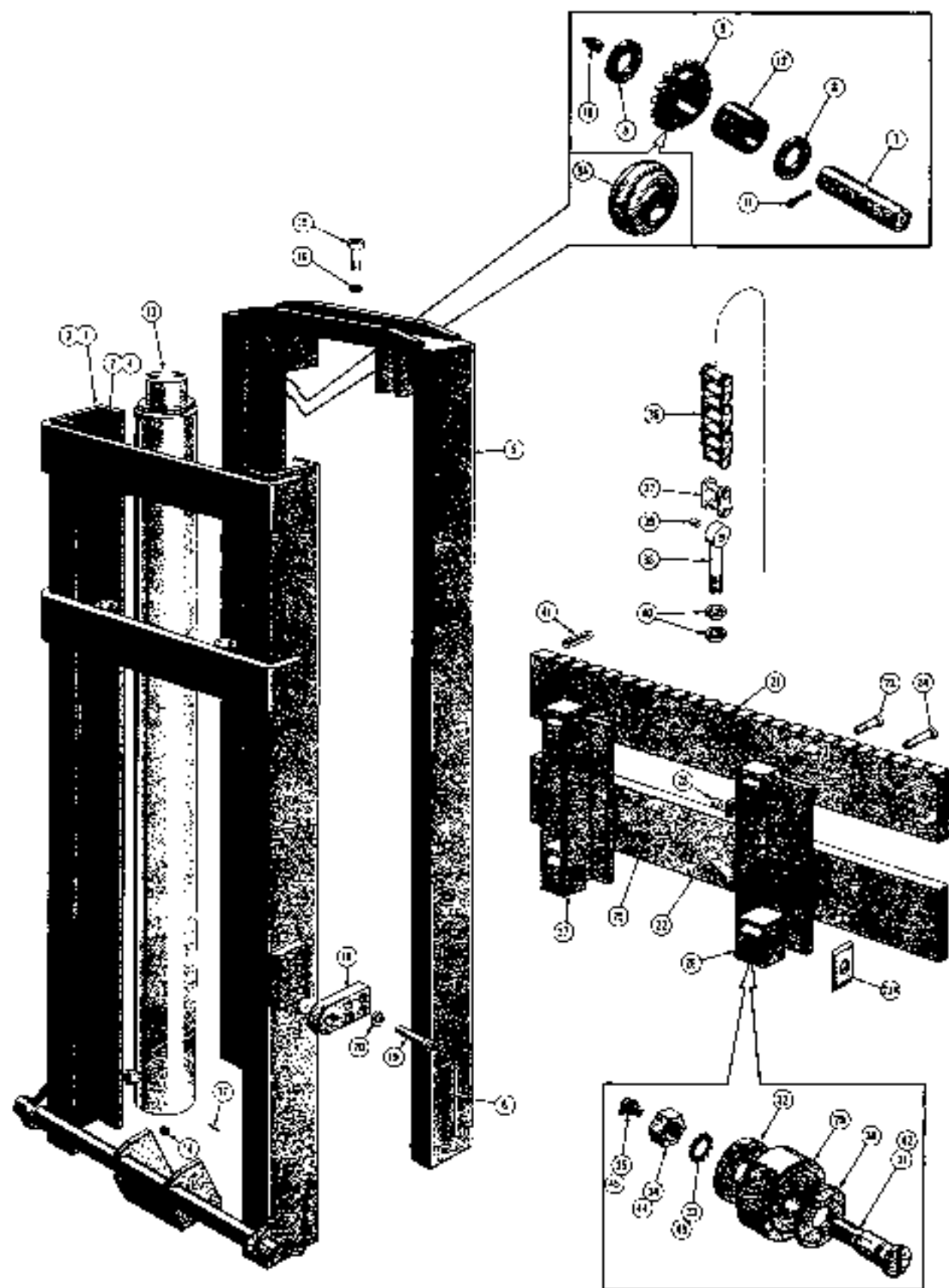


MAST (10'6" AND 14'3")

REF.	PART NO.	DESCRIPTION	REQ'D.
	D 24236	MAST - complete, 10'6" (10° forward tilt) See mast no. D32275	1
	D 32275	MAST - complete, 10'6" (20° forward tilt) See mast no. D24236	1
	D 24237	MAST - complete, 14'3" (10° forward tilt) See mast no. D32276	1
	D 32276	MAST - complete, 14'3" (20° forward tilt) See mast no. D24237	1
1	D 24322	CHANNEL - outer, 10'6" mast (10° forward tilt) See D32573	1
	D 32573	CHANNEL - outer, 10'6" mast (20° forward tilt) See D24322	1
2	D 27366	PLATE - wear, outer channel leg (1/8" x 1-1/4" x 7")	4
	D 32553	PLATE - wear, outer channel side (1/8" x 1-1/4" x 5")	2
3	D 24323	CHANNEL - outer, 14'3" mast (10° forward tilt) See D32574	1
	D 32574	CHANNEL - outer, 14'3" mast (20° forward tilt) See D24323	1
4	60972	PLATE - wear, outer channel (1/8" x 1-1/4" x 11")	5
5	D 24330	CHANNEL - inner (10'6" masts)	1
	60950	CHANNEL - inner (14'3" masts)	1
6	60974	PLATE - wear, inner channel (1/8" - 1-1/4" x 11")	5
7	60939	PIN - sprocket	2
8	60949	WASHER - thrust	6
9	60942	SPROCKET - lift chain, with teeth (Used with roller chain) See D32588	2
9A	D 32588	SPROCKET - lift chain, without teeth (Used with D32588 and D32587 rollerless chain only) See 60942	2
10	219- 13	FITTING - grease, straight drive (3/16")	2
11	132 99	PIN - cotter (3/16" x 2')	2
12	60943	BEARING - sprocket	2
13	D 24173	CYLINDER - lift, 10'6" mast (See page 43 for breakdown)	1
	60969	CYLINDER - lift, 14'3" mast (See page 43 for breakdown)	1
14	211- 15	SHA. - cylinder pivot (5/8" dia. steel) Early production	1
15	62- 914	SCREW - socket head cap (1/2" - 20 NF x 1-1/2")	2
16	92- 6	WASHER - med. sec. lock (1/2")	2
17	139- 126	PIN - roll, cylinder retainer (1/4" x 1-1/4")	1
18	D 24326	BRACKET - lift cylinder, removable (Early production)	2
19	61- 1024	SCREW - socket head cap (5/8" - 11 NC x 1-1/2")	9
20	92 11	WASHER - med. sec. lock (5/8")	8
21	D 24324	PLATE - backing, upper	1
22	D 24325	PLATE - backing, lower	1
23	61- 820	SCREW - socket head cap (1/2" - 13 NC x 1-1/4")	8
24	61- 826	SCREW - socket head cap (1/2" - 13 NC x 1-3/4")	9
25	25- 148	NUT - hex., jam (1/2" - 13 NC)	16
26	*D 28940	CARRIAGE - R.H. (Models M420 and 310B)	1
	*D 20944	CARRIAGE - R.H. (Models 430 and 440)	1
27	*D 28941	CARRIAGE - L.H. (Models M420 and 310B)	1
	*D 28945	CARRIAGE - L.H. (Models 430 and 440)	1
27A	D 28943	PLATE - wear, carriage	2
28	D 25190	BUSHING - chain connecting	1
29	60915	ROLLER - load	4
30	60917	WASHER - thrust	4
31	60914	PIN - load roller (Use D24319)	4
	D 24319	PIN - (When stock is exhausted, use D36811)	4
32	60910	WASHER - spacer	4
33	193- 14	WASHER - lock, Shakeproof (3/8")	4
34	25- 1510	NUT - hex., jam (5/8" - 18 NF)	4
35	219- 13	FITTING - grease, straight	4

*NOTE: Carriages must be aligned and drilled at time of installation.

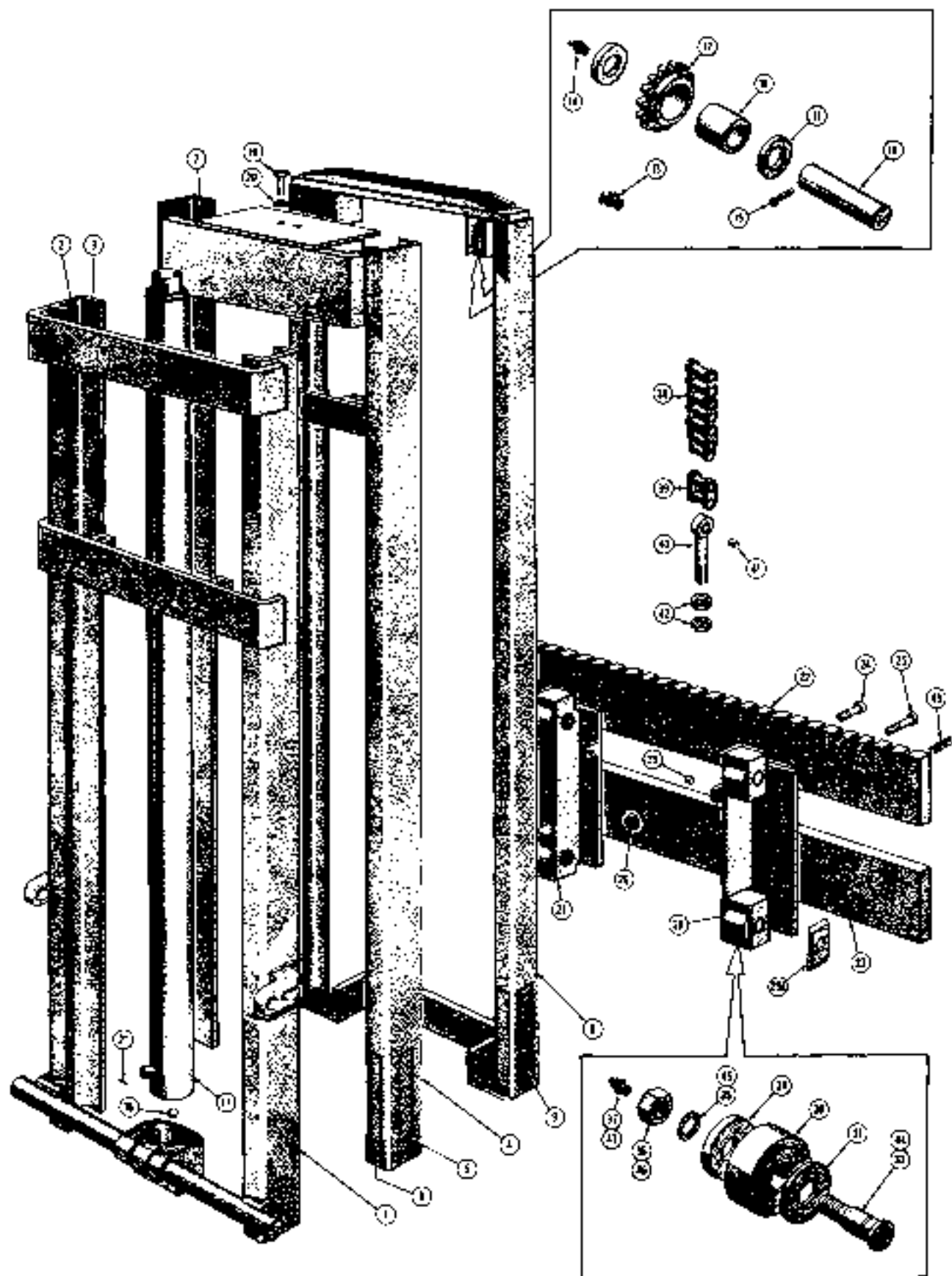
(Cont on next page)



MAST (10'6" AND 14'3")

REF.	PART NO.	DESCRIPTION	REQ. Q.
36	*D 24331	CHAIN - roller, lift (10'6" mast) 95 riveted links #80 chain	2
	*D 26195	CHAIN - roller, lift (10'6" mast) 93 riveted links #80 chain	2
	* 60946-120	CHAIN - roller, lift (14'3" mast) 119 riveted links #80 chain (Use D26197)	2
	*D 26197	CHAIN - roller, lift (14'3" mast) 107 riveted links #80 chain	2
	*D 28942	CHAIN - roller, lift (14'3" mast) 105 riveted links #80 chain	2
	*D 32586	CHAIN - rollerless, lift (10'6" mast) 93 riveted links #85 chain (Use with D32588 sprocket only)	2
	*D 32587	CHAIN - rollerless, lift (14'3" mast) 105 riveted links #85 chain (Use only with D32588 sprocket)	2
37	* 60947	LINK - connecting (2" pitch) Use D26164 in pairs	4
	*D 26164	LINK - connecting (2" pitch) When stock is exhausted use D32583	4
	*D 32583	LINK - connecting (2" pitch)	4
38	60948	BOLT - eye, chain anchor	2
39	D 26196	BUSHING - eye bolt	1
40	25- 118	NUT - hex. (1/2" - 20 NF)	4
41	138- 190	ROLL PIN - upper backing plate (7/16" x 2")	2
	D 49811	KIT - axle, load roller	4
42	N85	AXLE - load roller	1
43	.43- 14	WASHER - lock, shakeproof (3/8")	1
44	25- 1510	NUT - hex., jam (5/8" - 18 NF)	1
45	219- 13	FITTING - grease, str. dr. (3/16")	1

*NOTE: Total length of chain and connecting links must be equal for each set.



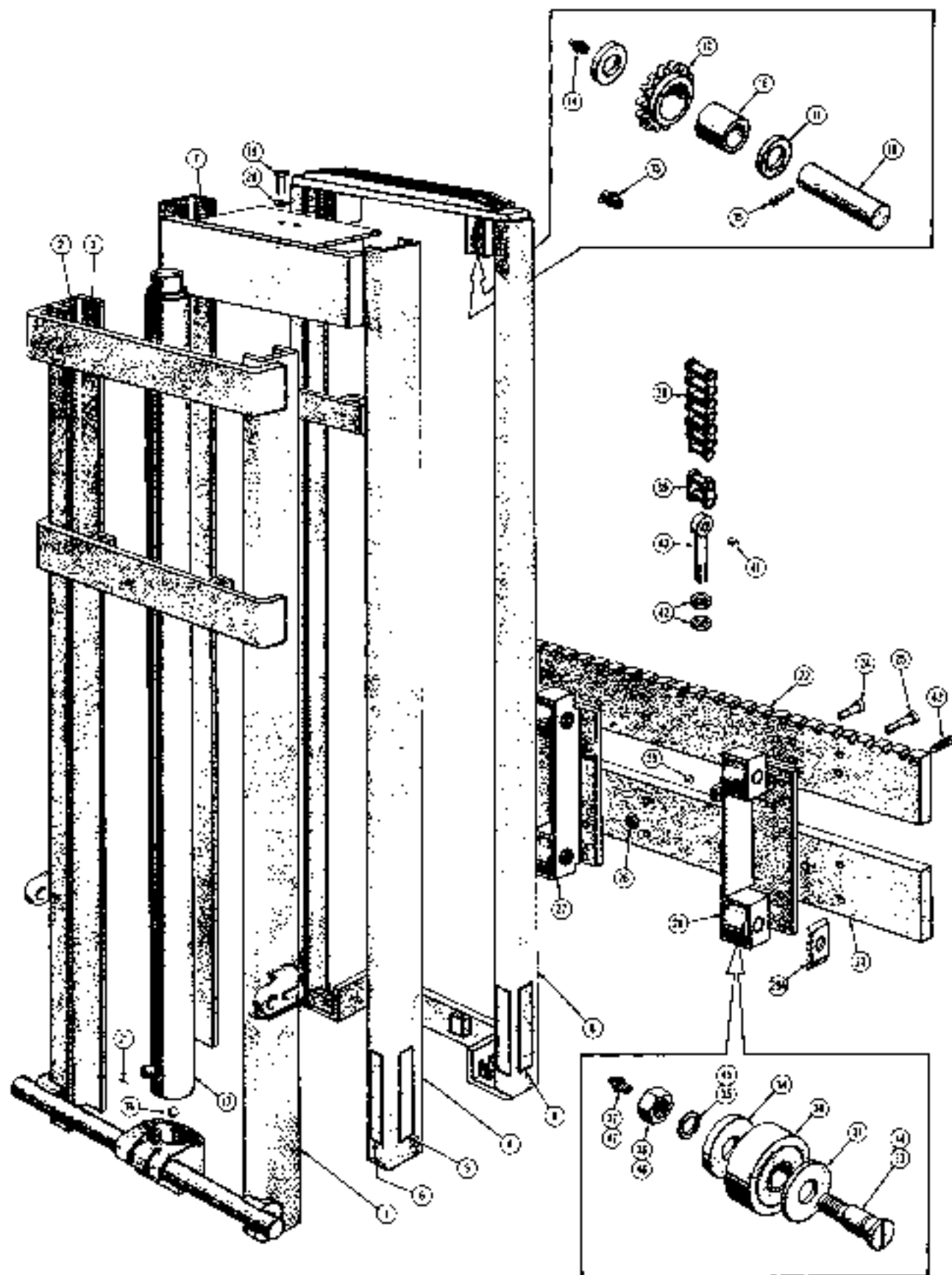
MAST (21'6")

REP.	PART NO.	DESCRIPTION	REQ'D.
	D 24100	MAST - complete (21'6")	1
1	D 24333	CHANNEL - outer	1
2	D 27364	PLATE - wear (1/8" x 1-1/4" x 6") Side	2
3	D 27363	PLATE - wear (3/16" x 1-1/4" x 6") Leg	4
4	D 24334	CHANNEL - center	1
5	D 27362	PLATE - wear (1/8" x 1-1/4" x 10") Side, bottom	2
6	D 27465	PLATE - wear (3/16" x 1-1/4" x 10") Leg, bottom	4
7	D 27364	PLATE - wear (1/8" x 1-1/4" x 6") Top	6
8	D 24335	CHANNEL - inner	1
9	D 27362	PLATE - wear (1/8" x 1-1/4" x 10") Side	2
	D 27362	PLATE - wear (1/8" x 1-1/4" x 10") Leg	4
10	60939	PIN - sprocket (Center and inner channel)	4
11	60944	WASHER - thrust (Center and inner channel)	4
12	60942	SPROCKET - lift chain (Center and inner channel)	4
13	219- 57	FITTING - grease, 90° (1/4" NPT) Center channel	2
14	219- 13	FITTING - grease, straight drive (3/16") Inner channel (See 219-8)	2
	219- 0	FITTING - grease, straight (1/4" NPT) Inner channel (See 219-13)	2
15	132- 99	PIN - roller (3/16" x 2") Center and inner channel	4
16	60942	BEARING - sprocket (Center and inner channel)	4
17	D 24105	CYLINDER - lift, mast (21'6") See page 43 for breakdown	1
18	211- 15	BALL - cylinder pivot (5/8" dia. steel) Early prod. edition	1
19	62- 832	SCREW - socket head cap (1/2" - 20 NF x 2") If used	2
	62- 624	SCREW - socket head cap (1/2" - 20 NF x 1-1/2") If used	2
20	32- 8	WASHER - med. sec. lock (1/2")	2
21	138- 136	PIN - roll (1/4" x 1-1/4") Cylinder retainer	1
22	D 24324	PLATE - backing, upper	1
23	D 24325	PLATE - backing, lower	1
24	61- 020	SCREW - socket head cap (1/2" - 13 NC x 1-1/4")	8
25	61- 428	SCREW - socket head cap (1/2" - 13 NC x 1-3/4")	8
26	35- 143	NUT - hex., jam (1/2" - 13 NC)	16
27	*D 20947	CARRIAGE - L.H. (Used on Models M420, 310B, 430 and 440 Forklifts)	1
28	*D 20946	CARRIAGE - R.H. (Used on Models M420, 310B, 430 and 440 Forklifts)	1
29	D 26196	BUSHING - chain connecting	1
30	D 30943	PLATE - wear	2
30	60915	ROLLER - load	4
31	60917	WASHER - thrust	4
32		RESERVED	2
33	D 24319	PIN - (When stock is exhausted use D36811)	4
34	60916	WASHER - spacer	4
35	193- 14	WASHER - lock, shockproof (5/8")	4
36	75- 1510	NUT - hex., jam (5/8" - 13 NF)	2
37	219- 13	FITTING - grease, straight drive (3/16")	2
	219- 8	FITTING - grease, straight (1/4" NPT)	2
38	**U 24148	CHAIN - lift, outside (113 riveted links #80 roller chain)	2
	**D 26199	CHAIN - lift, outside (113 riveted links #80 roller chain)	2
	**D 24339	CHAIN - lift, inside (123 riveted links #80 roller chain)	2
	**D 26201	CHAIN - lift, inside (121 riveted links #80 roller chain)	2
	D 24870	LINK - chain, roller (#80 chain)	CFR
39	** 60947	LINK - connecting (1" pitch) Use D13563 in pairs	8
	**D 32583	LINK - connecting (2" pitch)	8

*NOTE: Carriages must be drilled and aligned at time of installation.

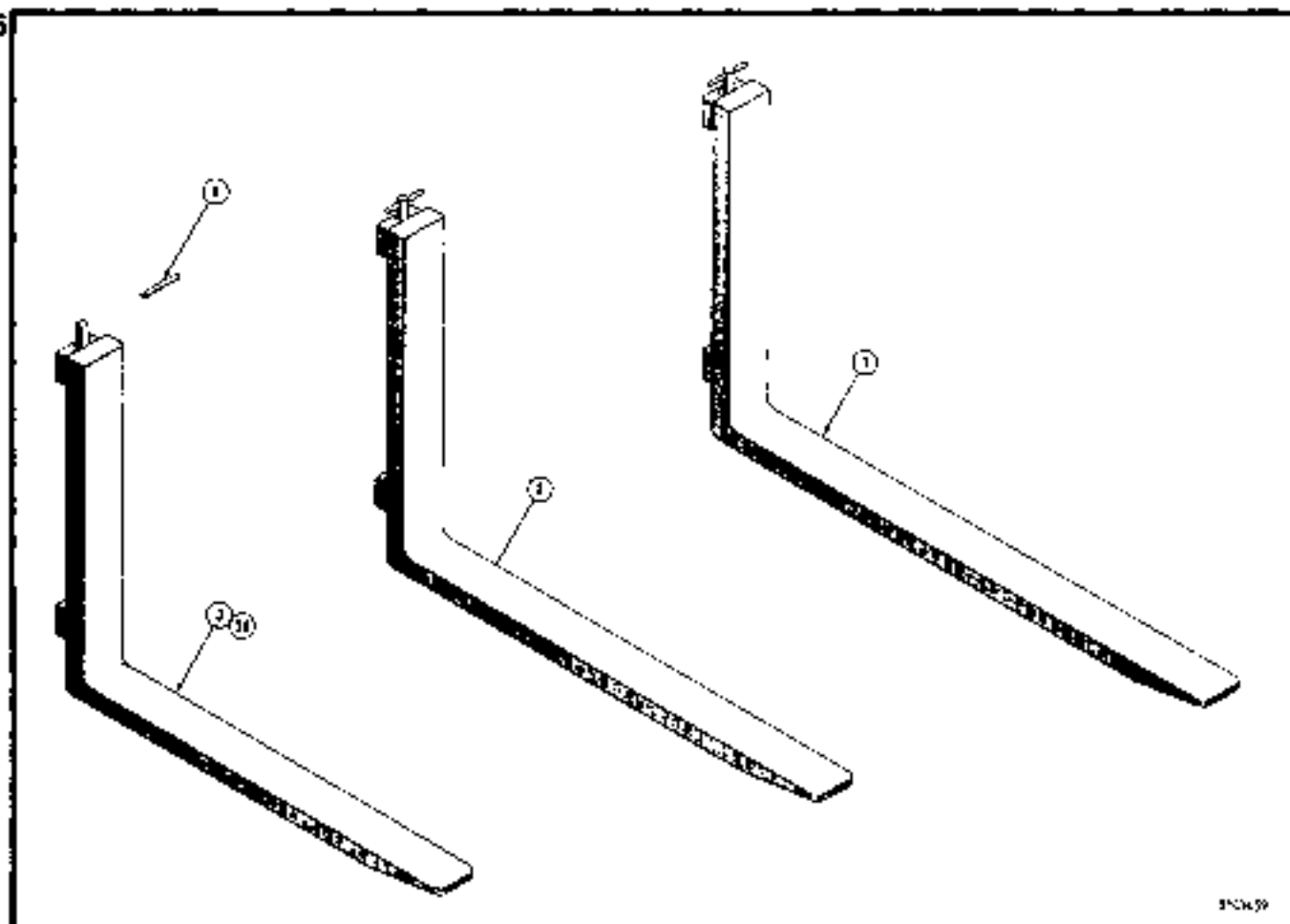
**NOTE: Total length of chain and connecting links must be equal for each set.

(Cont. on next page)

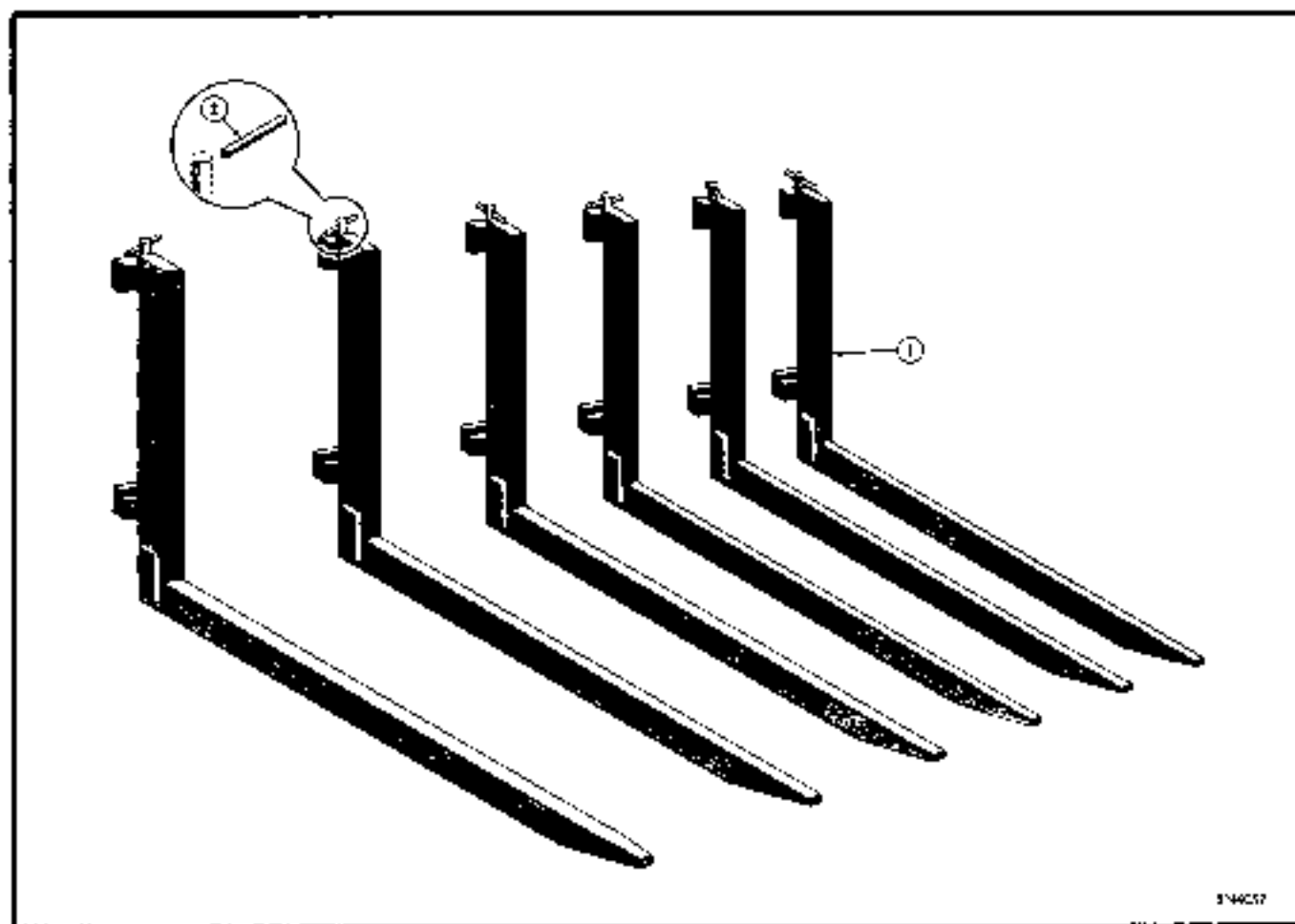


MAST (21'6")

REF.	PART NO.	DESCRIPTION	REQ'D.
40	D 24140	BOLT - eye, chain anchor (Eas 1/2" - 20 NF thread) Use 5004B	6
	5004B	BOLT - eye, chain anchor (Eas 1/2" - 20 NF thread)	4
	D 26100	BOLT - eye, chain anchor (Eas 3/4" - 16 NF thread)	4
41	D 26196	BUSHING - eye bolts	1
42	25- 110	NUT - hex. (1/2" - 20 NF) Used on 1/2" eye bolts ..	0
	25- 151X	NUT - hex., jam (3/4" - 16 NF) Used on 3/4" eye bolts	0
43	118- 190	ROLL PIN - upper backing plate (3/16" x 3")	2
	D 36811	KIT - axle, load roller	4
44	NBB	AXLE - load roller	1
45	193- 14	WASHER - lock, shakeproof (5/8")	1
46	25- 110	NUT - hex., jam (5/8" - 18 NF)	1
47	219- 13	FITTING - grease, str. dr. (3/16")	1



370459



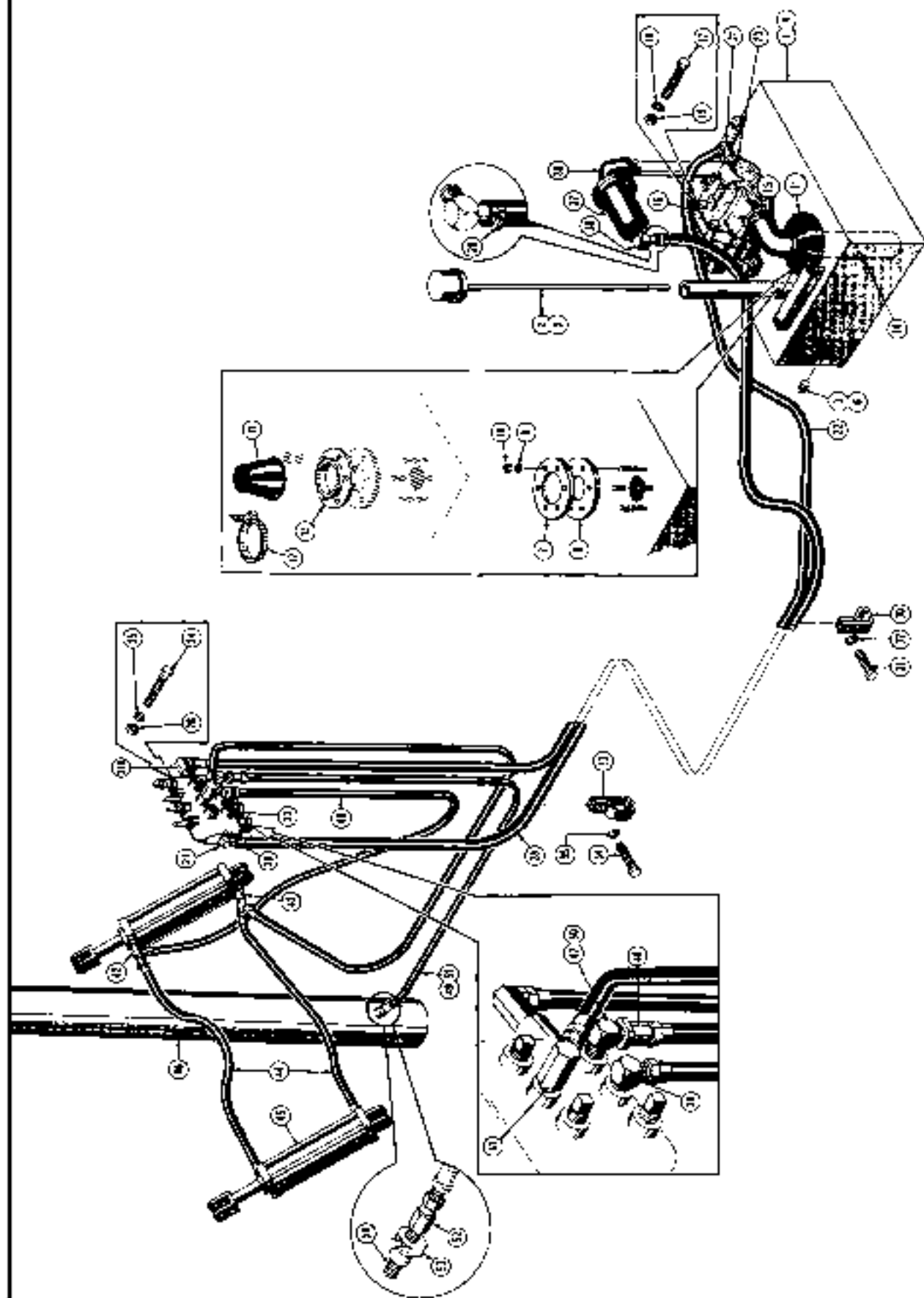
370457

PALLET FORKS (STANDARD AND OPTIONAL)

REF.	PART NO.	DESCRIPTION	REQ'D.
1	D 10464	FORK - pallet (48" length) Standard	2
2	D 10465	FORK - pallet (42" length) Optional	2
3	D 10466	FORK - pallet (36" length) Optional	2
3A	D 10209	FORK - pallet (48" length) heavy duty mast	2
4	138- 104	PIN - roll, handle (3/8" x 2")	1

CEMENT BLOCK FORKS (OPTIONAL)

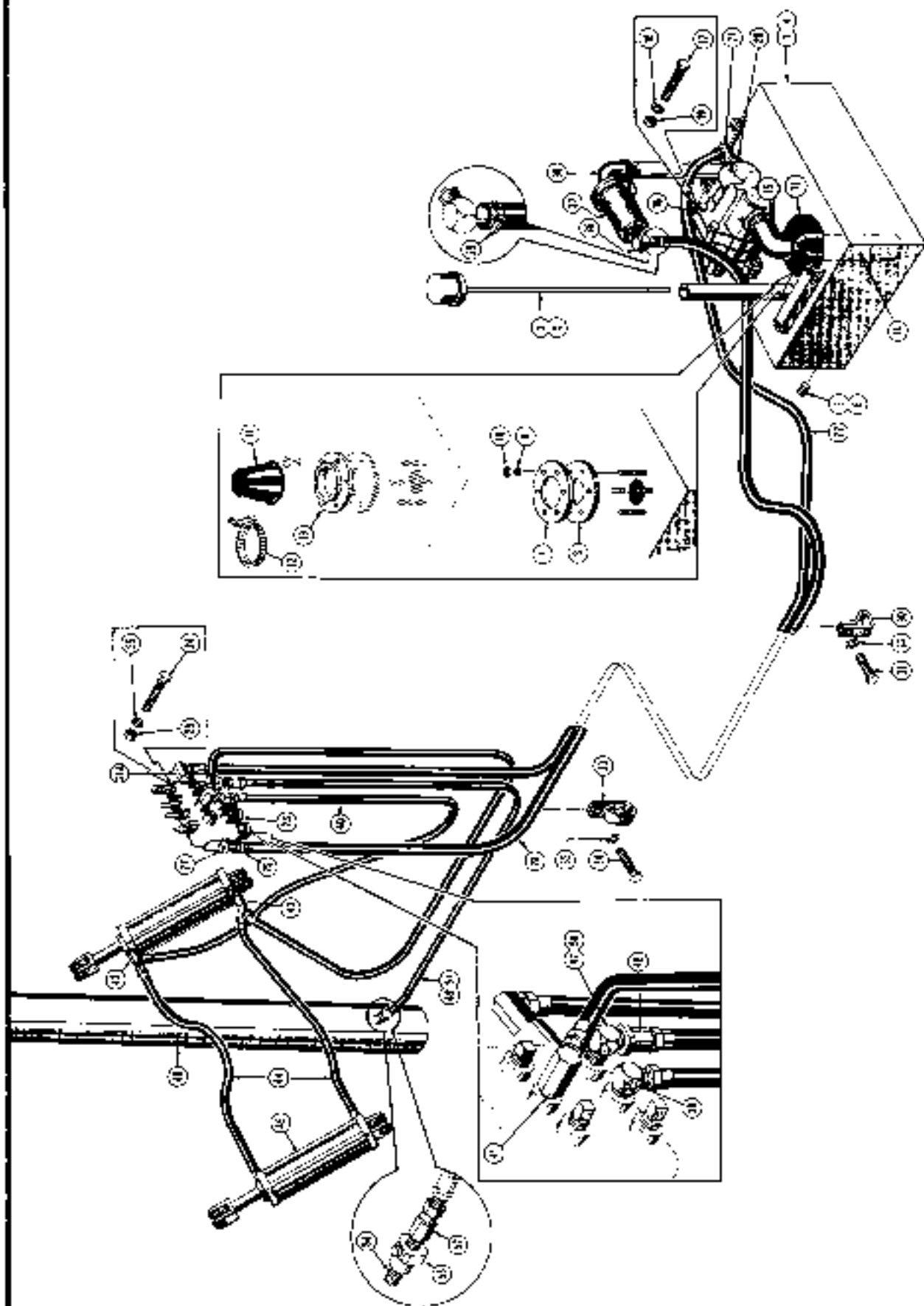
REF.	PART NO.	DESCRIPTION	REQ'D.
1	D 10653	FORK - cement block	6
2	138- 104	PIN - roll, handle (3/8" x 2")	1



BASIC FORK LIFT HYDRAULICS

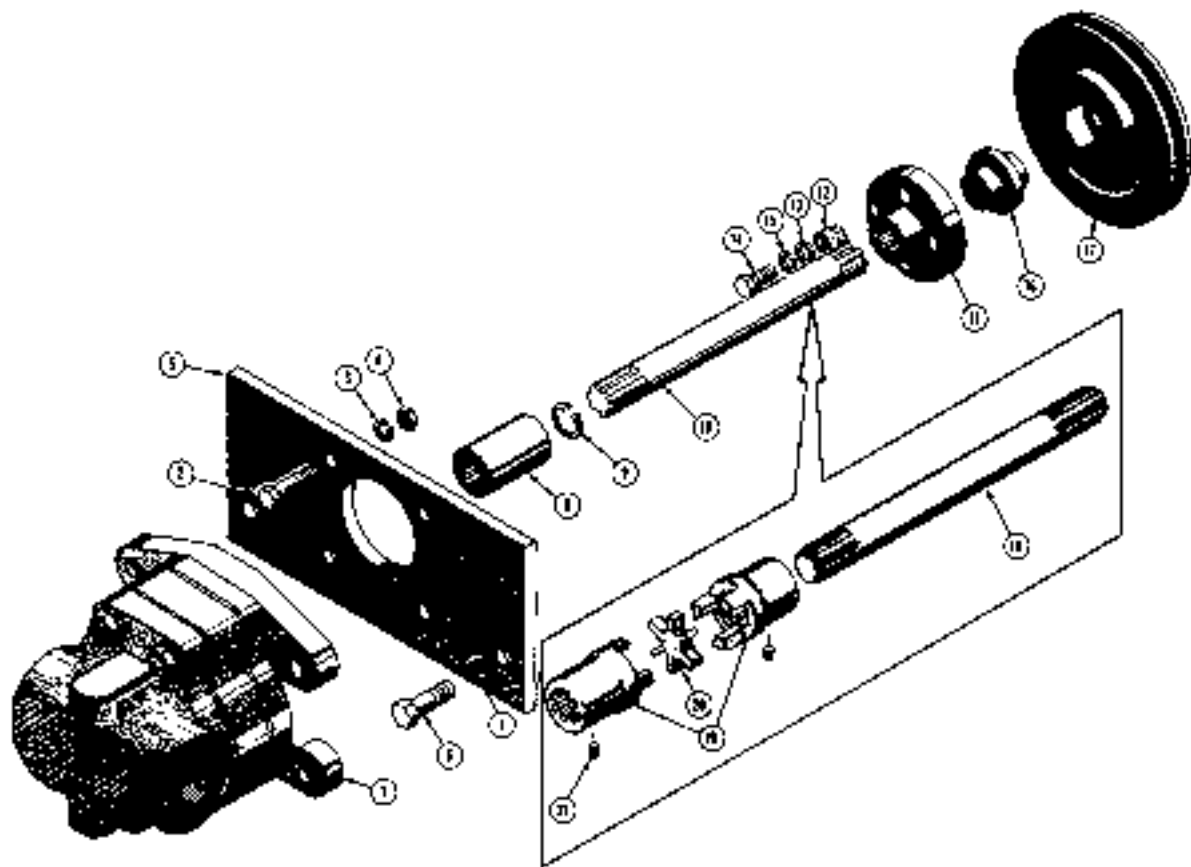
REF.	PART NO.	DESCRIPTION	RFQ'D.
1	D 27503	RESERVOIR - hydraulic oil (Late production, uses D27240 seal)	1
2	D 24165	DIPSTICK - reservoir level	1
3	221- 4	PLUG - drain, square head (1/2" NPT)	1
4	D 24178	RESERVOIR - hydraulic oil (Early production, use D27503 and D27240)	1
5	D 24165	DIPSTICK - reservoir level	1
6	221- 4	PLUG - drain, square head (1/2" NPT)	1
7	D 24166	RETAINER - suction line (Use D27240 and D27239)	1
8	D 24167	SEAL - suction line	1
9	92- 4	WASHER - med. sec. lock (1/4")	6
10	25- 104	NUT - hex. (1/4" - 20 NC)	6
11	D 27260	SEAL - suction line, boot	1
12	214- 263	CLAMP - seal	1
13	D 27239	FLANGE - retaining, seal (Replaces D24166 for D27240 seal)	1
14	221- 300	NIPPLE - pipe, suction line (1-1/2" NPT x 10' long)	1
15	221- 418	ELBOW - street, 90° (1-1/2" NPT)	1
16	D 24038	PUMP - hydraulic (See page 43 for breakdown)	1
17	13- 836	HNCS - 1/2" - 13 NC x 2-1/4"	4
18	92- 8	WASHER - med. sec. lock (1/2")	4
19	25- 108	NUT - hex. (1/2" - 13 NC)	4
20	221- 74	DUSHING - reducing, pump outlet (1-1/2" NPT x 3/4" NPT)	1
21	D 24157	UNION - angle, pump outlet	2
21A	D 27504	UNION - angle, valve inlet (3/4" NPT)	1
	221- 1	PLUG - pipe, square head (1/8" NPT)	1
22	D 24158	HOSE - pump to control valve (3/4" I.D. x 150' long)	1
23	D 24263	VALVE - control, hydraulic (See page 35 for breakdown) Use D28968	1
	D 24048	VALVE - control, hydraulic (See page 37 for breakdown) Use D28968	1
	D 28968	VALVE - control, hydraulic (See page 41 for breakdown)	1
24	13- 636	HNCS - 3/8" - 16 NC x 2-1/4"	4
25	92- 6	WASHER - med. sec. lock (3/8")	4
26	25 106	NUT - hex. (3/8" - 16 NC)	4
27	D 24159	STEM - hose, control valve (3/4" NPT)	1
28	D 24160	HOSE - control valve to filter (1" I.D. x 133" long)	1
29	214- 236	CLAMP - hose	2
30	D 24161	SUPPORT - hose, rear	1
31	13- 1340	HNCS - 3/4" - 10 NC x 2-1/2"	1
32	92- 12	WASHER - med. sec. lock (3/4")	1
33	D 24164	SUPPORT - hose, front	2
34	13- 1016	HNCS - 5/8" - 11 NC x 1"	2
35	92- 10	WASHER - med. sec. lock (5/8")	2
36	D 24162	STEM - hose, filter (1" NPT)	1
37	D 24141	FILTER - hydraulic oil (See page 33 for breakdown)	1
38	221- 416	ELBOW - street, 90° (1" NPT)	1
39	D 24108	ELBOW - special restrictor, bottom port of control valve	1
40	D 24109	HOSE - control valve to R.H. tilt cylinder (1/2" I.D. x 38" long)	2
41	D 24170	UNION - angle, top port control valve	1
42	D 24171	TEE - union adapter (R.H. tilt cylinder ports)	2
43	217- 17	ELBOW - street, 45° (1/2" NPT) Rear port of R.H. tilt cylinder	1
44	D 24172	HOSE - cross-over, tilt cylinder (1/2" I.D. x 38" long)	2
45	D 24000	CYLINDER - hydraulic, 10" mast tilt (Used with all 11'6" masts and with 10'6" and 14'1" masts before fork lift serial no. 4074312) See D27002 (See page 45 for breakdown)	1
	D 27002	CYLINDER - hydraulic, 20" mast tilt (Used with 10'6" and 14'1" masts on fork lift serial no. 40743.2 and after) See D24080 (See page 43 for breakdown)	2
46	D 24173	CYLINDER - mast (10'6" mast) See page 43 for breakdown	1
	D 60969	CYLINDER - mast (14'3" mast) See page 43 for breakdown	1
	D 24175	CYLINDER - mast (21'6" mast) See page 43 for breakdown	1

(Con't on next page)

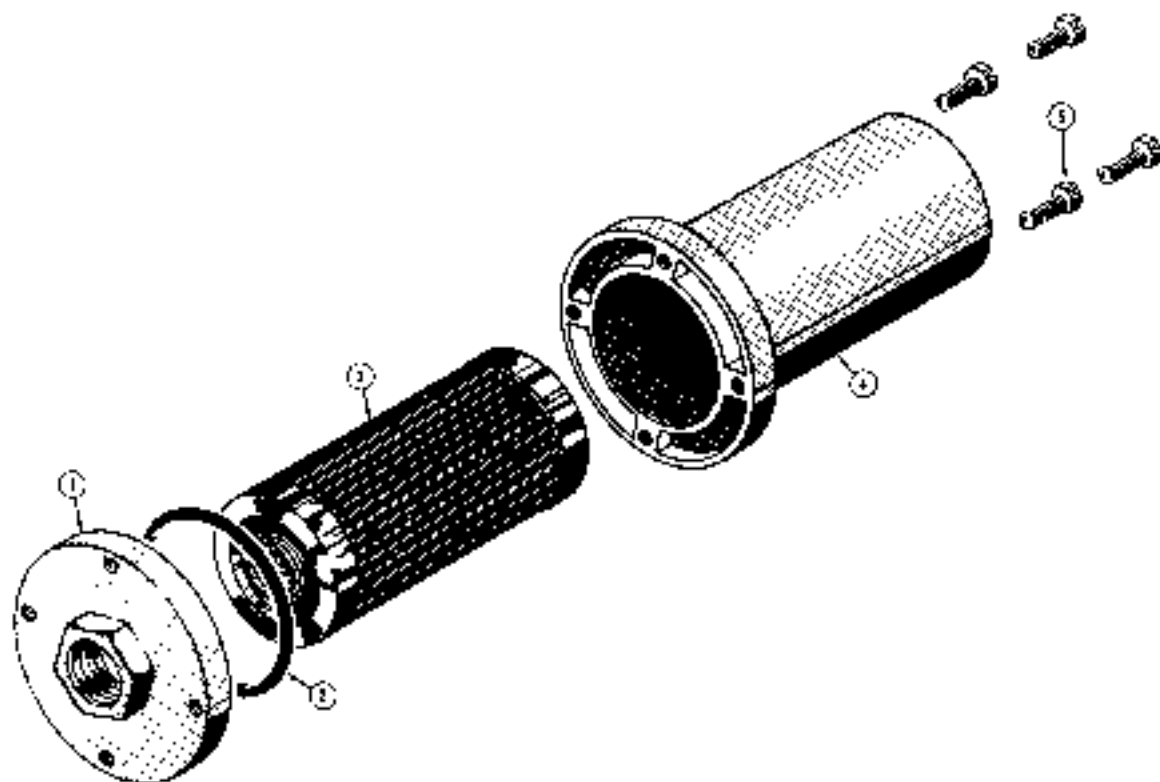


BASIC FORK LIFT HYDRAULICS

REF.	PART NO.	DESCRIPTION	REQ'D.
MAST CYLINDER HYDRAULICS, MODELS M420 AND 310B			
47	D 24176	UNION - adapter, swivel (1/2" NPT)	1
48	D 24177	VALVE - flow control	1
49	D 24159	HOSE - control valve to mast cylinder (1/2" I.D. x 38" long)	1
MAST CYLINDER HYDRAULICS, MODELS 430 AND 440			
50	D 24176	UNION - angle (1/2" NPT)	1
51	D 24159	HOSE - control valve to mast cylinder (1/2" I.D. x 38" long)	1
52	D 38146	UNION - adapter	1
53	D 24177	VALVE - flow control	1
54	321- 185	RIPPLE - pipe (1/2" NPT x 1-1/8" long)	1



N° 1229



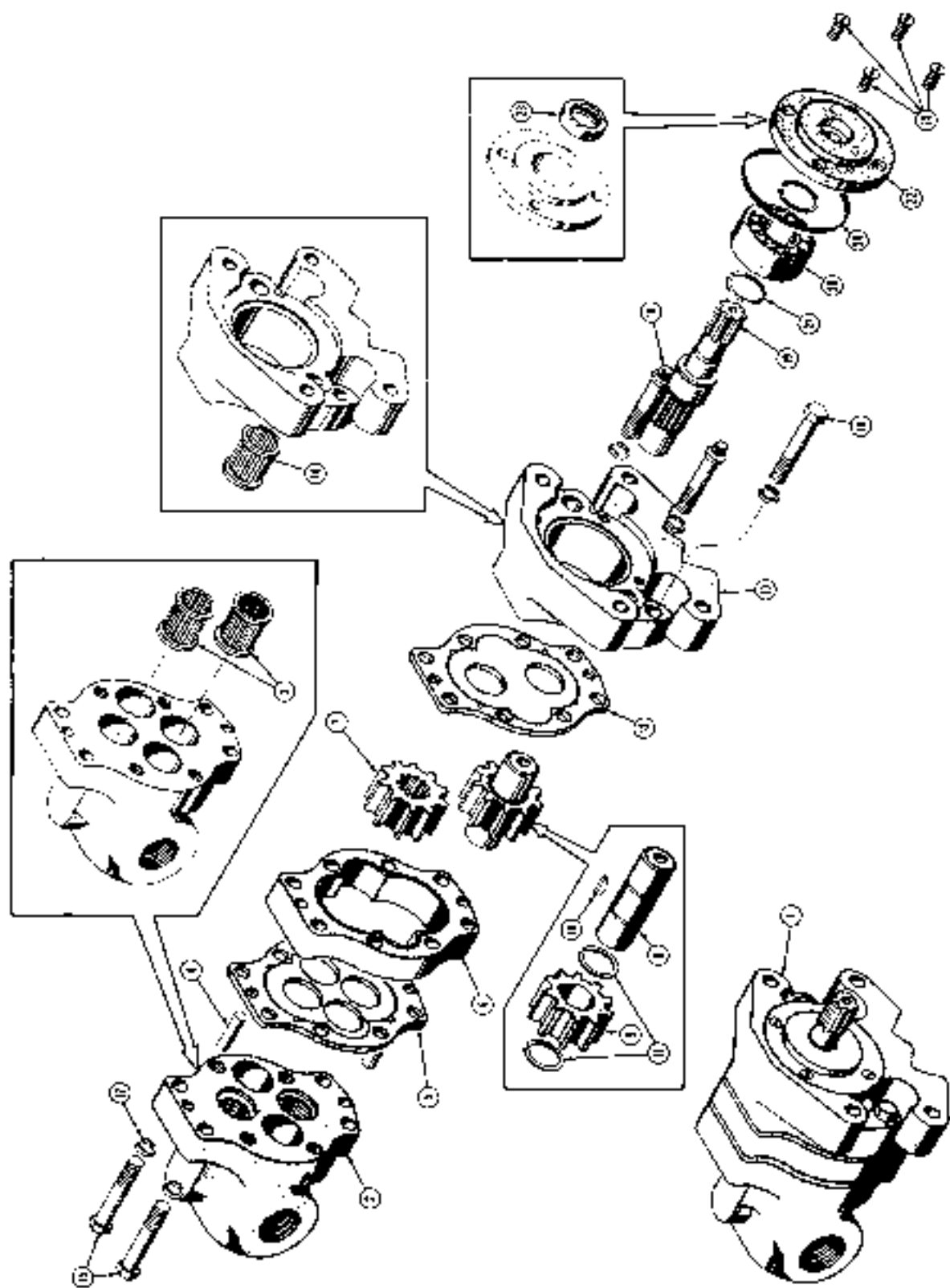
N° 1230

"REAR" HYDRAULIC PUMP DRIVE

REF.	PART NO.	DESCRIPTION	REQ'D.
1	D 2403B	PUMP - hydraulic (See page 35 for breakdown)	1
2	13- 836	NUTS - 1/2" - 13 NC x 2-1/4"	4
3	92- 9	WASHER - med. sec. lock (1/2")	4
4	25- 108	NUT - hex. (1/2" - 13 NC)	4
5	D 24179	BRACKET - pump mounting	1
6	13- 1224	NUTS - 3/4" - 10 NC x 1-1/2"	2
7	92- 12	WASHER - med. sec. lock (3/4")	2
8	36280	COUPLING - shaft to pump (See D29617)	1
9	D 28177	SNAP RING - coupling to shaft	1
10	DR 10512	SHAFT - drive hydraulic pump (Used with 16290 coupling; See D27952)	1
11	G 36217	COUPLING - flexible, pump driveshaft to pulley	1
12	G 36905	BLOCK AND BUSHING - flexible coupling	4
13	VT 3340	WASHER - 29/64" I.D. x 3/4" O.D. x 1/16" thick	4
14	13 124	NUTS - 7/16" - 14 NC x 1-1/2"	4
15	92- 7	WASHER - med. sec. lock (7/16")	4
16	G 11763	NUT - fan drive pulley (When stock is exhausted use A35874)	1
	A 35874	NUT - fan drive pulley	1
17	G 11712	PULLEY - drive, fan and generator (Used before tractor serial no. 6165051)	1
	G 11342	PULLEY - drive, fan and generator (Used on tractor serial no. 6165051 and after)	1
18	D 27952	SHAFT - drive, hydraulic pump (Used with D29617 coupling) See DR10512	1
19	D 29617	COUPLING - shaft to pump (See 16290)	1
20	D 30101	PLATE - center, coupling wear	1
21	83 50	SCREW - set (5/16" - 10 NC x 3/8")	2

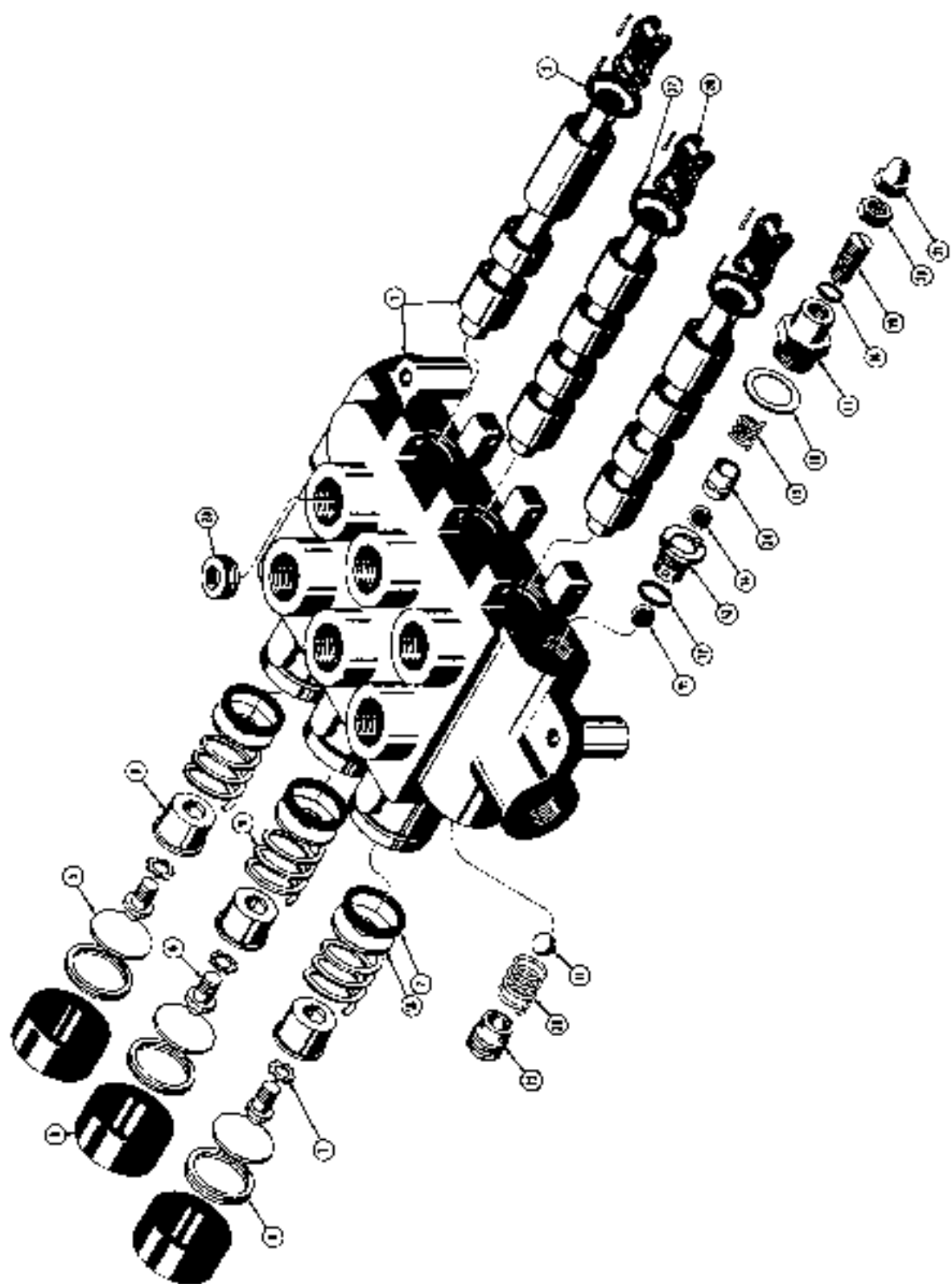
D24141 HYDRAULIC OIL FILTER

REF.	PART NO.	DESCRIPTION	REQ'D.
	D 24141	FILTER - hydraulic oil (1" NPT inlet and outlet)	1
1	D 24332	COVER - filter	1
2	D 21006	SEAL - "O" ring, filter	1
3	D 24142	CARTRIDGE - filter (special by-pass)	1
4	D 24143	HOUSING - filter	1
5	D 21007	BOLT - housing retaining	4



D24038 HYDRAULIC PUMP (17 G.P.M.)

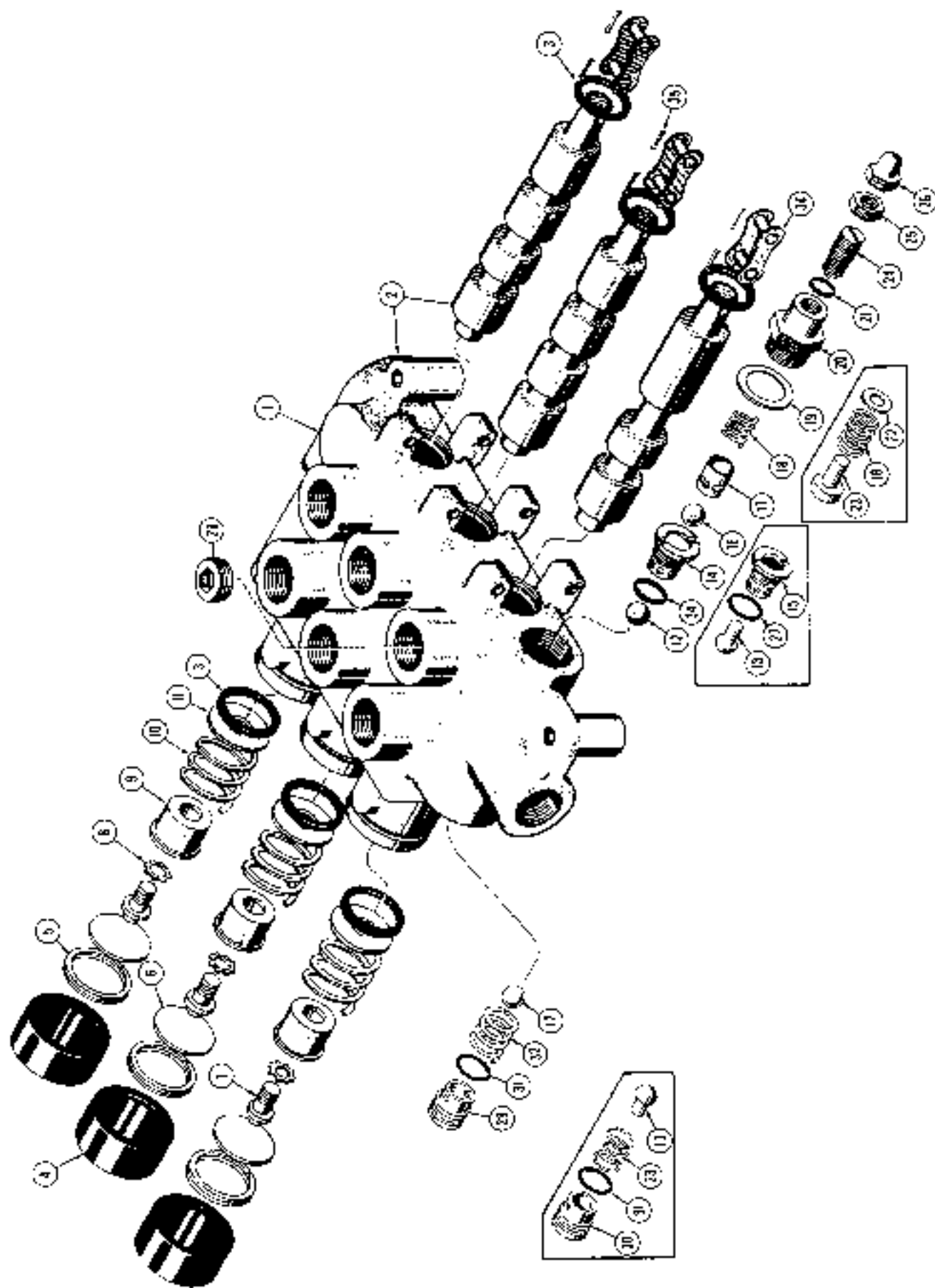
REF.	PART NO.	DESCRIPTION	REQ'D.
1	D 24038	PUMP - hydraulic (17 G.P.M. at 1750 R.P.M.)	1
2	D 24039	COVER - pump	1
3	F 51079	BEARING - needle	2
4	D 21331	PIN - dowel, gear plate and cover	2
5	D 21465	PLATE - wear, pump cover and gear plate	1-2
6	D 24531	PLATE - gear	1
7	D 21343	GEAR - drive	1
8	D 24625	SHAFT - idler	1
9	D 24042	GEAR - idler (when stock is exhausted use D26815)	1
	D 26815	GEAR - idler	1
10	126- 16	KEY - woodruff, idler gear	1
11	34626	SNAP RING - idler gear (when stock is exhausted use D16916)	2
	D 36916	SNAP RING - idler gear	2
12	D 21466	PLATE - wear, pump body and gear plate (Use D21465)	1
13	D 24044	BODY - pump	1
14	F 51079	BEARING - needle	1
15	13- 842	BUSS - 1/2" - 13 NC x 1-5/8"	4
16	13- 846	BUSS - 1/2" - 13 NC x 2-7/8"	2
17	192- 23	WASHER - med. sec. lock (1/2")	6
18	D 21340	SCREW - body (1/2" - 13 NC x 3")	2
19	D 21337	SHAFT - pump drive	1
20	40200	BEARING - ball, driveshaft	1
21	34488	SNAP RING - bearing retainer	2
22	D 24015	PLATE - pilot	1
23	D 24047	SEAL - oil, pilot plate	1
24	D 24053	SEAL - "O" ring	1
25	73 4H	BUSS - 1/4" - 20 NC x 1/2"	4



***D24048 HYDRAULIC CONTROL VALVE**

REF.	PART NO.	DESCRIPTION	REQ'D.
	D 24048	VALVE - control, hydraulic (Use D28968) See page 41 ..	1
1	NSS	HOUSING AND SPOOLS - Use D28968	1
2	36642	SEAL - spool	6
3	36645	CAP - rubber	3
4	36633	SNAP RING - stop disc	3
5	36631	DISC - stop	3
6	36626	BOLT - spring	3
7	36644	WASHER - lock (Use 36628)	3
	36628	WASHER - lock	3
8	36630	COLLAR - stop	3
9	36632	SPRING - centering	3
10	36650	WASHER - stop	3
11	O 4896 CS	BALL - check, nylon (9/16" dia.)	2
12	34119	SEAL - "O" ring (Use 08416AD)	1
	O 8416 AB	SEAL - "O" ring	1
13	36635	SEAT - relief valve	1
14	O 7210 AB	BALL - relief valve (Use 211-13)	1
	211-13	BALL - relief valve	1
15	D 24049	SPRING - relief valve	1
16	34115	GASKET - relief valve body	1
17	34113	BODY - relief valve	1
18	34112	SEAL - "O" ring, adjusting screw (Use WT2903)	1
	WT 2903	SEAL - "O" ring, adjusting screw	1
19	34110	SCREW - adjusting	1
20	34111	NUT - jam, adjusting screw	1
21	34109	CAP - nut, adorn	1
22	36634	PLUG - check ball	1
23	D 23723	PLUG - port	3
24	D 24289	COLLAR - jam, relief valve seat (Not required - no longer furnished)	1
25	D 27341	SPRING - lower check ball	1
26	D 24140	LINK - handle	3
27	35333	PIN - rubber (5/32" x 1/2")	6

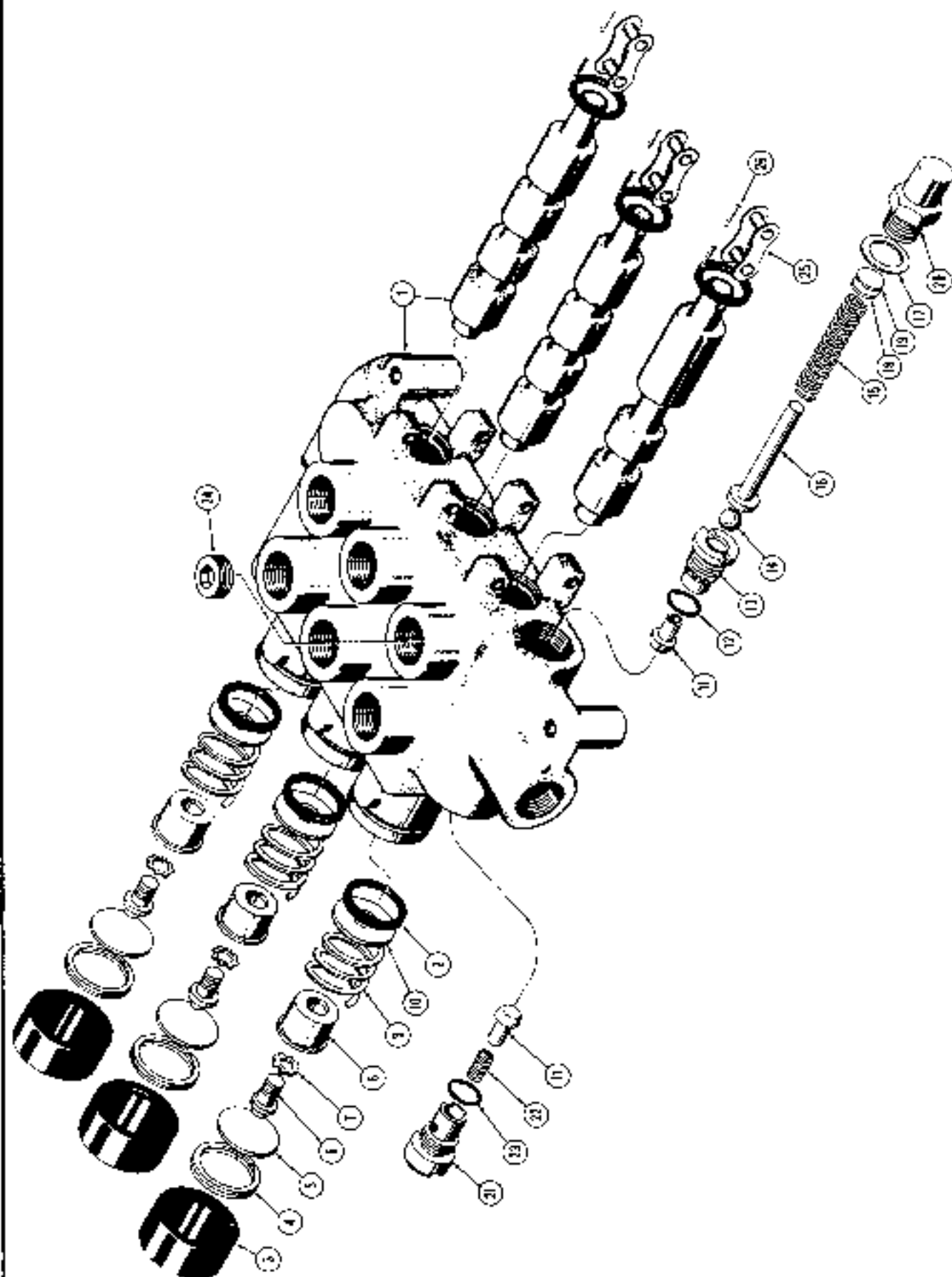
NOTE: The above valve has a 9/16" check ball and is identified by the number "975" on the housing. If the number "2703" is on the housing, refer to the section on D24263 Control Valve.



***D24263 HYDRAULIC CONTROL VALVE**

REF.	PART NO.	DESCRIPTION	REQ'D.
1	D 14263	VALVE - hydraulic control (See D20955) See page 41 ..	1
2	NSB	HOUSING AND SPOOLS Use D28908	1
3	36642	SEAL - spool	6
4	36643	CAP - rubber	3
5	36643	SNAP RING - snap dia.	2
6	36611	DISC - stop	3
7	36626	BOLT - spring	3
8	36626	WASHER - lock	3
9	36630	COLLAR - stop	3
10	40631	SPRING - centering	3
11	36650	WASHER - stop	3
12	D 23930	BALL - check, aluminum (1/8 dia.) Use 1 - D28576 poppet, 1 - D28576 pop. 1 - D28913 seat, and 1 D28840 spring	2
13	D 28196	POPPET - check (see D21131)	2
14	D 24394	SEAT - relief valve (Used with D21930 ball) See D20913	1
15	D 23911	SEAT - relief valve (Used with D28576 poppet) See D24194	1
16	A 7450	BALL - relief valve (Use 211-12)	1
211-	12	BALL - relief valve	1
17	D 24399	COLLAR - jam, relief valve seat (not required - no longer furnished)	1
18	D 24149	SPRING - relief valve	1
19	34115	GASKET - relief valve body	1
20	34113	BODY - relief valve	1
21	VT 2903	SEAL - "O" ring, adjusting screw	1
22	36650	WASHER - relief valve spring	2
23	34120	SPACER - relief valve spring	1
24	34110	SCREW - adjusting, relief valve	1
25	34111	NUT - jam, adjusting screw	1
26	34109	CAP - acorn, nut	1
27	D 23928	SEAL - "O" ring, relief valve seat	1
28	D 23723	PLUG - valve port	3
29	D 23922	PLUG - check ball (Used with D23913 ball only) See D28576	1
30	D 28574	PLUG - check poppet (Used with D28576 poppet only) See D23928	1
31	D 21931	SEAL - "O" ring, plug	1
32	D 27641	SPRING - lower check ball (Used with D21930 ball only) See D28840	1
33	D 28840	SPRING - lower check poppet (Used with D28576 pop- pet only) See D27641	1
34	D 34140	LINK - handle	3
35	33825	PIK - roller (5/16" x 1/2")	6

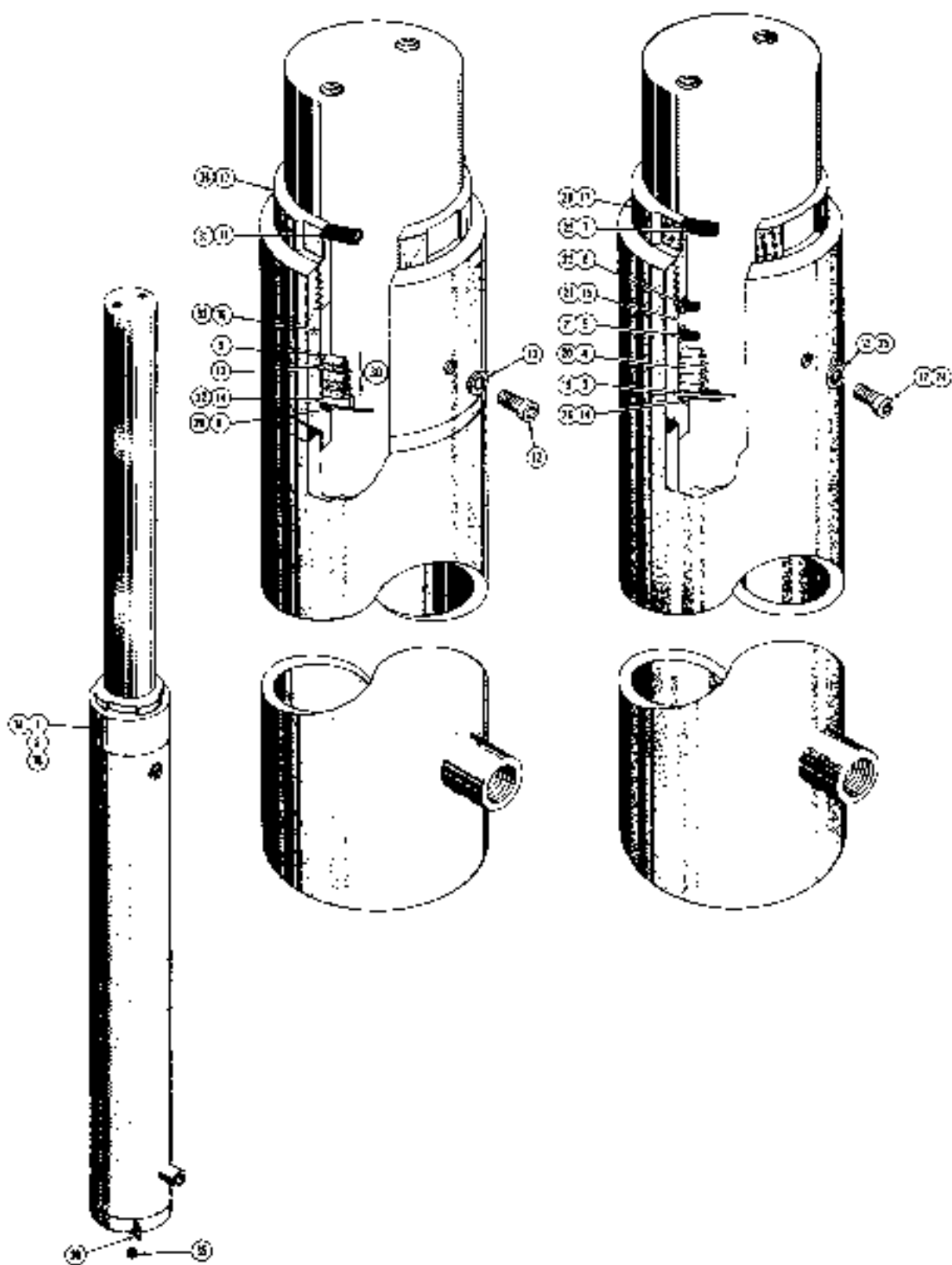
*NOTE: The above valve has a 1/8" dia. check ball and is identified by the number "2713" on the housing. If the number "979" is on the housing, refer to the section on the D44048 Control Valve.



***D28968 HYDRAULIC CONTROL VALVE**

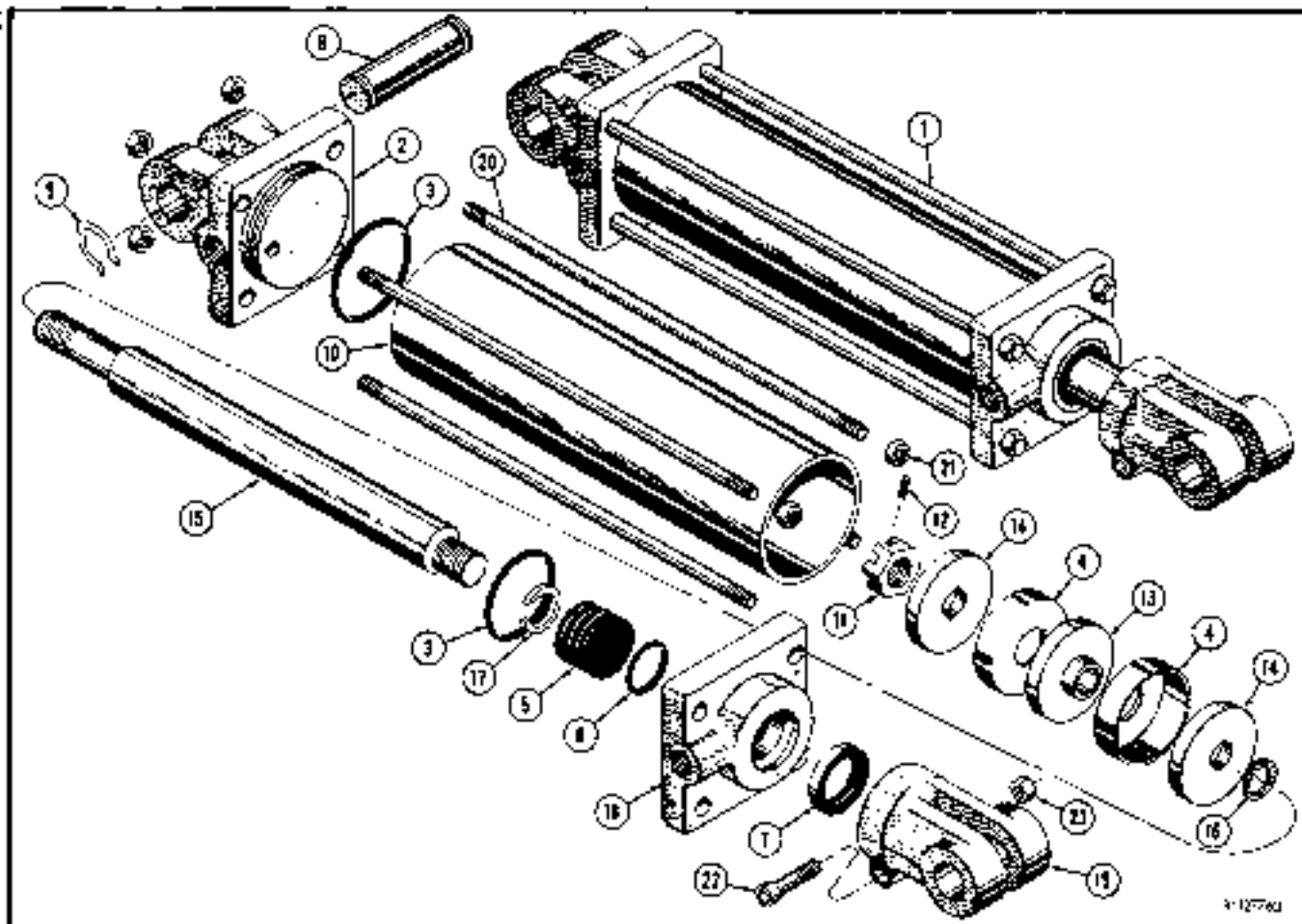
REF.	PART NO.	DESCRIPTION	REQ'D.
	D 28958	VALVE - control, hydraulic	1
1	N99	HOUSING AND SPOOLS - Use D28968	1
2	36642	SEAL - spool	6
3	36645	CAP - rubber	2
4	36639	SNAP RING - stop disc	3
5	36631	DISC - stop	3
6	36626	ROCK - spring	3
7	36623	WASHER - lock	3
8	36610	COLLAR - stop	3
9	36632	SPRING - centering	3
10	36650	WASHER - stop	3
11	D 28576	POCKET - check	2
12	D 23878	SEAL - "O" ring, relief valve seat	1
13	D 23575	SEAL - relief valve	1
14	311- 12	BALL - relief valve (7/16" dia.)	1
15	D 25841	SPRING - relief valve	1
16	L 26379	GUIDE - relief valve spring	1
17	34115	GASKET - relief valve body	1
18	D 25844	SPRING - relief valve spring (.010")	CAR
19	D 23860	SEAL - relief valve spring (.006")	CAR
20	D 28551	ROCK - relief valve	1
21	L 26374	PLUG - lower check poppet	1
22	D 23840	SPRING - lower check poppet	1
23	D 21932	SEAL - "O" ring, lower check plug	1
24	L 23723	PLUG - valve post	1
25	D 24140	HENK - handle	3
26	36625	PIN - cotter (5/64" x 1/2")	6

*NOTE: The above valve may be identified by the relief valve body (See illustration).

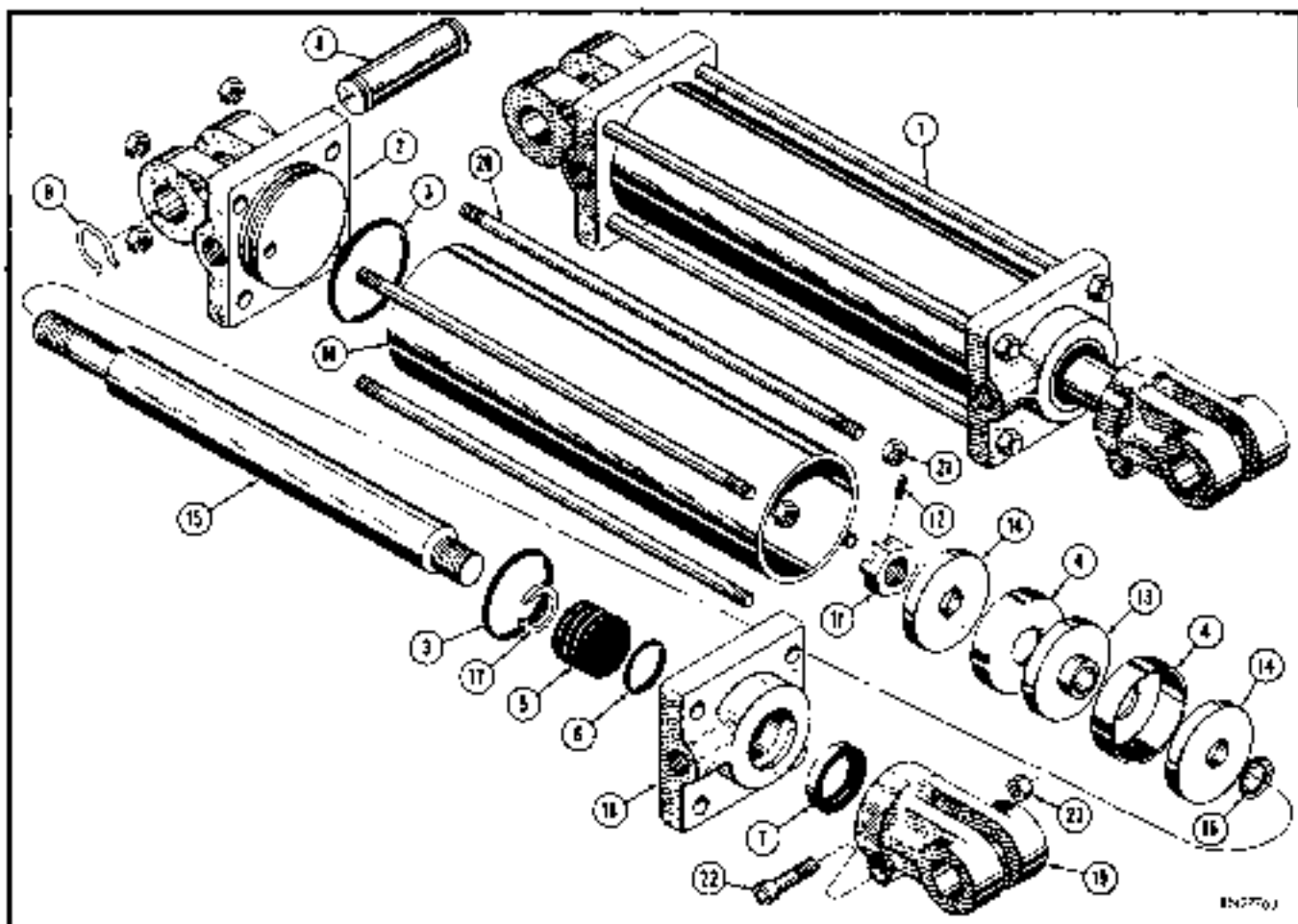


MAST LIFT CYLINDERS

REF.	PART NO.	DESCRIPTION	REQ'D.
1	D 24175	CYLINDER - mast (10'6" mast) 3-1/2" dia.	1
1A	D 26571	CYLINDER - mast (12' mast) 3-1/2" dia.	1
2	60369 6010	CYLINDER - mast (14'6" mast) 3-1/2" dia. KIT - packing (Use D28327)	1 1
3	N58	RING - wire	1
4	N58	PACKING - chevron (Set of 5)	1
5	N58	SEAL - "O" ring, outer (Not required)	1
6	N58	SEAL - "O" ring, inner (Not required)	1
7	N58	RING - wiper	1
	D 28327	KIT - packing (See 6010)	1
8	N58	RING - wire	1
9	N58	PACKING - chevron, fabric	1
10	N58	PACKING - chevron, leather	2
11	N58	RING - wiper	1
12	178- 426	SCREEN - bleeder (1/4" - 20 NC x 3/8")	1
13	D 24252	WASHER - bleeder screw	1
14	50954	SLEEVE - packing, lower	1
15	50953	SLEEVE - packing, upper (Has "O" ring groove) Use D28327	1
16	D 28337	SLEEVE - packing, upper (See 60954)	1
17	50955	NUT - packing, mast cylinder	1
18	D 24175 D 24174	CYLINDER - mast (21'6" mast) 4-3/4" dia. KIT - packing (Early production) When stock is ex- hausted use 1 - D32579 packing kit, 1 - D32580 packing ring, and 1 - D32581 packing ring (See below)	1 1
19	N58	RING - wire	1
20	N58	PACKING - chevron (Set of 5)	1
21	N58	SEAL - "O" ring, outer	1
22	N58	SEAL - "O" ring, inner	1
23	N58	RING - wiper	1
24	178- 426	SCREEN - bleeder (1/4" - 20 NC x 3/8")	1
25	D 24252	WASHER - bleeder screw	1
26	D 24253	SLEEVE - packing, lower (Early production) When stock is exhausted use 1 - D32580 packing ring, 1 - D32581 packing ring, and 1 - D32579 packing kit (See below)	1
27	D 24254	SLEEVE - packing, upper (Early production) When stock is exhausted use 1 - D32581 packing ring, 1 - D32580 packing ring, and 1 - D32579 packing kit (See below)	1
28	D 24255	NUT - packing, mast cylinder (When stock is ex- hausted use D32582)	1
	D 32579	KIT - packing (Late production) When replacing D24174, also use 1 - D32580 packing ring and 1 - D32581 packing ring	1
29	N58	RING - wire	1
30	N58	PACKING - chevron (Set of 5)	1
31	N58	RING - wiper	1
32	D 32580	SLEEVE - packing, lower	1
33	D 32581	SLEEVE - packing, upper	1
34	D 32582	NUT - packing mast cylinder (See D24255)	1
35	211- 15	BUSH - cylinder pivot (5/8" dia. steel) Used in early production	1
36	D 26094	RETAINER for lift cylinders	1



1-127762



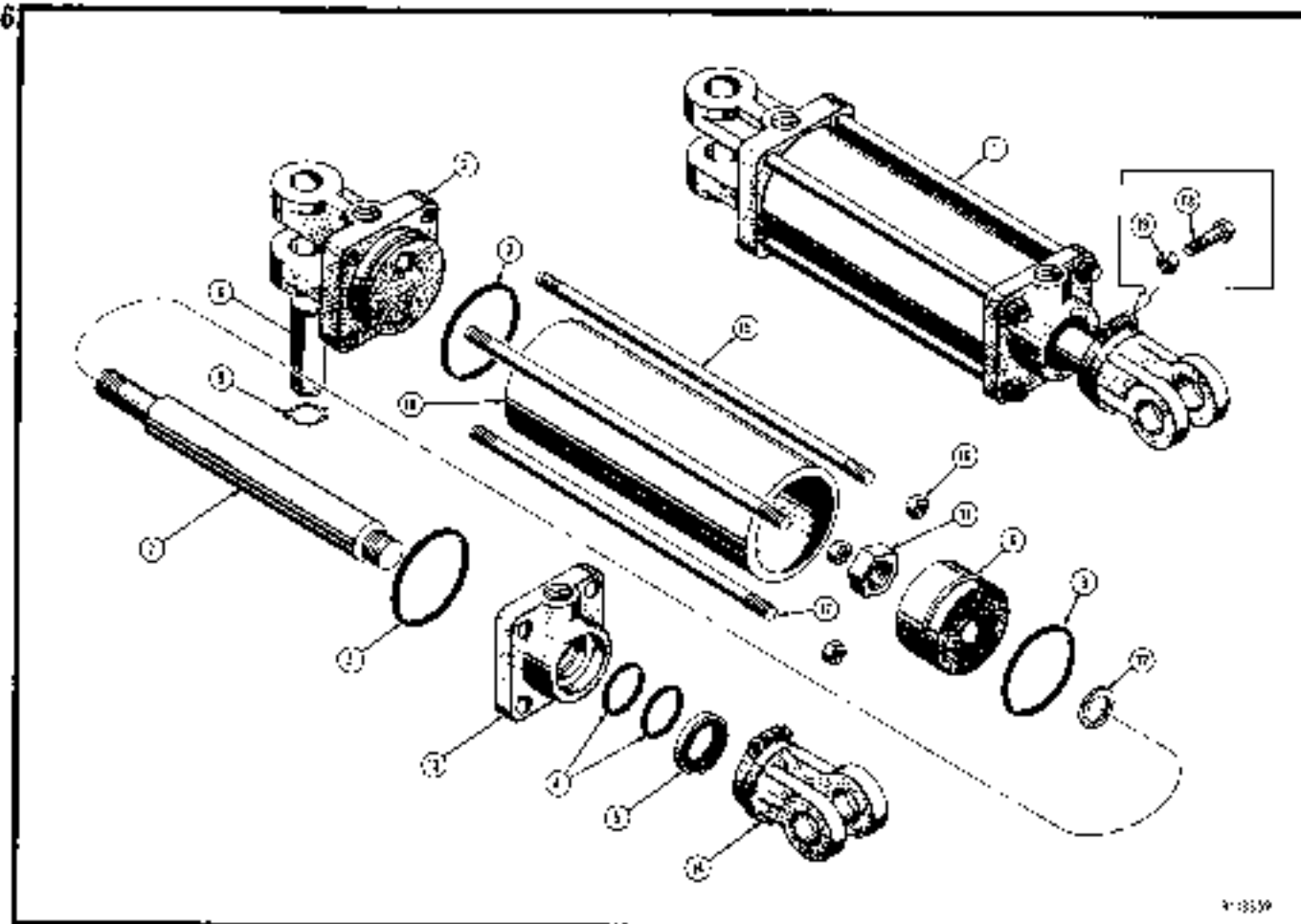
1-127762

D24080 HYDRAULIC CYLINDER

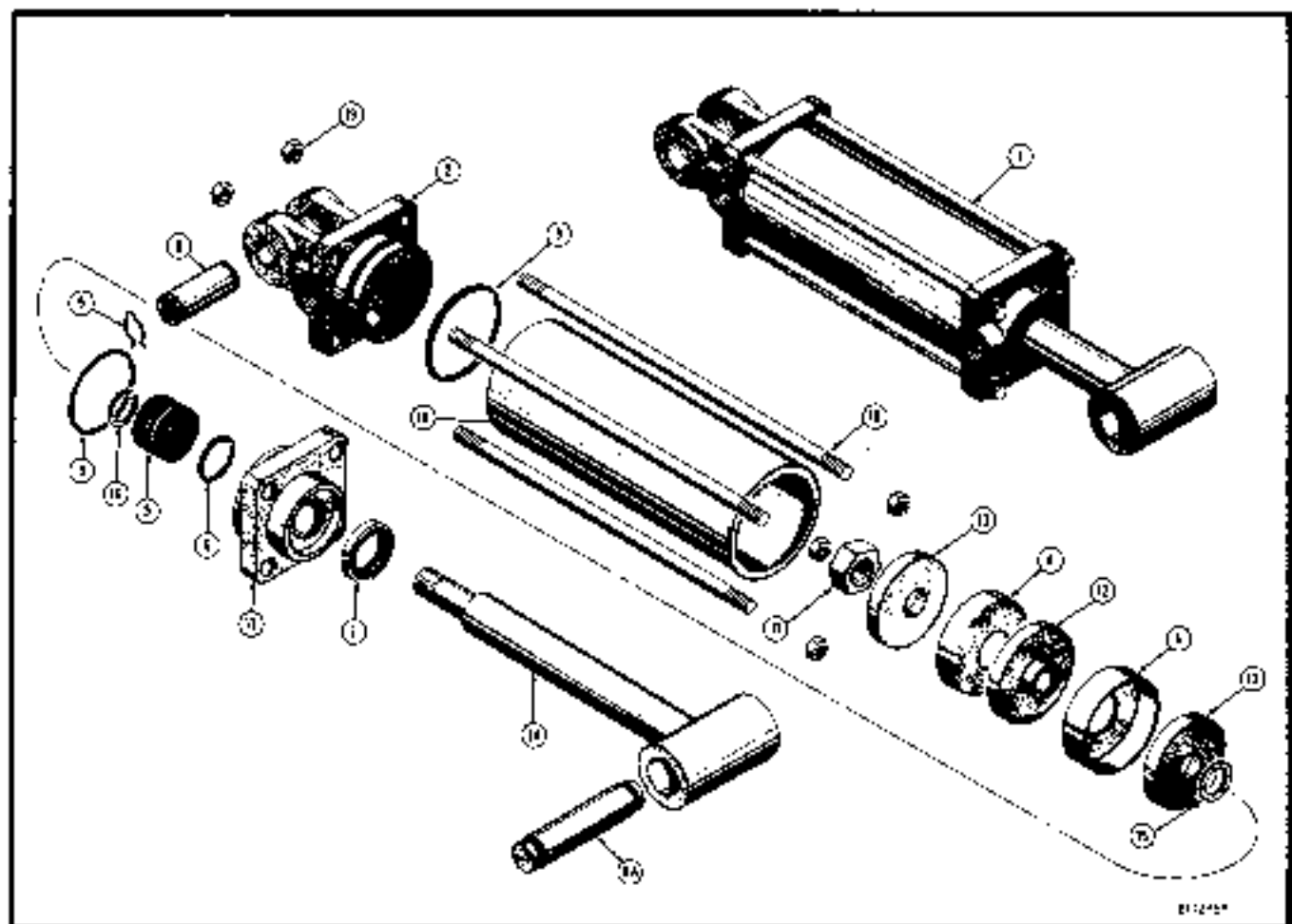
REF.	PART NO.	DESCRIPTION	REQ'D.
1	D 24080	CYLINDER - hydraulic (3" I.D. x 6" stroke)	1
2	D 24081	CAP - cylinder end, closed	1
	D 24093	KIT - cylinder packing	1
3	NSS	SEAL - "O"ring, end caps	2
4	NSS	CUP - piston	2
5	NSS	PACKING - piston rod (Set of 5)	1
6	NSS	SEAL - "O"ring, piston rod	1
7	NSS	SEAL - wiper, piston rod	1
8	D 24083	PIN - pivot, cylinder	2
9	D 24084	CLIP - retaining, pivot pin	4
10	D 24085	TUBE - cylinder	1
11	25- 1111	NUT - hex., piston rod (1/4" - 16 NF) If used	1
	25- 2312	NUT - castle, piston rod (3/4" - 16 NF) Used with roll pin	1
12	138- 79	PIN - roll, 25-2312 nut	1
13	D 24098	PISTON - cylinder	1
14	D 24099	SPACER - cup	2
15	D 24090	ROD - piston (1 1/4" O.D.)	1
16	D 24091	GASKET - piston	1
17	D 24092	RING - retaining, packing	1
18	D 24094	CAP - cylinder, open	1
19	D 24097	CLEVIS - piston rod	1
20	D 24098	ROD - tie	4
21	25- 107	NUT - tie rod (7/16" - 14 NC)	8
22	61- 628	SCREW - socket head (3/8" - 16 NC x 1-3/4")	1
23	25- 106	NUT - hex. (1/8" - 16 NC)	1

D27002 HYDRAULIC CYLINDER

REF.	PART NO.	DESCRIPTION	REQ'D.
1	D 27002	CYLINDER - hydraulic (3-1/2" I.D. x 10" stroke)	1
2	D 24120	CAP - cylinder end, closed	1
	D 24127	KIT - cylinder packing	1
3	NSS	SEAL - "O"ring, end caps	2
4	NSS	CUP - piston	2
5	NSS	PACKING - piston rod (Set of 5)	1
6	NSS	SEAL - "O"ring, piston rod	1
7	NSS	SEAL - wiper, piston rod	1
8	D 24083	PIN - pivot, cylinder	2
9	D 24084	CLIP - retaining, pivot pin	4
10	D 24130	TUBE - cylinder	1
11	25- 1116	NUT - hex., piston rod (1" - 14 NF) If used	1
	25- 2316	NUT - castle, piston rod (1" - 14 NF) Used with roll pin	1
12	138- 79	PIN - roll, 25-2316 nut	1
13	D 24132	PISTON - cylinder	1
14	D 24133	SPACER - cup	2
15	D 29360	ROD - piston (1-1/4" O.D.)	1
16	D 24135	GASKET - piston	1
17	D 24092	RING - retaining, packing	1
18	D 24137	CAP - cylinder end, open	1
19	D 24097	CLEVIS - piston rod	1
20	D 24138	ROD - tie	4
21	25- 108	NUT - tie rod (1/2" - 14 NC)	8
22	61- 628	SCREW - socket head (3/8" - 16 NC x 1-3/4")	1
23	25- 106	NUT - hex. (3/8" - 16 NC)	1



9-1559



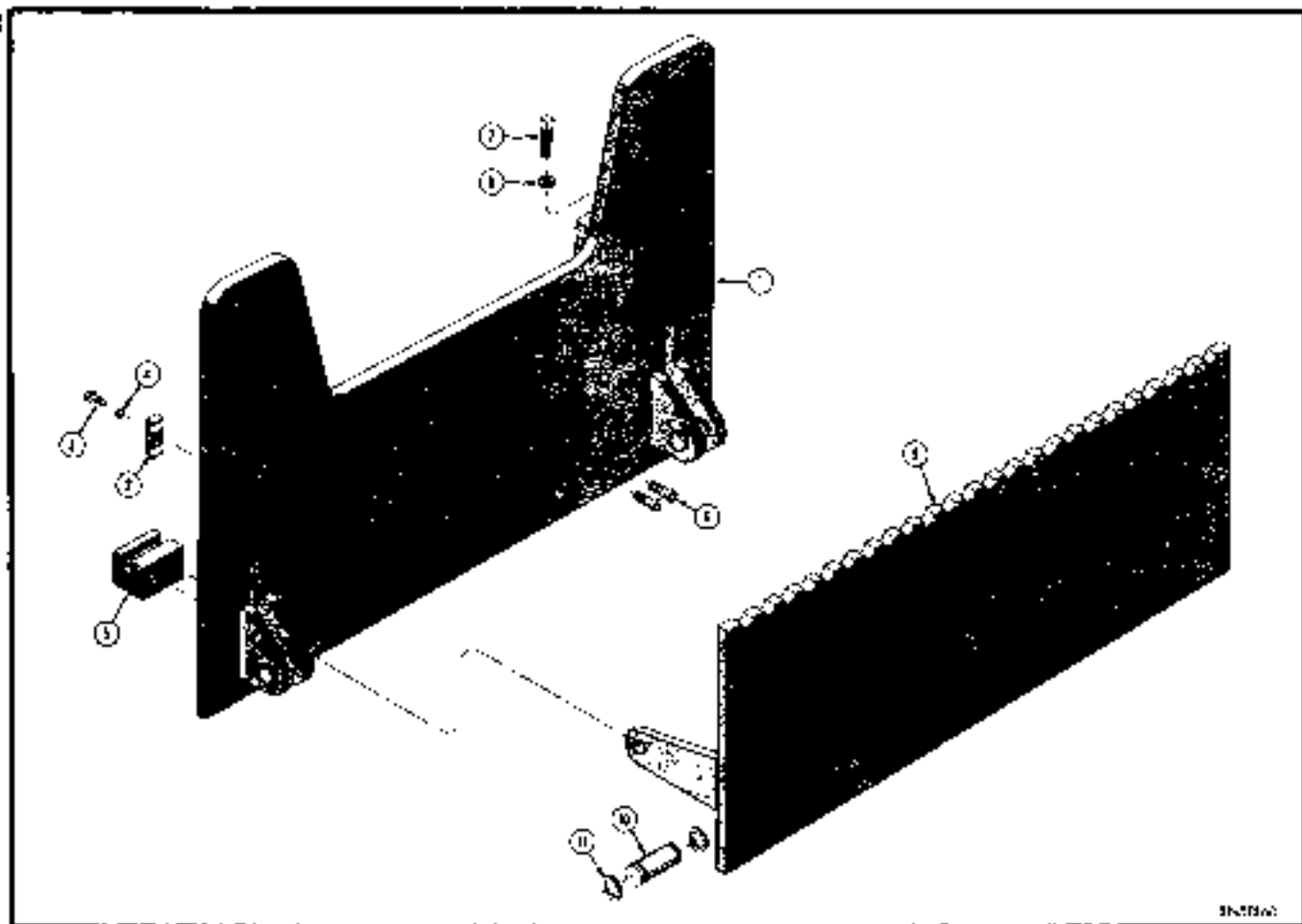
81245*

D24102 HYDRAULIC SIDE SHIFTER CYLINDER

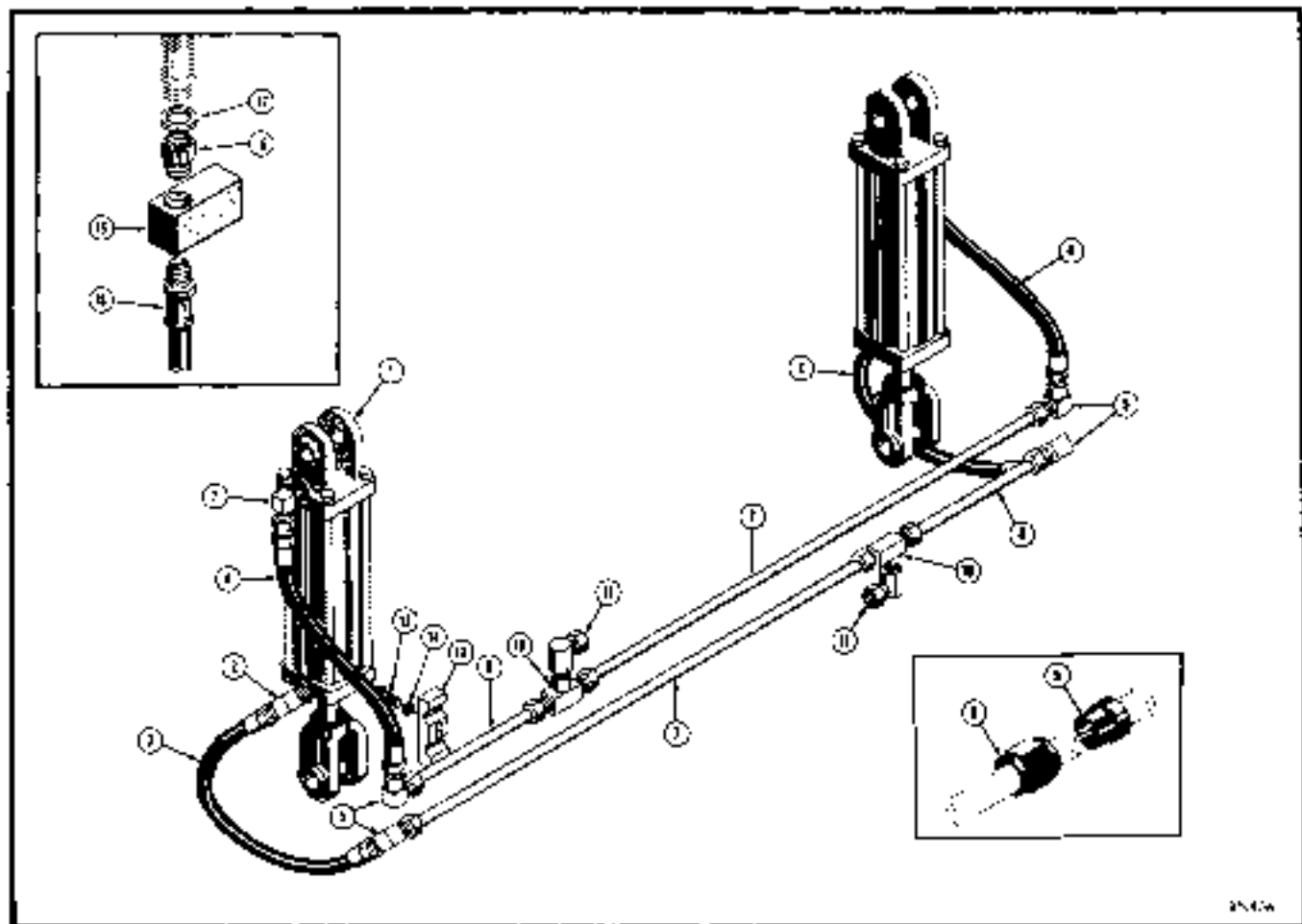
REF.	PART NO.	DESCRIPTION	REQ'D.
1	D 24102	CYLINDER - hydraulic, side shifter attachment (2-1/2" I.D. x 6" stroke)	1
2	D 24103	CAP - cylinder end, closed	1
	D 24118	KIT - cylinder packing	1
3	N55	SEAL - "O" ring, end caps and piston	3
4	N58	SEAL - "O" ring, rod	2
5	N55	SEAL - wiper, piston rod	1
6	D 24105	PISTON - cylinder	1
7	D 24106	ROD - piston (1-1/16" O.D.)	1
8	D 24084	PIN - pivot, cylinder	2
9	D 24084	CLIP - retaining	1
10	D 24109	TUBE - cylinder	1
11	25- 1512	NUT - piston rod (3/4" - 16 NF)	1
12	D 24091	GASKET - piston	1
13	D 24112	CAP - cylinder end, open	1
14	D 24097	CLEVIS - piston rod	1
15	D 28959	ROD - tie (11' long; See D28147)	2
16	25- 106	NUT - hex. (2/8" - 16 NC)	4
17	D 28147	ROD - tie (11-1/4' long; mounts cylinder guard (See D28959))	2
18	61- 628	SCREW - socket head (3/8" - 16 NC x 1-3/4")	1
19	25- 105	NUT - hex. (1/8" - 16 NC)	1

D24119 HYDRAULIC BUCKET CYLINDER

REF.	PART NO.	DESCRIPTION	REQ'D.
1	D 24119	CYLINDER - hydraulic bucket (2-1/2" I.D. x 10" stroke)	1
2	D 24120	CAP - cylinder end, closed	1
	D 24127	KIT - cylinder packing	1
3	N59	SEAL - "O" ring, end caps	2
4	N58	CUP - piston	2
5	N55	PACKING - piston rod (set of 5)	1
6	N59	SEAL - "O" ring, piston rod	1
7	N55	SEAL - wiper, piston rod	1
8	D 24001	PIN - pivot, cylinder closed end	1
9A	D 24254	PIN - pivot, cylinder rod end	1
9	D 24084	CLIP - retaining, pivot pin	1
10	D 24130	TUBE - cylinder	1
11	25- 1116	NUT - piston rod (1" - 14 NF)	1
12	D 24132	PISTON - cylinder	1
13	D 24133	SPACER - cup	2
14	D 24134	ROD - piston (1-1/4" O.D.)	1
15	D 24135	GASKET - piston	1
16	D 24092	RING - retaining, piston packing	1
17	D 24137	CAP - cylinder end, open	1
18	D 24138	ROD - tie	4
19	25- 118	NUT - tie rod (1/2" - 14 NC)	8



INCA



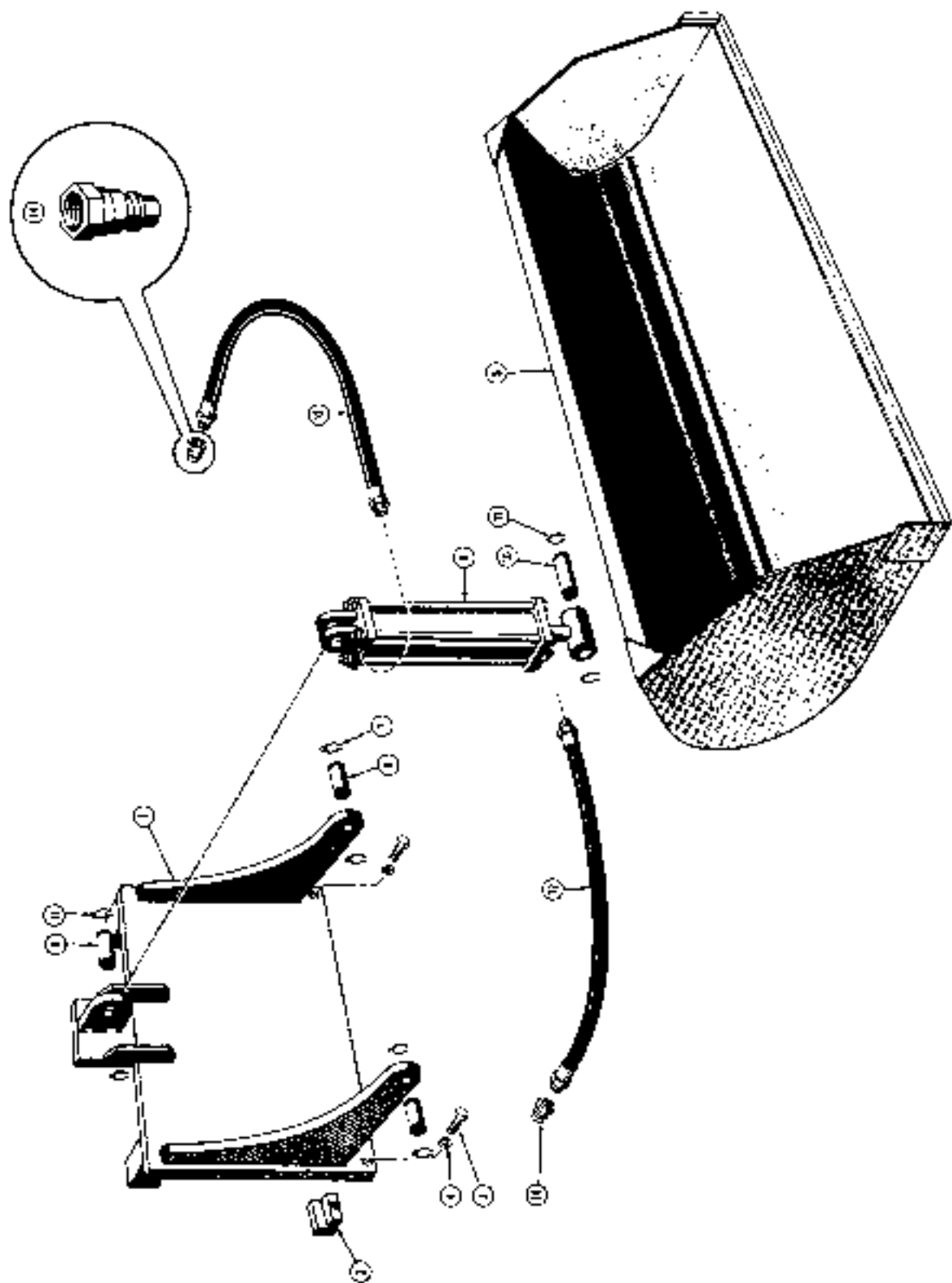
INCA

TILT FORK ATTACHMENT

REF.	PART NO.	DESCRIPTION	REQ'D.
1	D 27000	PLATE - mounting	1
2	D 27015	CLAMP - tube	2
3	13- 416	NUTS - 1/4" - 20 NC x 1"	4
4	92- 4	WASHER - med. sec. lock (1/4")	4
5	D 27003	HANGER - lower	2
6	61- 103H	SCREW - socket head (5/8" - 11 NC x 1-1/4")	4
7	85 104B	SCREW - set, square head (5/8" - 11 NC x 3")	2
8	25- 141D	NUT - hex., jam (5/8" - 11 NC)	2
9	D 27005	PLATE - tilting	1
10	D 27012	PIN - pivot tilting plate	2
11	D 2414B	SNAP RING - retaining, pivot pin	4

TILT FORK HYDRAULICS

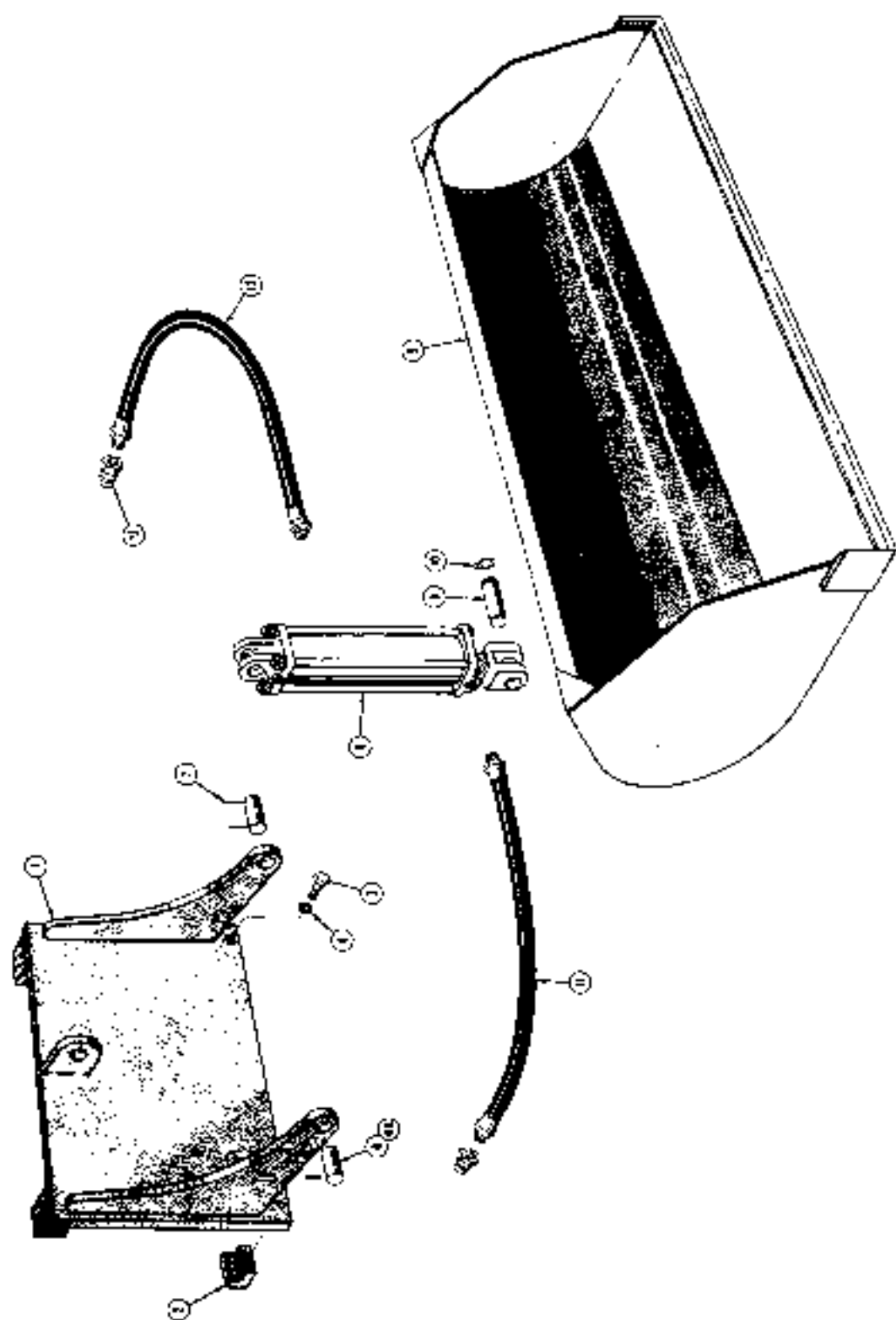
REF.	PART NO.	DESCRIPTION	REQ'D.
1	D 27002	CYLINDER - hydraulic, tilting fork (See page 45 for breakdown)	2
2	D 27004	ELBOW - 90° male, hydraulic cylinders (3/8" NPT)	4
3	D 27005	HOSE - cylinder to lower tube elbow (3/8" I.D. x 14" long)	2
4	D 27001	HOSE - cylinder to upper tube elbow (3/8" I.D. x 17" long)	2
5	218- 474	ELBOW - 90° male, tube ends (1/2" JIC)	4
6	D 27007	TUBE - short (9-1/2" long)	2
7	D 27011	TUBE - long (33-1/4" long)	2
8	D 27008	NUT - tube (1/2")	8
9	D 27009	SLEEVE - tube (1/2")	8
10	D 27010	TEE - tube (1/2" JIC)	2
11	D 24312	UNION - 90° adaptor	2
12	D 27015	CLAMP - tube	2
13	13 416	NUTS - 1/4" - 20 NC x 1"	4
14	92- 4	WASHER - med. sec. lock (1/4")	4
15	D 24342	BLOCK - junction, hydraulic hoses (Welded to mast plate) 2 stage mast	2
	D 24364	BLOCK - junction, hydraulic hoses (Welded to mast plate) 3 stage mast	2
16	D 25233	ADAPTER - used at junction blocks (10'6" and 14'3" masts)	2
17	D 25234	WASHER - used with D25233 adapter	2
18	D 24307	HOSE - 1/4" I.D. x 34' long	2



*** LOADER BUCKET ATTACHMENT (EARLY PRODUCTION)**

REF.	PART NO.	DESCRIPTION	REQ'D.
1	D 24250	PLATE - support, bucket	1
2	D 24261	BLOCK - clamp	2
3	13- 1036	NUTS - 5/8" - 11 NC x 2-1/4"	2
4	92- 10	WASHER - med. sec. lock (5/8")	2
5	D 24257	BUCKET - loader, 10 cubic ft. capacity (struck)	1
6	D 24267	PIN - bucket to plate	2
7	D 24084	CLIP - pin	4
8	D 24119	CYLINDER - hydraulic (See page 47 for breakdown)	1
9	D 24083	PIE - pivot, cylinder (Upper)	1
10	D 24086	PIE - pivot, cylinder (Lower)	1
11	D 24094	CLIP - pin	2
12	D 24759	HOSE - to lower port (38" long)	1-2
13	D 24260	HOSE - to upper port (12" long) when stock is exhausted. Use D24259	1
14	D 24262	COUPLING - quick disconnect (Male half)	2

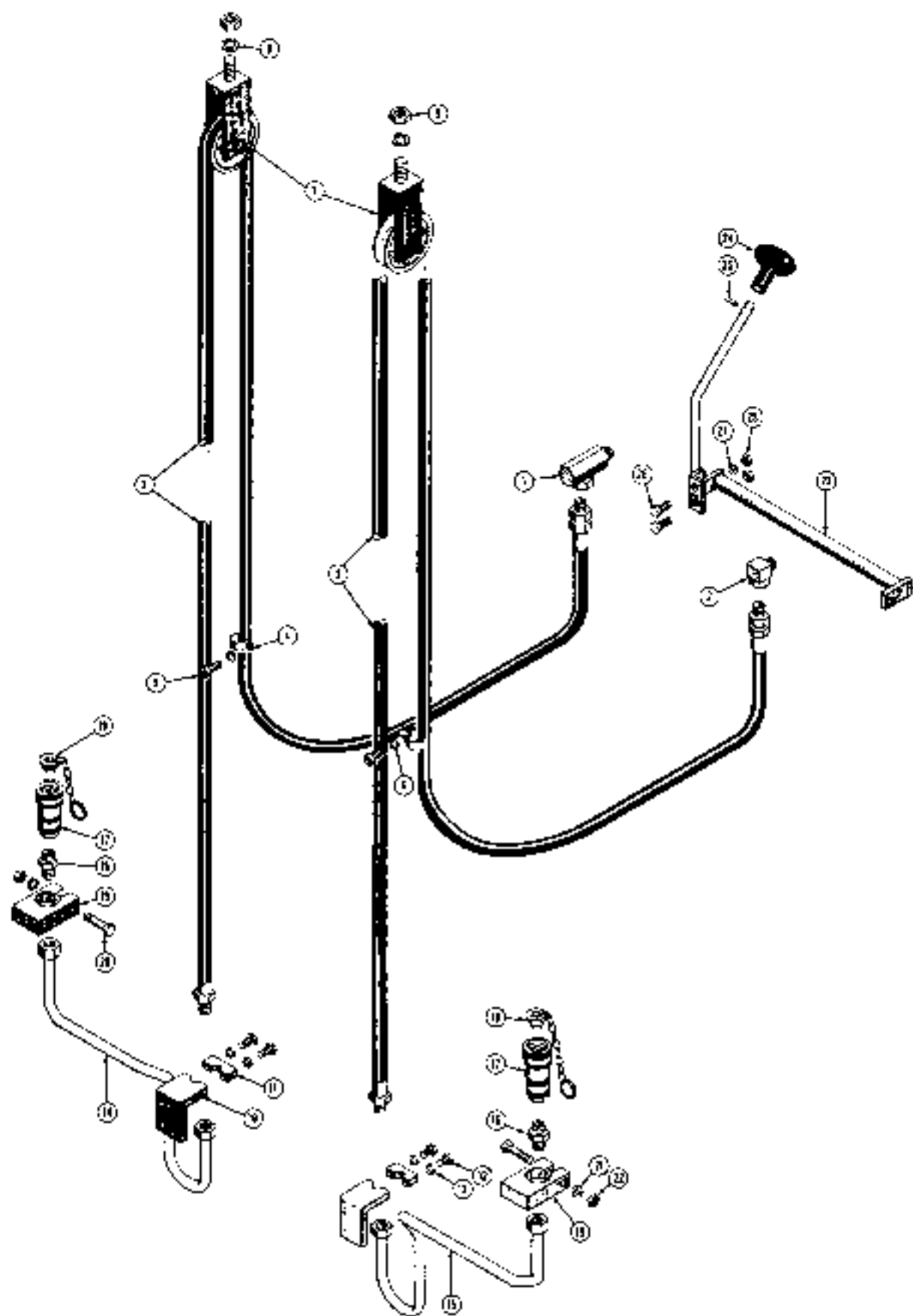
*NOTE: This bucket attachment has a 20-1/2" cylinder. If your attachment has a 17" cylinder, see page 51.



LOADER BUCKET ATTACHMENT (LATE PRODUCTION)

REF.	PART NO.	DESCRIPTION	SEQ. D.
1	D 28180	PLATE - support, bucket	1
2	D 24261	BLOCK - clamp	2
3	13- 1532	WCS - 5/8" - 11 NC x 2"	2
4	92- 10	WASHER - med, sec, lock (1/8")	2
5	D 28179	BUCKET - loader, 10 cubic ft. capacity (Stack)	1
6	D 28178	PIN - bucket to plate (When stock is exhausted use D16819)	2
6A	D 36919	PIN - bucket to plate	2
7	138- 140	PIN - roll, 1/4" x 1-1/4"	2-6
8	D 24080	CYLINDER - hydraulic (See page 45 for breakdown)	1
9	D 24083	PIN - pivot, cylinder	2
10	D 24084	COIL - retaining, pivot pin	4
11	D 24259	HOSE - to lower port (38" long)	1-2
12	D 24260	HOSE - to upper port (32" long; When stock is exhausted use D24259)	1
13	D 24262	COURSETING - quick disconnect (Male half)	2

*NOTE: This bucket attachment has a 17" cylinder. If your attachment has a 20-1/2" cylinder, see page 51.

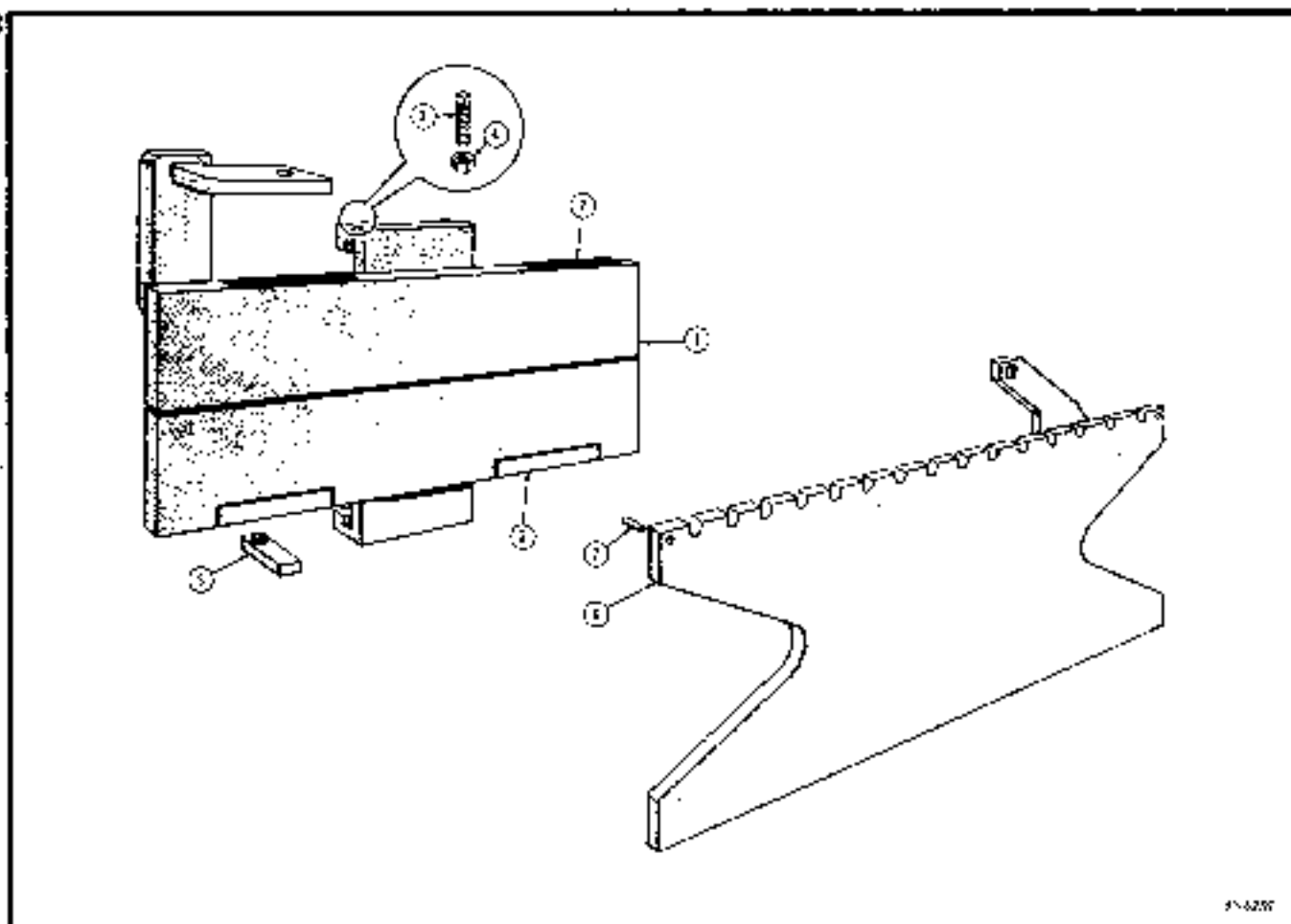


AUXILIARY HYDRAULICS (10'6" AND 14'3" MASTS)

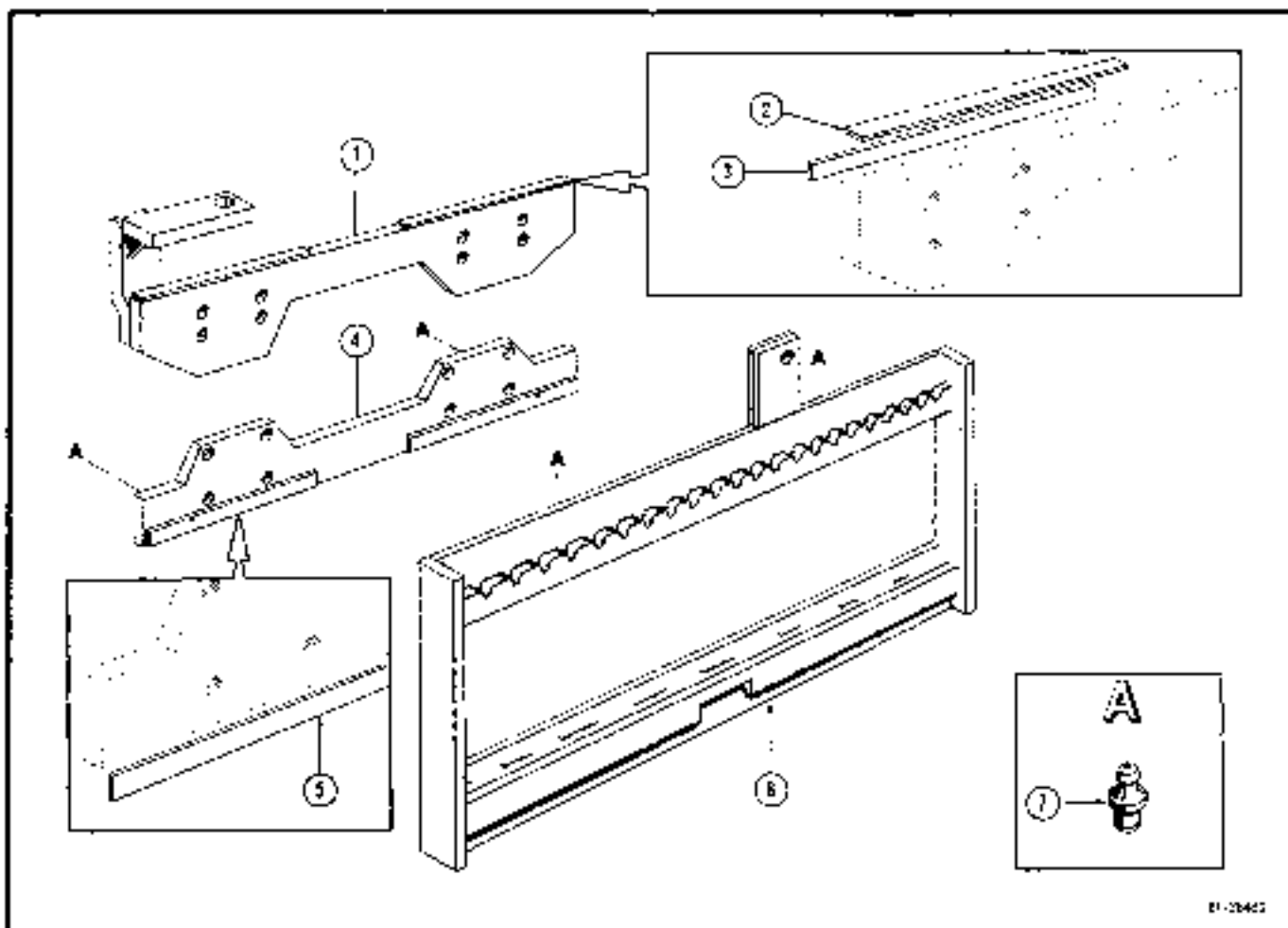
REF.	PART NO.	DESCRIPTION	REQ'D.
1	D 24171	UNION - angle, top and bottom control valve port	2
2	D 24175	UNION - adapter, swivel (bottom control valve port) 1/2" NPT (Use D24170)	1
3	D 24280	HOSE - control valve to tube (10'6" mast) 14'8" long	2
	D 24281	HOSE - control valve to tube (14'3" mast) 18" long	2
4	D 24282	CLAMP - hose	2
5	61- 416	SCREW - hex. socket head (1/4" - 20 NC x 1")	4
6	92- 4	WASHER - med. sec. lock (1/4")	2
7	D 24277	PULLEY - hose (includes bracket)	2
8	92- 6	WASHER - med. sec. lock (3/8")	1
9	25- 105	NUT - hex. (3/8" - 16 NC)	1
10	D 24286	BRACKET - tube (welded to backing plate)	2
11	D 24229	CLAMP - tube bracket	2
12	61- 416	SCREW - hex. socket head (1/4" - 20 NC x 1")	4
13	92- 4	WASHER - med. sec. lock (1/4")	4
14	D 24283	TUBE - R.H.	1
15	D 24284	TUBE - L.H.	1
16	D 24285	FITTING - tube to quick connect	2
17	D 24286	COUPLING - quick connect (female half)	2
18	D 24287	CAP - hose	2
19	D 24279	BRACKET - quick disconnect (welded to fork backing plate)	2
20	21- 540	WRENCH - 5/16" - 19 NC x 2-1/2"	2
21	92- 5	WASHER - med. sec. lock (5/16")	1
22	25- 105	NUT - hex. (3/16" - 19 NC)	2
23	D 24289	LEVER - control, auxiliary hydraulics	1
24	D 24284	KNOB - control	1
25	138- 57	PLX - roll (1/8" x 3/4")	1
26	11- 632	WRENCH - 3/8" - 16 NC x 2"	2
27	92- 6	WASHER - med. sec. lock (3/8")	2
28	25- 105	NUT - hex. (3/8" - 16 NC)	1

AUXILIARY HYDRAULICS (21'6" MAST)

REF.	PART NO.	DESCRIPTION	REQ. QTY.
1	D 24176	UNION - angle, top and bottom control valve port	2
2	D 24176	UNION - adapter, swivel (Bottom control valve port) 1/2" NPT (Use D24175)	1
3	D 24300	HOSE - control valve to quick disconnect (27'0" long)	2
4	D 24101	CLAMP - hose (worm drive type) Use 214-253	6
	214- 253	CLAMP - hose (worm drive type)	6
5	D 24295	UNION - angle, 90° (Street elbow bottom of quick dis- connect)	2
6	217- 22	ELBOW - street, quick disconnect (90°)	2
7	D 24288	COUPLING - quick disconnect (Female half)	2
8	D 24287	CAP - dust	2
9	D 24279	BRACKET - quick disconnect (Welded to fork backing plate)	2
10	11- 540	WASHER - 5/16" - 18 NC x 2-1/2"	2
11	92- 5	WASHER - med. sec. lock (5/16")	2
12	25- 105	NUT - hex. (5/16" - 18 NC)	2
13	D 24292	COUNTERWEIGHT - hose	1
14	D 24303	SUPPORT - counterweight guide (Welded to mast) See D24291	1
	D 24299	SUPPORT - counterweight guide (Welded to mast) Use D24293	1
15	D 24293	GUIDE - counterweight (Welded to mast)	1
16	D 24294	PULLEY - guide (Welded to mast)	2
17	D 24296	BRACKET - hose, L.H. (Welded to mast)	1
18	D 24297	BRACKET - hose, R.H. (Welded to mast)	1
19	D 24298	BRACKET - hose, center (Welded to mast)	1
20	D 24288	LEVER - control, auxiliary hydraulics	1
21	D 24184	KNOR - control lever	1
22	138- 57	PLA - roll (1/8" x 1/4")	1
23	11- 612	WASHER - 3/8" - 16 NC x 2"	2
24	92- 6	WASHER - med. sec. lock	2
25	25- 106	NUT - hex. (3/8" - 16 NC x 2")	2



97-6257



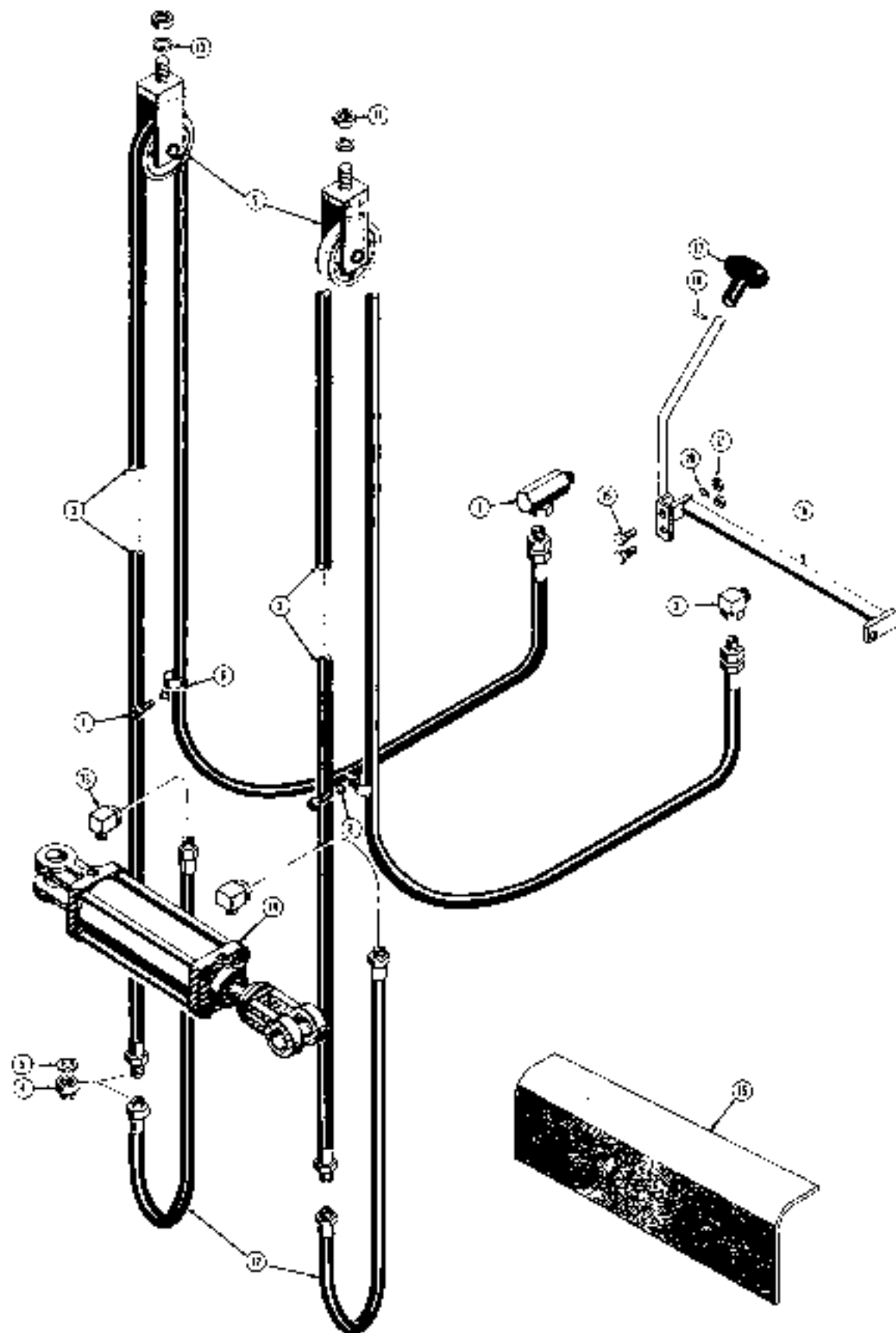
97-2842

SIDE SHIFTER ATTACHMENT (EARLY PRODUCTION)

REF.	PART NO.	DESCRIPTION	REQ'D.
1	D 24341	SUPPORT - plate, backing	1
2	D 28273	STRIP - wear (welded to support)	5
3	181- 713	SCREW - square head set (5/8" - 11 NC x 3")	2
4	25- 1010	NUT hex. (1/2" - 11 NC)	2
5	D 24342	BLOCK - junction, hydraulic hoses (Welded to mast plate) 2 stage mast	2
	D 25364	BLOCK - junction, hydraulic hoses (Welded to mast plate) 3 stage mast	2
6	D 24343	PLATE - backing	1
7	138- 171	PIN - roll (3/8" x 1-1/2")	2

SIDE SHIFTER ATTACHMENT (LATE PRODUCTION)

REF.	PART NO.	DESCRIPTION	REQ'D.
	D 29826	PLATE - backing, upper	1
2	D 29829	STRIP - wear, brass (1-1/8" x 1/2" x 16") When stock is exhausted use D32575	2
	D 32575	STRIP - wear, brass (1/2" x 1/2" x 6")	2
3	D 29830	STRIP - wear, brass (1-1/8" x 1/2" x 16") When stock is exhausted use D42516	2
	D 32576	STRIP - wear, brass (1/2" x 1/2" x 6")	2
4	D 29832	PLATE - backing, lower	1
5	D 29833	STRIP - wear, brass (1/2" x 1-1/4" x 16")	2
6	D 29831	FRAME - hanger	1
7	119- 15	FITTING - brass, straight drive (3/16")	4



*SIDE SHIFTER ATTACHMENT HYDRAULICS (10'6" AND 14'3" MASTS)

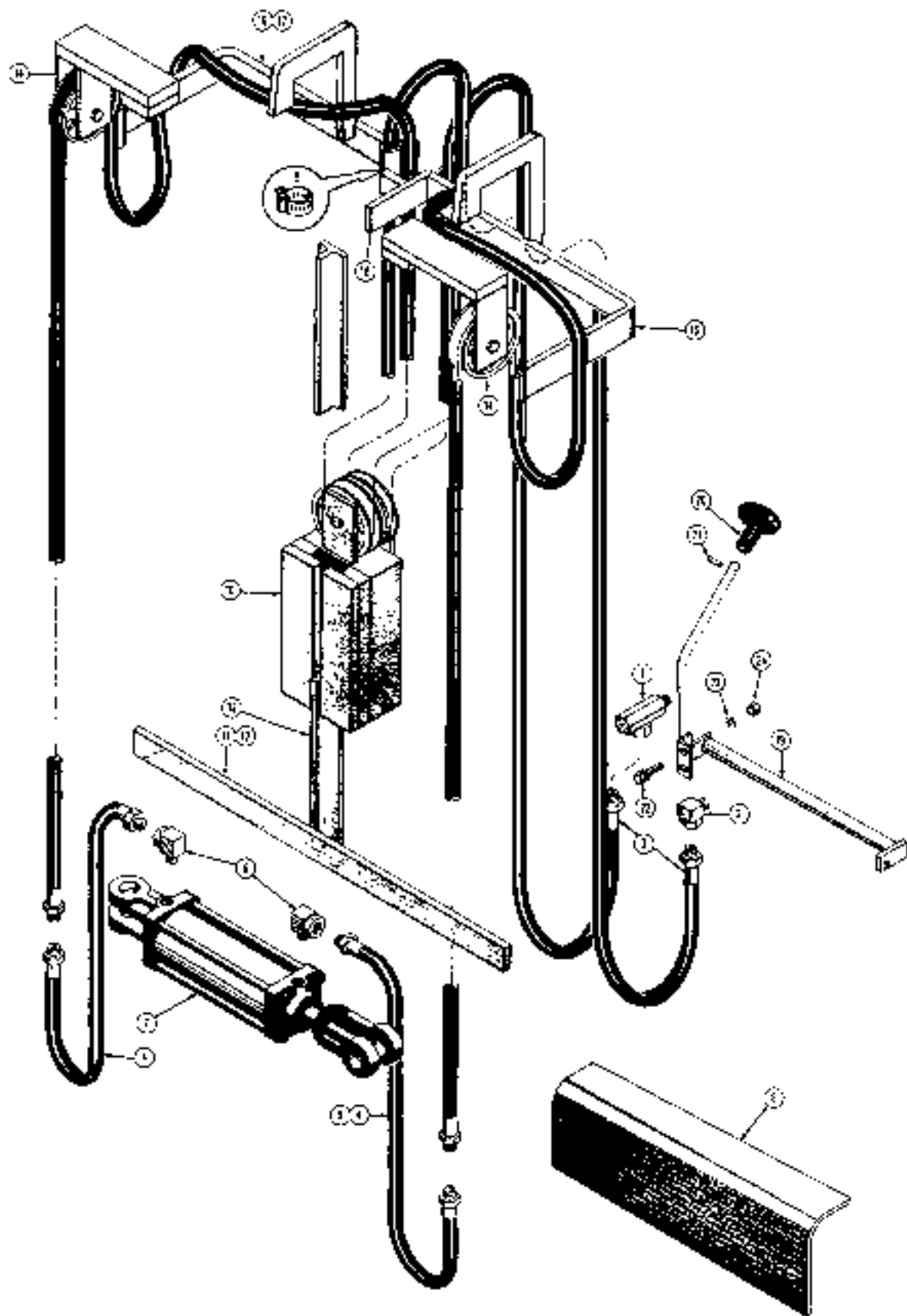
REF.	PART NO.	DESCRIPTION	REQ'D.
1	D 24170	UNION - angle, top and bottom control valve ports ...	2
2	D 24176	UNION - adapter, swivel (Bottom port control valve) 1/2" NPT (Use D24170)	2
3	D 24280	HOSE - control valve to plate (10'6" mast) 14'6" long	2
	D 24281	HOSE - control valve to plate (14'3" mast) 18' long	2
4	D 25233	ADAPTER - hose to junction block (Use with replacement hose)	2
5	D 25234	WASHER - adapter (Use with replacement hose)	2
6	D 24282	CLAMP - hose	2
7	13- 412	EHCS - 1/4" - 16 NC x 3/4"	2
8	32- 4	WASHER - med. sec. lock (1/4")	2
9	D 24277	PULLEY - hose (Includes bracket)	2
10	32- 6	WASHER - med. sec. lock (3/8")	2
11	25- 106	NUT - hex. (3/8" - 16 NC)	4
12	D 24307	HOSE - plate to cylinder (34-1/2" long)	2
	D 26362	CYLINDER AND GUARD ASSEMBLY	1
13	D 24312	UNION - adapter, swivel (Port in cylinder)	2
14	D 24102	CYLINDER - hydraulic (See page 47 for breakdown)	1
15	D 26363	SCAM - cylinder	1
16	D 24288	LEVER - control (Side shifter attachment)	1
17	D 24194	KAHM - control lever	1
18	138- 57	PIN - roll (1/0" x 3/4")	1
19	11- 632	EHCS - 3/8" - 16 NC x 3"	2
20	31- 6	WASHER - med. sec. lock	2
21	25- 106	NUT - hex. (3/8" - 16 NC)	2

*NOTE: These hydraulics are used on side shifters with solid backing plate. See page 58 for illustration.

***SIDE SHIFTER ATTACHMENT HYDRAULICS (10'6" AND 14'3" MASTS)**

REF.	PART NO.	DESCRIPTION	REQ'D.
1	D 24170	UNION - angle, top and bottom control valve ports ...	1
2	D 2523	HOSE - control valve to plate (10'6" mast) 14'0" long	2
	D 25232	HOSE - control valve to plate (14'3" mast) 18' long	2
3	R 14868	ELBOW - 90° street, 1/4" NPT	2
4	D 28150	BLOCK - hose retaining, R.H. (Welded to lower backing plate)	1
5	D 28148	BLOCK - hose retaining, L.H. (Welded to lower backing plate)	1
6	D 30282	CLAMP - hose	2
7	61- 416	SCREW - hex. socket head (1/4" - 20 NC x 1")	2
8	92- 4	WASHER - med. sec. lock (1/4")	2
9	D 24277	PULLEY - hose (includes bracket)	2
10	92- 6	WASHER - med. sec. lock (3/8")	2
11	25- 106	BUT - hex. (3/8" - 16 NC)	2
12	D 24434	HOSE - plate to cylinder (30" long)	2
	D 28362	CYLINDER AND GUARD ASSEMBLY	1
13	D 24312	WELON - adapter, swivel (fits in cylinder)	1
14	D 24102	CYLINDER - hydraulic (See page 47 for breakdown)	1
15	D 24363	GUARD - cylinder	1
16	D 24288	LEVER - control (side shifter attachment)	1
17	D 24184	KNOB - control lever	1
18	39- 57	PIN - roll (1/8" x 3/4")	1
19	13- 632	WREN - 3/8" - 16 NC x 2"	2
20	92- 6	WASHER - med. sec. lock	2
21	15- 206	NUT - hex. (3/8" - 16 NC)	2

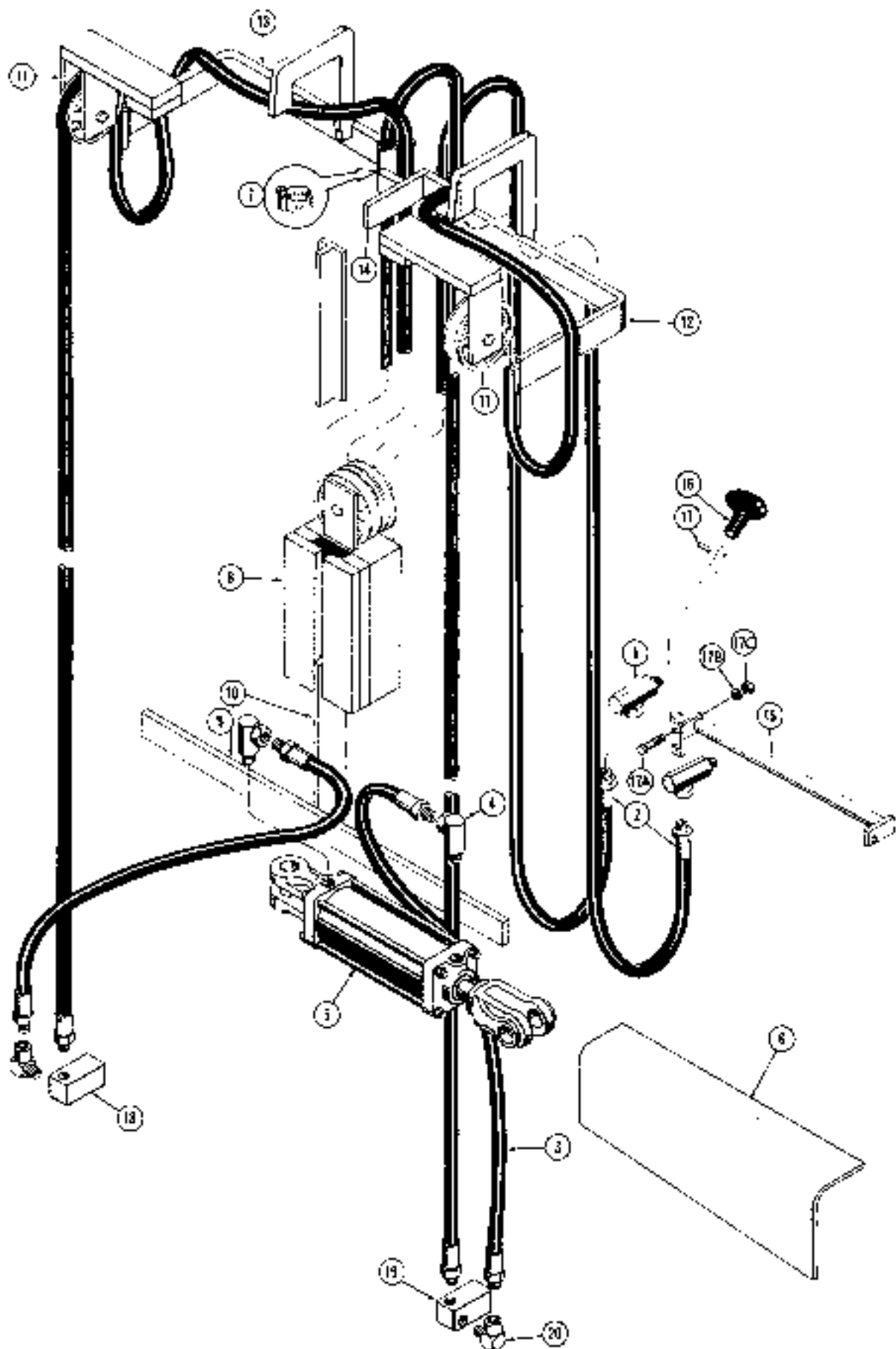
*NOTE: These hydraulics are used on side shifters with an open backing plate. See page 56 for illustration.



***SIDE SHIFTER ATTACHMENT HYDRAULICS (21'6" MAST)**

REF.	PART NO.	DESCRIPTION	REQ'D.
1	D 24170	UNION - angle, top and bottom control valve ports ...	2
2	D 24176	UNION - adapter, swivel (Bottom port control valve; 1/2" NPT (Cm D24170)	1
3	D 24300	HOSE - control valve to plate (27'6" long)	2
4	D 26363	HOSE - plate to cylinder (45' long) See D24304	2
5	D 24304	HOSE - plate to cylinder (41-1/2" long) Use D26365 ..	2
	D 26362	CYLINDER AND GUARD ASSEMBLY	1
6	D 24113	UNION - adapter, swivel (Ports in cylinder)	2
7	D 24132	CYLINDER - hydraulic (See page 47 for breakdown) ..	1
8	D 26363	GUARD - cylinder	1
9	D 24301	CLAMP - hose (Worm drive type) Use 214-253	6
	214- 253	CLAMP - hose (Worm drive type)	6
10	D 24293	COUNTERWEIGHT - hose	1
11	D 25652	SUPPORT - counterweight guide (Welded to mast) See D24303	1
12	D 24303	SUPPORT - counterweight guide (Welded to mast) Use D25652	1
13	D 24293	GUIDE - counterweight (Welded to mast)	1
14	D 24294	GUIDE pulley (Welded to mast)	2
15	D 24296	BRACKET - hose, L.H. (Welded to mast)	1
16	D 24297	BRACKET - hose, R.H. (Welded to mast) See D24302	1
17	D 24302	BRACKET - hose, R.H. (Welded to mast) Use D24297	1
18	D 24298	BRACKET - hose, center (Welded to mast)	1
19	D 24293	LEVER - control (Side shifter attachment)	1
20	D 24184	KNCS control lever	1
21	130- 57	PIN - roll (1/8" x 3/4")	1
22	13- 633	WCS - 1/8" - 16 NC x 3"	2
23	92- 0	WASHER med. sec. lock	2
24	35- 106	NUT - hex. (3/8" - 16 NC)	2

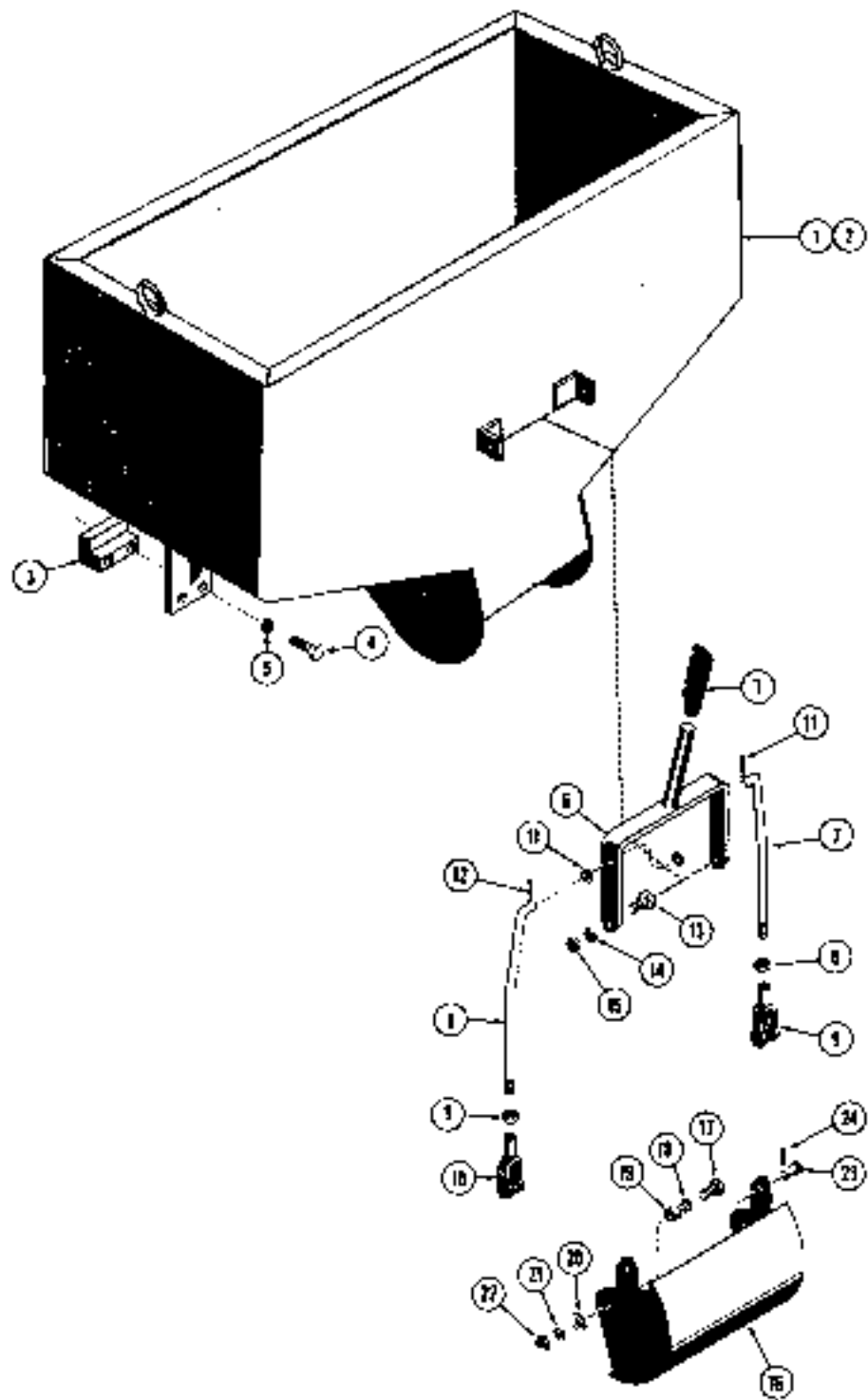
*NOTE: These hydraulics are used on side shifters with solid backing plate. See page 58 for illustration.



***SIDE SHIFTER ATTACHMENT HYDRAULICS (21'6" MAST)**

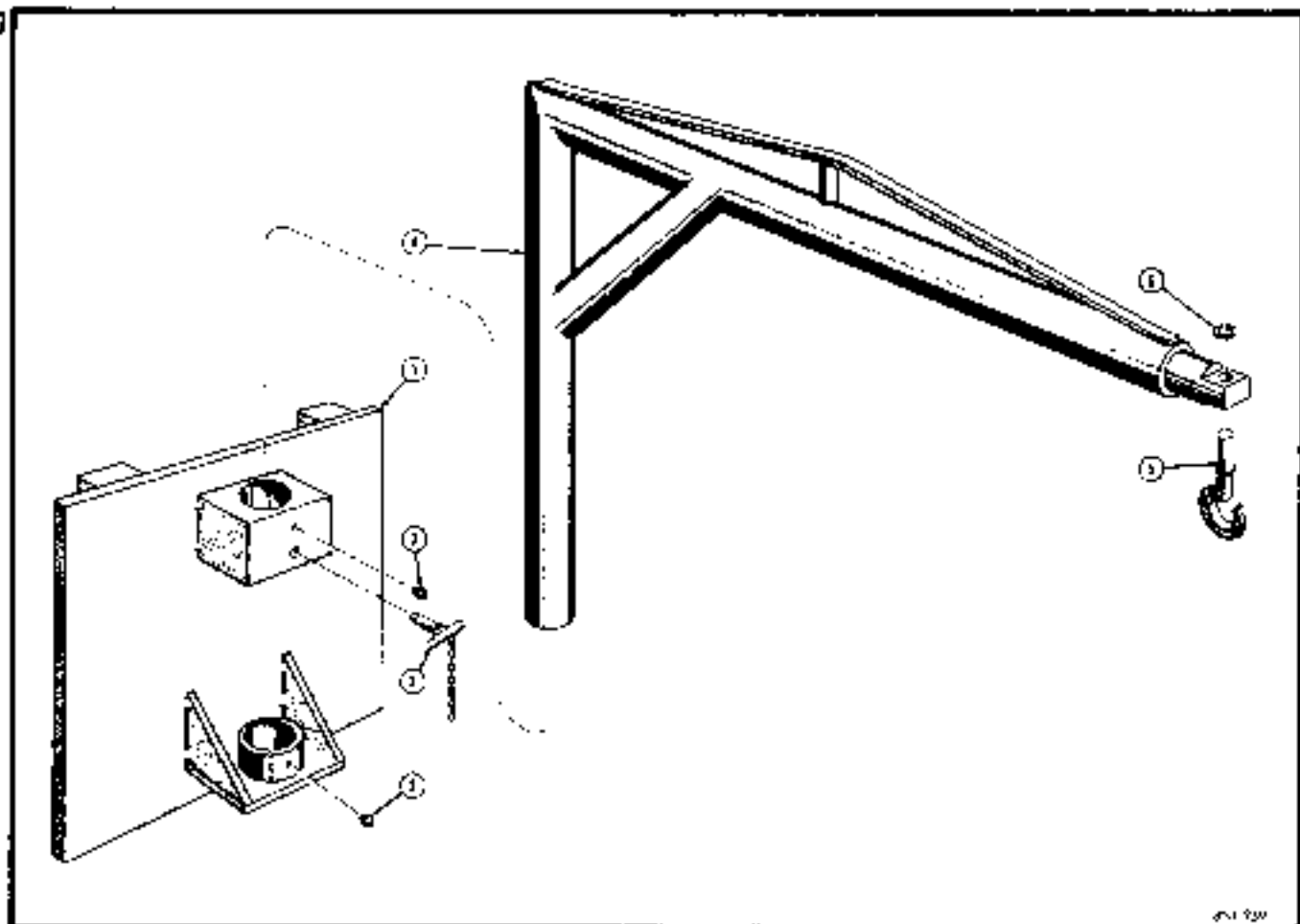
REF.	PART NO.	DESCRIPTION	QTY	D.
1	D 24170	UNION - angle, top and bottom control valve ports	2	
2	D 24300	HOSE - control valve to plate (27'8" long)	2	
3	D 24304	HOSE - plate to cylinder (41-1/2" long)	2	
	D 26362	CYLINDER AND GUARD ASSEMBLY	1	
4	D 24312	UNION - adapter, swivel (Ports in cylinder)	2	
5	D 24152	CYLINDER - hydraulic (See page 47 for breakdown)	1	
6	D 26363	GUARD - cylinder	1	
7	114- 250	CLAMP - hose (worm drive type)	6	
8	D 24292	COUNTERWEIGHT - hose	1	
9	D 25652	SUPPORT - counterweight guide (Welded to mast)	1	
10	D 24293	GUIDE - counterweight (Welded to mast)	1	
11	D 24294	GUIDE pulley (Welded to mast)	2	
12	D 24296	BRACKET - hose, L.H. (Welded to mast)	1	
13	D 24297	BRACKET - hose, R.H. (Welded to mast)	1	
14	D 24190	BRACKET - hose, center (Welded to mast)	1	
15	D 24288	LEVER - control (Side shifter attachment)	1	
16	D 24184	KNOB - control lever	1	
17	138- 57	PIE - roll (1/8" x 3/4")	1	
17A	13- 632	HOCS - 3/8" - 16 NC x 2"	1	
17B	92- 6	WASHER - med. sec. lock (3/8")	2	
17C	25- 106	NUT - hex. (3/8" - 16 NC)	2	
18	D 28151	BLOCK - hose retaining, R.H. (Welded to lower backing plate)	1	
19	D 28149	BLOCK - hose retaining, L.H. (Welded to lower backing plate)	1	
20	E 14668	ELBOW - 90° street, 1/4" NPT	2	

*NOTE: These hydraulics are used on side shifters with open backing plate. See page 50 for illustration.

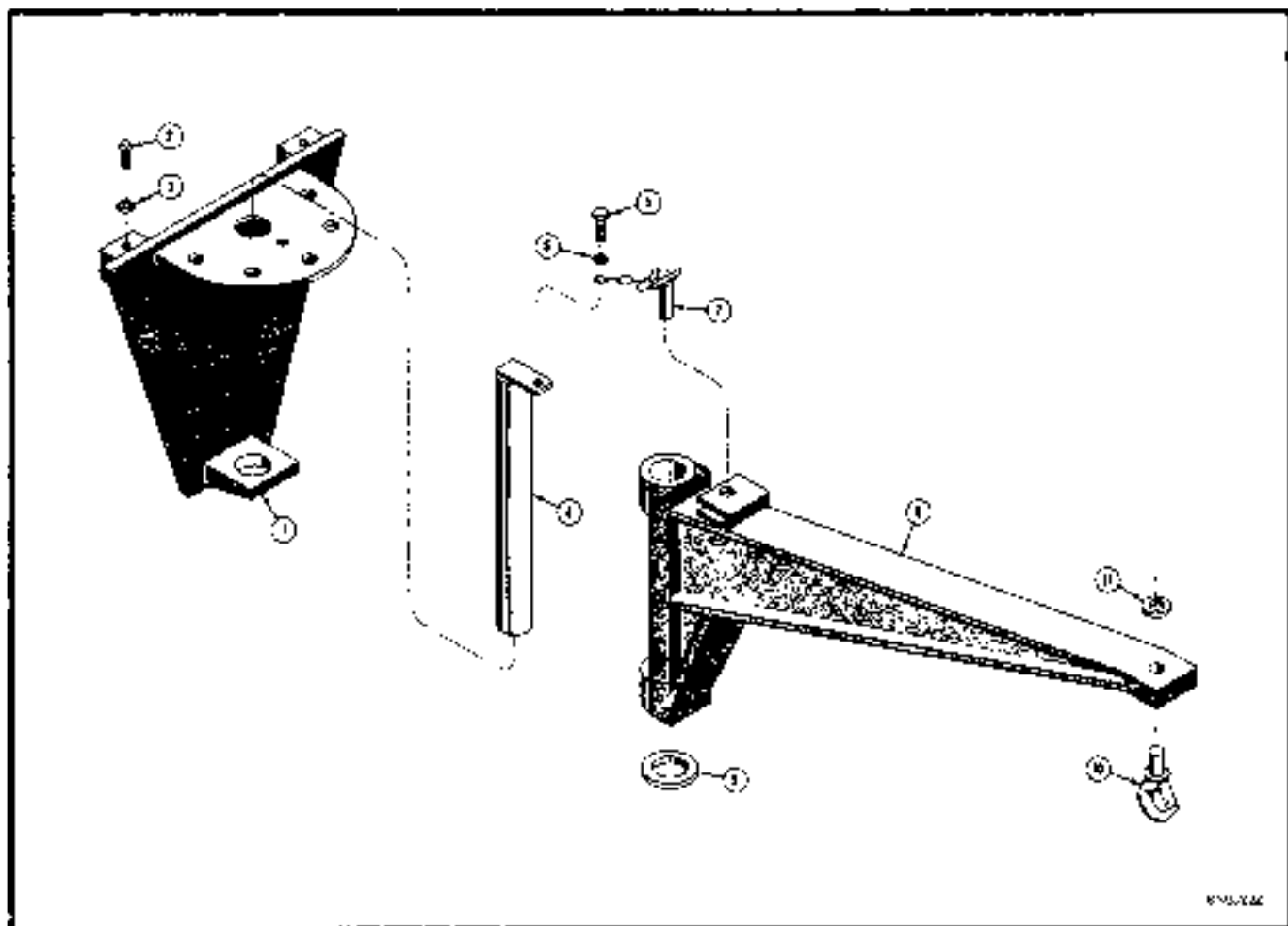


CEMENT BUCKET ATTACHMENT

REF.	PART NO.	DESCRIPTION	REQ'D.
1	D 10870	BUCKET - cement, 1/3 cubic yard (Use D10540)	1
2	D 10545	BUCKET - cement, 1/2 cubic yard (Machinery Item)	1
3	61035	BLOCK - clamp	2
4	14- 1236	HHCS - 3/4" - 16 NF x 2-1/4"	4
5	92- 12	WASHER - med. sec. lock (3/4")	4
6	65294	HANDLE - discharge spout	1
7	31400	GRIP - handle, rubber	1
8	55285	ROD - spout control	2
9	25- 110	NUT - hex. 1 1/2" - 20 NF)	2
10	213- 6	YOKE - control rod	2
11	195- 33	WASHER - Flat (17/32" I.D. x 1-1/16" O.D.)	4
12	132- 48	PIN - cotter (1/8" x 1")	2
13	31021	SPUT - pivot, spout	2
14	92- 6	WASHER - med. sec. lock (3/4")	2
15	25- 116	NUT - hex. 1 1/0" - 24 NF)	2
16	65293	SPOUT - discharge	1
17	14 1232	HHCS - 3/4" - 16 NF x 2"	2
18	195- 53	WASHER - Flat (1-1/16" I.D. x 2" O.D. x 1/8" thick)	2
19	61005	BUSHING - spout (9/16" long)	2
20	95- 12	WASHER - Flat (11/16" I.D. x 2" O.D. x 1/12" thick)	2
21	92- 12	WASHER - med. sec. lock (3/4")	2
22	25- 112	NUT - hex. 1 3/4" - 16 NF)	2
23	141- 6	PIN - yoke	2
24	132- 48	PIN - cotter (1/8" x 1")	2



KNS/EM



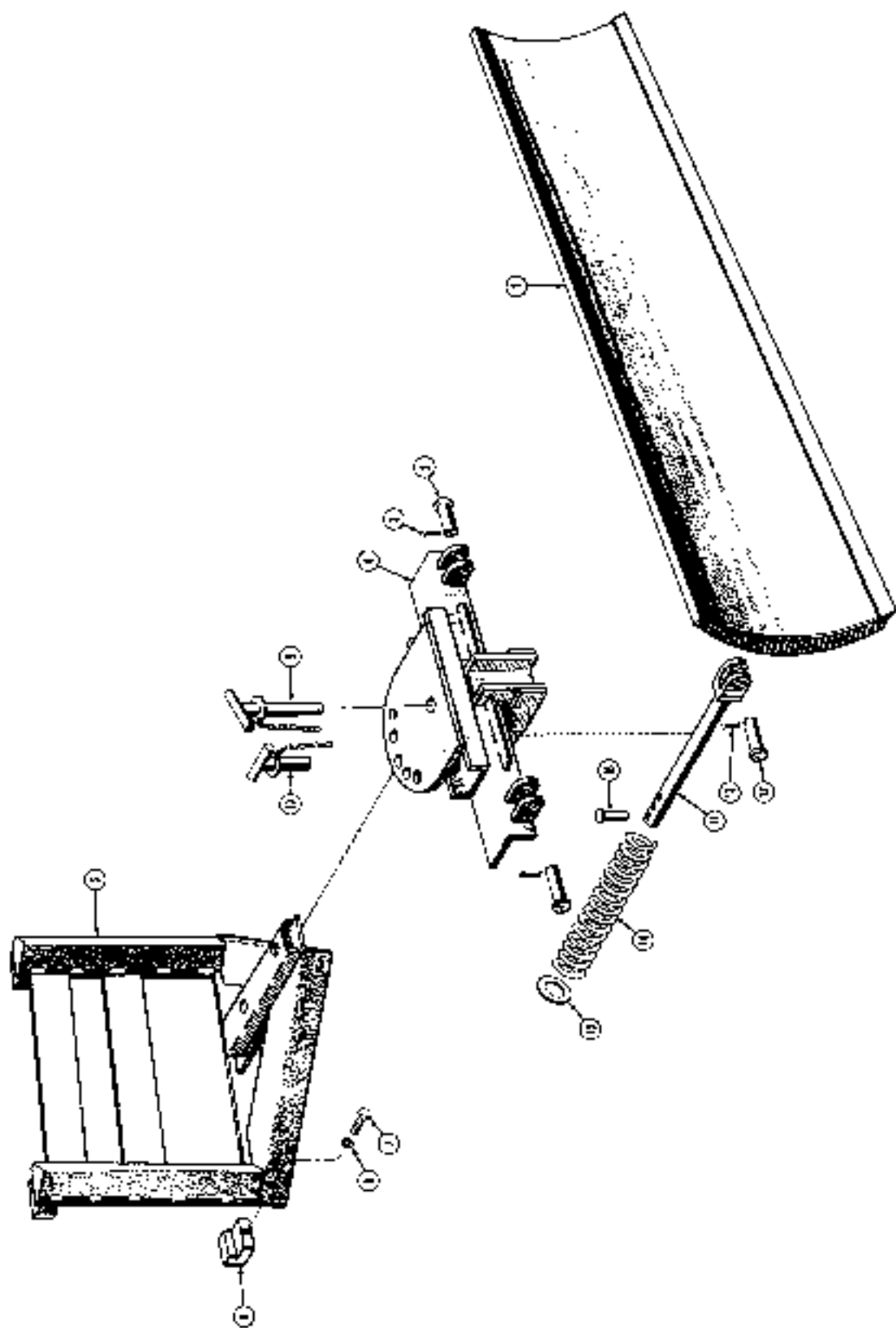
KNS/EM

CRANE BOOM ATTACHMENT (EARLY PRODUCTION)

REF.	PART NO.	DESCRIPTION	REQ'D.
1	D 25400	SUPPORT - crane boom	1
2	D 25401	PIN - retaining	1
3	319	FITTING - straight grease, 1/8" NPT	2
4	D 25402	BOOM - main	1
5	D 25403	HOOK - boom	1
6	60916	WASHER - hook (1" I.D. x 2" O.D. x 1/4" thick) ...	1

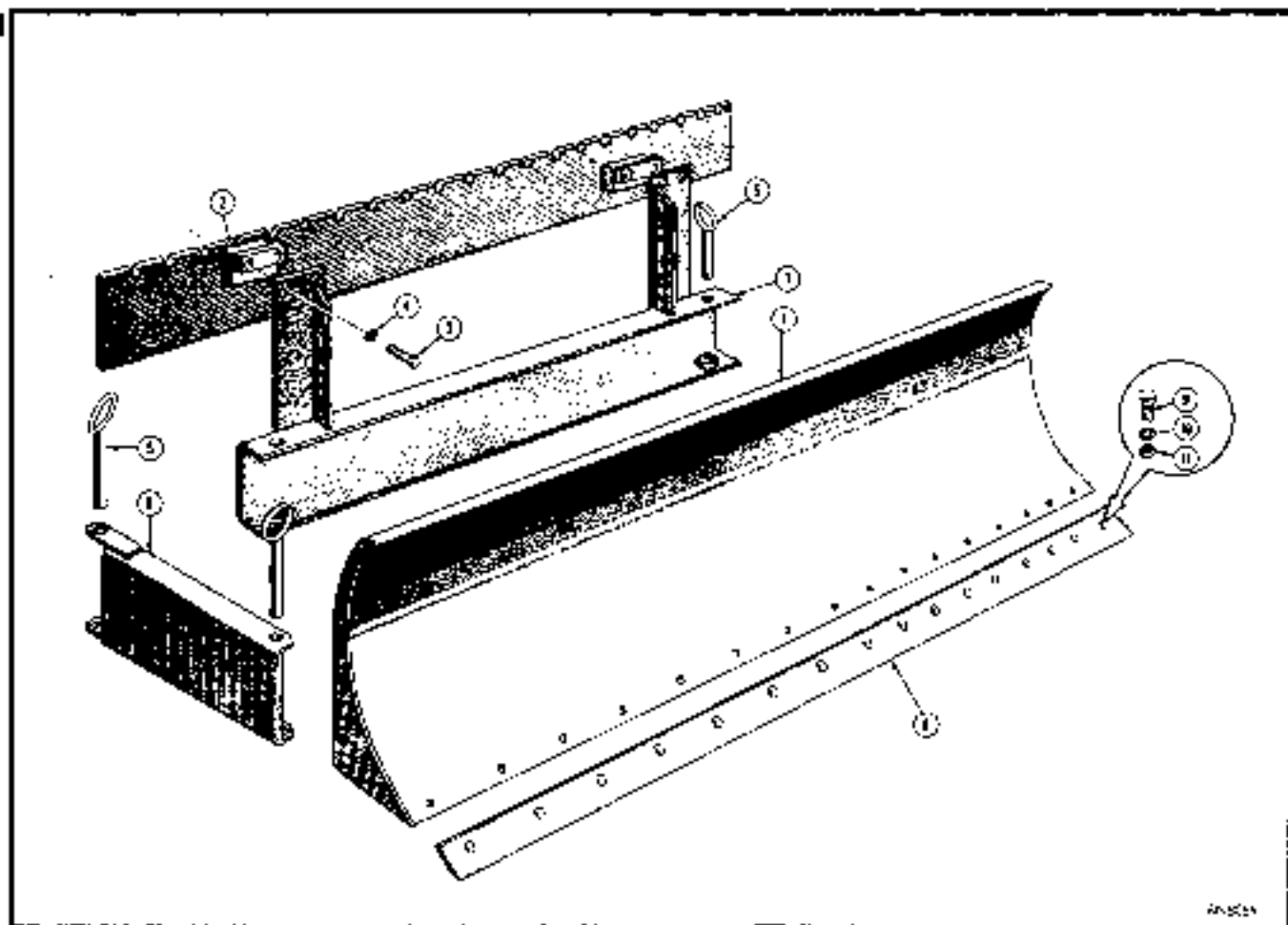
CRANE BOOM ATTACHMENT (LATE PRODUCTION)

REF.	PART NO.	DESCRIPTION	REQ'D.
1	D 27950	HANGER - boom arm	1
2	181- 713	SCREW - set, square head (1/8" - 11 NC x 3")	2
3	25- 1410	NUT - hex., jam (5/8" - 11 NC)	2
4	D 27952	PIN - pivot (2-1/8" x 22")	1
5	13- 612	RODS 3/8" - 16 NC x 3/4"	1
6	92- 6	WASHER - med. sec. lock (3/8")	1
7	D 27953	PIN - locking (includes chain)	1
8	D 27954	ARM - boom	1
9	D 27951	WASHER - pivot (2-7/16" I.D. x 3-3/4" O.D. x 1/8" thick)	1
10	D 27955	HOOK - boom	1
11	60916	WASHER - boom hook (1" I.D. x 2" O.D. x 1/4" thick) ...	1

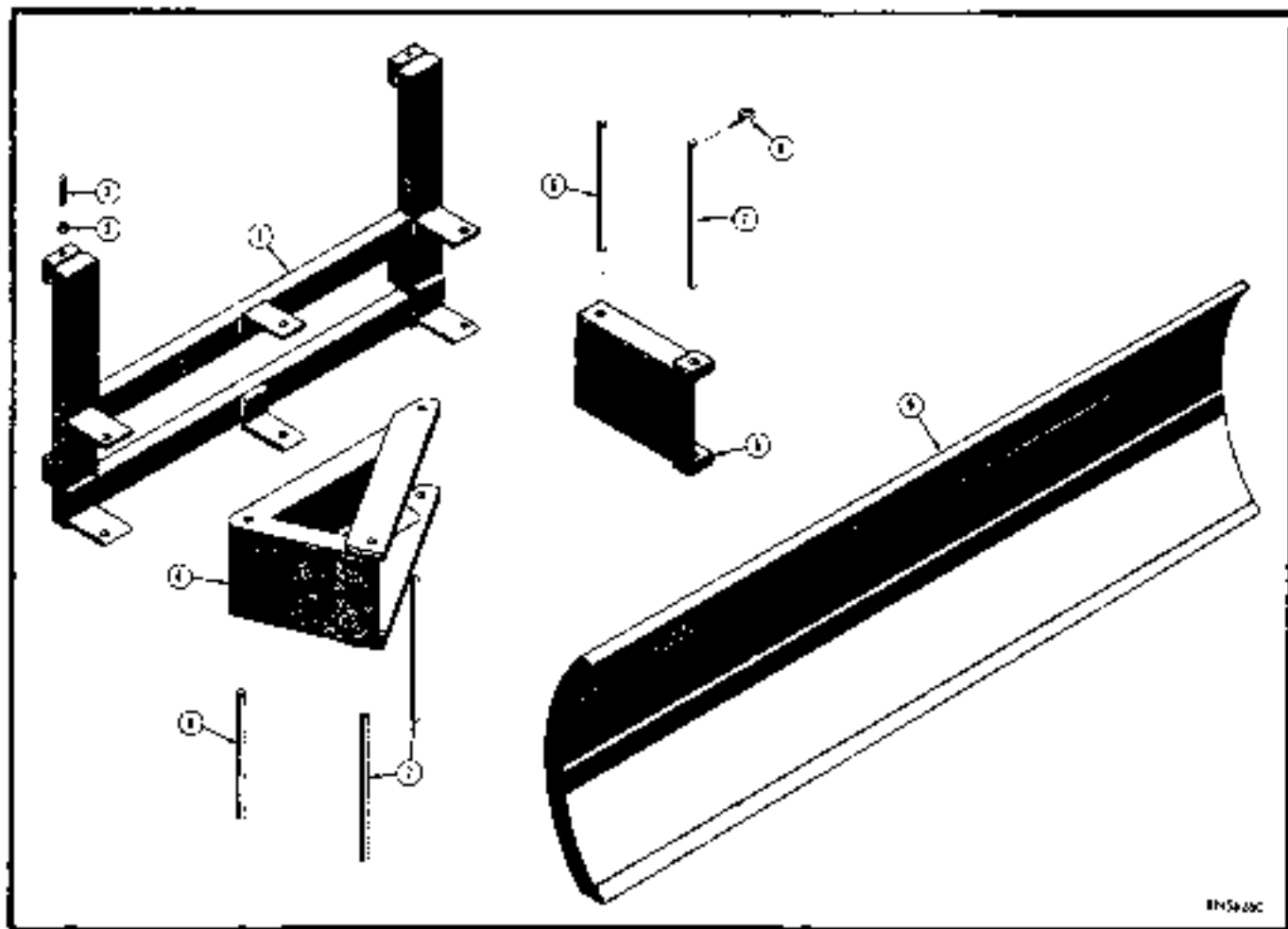


ANGLING DOZER ATTACHMENT (EARLY PRODUCTION)

REF.	PART NO.	DESCRIPTION	REQ'D.
1	D 24277	BLADE - dozer, angling	1
2	D 24232	PIN - pivot, blade	2
3	132- 52	PIN - cotter (1/8" x 1-1/2")	1
4	D 24270	SUPPORT - quadrant	1
5	D 24272	FRAME - mounting, blade	1
6	D 24261	BLOCK - clamp	2
7	13- 1036	BOLTS - 5/8" - 11 NC x 2-1/4"	2
8	92- 10	WASHER - med. sec. lock (5/8")	2
9	D 24268	PIN - pivot, quadrant support	1
10	D 24269	PIN - positioning	1
11	D 24274	BAR - spring guide	1
12	D 24273	PIN - yoke, spring rod	1
13	132- 52	PIN - cotter (1/8" x 1-1/2")	1
14	D 24276	SPRING - return, blade	1
15	90- 10	WASHER - flat (1" standard wrot)	1
16	D 24275	PIN - retaining, spring	1



AN-523



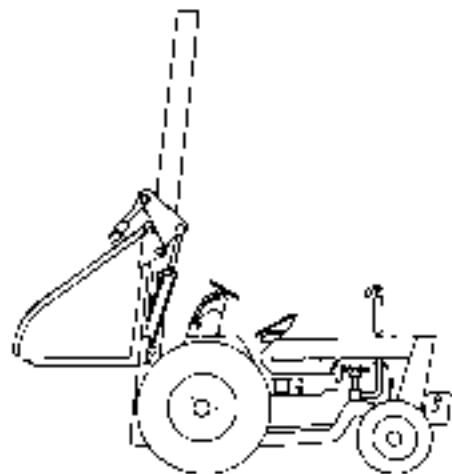
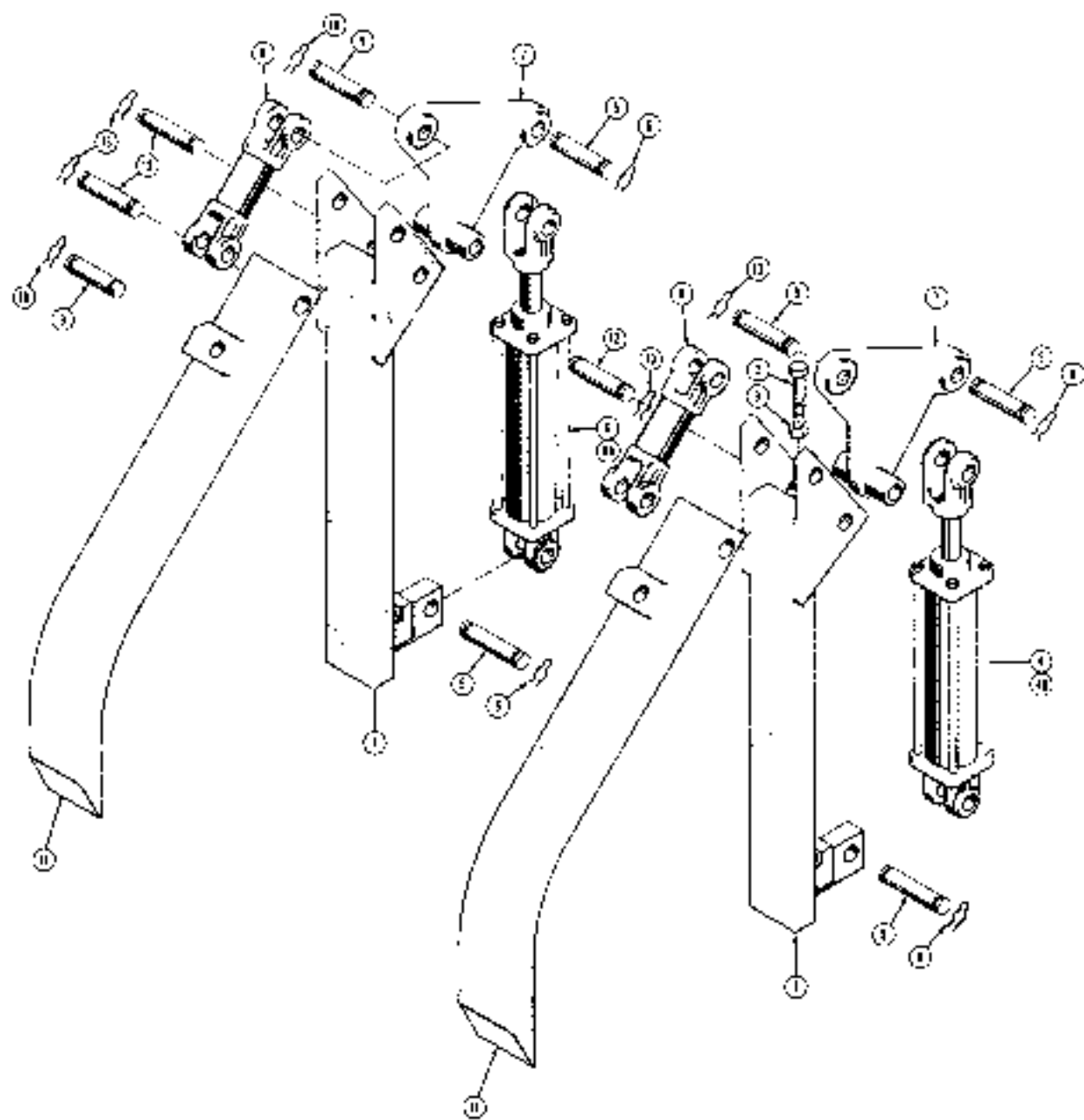
BN540C

ANGLING DOZER ATTACHMENT (INTERMEDIATE PRODUCTION)

REF.	PART NO.	DESCRIPTION	REQ'D.
1	D 23527	BRACKET - mounting	1
2	62039	BLOCK - clamp	2
3	14- 1212	HHCS - 3/4" - 16 NC x 2"	4
4	92- 12	WASHER - med. sec. lock (3/4")	4
5	60459	PIN - adjusting	3
6	60193	BRACE - blade	1
7	60409	BLADE - dozer, angling	1
8	60407	EDGE - cutting	1
9	19- 928	BOLT - plow (1/2" - 13 NC x 1-3/4")	16
10	92 8	WASHER - med. sec. lock (1/2")	16
11	25- 108	NUT - hex. (1/2" - 13 NC)	16

ANGLING DOZER ATTACHMENT (LATE PRODUCTION)

REF.	PART NO.	DESCRIPTION	REQ'D.
1	D 27865	FRAME - back	1
2	191- 713	SCREW - set, square head (5/8" - 11 NC x 3")	2
3	25 1410	NUT - hex., pos. (3/8" - 1. NC)	2
4	D 27868	BRACKET - angle	1
5	D 27864	BRACKET - stand out	1
6	D 27862	PIN - mounting (1" x 14")	2
7	D 27863	PIN - mounting (1" x 15-3/8")	3
8	D 27849	PIN - retainer, mounting pin	10
9	D 27861	BLADE - backfill	1



LOG CLAMP ATTACHMENT

REF.	PART NO.	DESCRIPTION	REQ'D.
1	D 20953	HANGER - log clamp	2
2	D 34440	SCREW - square head set (5/8" - 11 NC x 3-1/2")	2
3	25- 1410	NUT - hex., jam (3/8 - 1) NC)	2
4	D 27002	CYLINDER - log clamp (See page 45 for breakdown) Use D34436 and D34439	2
4A	D 34436	CYLINDER - log clamp, R.H. (See page 49 for breakdown)	1
4B	D 34439	CYLINDER - log clamp, L.H. (See page 49 for breakdown)	1
5	D 24183	PIN - pivot, cylinder to hanger and cylinder to link plate	2
6	D 24084	CLIP - retaining, D24083 pivot pin	4
7	D 28949	PLATE - link	2
8	D 28950	LINK - connective	2
9	D 24267	PIN - pivot, connecting link to link plate and con- necting link to tine	4
10	D 24109	CLIP - retaining, D24267 pivot pin	8
11	D 28954	TINE - log clamp	2
12	D 28492	PIN - pivot, same to link plate and link plate to hanger	4
13	D 24108	CLIP - retaining, D28952 pivot pin	8

*DECALS

REF.	PART NO.	DESCRIPTION	REQ'D.
	D 39816	KIT - decal, for Model 430 Fork Lift Wheel Tractor (Gas) When stock is exhausted use D31447	1
	D 39817	KIT - decal, for Model 430 Fork Lift Wheel Tractor (Diesel) When stock is exhausted use D31447 ...	1
	D 31447	KIT - decal, for Model 430 Fork Lift Wheel Tractor - Gas or Diesel	1

*NOTE These decals are for 430 and 440 Wheel Fork Lifts serial no. 4065701 and after. For the decals for 430 and 440 Wheel Fork Lifts before serial no. 4065701 and for the 310B and M42G Wheel Fork Lifts, see the appropriate catalogs listed on the front cover.

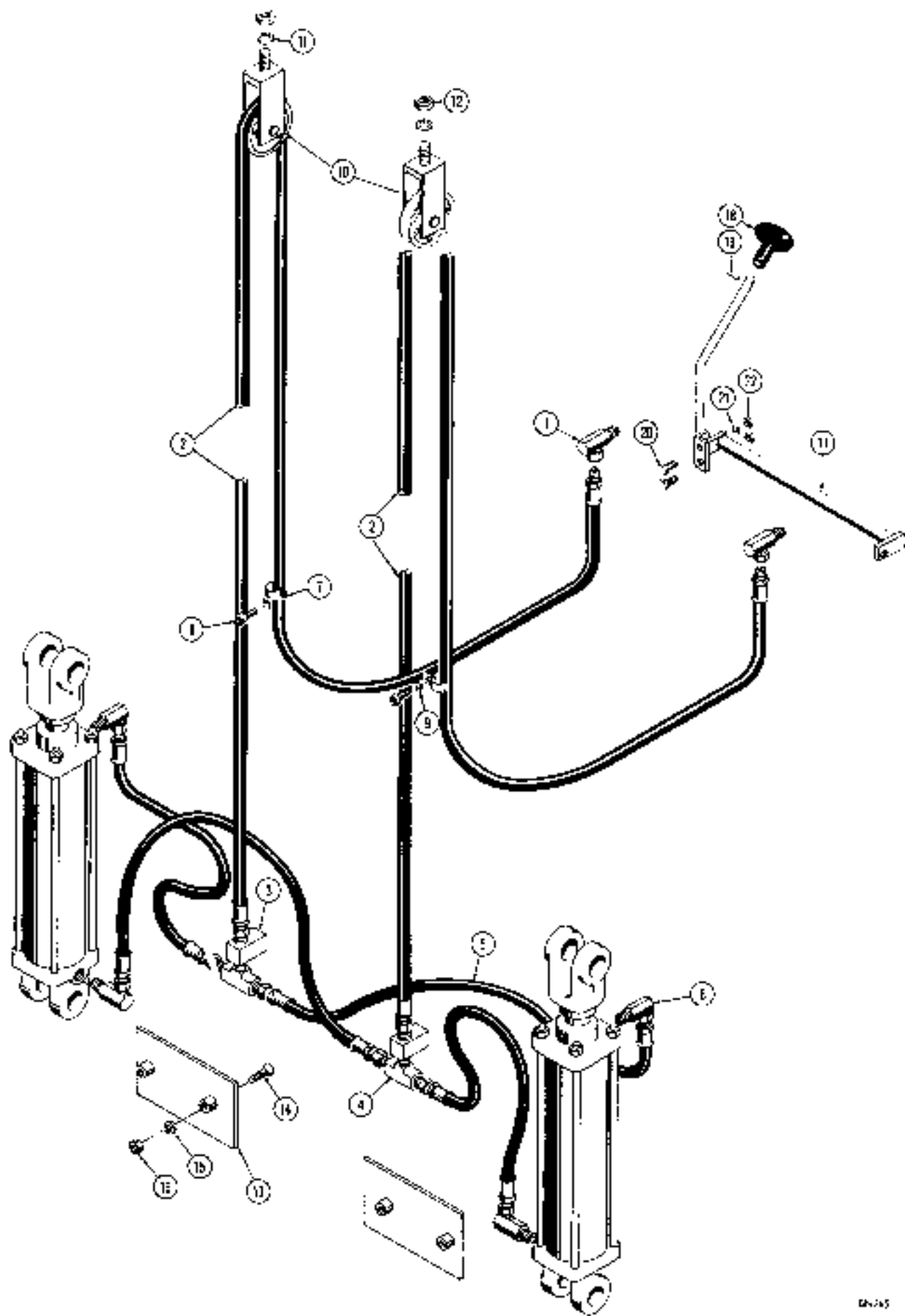
TRUSS ROD ATTACHMENT

REF.	PART NO.	DESCRIPTION	REQ'D.
	*D 11724	TRUSS ROD - comp. assy	1
1	D 29629	YOKE - mounting, R.H.	1
2	D 29630	YOKE - mounting, L.H.	1
3	13- 10128	WASHER - med. sec. lock (5/8")	2
4	25- 10	WASHER - med. sec. lock (5/8")	2
5	25- 1013	NUT - hex. (5/8" - 11 NC)	2
6	D 29557	BRACKET - truss rod, R.H.	1
7	D 29553	BRACKET - truss rod, L.H.	1
8	D 21059	SPACER - truss rod bracket hold, L.H. side of fork lift only	2
9	D 29555	BRACKET - truss rod mounting	2
10	13- 10136	WASHER - 5/8" - 11 NC x 8- 7/2"	2
11	25- 10	WASHER - med. sec. lock (5/8")	2
12	25- 1019	NUT - hex. (5/8" - 11 NC)	2
13	D 29555	ROD - truss	1
14	131- 357	NUT - lock (3/4" - 10 NC)	2

*NOTE: These items are standard equipment on all fork lifts serial no. 4963701 and after.

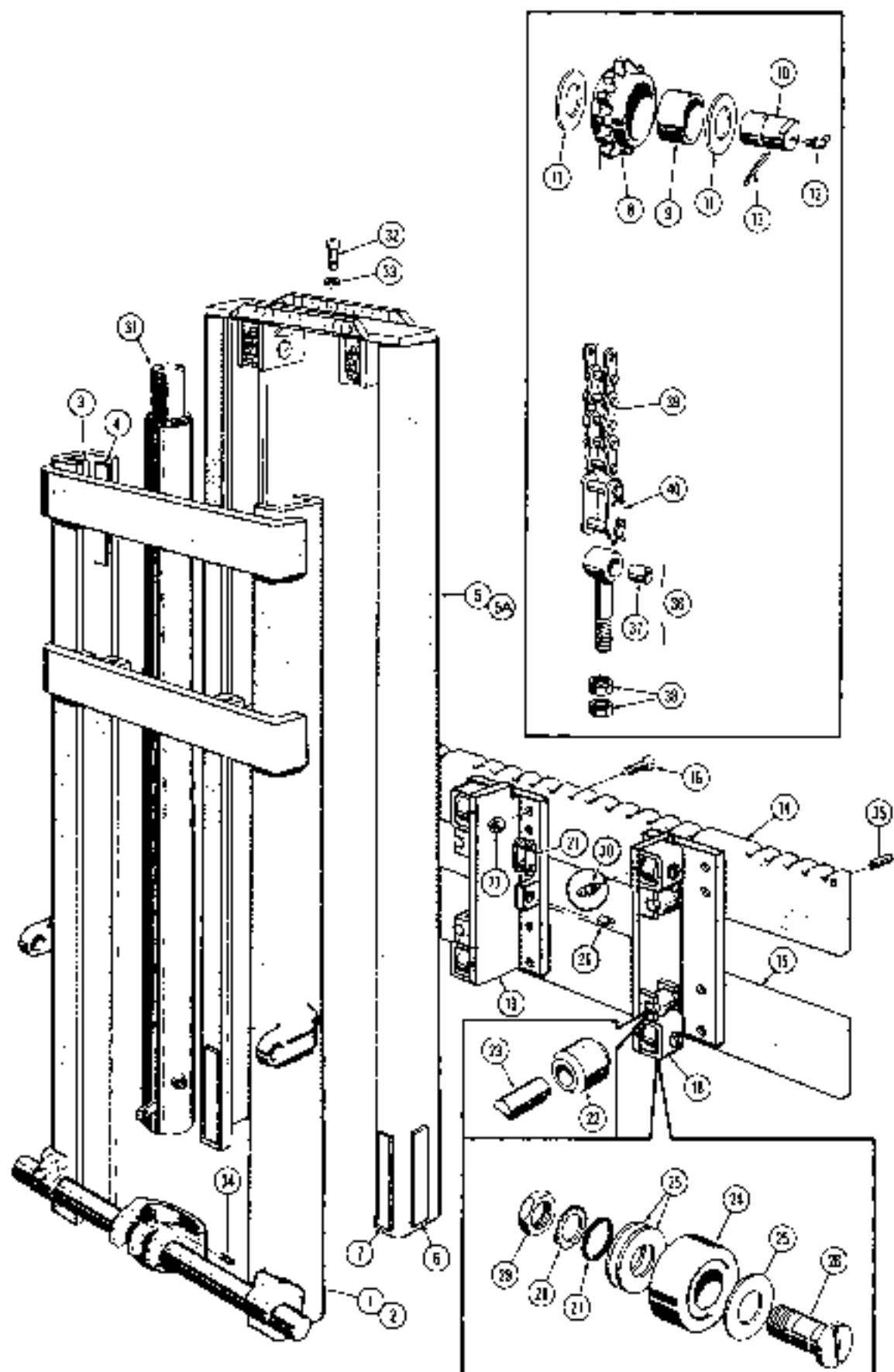
D34438 AND D34439 HYDRAULIC CYLINDERS

REF.	PART NO.	DESCRIPTION	REQ'D.
1	D 34438	CYLINDER - hyd., R.H. (3-1/2" I.D. x 10" stroke)	1
	D 34439	CYLINDER - hyd., L.H. (3-1/2" I.D. x 10" stroke)	1
2	D 24120	CAP - cylinder end, closed	1
	D 24127	KIT - cylinder packing	1
3	M55	SEAL - "O"ring, end caps	2
4	M58	CLIP - piston	2
5	M55	PACKING - piston rod (set of 3)	1
6	M55	SEAL - "O"ring, piston rod	1
7	M55	SEAL - wiper, piston rod	1
8	D 24083	PIN - pivot, cylinder	2
9	D 24084	CLIP - retaining, pivot pin	4
10	D 24130	TIPE - cylinder	1
11	25- 2316	NUT - castle, piston rod (1" - 14 NC)	1
12	138- 79	PIN - roll, 25-2316 nut	1
14	D 24132	PISTON - cylinder	1
14	D 24153	SPACER - cup	2
15	D 29460	ROD - piston (1-1/4" O.D.)	1
16	D 24135	GASKET - piston	1
17	D 24083	RING - retaining, packing	1
19	D 24137	CAP - cylinder end, open	1
20	D 24087	CLEVIS - piston rod	1
20	D 24138	ROD - tie	4
21	25- 108	NUT - tie rod (1/2" - 13 NC)	8
22	61- 628	SCREW - socket hd. (3/8" - 16 NC x 1-3/4")	1
23	25- 106	NUT - hex. (5/8" - 16 NC)	1



LOG CLAMP HYDRAULICS

REF.	PART NO.	DESCRIPTION	REQ'D.
1	D 24170	UNION - angle, top and bottom control valve ports . . .	2
2	D 25131	HOSE - control valve to plate (10'5" mast) 14'8" long .	2
	D 25232	HOSE - control valve to plate (16'3" mast) 18' long .	2
3	D 24342	BLOCK - hose retaining (welded to lower banking plate)	2
4	D 34437	TEE - at block, 1/4" NPT	2
5	L 29834	HOSE - to cylinders	4
6	D 34436	UNION - 90° adapter, at cylinder ports	4
7	D 24202	CLAMP - hose on mast	2
8	61- 416	SCRE - 1/4" - 20 NC x 1"	2
9	92- 4	WASHER - med. sec. lock (1/4")	2
10	L 24277	PULLEY - hose (includes bracket)	2
11	92- 6	WASHER - med. sec. lock (1/8")	1
12	25- 106	NUT - hex. (3/8" - 16 NC)	1
13	D 34435	PLATE - guard	2
14	64- 640	SCRE - 3/8" - 16 NC x 2-1/2"	4
15	92- 6	WASHER - med. sec. lock (3/8")	4
16	25- 106	NUT - hex. (3/8" - 16 NC)	4
17	D 24288	LEVER - control	1
18	D 24184	KNOB - control lever	1
19	130- 57	PIN - roll (1/8" x 3/4")	1
20	71- 432	SCRE - 3/8" - 16 NC x 2"	2
21	92- 6	WASHER - med. sec. lock (1/8")	2
22	25- 106	NUT - hex. (3/8" - 16 NC)	2



HEAVY DUTY MASTS (OPTIONAL)

REF.	PART NO.	DESCRIPTION	REQ. L.
	D 14546	MAST - heavy duty, complete (12')	1
	D 14547	MAST - heavy duty, complete (14'3")	1
	D 16567	CHANNEL - outer, 12' mast	1
2	D 16568	CHANNEL - outer, 14'3" mast	1
3	D 32555	PLATE - wear, 5' brass	2
4	D 27364	PLATE - wear, 10" brass	4
5	D 16569	CHANNEL - inner, 12' mast	1
5A	D 36577	CHANNEL - inner, 14'3" mast	1
6	D 27362	PLATE - wear, 10" brass (12' mast)	2
	60972	PLATE - wear, 11" brass (14'3" mast)	2
7	D 27365	PLATE - wear, 10" brass (12' mast)	4
	D 16566	PLATE - wear, 11" brass (14'3" mast)	4
8	D 36583	SPROCKET - lift chain	2
9	D 45505	BEARING - sprocket	2
10	D 36584	PIN - sprocket	2
11	D 36582	WASHER - thrust	4
12	219- 53	FITTING - 57-1/7" drive, 3/16"	2
13	132- 102	PIN - center (3/16" x 2-1/2")	2
14	D 36580	PLATE - backing, upper	1
15	D 36581	PLATE - backing, lower	1
16	61- 828	SCREWS - 1/2" - 14 NC x 1-3/4"	16
17	25- 148	NUT - hex., jam 1/2" - 14 NC	16
18	*D 36587	CARRIAGE - R.R.	1
19	*D 36588	CARRIAGE - L.L.	1
20	D 36572	BUSHING - chain connecting	1
21	D 36179	LINK - connecting 12-1/2" pitch	1
22	D 36590	ROLLER - side	4
23	D 36589	FIN - side roller	4
24	D 36593	ROLLER - load	4
25	D 36592	WASHER - thrust	12
	D 36191	KIT - axle, load roller	4
26	NSG	AXLE - load roller	1
27	A 7582	SEAL - "O" ring	1
28	194- 19	WASHER - lock, shockproof (1/4")	1
29	25- 1517	NUT - hex., jam 3/4" - 16 NF	1
30	219- 13	FITTING - grease, str. dr. (3/16")	4
31	D 36571	CYLINDER - lift, 12' mast (See page 43 for break-down)	1
	60969	CYLINDER - lift, 14'3" mast (See page 43 for break-down)	1
32	61- 824	SCREWS - 1/2" - 20 NF x 1-1/2"	2
33	22- 5	WASHER - std. sec. lock (1/2")	2
34	138- 36	PIN - roll (1/4" x 1-1/4")	1
35	119- 90	PIN - roll (7/16" x 2")	2
36	D 36575	BOLT - eye, chain anchor	2
37	D 36576	BUSHING - eye bolt	1
38	25- 1116	NUT - hex. (1" - 14 NF)	4
39	D 36577	CHAIN - roller, lift (12' mast) 79 links	2
	D 36578	CHAIN - roller, lift (14'3" mast) 89 links	2
40	D 36579	LINK - connecting 12-1/2" pitch	4

*NOTE: Carriages must be aligned and drilled at time of installation.

HOSE AND FITTING ASSEMBLY CONVERSION PART NUMBERS

To make up a replacement hose line, find the CASE original equipment part number in the left hand column. Reading to the right of this number, are the component part numbers needed to assemble the replacement hose line.

ORIGINAL EQUIPMENT ASS'Y NO.	BULK HOSE NO.	CUT HOSE LENGTH	USE FITTING NO.	USE FITTING NO.	ADDITIONAL PARTS REQUIRED
D24158	A21574	16-3/4"	220-226	220-226	
D24169	A21567	35-3/4"	220-127	220-127	
D24172	A21567	24-3/4"	220-127	220-127	
D24259	A21566	35-1/2"	220-126	220-125	
D24260	A21566	29-1/2"	220-126	220-125	
D24260	A23299	14' 5-1/2"	220-144	220-126	
D24281	A23299	17' 9-1/2"	220-144	220-126	
D24300	A23299	27' 5-1/2"	220-126	220-125	
D24304	A21565	18"	220-123	220-123	
D24307	A21565	12"	220-123	220-123	
D25231	A23299	14' 5-1/2"	220-126	220-125	
D25232	A23299	17' 9-1/2"	220-126	220-125	
D25265	A21565	42-5/8"	220-123	220-123	
D27001	A21566	14"	220-104	220-125	
D27005	A21566	11"	220-104	220-125	
D29014	A21565	27-1/2"	220-123	220-123	

NUMERICAL INDEX

PART NO.	PAGE NO.	REF. NO.	PART NO.	PAGE NO.	REF. NO.	PART NO.	PAGE NO.	REF. NO.
6010	43	2	60405	75	7	A 35029	11	9
			60407	75	8	A 35040	11	13
11391	69	13	60455	75	5	A 35041	11	10
31400	60	7	60914	19	31	A 35042	11	11
34109	37	21	60915	19	29	A 35043	11	12
34109	39	26	60915	23	30	A 35297	11	16
34110	37	19	60916	19	32	A 35573	33	16
34110	39	24	60916	23	34			
34111	37	20	60916	71	6, 11	B 12470	17	8
34111	39	25	60917	19	30	B 12472	17	8
34112	37	18	60917	22	31	B 12501	17	8
34113	37	17	60919	19	7	B 12502	17	8
34113	39	20	60939	23	10			
34115	37	18	60942	19	9	DR 10513	33	10
31115	39	19	60942	23	12			
34115	41	17	60943	19	12	F 31079	35	3, 14
34118	37	12	60943	23	16			
34120	39	23	60944	19	8	G 11263	33	16
34488	35	21	60944	23	11	G 11343	33	17
34534	35	6	60946-120	21	13	G 11712	33	17
34625	35	9	60947	21	17	G 35217	33	11
34626	35	11	60947	23	19	G 36305	33	12
			60948	21	18	G 44837	11	9
36280	33	8	60948	25	40	G 44874	11	2
36625	37	27	60951	43	15			
36625	39	35	60954	43	14	D 10464	27	1
36625	41	26	60955	43	17	D 10465	27	2
36626	37	6	60958	19	6	D 10466	27	3
36626	39	7	60969	19	13	D 10545	69	2
36626	41	6	60969	29	45	D 10653	27	1
36629	37	7	60969	43	2	D 10670	69	1
36629	39	8	60969	83	31	D 11734	79	1
36629	41	7	60972	19	4, 6			
36630	37	8	60972	83	6	E 21005	33	2
36630	39	9	61005	69	19	D 21007	33	5
36630	41	8	61033	69	3	C 21334	35	4
36631	39	6	61035	75	2	G 21337	35	19
36631	37	5	65293	69	15	D 21340	35	13
36631	41	5	65294	69	6	D 21345	35	7
36632	37	9	65295	69	8	E 21465	35	5
36532	39	10				D 21466	35	12
36632	41	9	A 7450	39	16			
36633	37	4	A 7982	83	27			
36633	39	5				D 23175	15	50
36633	41	4	A 20463	11	2	D 23176	15	61
36634	37	22	A 20621	11	3	D 23527	75	1
36635	37	13	A 20990	11	17	D 23723	37	23
36642	37	2	A 20991	11	18	D 23721	39	28
36642	39	3	A 21462	11	15	D 23723	41	24
36642	41	2	A 21457	11	2	D 23928	39	27
36644	37	7	A 21565	94		D 23928	41	12
36645	37	3	A 21566	94		D 23929	39	29
36645	39	4	A 21567	84		D 13900	39	12
36645	41	3	A 21574	94		D 23932	39	31
36650	39	11	A 23293	84		D 23932	41	23
36650	37	10	A 24080	11	7			
36650	41	10	A 26727	11	19	D 24038	29	16
36660	39	22	A 35033	11	14	D 24038	33	1
			A 35034	11	1	D 24038	35	1
40200	35	20	A 35035	11	4	D 24039	35	2
			A 35036	11	6	D 24042	35	9
60393	75	6	A 35039	11	8	D 24044	35	17

NUMERICAL INDEX . . . (CONT.)

PART NO.	PAGE NO.	REF. NO.	PART NO.	PAGE NO.	REF. NO.	PART NO.	PAGE NO.	REF. NO.
D 24045	35	22	D 24127	79	3	D 24170	67	1
D 24047	35	23	D 24130	45	20	D 24170	81	1
D 24048	29	23	D 24130	47	10	D 24171	29	42
D 24048	37	1	D 24130	79	10	D 24172	29	44
D 24049	37	15	D 24132	45	13	D 24172	94	
D 24049	39	18	D 24132	47	12	D 24173	19	13
D 24053	35	24	D 24132	79	13	D 24173	29	46
D 24059	79	6	D 24133	45, 79	14	D 24173	43	1
D 24080	5	26	D 24133	47	13	D 24174	43	18
D 24080	29	45	D 24134	47	14	D 24175	23	17
D 24080	45	1	D 24135	45	16	D 24175	29	48
D 24080	53	8	D 24135	47	15	D 24175	43	19
D 24081	45	2	D 24135	79	16	D 24176	31	47
D 24083	5	27	D 24137	45	18	D 24176	55	2
D 24083	45	8	D 24137	47	17	D 24176	57	2
D 24083	47	8	D 24137	79	18	D 24176	61	2
D 24083	51	9	D 24138	45	20	D 24176	65	2
D 24083	53	9	D 24138	47	18	D 24177	31	49, 53
D 24083	77	5	D 24138	79	20	D 24178	29	4
D 24083	79	8				D 24179	33	5
D 24084	5	28	D 24140	37	26			
D 24084	45	9	D 24140	39	34	D 24180	7	1
D 24084	47	9	D 24140	41	25	D 24191	7	4
D 24084	51	7, 11	D 24141	39	37	D 24192	7	5
D 24084	53	10	D 24141	33	1	D 24193	9	1
D 24084	77	6	D 24142	33	3	D 24184	9	5
D 24084	79	9	D 24143	33	4	D 24194	55	24
D 24085	45	10	D 24143	5	1	D 24184	57	21
D 24088	45	11	D 24145	5	17	D 24184	61	17
D 24088	65	14	D 24146	5	18	D 24204	63	17
D 24090	45	15	D 24147	5	22	D 24184	65	20
D 24091	45	16	D 24148	5	23	D 24184	67	16
D 24091	47	12	D 24148	49	11	D 24184	81	18
D 24092	45	17	D 24149	5	2	D 24185	9	7
D 24092	47	16	D 24150	5	25	D 24185	9	8
D 24092	79	17	D 24151	5	12	D 24187	9	5
D 24093	45	2	D 24152	7	1	D 24188	9	13
D 24094	45	18	D 24153	7	8	D 24189	9	14
D 24097	45	19	D 24154	7	9	D 24190	9	15
D 24097	47	14	D 24157	29	21	D 24191	9	17
D 24097	79	19	D 24158	29	22	D 24191	17	21
D 24098	45	20	D 24158	84		D 24192	9	18
			D 24159	29	27	D 24192	17	1
D 24107	47	1				D 24193	9	20
D 24102	61	14	D 24160	29	28	D 24198	13	3
D 24102	63	14	D 24161	29	30	D 24199	13	19
D 24107	65	7	D 24162	29	36			
D 24102	67	5	D 24164	29	33	D 24200	13	5
D 24103	47	2	D 24165	29	2, 5	D 24201	13	21
D 24105	47	6	D 24166	29	7	D 24202	13	6
D 24106	47	7	D 24167	29	8	D 24203	13	9
D 24106	77	10, 13	D 24168	29	39	D 24204	13	23
D 24109	47	10	D 24168	29	40	D 24205	13	25
D 24112	47	13	D 24169	31	49, 51	D 24206	13	8, 22
D 24118	47	2	D 24169	61		D 24207	9	24
D 24119	47	1	D 24170	29	41	D 24208	15	44
D 24119	51	8	D 24170	31	50	D 24209	15	46
D 24120	45	3	D 24170	55	1	D 24210	15	1
D 24120	47	3	D 24171	57	1	D 24211	15	49
D 24120	79	2	D 24171	61	1	D 24212	15	51
D 24127	45	1	D 24170	63	1	D 24213	15	52
D 24127	47	2	D 24170	65	1	D 24214	15	46

NUMERICAL INDEX... (CONT.)

PART NO.	PAGE NO.	REF. NO.	PART NO.	PAGE NO.	REF. NO.	PART NO.	PAGE NO.	REF. NO.
D 24215	15	55	D 24266	51	10	D 24298	67	14
D 24216	13	18	D 24267	51	6	D 24299	57	14
D 24216	15	59	D 24267	77	9			
D 24217	15	54	C 24268	73	9	D 24300	57	3
D 24218	13	29	D 24269	73	10	D 24300	65	3
D 24219	13	30	D 24270	73	4	D 24300	67	2
			D 24271	73	5	D 24300	84	
D 24220	13	31	D 24272	73	1	D 24301	57	4
D 24221	13	13, 32	D 24273	73	12	D 24302	65	5
D 24222	73	2	D 24274	73	11	D 24302	65	17
D 24223	13	35	D 24275	73	16	D 24303	57	14
D 24224	13	36	D 24276	73	14	D 24303	65	12
D 24225	13	37	D 24277	55	7	D 24304	65	5
D 24226	13	40	D 24277	61	9	D 24304	67	3
D 24227	13	11	D 24277	63	9	D 24304	84	
D 24228	13	10	D 24277	82	10	D 24307	19	18
D 24229	55	11	D 24279	55	19	D 24307	61	12
D 24230	13	15	D 24279	57	9	D 24307	64	
D 24231	13	15				D 24312	49	11
D 24232	17	3	D 24280	55	3	D 24312	61	13
D 24233	17	4	D 24280	61	3	D 24312	63	13
D 24234	17	5	D 24280	84		D 24312	65	6
D 24235	17	8	D 24291	55	3	D 24312	67	4
D 24236	19	1	D 24281	61	3	D 24319	19	31
D 24237	19	1	D 24281	84		D 24319	23	33
D 24238	21	1	D 24282	55	4	D 24322	19	1
D 24239	15	43	D 24282	61	6	D 24323	19	3
			D 24282	63	6	D 24324	19	21
D 24241	17	23	D 24282	81	7	D 24324	23	22
D 24242	17	25	D 24283	55	14	D 24325	19	23
D 24243	17	12	D 24284	55	15	D 24325	23	23
D 24244	17	16	D 24285	55	16	D 24326	19	18
D 24245	17	17	D 24286	55	17	D 24330	19	5
D 24246	13	3	D 24286	57	7	D 24331	21	36
D 24246	17	13	D 24287	55	18	D 24332	33	1
D 24247	17	14	D 24287	57	8	D 24333	23	1
D 24248	17	10	D 24288	55	23	D 24334	23	4
D 24249	17	9	D 24288	57	20	D 24335	23	8
D 24250	17	20	D 24288	61	15	D 24336	23	38
D 24251	17	27	D 24288	63	16	D 24339	23	38
D 24252	43	14, 25	D 24288	65	19	D 24340	25	40
D 24253	43	26	D 24288	67	15	D 24341	59	1
D 24254	43	27	D 24288	81	17	D 24342	49	15
D 24255	43	28	D 24291	13	13, 33	D 24342	59	5
D 24256	55	10	D 24292	57	13	D 24342	81	3
D 24257	51	5	D 24292	65	10	D 24343	59	6
D 24258	51	1	D 24293	67	8	D 24309	37	24
D 24259	51	12	D 24293	57	15	D 24389	39	17
D 24259	53	11	D 24293	65	13	D 24394	39	14
D 24259	84		D 24293	57	10	D 24870	23	38
			D 24294	57	16			
D 24260	51	13	D 24294	65	14	D 25231	63	2
D 24260	53	13	D 24294	67	11	D 25231	61	2
D 24260	84		D 24295	57	5	D 25231	84	
D 24261	51	2	D 24296	57	17	D 25232	63	2
D 24261	53	2	D 24296	65	15	D 25232	61	2
D 24261	73	6	D 24296	67	12	D 25233	84	
D 24262	51	14	D 24297	57	18	D 25233	49	16
D 24262	53	13	D 24297	65	16	D 25233	61	4
D 24263	29	23	D 24297	67	13	D 25234	49	17
D 24263	35	1	D 24298	57	14	D 25234	61	5
D 24266	47	88	D 24295	65	18	D 25480	71	

NUMERICAL INDEX ... (CONT.)

PART NO.	PAGE NO.	REF. NO.	PART NO.	PAGE NO.	REF. NO.	PART NO.	PAGE NO.	REF. NO.
D 25401	71	2	D 27004	49	2	D 28840	39	33
D 25402	71	4	D 27005	49	3	D 28840	41	22
D 25403	71	5	D 27008	84		D 28913	39	25
			D 27006	49	3	D 28940	19	26
D 25652	65	11	D 27007	49	6	D 28941	19	27
D 25652	67	9	D 27008	49	9	D 28942	21	36
D 25784	17	29	D 27009	49	9	D 28943	19	27A
D 25785	9	16	D 27010	49	10	D 28943	23	29A
D 25785	17	30, 34	D 27011	49	7	D 28944	19	26
D 25786	17	32	D 27012	49	10	D 28945	19	27
D 25787	17	35	D 27013	49	2, 12	D 28946	23	28
D 25788	17	41	D 27050	71	1	D 28947	23	27
D 25789	17	36	D 27051	71	9	D 28949	77	7
D 25790	9	15	D 27052	71	4	D 28950	77	8
D 25791	9	14	D 27053	71	7	D 28953	77	12
D 25791	9	24	D 27054	71	8	D 28953	77	1
D 25793	13	31	D 27055	71	10	D 28954	77	11
D 25794	13	30	D 27239	29	13	D 28959	47	15
D 25795	13	29	D 27240	29	11	D 28960	41	19
D 25841	41	15	D 27362	23	5, 9	D 28961	41	20
D 25944	41	18	D 27362	23	6	D 28966	13	12
			D 27362	23	3	D 28967	13	16A
D 26052	13	26	D 27364	23	2, 7	D 28968	29	21
D 26094	43	16	D 27365	23	6	D 28968	41	1
D 26164	21	37	D 27365	23	4, 7			
D 26195	21	36	D 27366	19	2	D 29532	79	6
D 26196	19	28	D 27374	5	2	D 29533	79	7
D 26196	21	35	D 27435	5	13	D 29555	79	13
D 26196	23	29				D 29536	79	9
D 26196	25	41	D 27503	29	1	D 29617	33	19
D 26197	21	36	D 27504	29	13A	D 29629	5	17
D 26198	5	14	D 27541	37	25	D 29629	79	1
D 26199	23	38	D 27541	39	32	D 29630	5	18
D 26200	25	40	D 27861	75	9	D 29696	5	29
D 26301	23	38	D 27862	75	6	D 29826	77	
D 26362	61	13	D 27863	75	7	D 29817	77	
D 26362	63	13	D 27864	75	5	D 29821	9	7
D 26362	65	6	D 27865	75	1	D 29828	59	1
D 26362	67	4	D 27866	75	4	D 29829	59	2
D 26363	61	15	D 27949	75	8	D 29830	59	3
D 26363	61	15	D 27952	23	18	D 29830	79	2
D 26363	65	8				D 29831	59	6
D 26363	67	6	D 28146	31	52	D 29832	59	4
D 26363	69	15	D 28147	47	17	D 29833	59	5
D 26364	69	5	D 28149	63	5	D 29834	61	12
D 26365	65	4	D 28149	67	19	D 29834	81	5
D 26365	84		D 28150	63	4	D 29834	84	
D 26379	41	16	D 28151	67	18			
D 26465	17	37	D 28157	33	9	D 30101	33	20
D 26750	5	6	D 28178	53	6	D 31447	77	
D 26759	7	1	D 28179	53	5			
D 26926	17	35	D 28180	53	1	D 32275	19	1
			D 28273	59	2	D 32276	19	1
D 27001	49	1	D 28327	63	8	D 32555	19	2
D 27001	49	4	D 28337	43	16	D 32555	83	3
D 27001	84		D 28360	65	15	D 32573	19	2
D 27002	5	27	D 28360	79	15	D 32574	19	4
D 27002	29	45	D 28574	39	30	D 32575	59	2
D 27002	49	1	D 28374	41	21	D 32576	59	3
D 27002	49	1	D 28575	41	14	D 32579	43	29
D 27002	77	4	D 28576	39	13	D 32580	43	32
D 27003	49	5	D 28576	41	11	D 32581	43	33

NUMERICAL INDEX . . . (CONT.)

PART NO.	PAGE NO.	REF. NO.	PART NO.	PAGE NO.	REF. NO.	PART NO.	PAGE NO.	REF. NO.	
D 32582	43	34	VE 2983	39	21	25- 105	55	22	
D 32583	21	37	VE 3340	33	13	25- 105	57	12	
D 32584	23	39				25- 106	5	8	
D 32586	21	36				25- 106	9	4	
D 32587	21	36				25- 106	13	2	
D 32588	19	9A				25- 106	29	26	
			[REARWARD PART NUMBERS				25- 106	45	23
D 34425	91	13				25- 106	47	16, 19	
D 34436	81	6	13- 412	9	21	25- 106	55	9, 28	
D 34437	81	4	13- 412	61-	7	25- 106	57	25	
D 34438	77	4A	13- 416	49	3, 13	25- 106	61	11, 21	
D 34438	79	1	13- 512	17	18	25- 106	63	11, 21	
D 34439	77	4B	13- 516	17	38	25- 106	65	26	
D 34439	79	1	13- 540	55	20	25- 106	67	17C	
D 34440	77	2	13- 540	57	10	25- 106	79	23	
D 34546	83	1	13- 612	4	2	25- 106	81	12, 16	
D 34547	83	1	13- 612	71	5	"	81	22	
			13- 616	9	7, 11	25- 107	45	21	
D 35560	9	20	13- 620	13	2	25- 108	1	16A	
			13- 632	55	26	25- 108	7	4, 7, 12	
D 36567	83	1	13- 632	57	23	25- 108	29	19	
D 36568	83	2	13- 632	61	19	25- 108	33	4	
D 36569	83	5	13- 632	63	19	25- 108	45	21	
D 36570	83	5A	13- 632	65	32	25- 108	47	19	
D 36571	83	1A	13- 632	67	17A	25- 108	75	11	
D 36571	83	31	13- 636	29	24	25- 109	79	21	
D 36572	83	20	13- 648	17	6	25- 114	15	50	
D 36575	83	36	13- 672	5	7	25- 116	13	38	
D 36576	83	37	13- 724	33	14	25- 116	69	15	
D 36577	83	39	13- 820	7	2	25- 118	13	32	
D 36578	83	39	13- 928	5	15	25- 110	21	40	
D 36579	83	21, 40	13- 836	29	17	25- 118	25	42	
D 36580	83	14	13- 836	33	2	25- 118	69	9	
D 36581	83	15	13- 842	35	15				
D 36582	83	11	13- 846	35	16	25- 148	19	25	
D 36583	83	8	13- 852	7	5, 10	25- 148	23	26	
D 36584	83	10	13- 1016	29	34	25- 148	83	17	
D 36585	83	9	13- 1024	7	13	25- 1020	5	21	
D 36586	83	7	13- 1032	53	3	25- 1010	59	4	
D 36587	83	18	13- 1036	51	3	25- 1010	79	5, 13	
D 36588	83	19	13- 1036	73	7	25- 1122	45	11	
D 36589	83	23	13- 1224	33	6	25- 1122	69	22	
D 36590	83	22	13- 1240	5	10	25- 1126	45	11	
D 36591	83	26	13- 1240	29	31	25- 1126	47	11	
D 36592	83	25	13- 10128	5	19	25- 1126	83	38	
D 36593	83	24	13- 10128	79	3	25- 1410	49	8	
D 36809	27	3A	13- 11136	79	10	25- 1420	71	3	
D 36911	21	42				25- 1420	75	3	
D 36911	25	43	14- 712	7	2	25- 1420	77	3	
D 36915	35	9	14- 832	5	3	25- 1520	19	34	
D 36916	35	11	14- 1232	69	17	25- 1510	21	44	
			14- 1232	75	3	25- 1510	23	36	
D 36919	53	6A	14- 1236	69	4	25- 1510	25	46	
						25- 1512	25	42	
C 4896 CB	37	11	19- 028	75	9	25- 1512	47	11	
O 7210 AB	37	14				25- 1512	83	29	
O 8416 AB	37	13	25- 104	9	23	25- 2312	45	21	
			25- 104	15	58	25- 2316	45	11	
R 1486R	63	7	25- 104	29	10	25- 2316	79	11	
R 1486R	67	20	25- 105	9	27				
			25- 105	15	41	61- 416	55	5, 12	
VE 2983	17	16	25- 105	17	40	61- 416	63	7	

NUMERICAL INDEX ... (CONT.)

PART NO.	PAGE NO.	REF. NO.	PART NO.	PAGE NO.	REF. NO.	PART NO.	PAGE NO.	REF. NO.			
61-	416	81	8	92-	8	21	20	138-	143	9	19
61-	528	45	22	92-	8	29	19	138-	143	17	2
61-	623	47	18	92-	8	31	3	138-	174	59	7
61-	628	79	22	92-	8	75	10	138-	190	21	41
61-	820	19	23	92-	8	83	33	138-	190	25	43
61-	820	23	24								
61-	825	19	24	92-	10	5	20	141-	6	69	23
61-	828	23	25	92-	10	7	14				
61-	828	83	16	92-	10	19	20	171-	223	9	26
61-	1020	49	6	92-	10	39	35	171-	223	15	35
61-	1024	19	19	92-	10	51	4				
				92-	10	53	4	179-	426	43	12, 24
				92-	10	73	8				
62-	824	19	15	92-	10	79	4, 21	181-	713	59	3
62-	824	23	19	92-	10	79	4, 21	181-	713	71	2
62-	824	83	32	92-	12	5	11	181-	713	75	2
62-	852	23	19	92-	12	29	32				
				92-	12	33	7				
64-	640	81	14	92-	12	69	5, 21	192-	23	35	17
				92-	12	75	4				
71-	432	81	20					193-	14	19	33
73-	48	15	25	95-	12	69	20	193-	14	21	43
				95-	16	73	13	193-	14	23	25
83-	56	33	21	126-	16	35	10	193-	14	25	45
				126-	128	17	31	193-	15	33	28
85-	1048	49	7					195-	35	65	11
				131-	357	79	14	195-	53	13	27
92-	4	9	22					195-	53	65	18
92-	4	15	57	132-	4	15	53				
92-	4	29	9	132-	47	13	14, 34	211-	12	39	16
92-	4	49	4, 14	132-	48	69	12, 24	211-	12	41	14
92-	4	55	6, 13	132-	52	73	3, 13	211-	13	17	14
92-	4	61	9	132-	99	19	11	211-	15	19	14
92-	4	63	8	132-	99	23	15	211-	15	21	19
92-	4	81	9	132-	102	83	13	211-	15	43	25
92-	5	9	26					211-	6	69	10
92-	5	15	42	138-	57	9	6				
92-	5	17	19, 39	138-	57	53	25	214-	253	57	4
92-	5	53	21	138-	57	57	22	214-	253	65	9
92-	5	57	11	138-	57	61	18	214-	253	67	7
				138-	57	63	18	214-	256	29	29
92-	6	3	8	138-	57	65	21	214-	263	29	12
92-	6	9	3, 7, 12	138-	57	67	17				
92-	6	13	2	138-	57	81	19	217-	17	29	43
92-	6	17	7	138-	79	45	12	217-	22	57	6
92-	6	29	25	138-	79	79	12				
92-	6	53	8, 27	138-	90	83	35	218-	474	49	5
92-	6	57	24	138-	104	13	28				
92-	6	61	10, 20	138-	104	27	2, 4	219-	1	5	9
92-	6	63	10, 20	138-	135	17	26	219-	1	17	15
92-	6	65	23	138-	136	7	6	219-	1	71	3
92-	6	67	175	138-	136	9	17	219-	8	13	17
92-	6	69	14	138-	136	17	11, 22	219-	8	23	14, 27
92-	6	71	6	138-	136	19	17	219-	10	5	24
92-	6	81	21, 15	138-	136	23	21	219-	13	4	10
92-	"	81	21	138-	136	33	34	219-	13	13	29
				138-	138	11	4, 7, 25	219-	13	17	15
92-	7	7	3					219-	13	19	10, 25
92-	7	33	15	138-	136	15	45, 47	219-	13	21	45
92-	8	3	4, 10	138-	138	17	24, 29	219-	13	23	14, 27
92-	8	7	3, 6, 11					219-	13	25	47
92-	8	19	16	138-	140	53	7	219-	13	59	7

NUMERICAL INDEX ... (CONT.)

PART NO.	PAGE NO.	REF. NO.	PART NO.	PAGE NO.	REF. NO.	PART NO.	PAGE NO.	REF. NO.
219-	13	83			30			
219-	40	9			16			
219-	40	17			30, 34			
	"	17			41			
219-	53	83			12			
219-	57	23			13			
220-	134	94						
220-	123	94						
220-	125	84						
220-	126	84						
220-	127	84						
220-	144	84						
220-	226	84						
221-	1	29			21A			
221-	4	29			3, 6			
221-	74	29			20			
221-	185	31			54			
221-	300	29			14			
221-	416	29			39			
221-	418	29			15			

MEMO

Lined area for writing a memo.

Printed in U.S.A.

CASE CORPORATION
700 STATE STREET
FAC 1E, WI 53404 U.S.A

CASE CANADA CORPORATION
3350 SOUTH GLENVIEW ROAD
BURLINGTON, ON L7N 3W6 CANADA