

**530CK  
Forklift**

**Parts Catalog**

B918

Reprinted

***CASE*** 





1. Trim along the dotted line
2. Slide into the pocket on the Binder spine



1. Trim along the dotted line
2. Slide into the pocket on the Binder spine

## Indexes

This Parts Catalog is arranged for easy identification of Genuine CASE Service Parts. An alphabetical index is provided at the front of this Catalog to locate the major groups or assemblies. A numerical index at the rear of the Catalog gives the part numbers and the pages on which they are described.

## Illustrations

All parts are illustrated in "Exploded Views" which show the individual parts in their normal relationship to each other. Reference numbers are used in the illustrations. These numbers correspond to those in the "Reference Number" column and are followed by the part number, description and quantity required.

## Orders

Orders should plainly specify correct part number, full description, quantity required, machine model and engine model, machine and engine serial numbers, method of shipment and shipping address.

## Changes

When changes to the machine make it necessary, revised pages for this book will be issued. The revised pages will be issued with the same page number as those they replace and the "issue" number and date will be advanced.

It is imperative that revised Parts Book pages be inserted into their respective Parts Books as soon as received. Failure to do so will lead to confusion and defeat the purpose of the book.

## Indented Description

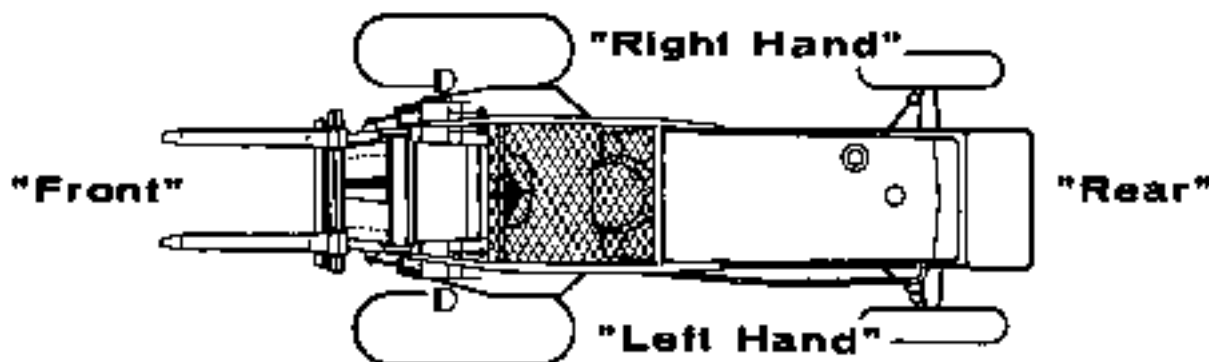
Indented parts in the description list are a part of the preceding assembly or sub-assembly. The quantity shown in the "Number Required" column is the number of parts used on a machine except where parts are indented in descriptive list. In this case the quantity shown is the number required for the preceding assembly or sub-assembly.

REF.	PART NO.	DESCRIPTION	REQ'D.
	A 55159	CYLINDER ASSY. - rear steering . . . . .	1
28	A 56206	SOCKET ASSY. - rear cylinder . . . . .	1
29	A 55956	PLUG - adjusting, socket assy. . . . .	1
30	A 55957	SEAT - socket ball . . . . .	2
31	A 56210	SPRING - socket . . . . .	1
32	A 56209	SEAT - socket spring . . . . .	1
33	G 45175	CLAMP ASSY. - socket assy. . . . .	1
34	16- 836	BHCS - 1 2" - 20 NF x 2-1/4" . . . . .	1
35	132- 104	PIN - cotter, 3/16" dia. x 3" . . . . .	1

## Terms "Right Hand" and "Left Hand" "Front" and "Rear"

The terms "Right hand" and "Left hand" sides of the fork lift are determined by sitting in the operator's seat facing the mast.

The terms "Front" and "Rear" of the fork lift are also determined by sitting in the operator's seat facing the mast.



## ALPHABETICAL INDEX

## A

Accessory Attachments - Optional	21-33
Accessory Hydraulics - Loader Bucket (Standard 10' 6" and 14' 3" Masts)	53
Accessory Hydraulics - Loader Bucket (Standard 21' 6" Mast)	55
Accessory Hydraulics - Log Clamp	35,27
Accessory Hydraulics - Side Shifter (Standard 10' 6" and 14' 3" Masts)	21
Accessory Hydraulics - Side Shifter (Standard 21' 6" Mast)	23

## B

Blade - Dozer	31
Boom - Crane	31
Bucket - Cement	32
Bucket - Loader	33
Brake - Pedals and Linkage	37

## C

Chain - Lift	9-19
Clutch - Pedal and Linkage	39
Control Tower	35
Counterweight - Fork Lift	5
Counterweight - Hydraulic Hose	25,55
Cylinder - Lift (10' 6" Mast)	57
Cylinder - Lift (12' Mast)	57
Cylinder - Lift (14' 3" Mast)	59
Cylinder - Lift (21' 6" Mast)	59
Cylinder - Loader Bucket	61,71
Cylinder - Log Clamp	65-69,77,79
Cylinder - Side Shifter	63,75
Cylinder - Tilt	61,65,71,73

## D

Decor Kit	38
Drive - Pump	45

## F

Filler - Hydraulic Oil	45
Forks - Cement Block	29
Forks - Logging	29
Forks - Pallet	29
Frame - Fork Lift Sub	5

## G

Guard - Overhead	7
------------------	---

## H

Hose and Filling Conversion Part Numbers	89
Hydraulics - Fork Lift Primary	45,47
Hydraulics - Lift Cylinder	49
Hydraulics - Loader Bucket (Standard 10' 6" and 14' 3" Masts)	53
Hydraulics - Loader Bucket (Standard 21' 6" Mast)	55
Hydraulics - Log Clamp	35,27
Hydraulics - Side Shifter (Standard 10' 6" and 14' 3" Mast)	21

## H

Hydraulics - Side Shifter (Standard 21' 6" Mast)	23
Hydraulics - Steering	41
Hydraulics - Tilt Cylinder	51

## I

Index - numerical	89
Instruments and Wiring	43

## L

Lamps - Head	43
Lever - Accessory Control	21-25,55-55
Levers - Fork Lift Control	15
Linkage - Brakes	37
Linkage - Clutch	39
Linkage - Foot Throttle	37-39
Linkage - Shuttle	39

## M

Mast and Related Parts (Standard 10' 6")	9
Mast and Related Parts (Heavy Duty 12')	17
Mast and Related Parts (Standard 14' 3")	11
Mast and Related Parts (Heavy Duty 17' 3")	19
Mast and Related Parts (Standard 21' 6")	13-15

## N

Numerical Index	89
-----------------	----

## P

Pedals - Foot	37-39
Pump - Drive	45
Pump - Hydraulic	41, 53

## S

Seat - Fork Lift, Operator's	31
Shuttle - Lever, Control	35
Shuttle Linkage	39
Side Shifter (Standard 10' 6" and 14' 3" Masts)	21
Side Shifter (Standard 21' 6" Mast)	23
Steering - Hydraulics	41
Subframe - Fork Lift	5

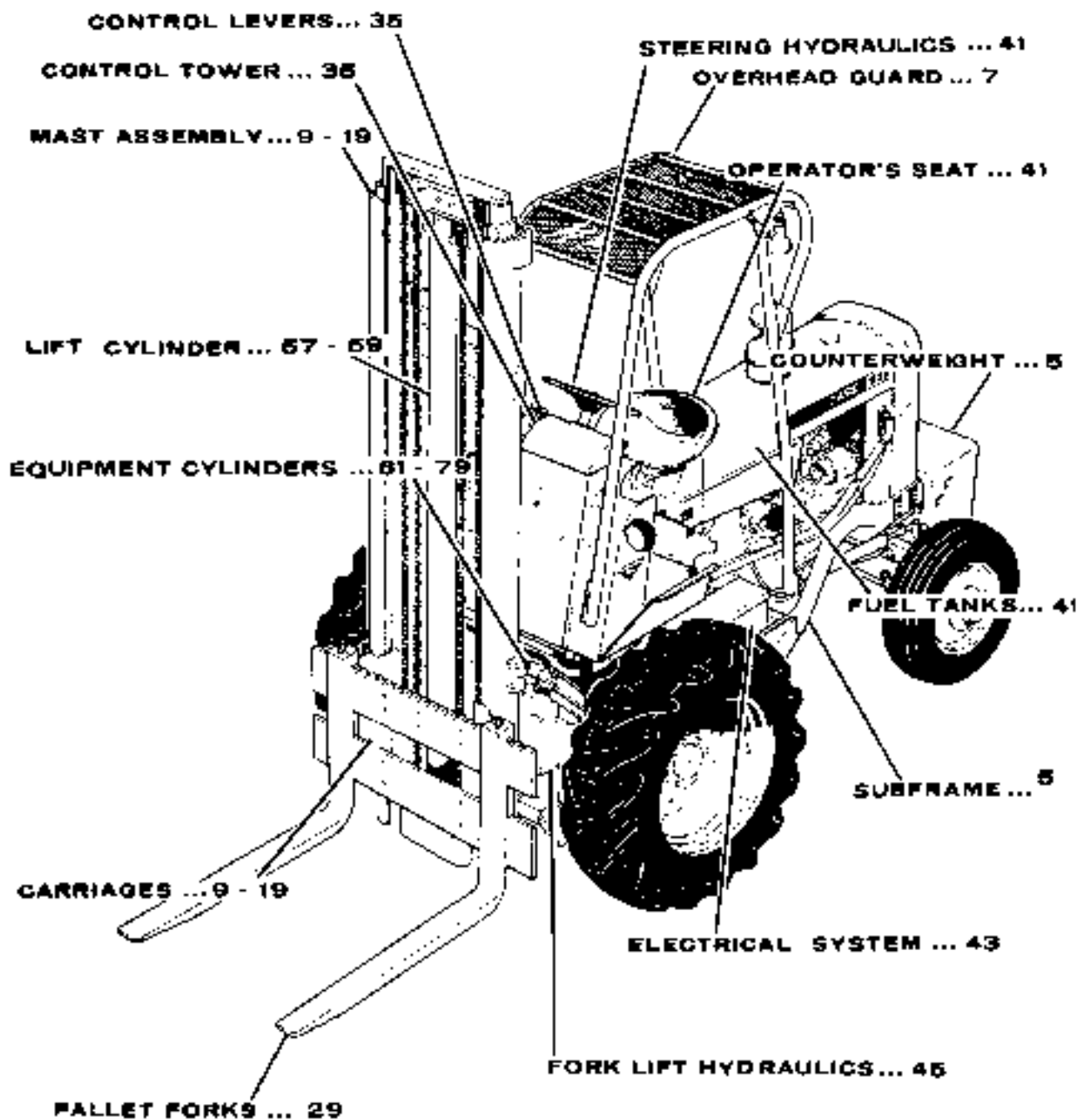
## T

Tanks - Fuel	41
Tool Box	37
Tower - Control	35
Truss Rod Parts	7

## V

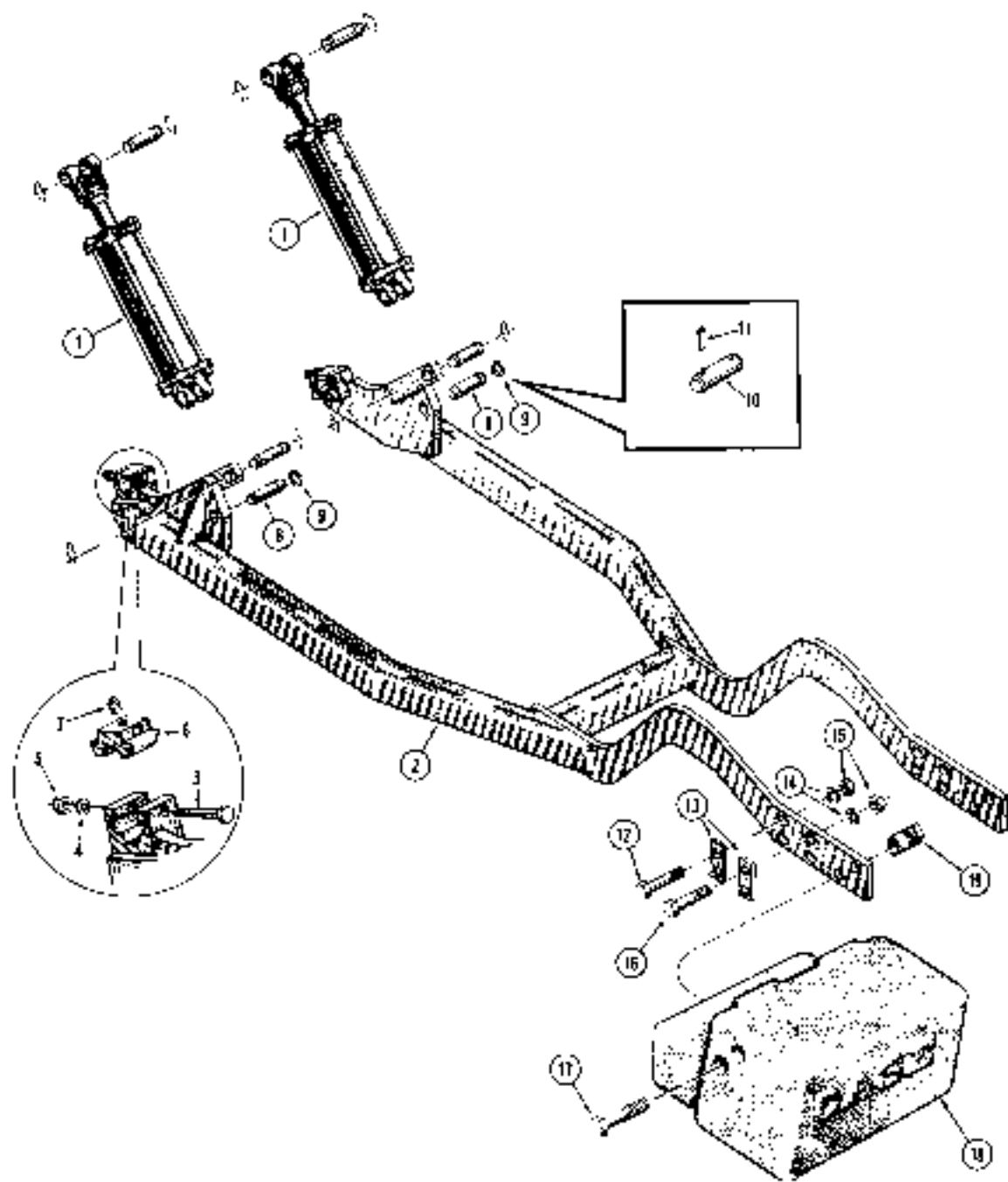
Valve - Hydraulic Control	50-57
---------------------------	-------

PICTORIAL INDEX



For Models With Hydraulically Operated Attachments See Pages 21, 23, 25, TOP OF 33, 53 AND 55.

For Models With Mechanically Operated Attachments See Pages 29, 31 AND BOTTOM OF 33.

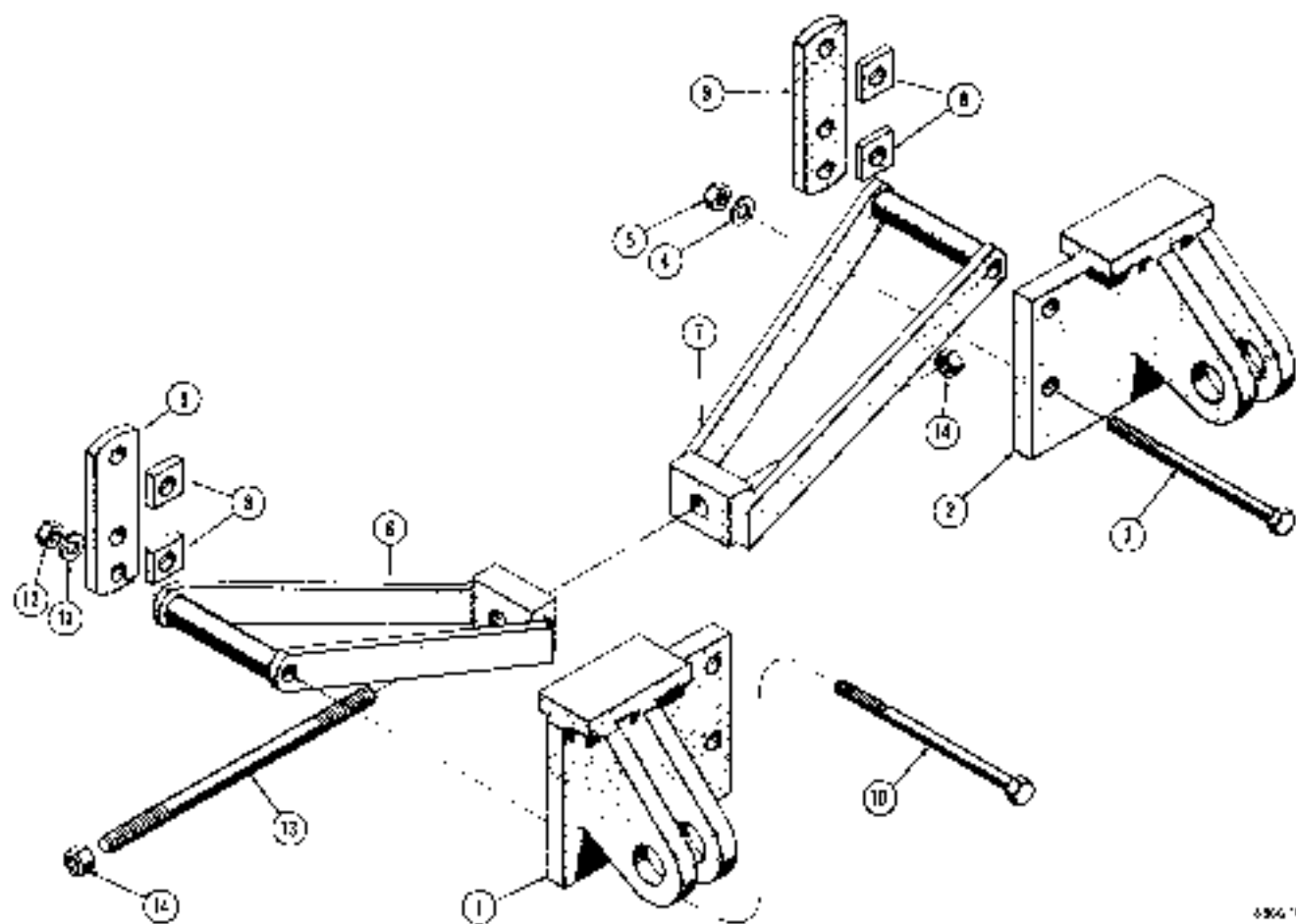


**SUBFRAME AND RELATED PARTS**

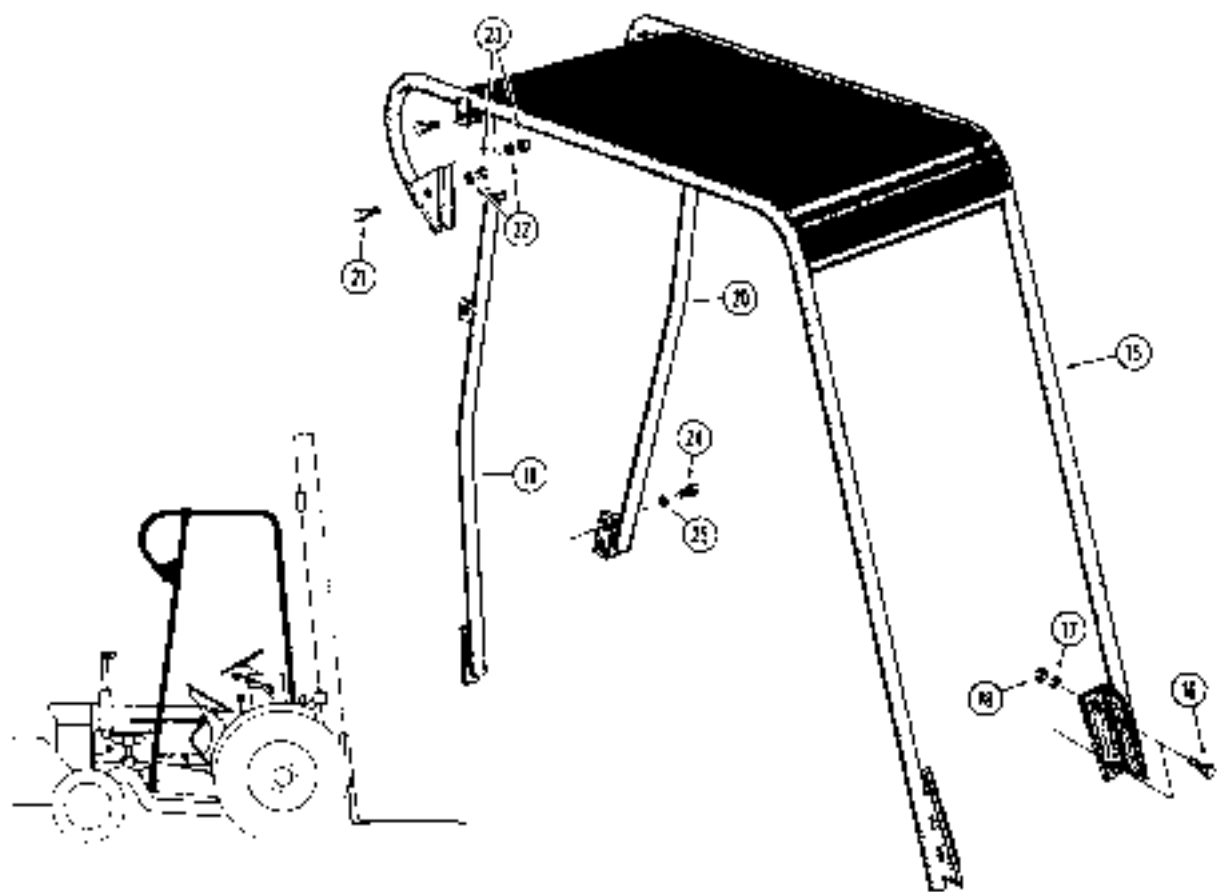
REF.	PART NO.	DESCRIPTION	REQ'D.
1	*D 24080	CYLINDER - hydraulic, tilt (3" I.D. x 6" stroke) Early pro- duction 21' 6" (Parts list page 61) . . . . .	2
	*D 39464	CYLINDER - hydraulic, tilt (3" I.D. x 8" stroke) Late pro- duction 21' 6" mast (Parts list page 71) . . . . .	2
	*D 27002	CYLINDER - hydraulic, tilt (3-1/2" I.D. x 10" stroke) Early production 10' 6", 12' and 14' 3" masts (Parts list page 65) 2	2
	*D 39465	CYLINDER - hydraulic, tilt (3-1/2" I.D. x 10" stroke) Late production 10' 6", 12' and 14' 3" masts (Parts list page 73) 2	2
2	D 33159	SUBFRAME - fork lift (Diesel models) . . . . .	1
	D 33157	SUBFRAME - fork lift (Gasoline models) . . . . .	1
3	13- 668	HHCS - 3/8" - 16 NC x 4-1/8" . . . . .	2
4	92- 6	WASHER - med. sect. lock (3/8") . . . . .	2
5	25- 106	NUT - hex. (3/8" - 16 NC) . . . . .	2
6	D 33173	WEDGE - trunnion, early production (When stock is exhausted use D38366 trunnion wedge) . . . . .	2
	D 38366	WEDGE - trunnion, late production . . . . .	2
7	219- 13	FITTING - grease, straight (3/16" drive) . . . . .	2
8	D 24147	PIN - mounting, subframe (Early production) When stock is exhausted use (1) D34430 mounting pin and (2) 138-142 . . . . .	2
9	D 24148	RING - retaining, early production (Use with D24147 mounting pin) . . . . .	4
10	D 34430	PIN - mounting, subframe (Late production) . . . . .	2
11	138- 142	PIN - roll, 1/4" dia. x 2" (Use with D34430 mounting pin) . . . . .	4
12	13- 1048	HHCS - 5/8" - 11 NC x 3" (Early production) . . . . .	4
	13- 1036	HHCS - 5/8" - 11 NC x 2-1/4" (Late production) . . . . .	4
13	D 33174	PLATE - spacer . . . . .	4
14	92- 10	WASHER - med. sect. lock (5/8") . . . . .	8
15	25- 1010	NUT - hex. (5/8" - 11 NC) . . . . .	8
16	13- 1048	HHCS - 5/8" - 11 NC x 3" . . . . .	4
17	13- 1256	HHCS - 3/4" - 10 NC x 3-1/2" . . . . .	4
18	D 32681	COUNTERWEIGHT - rear, 2200 lbs. . . . .	1
19	D 33292	PLATE - bolt mounting . . . . .	2

\*NOTE: EARLY PRODUCTION Fork Lifts can be identified by their tapered pipe thread type fittings at hydraulic control valve and cylinder ports.  
LATE PRODUCTION Fork Lifts can be identified by their "O" ring type fittings at hydraulic control valve and cylinder ports.





3966 11



105144

**TRUSS ROD PARTS**

REF.	PART NO.	DESCRIPTION	REQ'D
1	D 29629	BRACKET - subframe to axle housing, R.H.	1
2	D 29630	BRACKET - subframe to axle housing, L.H.	1
3	13- 10128	HHCS - 5/8" - 11 NC x 8"	8
4	92- 10	WASHER - med. sect. lock (5/8")	8
5	25- 1010	NUT - hex. (5/8" - 11 NC)	8
6	D 29552	BRACKET - truss rod, R.H.	1
7	D 29553	BRACKET - truss rod, L.H.	1
8	D 24059	SPACER - bolt	4
9	D 29556	BRACKET - truss rod mounting	2
10	13- 10136	HHCS - 5/8" - 11 NC x 8-1/2"	2
11	92- 10	WASHER - med. sect. lock (5/8")	2
12	25- 1010	NUT - hex. (5/8" - 11 NC)	2
13	D 29555	ID) - truss	1
14	131- 357	NUT - hex., lock (3/4" - 10 NC)	2

**OVERHEAD GUARD**

REF.	PART NO.	DESCRIPTION	REQ'D
15	D 24132	GUARD - overhead	1
16	13- 820	HHCS - 1/2" - 13 NC x 1-1/4"	4
17	92- 8	WASHER - med. sect. lock (1/2")	4
18	25- 108	NUT - hex. (1/2" - 13 NC)	4
19	D 33172	SUPPORT - overhead guard, R.H.	1
20	D 33171	SUPPORT - overhead guard, L.H.	1
21	13- 852	HHCS - 1/2" - 13 NC x 3-1/4"	4
22	92- 8	WASHER - med. sect. lock (1/2")	4
23	25- 108	NUT - hex. (1/2" - 13 NC)	4
24	13- 1024	HHCS - 5/8" - 11 NC x 1-1/2"	4
25	92- 10	WASHER - mod. sect. lock (5/8")	4



MAST AND RELATED PARTS  
STANDARD 10' 6" MAST

REF.	PART NO.	DESCRIPTION	REQ'D.
	D 32275	MAST - complete, standard (10' 6")	1
1	D 32573	CHANNEL - outer	1
2	D 32556	PLATE - wear, brass (1/8" x 1-1/4" x 5")	2
3	D 27366	PLATE - wear, brass (1/8" x 1-1/4" x 7")	4
4	D 41505	PLATE - wear, brass (3/16" x 1/2" x 4-1/2")	2
5	138- 136	PIN - roll, 1/4" dia. x 1-1/4"	1
6	D 24173	CYLINDER - lift (3-1/2" I.D. x 63" stroke) Parts list page 57	1
7	62- 824	SCREW - hex. socket head (1/2" - 20 NF x 1-1/2")	2
8	92- 8	WASHER - med. sect. lock (1/2")	2
9	D 24330	CHANNEL - inner	1
10	60972	PLATE - wear, brass (1/8" x 1-1/4" x 11")	6
11	25- 118	NUT - hex. (1/2" - 20 NF)	4
12	60948	BOLT - eye, chain anchor	2
13	D 26196	BUSHING - eye bolt	1
14	D 32583	LINK - connecting, lift chain	4
15	132- 25	PIN - cotter, 3/32" dia. x 5/8"	2
16	D 32586	CHAIN - lift, rollerless	2
17	219- 53	FITTING - grease, 67-1/2° (3/16" drive)	2
18	132- 99	PIN - cotter, 3/16" dia. x 2"	2
19	60939	PIN - guide wheel	2
20	60944	WASHER - thrust	4
21	D 32588	WHEEL - chain guide	2
22	D 24324	PLATE - backing, upper (See page 21 Ref. No. 42 for backing plate used with side shifter)	1
23	138- 90	PIN - roll, 7/16" dia. x 2"	2
24	D 24325	PLATE - backing, lower (See page 21 Ref. No. 45 for backing plate used with side shifter)	1
25	61- 820	SCREW - hex. socket head (1/2" - 13 NC x 1-1/4") Use with D28944 and D28945 carriages only	8
26	61- 828	SCREW - hex. socket head (1/2" - 13 NC x 1-3/4")	8-16
27	25- 148	NUT - hex., jam (1/2" - 13 NC)	16
28	*D 28944	CARRIAGE ASSEMBLY - R.H. (Used before mast S/N 5867)	1
	*D 28945	CARRIAGE ASSEMBLY - L.R. (Used before mast S/N 5867)	1
29	D 28943	PLATE - wear, carriage	2
30	D 26196	BUSHING - chain anchor	1
31	*E 39703	CARRIAGE ASSEMBLY - R.H. (Mast S/N 5867 and after)	1
32	D 41503	WEAR BLOCK - carriage	2
33	E 26196	BUSHING - chain anchor	1
34	*D 39704	CARRIAGE ASSEMBLY - L.H. (Mast S/N 5867 and after)	1
35	D 41503	WEAR BLOCK - carriage	2
36	D 26196	BUSHING - chain anchor	1
	D 36811	AXLE KIT - load roller (Used in D28944 and D28945 carriages only)	4
	D 39699	AXLE KIT - load roller (Used in D39703 and D39704 carriages only)	4
37	219- 13	FITTING - grease, straight (3/16" drive)	1
38	D 39477	NUT - special	1
39	193- 14	WASHER - lock, Shakeproof (5/8") D36811 kit only	1
40	A 18414	SEAL - "O" ring (D36811 kit only)	1
41	NSS	AXLE - load roller	1
42	60916	WASHER - spacer	4
43	60915	ROLLER - load	4
44	60917	WASHER - thrust	4
45	138- 65	PIN - roll, 1/8" dia. x 1-1/2" (Used on D39703 and D39704 carriages only)	4

\*NOTE: Carriages must be aligned and drilled at time of installation.  
SERVICE OPTION: To replace D28944 R.H. and D28945 L.R. carriages with new style order (1) D39703, (1) D39704, (4) 60917, (4) 60915, (4) 60916, (4) 138-65, (4) D39699 and (8) 61-828.



MAST AND RELATED PARTS  
STANDARD 14' 3" MAST

REF.	PART NO.	DESCRIPTION	REQ'D.
	D 32276	MAST - complete, standard (14' 3")	1
1	D 32574	CHANNEL - outer	1
2	60972	PLATE - wear, brass (1/8" x 1-1/4" x 11")	6
3	D 41505	PLATE - wear, brass (3/16" x 1/2" x 4-1/2")	2
4	138- 136	PIN - roll, 1/4" dia. x 1-1/4"	1
5	60969	CYLINDER - hydraulic, lift (3-1/2" I.D. x 85-1/2" stroke) Parts list page 59	1
6	62- 824	SCREW - hex. socket head (1/2" - 20 NF x 1-1/2")	2
7	92- 8	WASHER - med. sect. lock (1/2")	2
8	60958	CHANNEL - inner	1
9	60972	PLATE - wear, brass (1/8" x 1-1/4" x 11")	6
10	25- 118	NUT - hex. (1/2" - 20 NF)	4
11	60948	BOLT - eye, chain anchor	2
12	D 26196	BUSHING - eye bolt	1
13	D 32583	LINK - connecting	4
14	132- 25	PIN - cotter, 3/32" dia. x 5/8"	2
15	D 32587	CHAIN - lift, rollerless	2
16	219- 59	FITTING - grease, 67-1/2° (3/16" drive)	2
17	132- 99	PIN - cotter, 3/16" dia. x 2"	2
18	60939	PIN - guide wheel	2
19	60944	WASHER - thrust	4
20	D 32588	WHEEL - chain guide	2
21	D 24234	PLATE - backing, upper (See page 21 Ref. No. 42 for backing plate used with side shifter)	1
22	138- 190	PIN - roll, 7/16" dia. x 2"	2
23	D 24325	PLATE - backing, lower (See page 21 Ref. No. 45 for backing plate used with side shifter)	1
24	61- 820	SCREW - hex. socket head (1/2" - 13 NC x 1-1/4") Use with D28944 and D28945 carriages only	8
25	61- 828	SCREW - hex. socket head (1/2" - 13 NC x 1-3/4")	8-16
26	25- 148	NUT - hex., jam (1/2" - 13 NC)	16
27	*D 28944	CARRIAGE ASSEMBLY - R.H. (Used before mast S/N 5867)	1
	*D 28945	CARRIAGE ASSEMBLY - L.H. (Used before mast S/N 5867)	1
28	D 28943	PLATE - wear, carriage	2
29	D 26196	BUSHING - chain anchor	1
30	*D 39703	CARRIAGE ASSEMBLY - R.H. (Mast S/N 5867 and after)	1
31	D 41503	WEAR BLOCK - carriage	2
32	D 26196	BUSHING - chain anchor	1
33	*D 39704	CARRIAGE ASSEMBLY - L.H. (Mast S/N 5867 and after)	1
34	D 41503	WEAR BLOCK - carriage	2
35	D 26196	BUSHING - chain anchor	1
	D 36811	AXLE KIT - load roller (Used in D28944 and D28945 carriages only)	4
	D 39699	AXLE KIT - load roller (Used in D39703 and D39704 carriages only)	4
36	219- 13	FITTING - grease, straight (3/16" drive)	1
37	D 39477	NUT - special	1
38	193- 14	WASHER - lock, Shakeproof (5/8") D36811 kit only	1
39	A 18414	SEAL - "O" ring (D36811 kit only)	1
40	NSS	AXLE - load roller	1
41	60916	WASHER - spacer	4
42	60915	ROLLER - load	4
43	60917	WASHER - thrust	4
44	138- 65	PIN - roll, 1/8" dia. x 1-1/2" (Used on D39703 and D39704 carriages only)	4

\*NOTE: Carriages must be aligned and drilled at time of installation.

SERVICE OPTION: To replace D28944 R.H. and D28945 L.H. carriages with new style order (1) D39703, (1) D39704, (4) 60917, (4) 60915, (4) 60916, (4) 138-65, (4) D39699 and (8) 61-828.



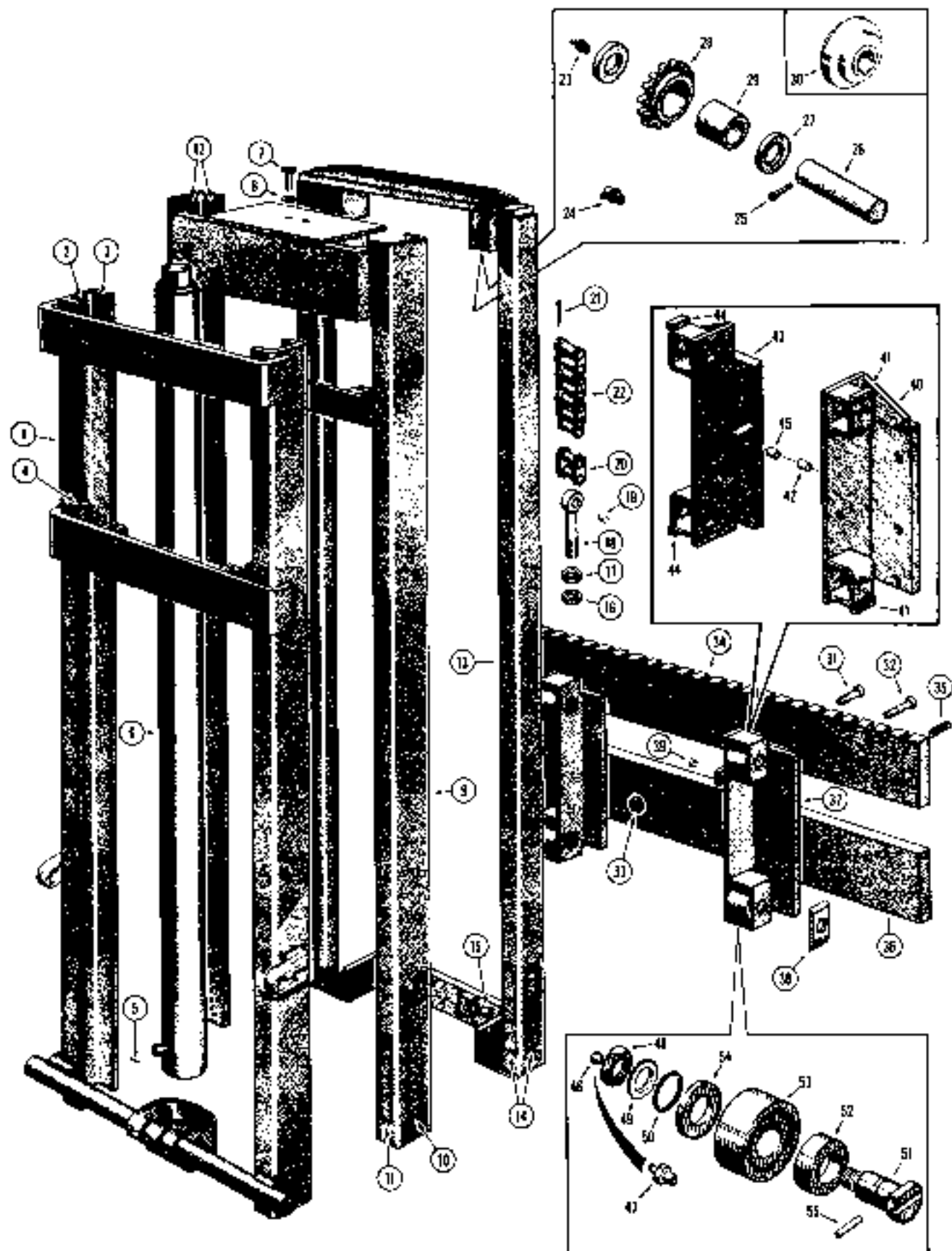
MAST AND RELATED PARTS  
STANDARD 21' 6" MAST

REF.	PART NO.	DESCRIPTION	REQ'D.
	D 24238	MAST - complete, standard (21' 6")	1
1	D 24333	CHANNEL - outer	1
2	D 27364	PLATE - wear, brass (1/8" x 1-1/4" x 6")	2
3	D 27363	PLATE - wear, brass (3/16" x 1-1/4" x 6")	4
4	D 41505	PLATE - wear, brass (3/16" x 1/2" x 4-1/2")	2
5	138- 136	PIN - roll, 1/4" dia. x 1-1/4"	1
6	D 24175	CYLINDER - hydraulic, lift (4-3/4" I.D. x 65-1/2" stroke) Parts list page 59	1
7	62- 824	SCREW - hex. socket head (1/2" - 20 NF x 1-1/2")	2
8	92- 8	WASHER - med. sect. lock (1/2")	2
9	D 24334	CHANNEL - center	1
10	D 27362	PLATE - wear, brass (1/8" x 1-1/4" x 10")	2
11	D 27365	PLATE - wear, brass (3/16" x 1-1/4" x 10")	4
12	D 27364	PLATE - wear, brass (1/8" x 1-1/4" x 6")	6
13	D 24335	CHANNEL - inner	1
14	D 27362	PLATE - wear, brass (1/8" x 1-1/4" x 10")	8
15	D 26196	BUSHING - chain anchor	2
16	25- 1512	NUT - hex., jam (3/4" - 16 NF)	4
17	25- 1112	NUT - hex. (3/4" - 16 NF)	4
18	D 26200	BOLT - eye, chain anchor	4
19	D 26196	BUSHING - eye bolt, chain anchor	1
20	D 32583	LINK - connecting	8
21	132- 25	PIN - cotter, 3/32" dia. x 5/8"	2
22	D 26201	CHAIN - lift, roller (Outer channel to inner channel) Used before mast S/N 3473 (121 links)	2
	D 26199	CHAIN - lift, roller (Center channel to carriage) Used before Mast S/N 3473 (113 links)	2
	D 24870	LINK - chain, roller (#80 chain)	1
	D 34447	CHAIN - lift, rollerless (Outer channel to inner channel) Mast S/N 3473 and after (121 links)	2
	D 34446	CHAIN - lift, rollerless (Center channel to carriage) Mast S/N 3473 and after (113 links)	2
23	219- 8	FITTING - grease, straight (1/4" NPT) if used	2-4
24	219- 57	FITTING - grease, 90° (1/4" NPT) if used	2-4
	219- 53	FITTING - grease, 67-1/2° (3/16" drive) if used	4
25	132- 99	PIN - cotter, 3/16" dia. x 2"	4
26	60939	PIN - guide wheel	4
27	60944	WASHER - thrust	8
28	60942	WHEEL - sprocket, chain guide (Used before mast S/N 3473)	4
29	60943	BEARING - sprocket (Used with 60942 sprocket)	4
30	D 32586	WHEEL - chain guide (Mast S/N 3473 and after)	4
31	61- 820	SCREW - hex. socket head (1/2" - 13 NC x 1-1/4") Use with D28946 and D28947 carriages only	8
32	61- 828	SCREW - hex. socket head (1/2" - 13 NC x 1-3/4")	8-16
33	25- 148	NUT - hex., jam (1/2" - 13 NC)	16
34	D 24324	PLATE - backing, upper (See page 23 Ref. No. 40 for backing plate used with side shifter)	1
35	138- 190	PIN - roll, 7/16" dia. x 2"	2
36	D 24325	PLATE - backing, lower (See page 23 Ref. No. 43 for backing plate used with side shifter)	1
37	*D 28946	CARRIAGE ASSEMBLY - R.H. (Used before mast S/N 5815)	1

\*NOTE: Carriages must be aligned and drilled at time of installation

(Cont on next page)



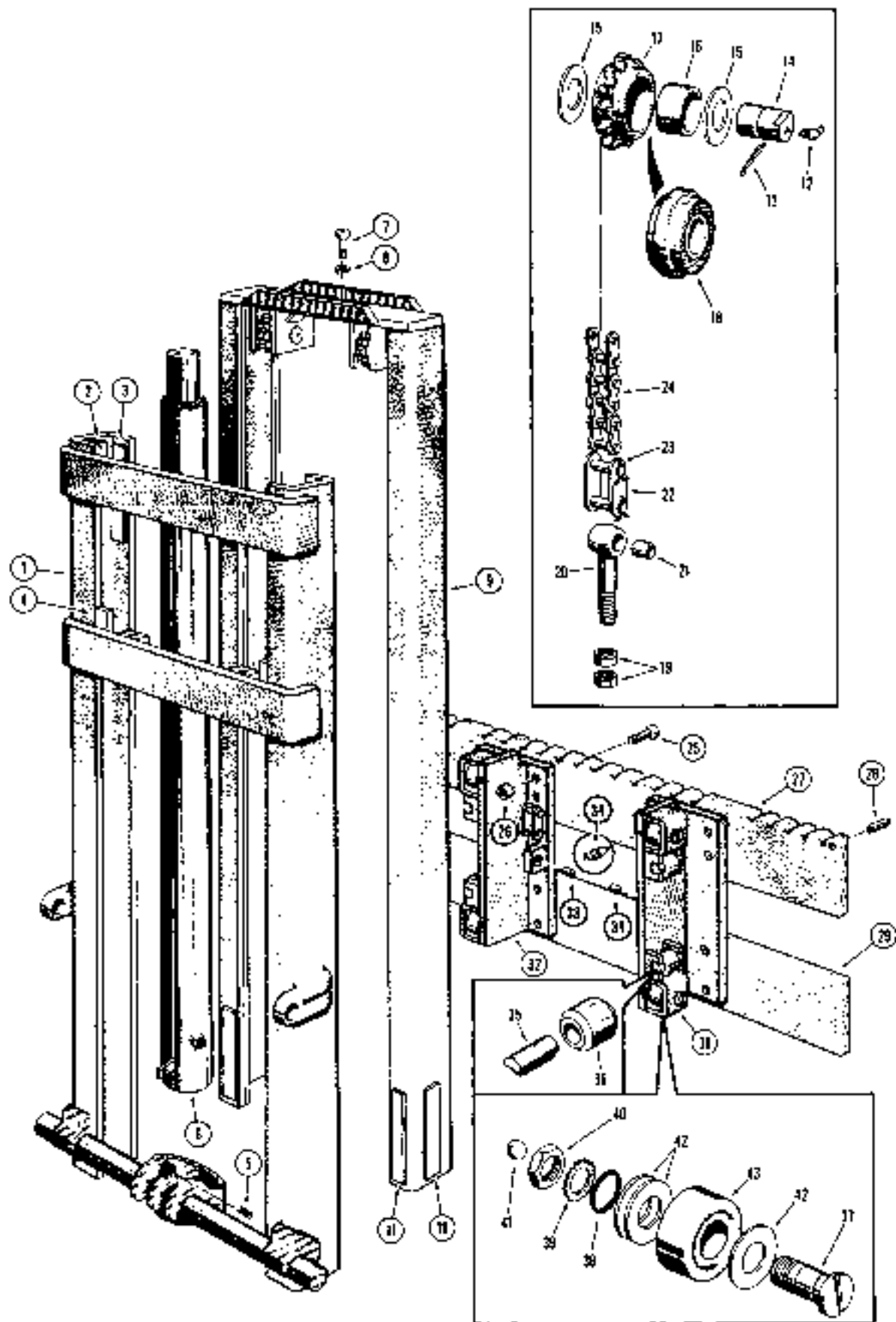


**MODEL 530 CONSTRUCTION KING FORK LIFT 15**

**MAST AND RELATED PARTS  
STANDARD 21' 6" MAST**

REF.	PART NO.	DESCRIPTION	REQ'D.
*D	28947	CARRIAGE ASSEMBLY - L.H. (Used before mast S/N 5815)	1
38 D	28943	PLATE - wear, carriage	2
39 D	26196	BUSHING - chain anchor	1
40 *D	39697	CARRIAGE ASSEMBLY - R.H. (Mast S/N 5815 and after)	1
41 D	41503	WEAR BLOCK - carriage	2
42 D	26196	BUSHING - chain anchor	1
43 *D	39698	CARRIAGE ASSEMBLY - L.H. (Mast S/N 5815 and after)	1
44 D	41503	WEAR BLOCK - carriage	2
45 D	26196	BUSHING - chain anchor	1
	D 36811	AXLE KIT - load roller (Used in D28946 and D28947 carriages)	4
	D 39699	AXLE KIT - load roller (Used in D39697 and D39698 carriages)	4
46	211- 5	BALL - steel, 3/16" dia.	1
47	219- 13	FITTING - grease, straight (3/16" drive)	1
48 D	39477	NUT - special	1
49	193- 14	WASHER - lock, Shakeproof (5/8") D36811 kit only	1
50 A	18414	SEAL - "O" ring (D36811 kit only)	1
51	NSS	AXLE - load roller	1
52	60916	WASHER - spacer	4
53	60915	ROLLER - load	4
54	60917	WASHER - thrust	4
55	138- 65	PIN - roll, 1.8" dia. x 1-1/2" (Used on D39697 and D39698 carriages only)	4

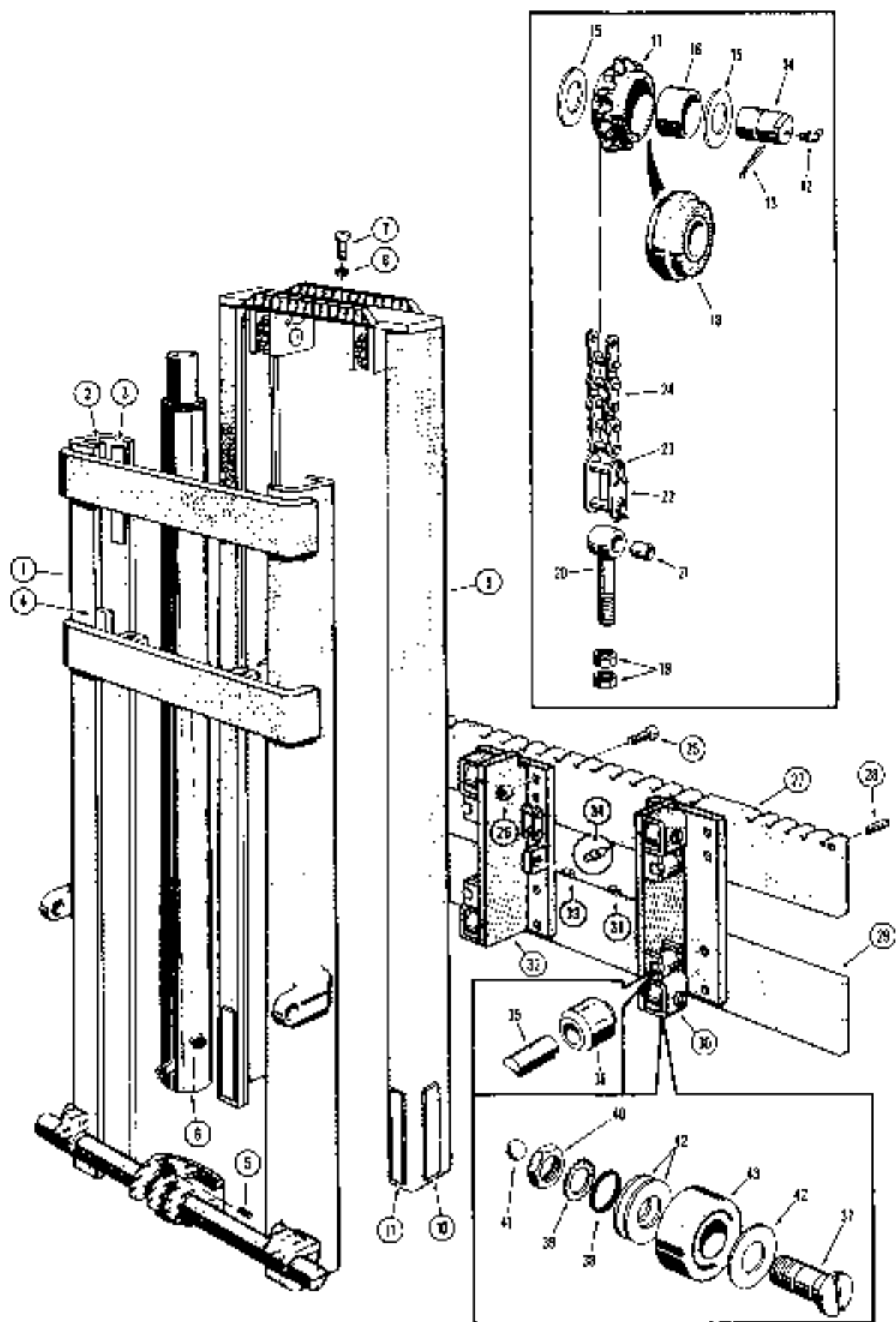
\*NOTE: Carriages must be aligned and drilled at time of installation.  
 SERVICE OPTION: To replace D28946 R.H. and D28947 L.H. carriages with new style order (1) D39697, (1) D39698, (4) 60917, (4) 60915, (4) 60916, (4) D39699 and (4) 138-65.



MAST AND RELATED PARTS  
HEAVY DUTY 12' MAST

REF.	PART NO.	DESCRIPTION	REQ'D.
	D 34546	MAST - complete, 12' heavy duty	1
1	D 36567	CHANNEL - outer	1
2	D 32555	PLATE - wear, brass (1/8" x 1-1/4" x 5")	2
3	D 27365	PLATE - wear, brass (3/16" x 1-1/4" x 10")	4
4	D 41505	PLATE - wear, brass (3/16" x 1/2" x 4-1/2")	2
5	138- 136	PIN - roll, 1/4" dia. x 1-1/4"	1
6	D 36571	CYLINDER - hydraulic, lift (3-1/2" L.D. x 72" stroke) Parts list page 57	1
7	62- 824	SCREW - hex, socket head (1/2" - 20 NF x 1-1/2")	2
8	92- 8	WASHER - med. sect. lock (1/2")	2
9	D 36569	CHANNEL ASSEMBLY - inner (Used before mast S/N 5556) Also include stems 12 thru 17	1
	D 39480	CHANNEL - inner (Used on mast S/N 5556 and after)	1
10	E 27362	PLATE - wear, brass (1/8" x 1-1/4" x 10")	2
11	D 27365	PLATE - wear, brass (3/16" x 1-1/4" x 10")	4
12	219- 53	FITTING - grease, 67-1/2" (3/16" drive)	2
13	132- 102	PIN - cotter, 3/16" dia. x 2-1/2"	2
14	D 36584	PIN - sprocket wheel	2
15	D 36582	WASHER - thrust	4
16	D 36585	BEARING - sprocket wheel (Used before mast S/N 5556)	2
17	D 36583	WHEEL - sprocket, chain guide (Used before mast S/N 5556)	2
18	D 39482	WHEEL - chain guide (Used on mast S/N 5556 and after)	2
19	25- 1118	NUT - hex. (1" - 14 NF)	4
20	D 36575	BOLT - eye, chain anchor	2
21	D 39476	BUSHING - eye bolt	1
22	D 36579	LINK - connecting	4
23	132- 45	PIN - cotter, 1/8" dia. x 5/8"	2
24	D 36577	CHAIN - lift, roller (Used before mast S/N 5556)	2
	D 39483	CHAIN - lift, rollerless (Used on mast S/N 5556 and after)	2
25	51- 828	SCREW - hex, socket head (1/2" - 13 NC x 1-3/4")	16
26	25- 148	NUT - hex., jam (1/2" - 13 NC)	16
27	D 36580	PLATE - backing, upper	1
28	138- 190	PIN - roll, 7/16" dia. x 2"	2
29	D 36581	PLATE - backing, lower	1
30	*D 36587	CARRIAGE ASSEMBLY - R.H.	1
31	D 39476	BUSHING - chain anchor	1
32	*D 36588	CARRIAGE ASSEMBLY - L.H.	1
33	D 39476	BUSHING - chain anchor	1
34	219- 13	FITTING - grease, straight (3/16" drive)	4
35	D 36589	PIN - side roller	4
36	D 36590	ROLLER - side	4
	D 36591	AXLE KIT - load roller	4
37	NSS	AXLE - load roller	1
38	A 7982	SEAL - "O"ring	1
39	193- 15	WASHER - lock, external Shakeproof (3/4")	1
40	D 39470	NUT - hex., jam (3/4" - 16 NF)	1
41	NSS	BALL - steel, 3/16" dia.	1
42	D 36592	WASHER - thrust	12
43	D 36583	ROLLER - load	4

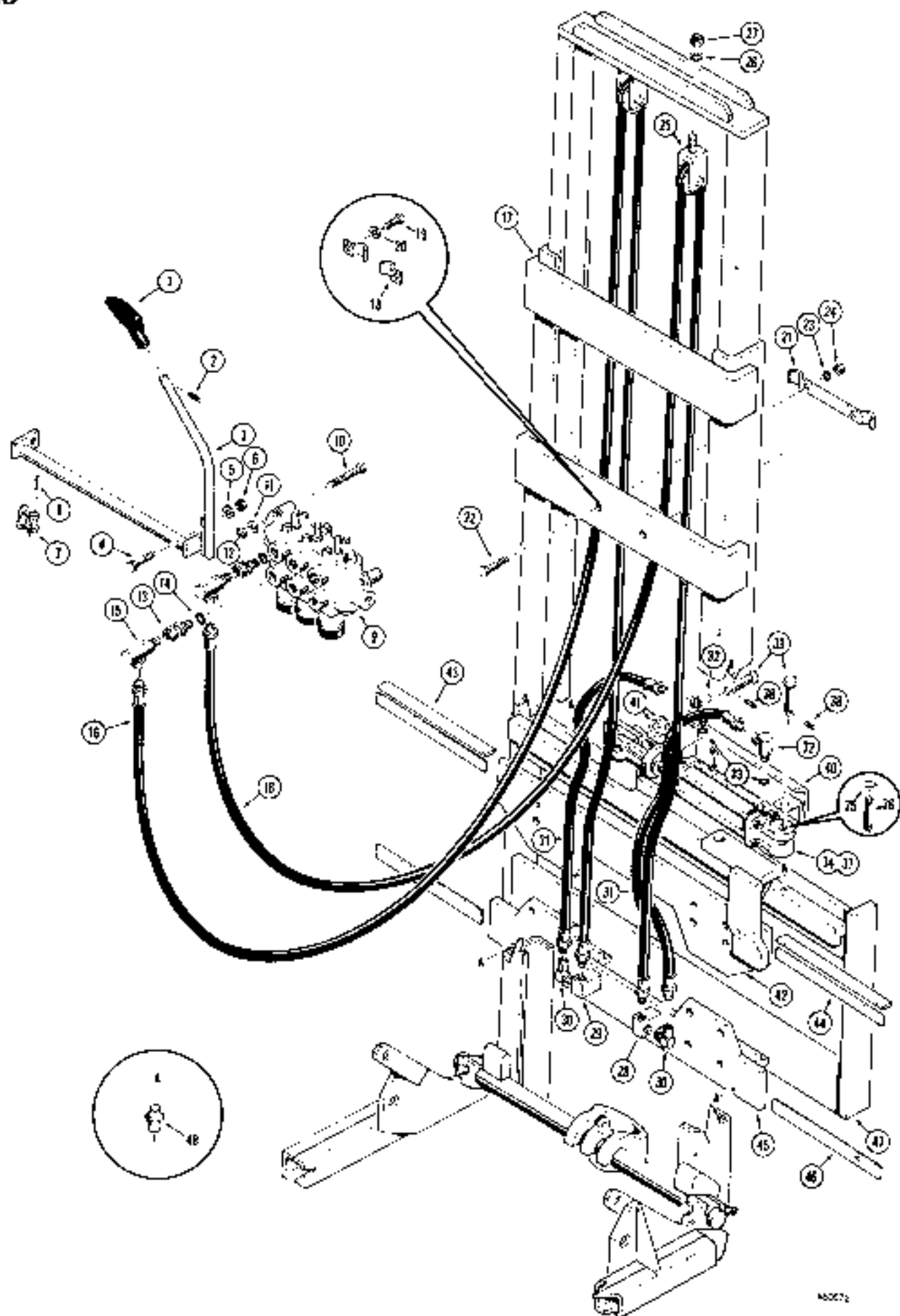
\*NOTE: Carriages must be aligned and drilled at time of installation.



MAST AND RELATED PARTS  
HEAVY DUTY 14' 3" MAST

REF.	PART NO.	DESCRIPTION	REQ'D.
	D 34547	MAST - complete, 14' 3" heavy duty	1
1	D 36588	CHANNEL - outer	1
2	D 32555	PLATE - wear, brass (1/8" x 1-1/4" x 5")	2
3	D 27365	PLATE - wear, brass (3/16" x 1-1/4" x 10")	4
4	D 41505	PLATE - wear, brass (3/16" x 1/2" x 4-1/2")	2
5	138- 136	PIN - roll, 1/4" dia. x 1-1/4"	1
6	60969	CYLINDER - hydraulic, lift (3-1/2" I.D. x 85-1/2" stroke) Parts list page 59	1
7	62- 824	SCREW - hex. socket head (1/2" - 20 NF x 1-1/4")	2
8	92- 8	WASHER - med. sect. lock (1/2")	2
9	D 36570	CHANNEL ASSEMBLY - inner (Used before mast S/N 5556) Also includes items 12 thru 17	
	D 39481	CHANNEL - inner (Used on mast S/N 5556 and after)	1
10	60972	PLATE - wear, brass (1/8" x 1-1/4" x 11")	2
11	D 36586	PLATE - wear, brass (3/16" x 1-1/4" x 11")	4
12	219- 53	FITTING - grease, 67-1/2' (3/16" drive)	2
13	132- 102	PIN - cotter, 3/16" dia. x 2-1/2"	2
14	D 36584	PIN - sprocket wheel	2
15	D 36582	WASHER - thrust	4
16	D 36585	BEARING - sprocket wheel (Used before mast S/N 5556)	2
17	D 36583	WHEEL - sprocket, chain guide (Used before mast S/N 5556)	2
18	D 39482	WHEEL - chain guide (Used on mast S/N 5556 and after)	2
19	25- 1116	NUT - hex. (1" - 14 NF)	4
20	D 36575	BOLT - eye, chain anchor	2
21	D 39476	BUSHING - eye bolt	1
22	D 36579	LINK - connecting	4
23	132- 45	PIN - cotter, 1/8" dia. x 5/8"	1
24	D 36578	CHAIN - lift, roller (Used before mast S/N 5556)	2
	D 39484	CHAIN - lift, roller (Used on mast S/N 5556 and after)	2
25	61- 828	SCREW - hex. socket head (1/2" - 13 NC x 1-3/4")	16
26	25- 148	NUT - hex. jam (1/2" - 13 NC)	16
27	D 36580	PLATE - backing, upper	1
28	138- 190	PIN - roll, 7/16" dia. x 2"	2
29	D 36581	PLATE - backing, lower	1
30	*D 36587	CARRIAGE ASSEMBLY - R.H.	1
31	D 39476	BUSHING - chain anchor	1
32	*D 36588	CARRIAGE ASSEMBLY - L.H.	1
33	D 39476	BUSHING - chain anchor	1
34	219- 13	FITTING - grease, straight (3/16" drive)	4
35	D 36589	PIN - side roller	4
36	O 36590	ROLLER - side	4
	D 36591	AXLE KIT - load roller	4
37	NSS	AXLE - load roller	1
38	A 7982	SEAL - "O" ring	1
39	198- 15	WASHER - lock, external Shakeproof (3/4")	1
40	D 39470	NUT - hex., jam (3/4" - 16 NF)	1
41	NSS	BALL - steel, 3/16" dia.	1
42	D 36592	WASHER - thrust	12
43	D 36593	ROLLER - load	4

\*NOTE: Carriages must be aligned and drilled at time of installation.

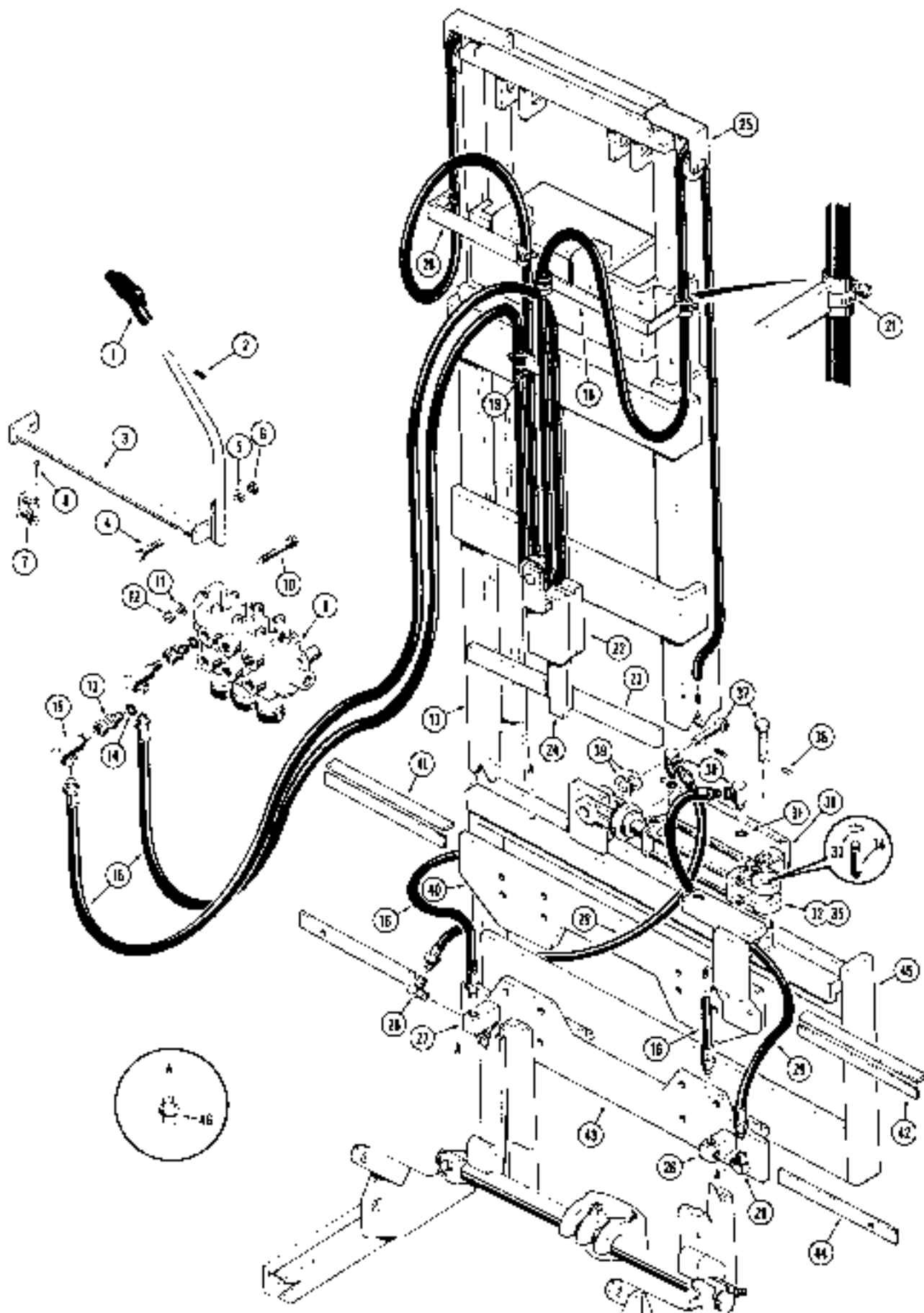


**SIDE SHIFTER AND HYDRAULICS  
STANDARD 10' 6" AND 14' 3" MASTS**

REF.	PART NO.	DESCRIPTION	REQ'D.
	D 24288	LEVER ASSEMBLY - side shift control . . . . .	1
1	D 24184	KNOB - lever . . . . .	1
2	138- 57	PIN - roll, 1/8" dia. x 3/4" . . . . .	1
3	NSS	LEVER - control . . . . .	1
4	13- 632	HHCS - 3/8" - 16 NC x 2" . . . . .	2
5	92- 6	WASHER - med. sect. lock (3/8") . . . . .	2
6	25- 106	NUT - hex. (3/8" - 16 NC) . . . . .	2
7	D 24140	LINK - connecting . . . . .	1
8	132- 6	PIN - cotter, 1/16" dia. x 5/8" . . . . .	2
9	*D 28968	VALVE - hyd., control (Early production) Parts list page 85	1
	*D 39472	VALVE - hyd., control (Late production) Parts list page 87	1
10	13- 636	HHCS - 3/8" - 16 NC x 2-1/4" . . . . .	3
11	92- 6	WASHER - med. sect. lock (3/8") . . . . .	3
12	25- 106	NUT - hex. (3/8" - 16 NC) . . . . .	3
13	D 39479	ADAPTER - straight, male (Late production only) . . . . .	2
14	218- 5007	SEAL - "O"ring . . . . .	1
15	D 24170	ADAPTER - 90°, swivel . . . . .	2
16	D 25231	HOSE - hydraulic, control valve to side shift cylinder (176" long) Used on standard 10' 6" mast only . . . . .	2
	D 25232	HOSE - hydraulic, control valve to side shift cylinder (216" long) Used on standard 14' 3" mast only . . . . .	2
17	REF.	MAST ASSEMBLY - std. (See pages 9 and 11 for options) . . . . .	1
18	D 24262	CLAMP - hose (Early production) . . . . .	2
19	61- 415	SCREW - hex. socket head (1/4" - 20 NC x 1") . . . . .	2
20	92- 4	WASHER - med. sect. lock (1/4") . . . . .	2
21	D 39476	CLAMP - hose (Late production) . . . . .	1
22	13- 524	HHCS - 5/16" - 16 NC x 1-1/2" . . . . .	2
23	92- 5	WASHER - med. sect. lock (5/16") . . . . .	2
24	25- 105	NUT - hex. (5/16" - 16 NC) . . . . .	2
25	D 24277	PULLER - hose guide . . . . .	2
26	92- 6	WASHER - med. sect. lock (3/8") . . . . .	1
27	25- 106	NUT - hex. (3/8" - 16 NC) . . . . .	1
28	D 28150	BLOCK - hose retainer (Welded to lower backing plate) R.H.	1
29	D 28148	BLOCK - hose retainer (Welded to lower backing plate) L.H.	1
30	R 14668	ELBOW - 90°, street . . . . .	2
31	D 29834	HOSE - plate to cylinder (30" long) . . . . .	2
	D 26362	CYLINDER AND GUARD . . . . .	1
32	D 24312	ADAPTER - 90°, swivel (Early production) . . . . .	2
	D 40146	ELBOW - 90°, adjustable (Late production) . . . . .	2
33	218- 5007	SEAL - "O"ring (D40146 Elbow only) . . . . .	1
34	*D 24102	CYLINDER - hydraulic, side shift (2-1/2" I.D. x 6" stroke) Early production (Parts list page 63) . . . . .	1
35	D 24084	CLIP - retaining use with D24083 . . . . .	4
36	D 24063	PIN - cylinder mounting (When stock is exhausted use D36819) . . . . .	2
37	*D 40197	CYLINDER - hydraulic, side shift (2-1/2" I.D. x 6" stroke) Late production (Parts list page 75) . . . . .	1
38	138- 142	PIN - roll, 1/4" dia. x 2" . . . . .	2
39	D 36819	PIN - cylinder mounting . . . . .	2
40	D 25363	GUARD - cylinder . . . . .	1
41	60918	WASHER - spacer . . . . .	2
42	D 29828	PLATE - backing, upper . . . . .	1
43	D 32575	PLATE - wear, brass (1/8" x 7/8" x 16") . . . . .	2
44	D 32576	PLATE - wear, brass (1/8" x 3/4" x 16") . . . . .	2
45	D 29832	PLATE - backing, lower . . . . .	1
46	D 29833	PLATE - wear, brass (1/8" x 1-1/4" x 16") . . . . .	2
47	D 29831	FRAME - side shifting . . . . .	1
48	219- 13	FITTING - grease, straight (3/16" drive) . . . . .	4

\*NOTE: EARLY PRODUCTION has NPT fittings; LATE PRODUCTION has "O"ring fittings at valve and cylinder ports.

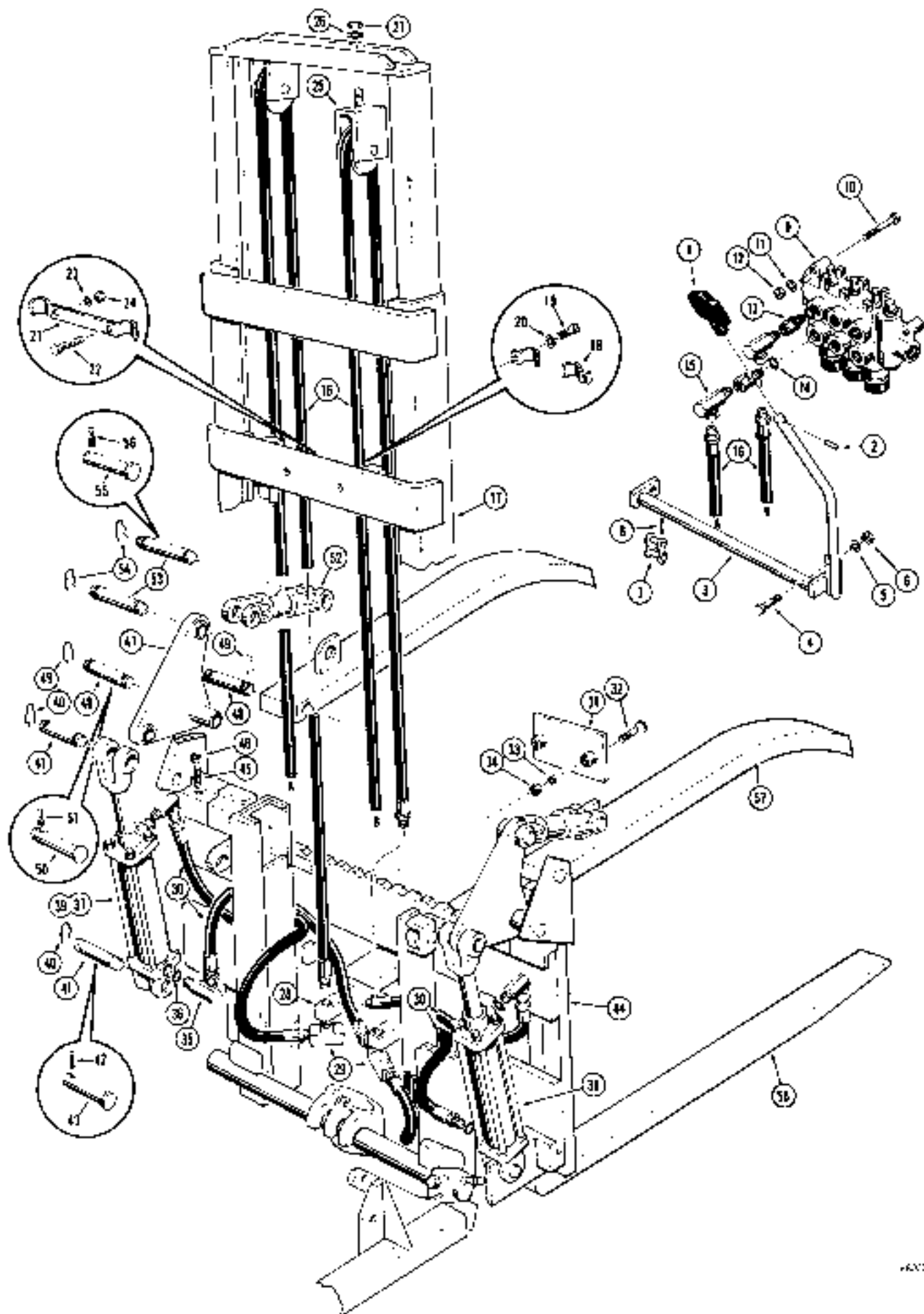




**SIDE SHIFTER AND HYDRAULICS  
STANDARD 21' 6" MAST**

REF.	PART NO.	DESCRIPTION	REQ'D.
	D 24288	LEVER ASSEMBLY - side shift control	1
1	D 24184	KNOB - lever	1
2	138- 57	PIN - roll, 1/8" dia. x 3/4"	1
3	NSS	LEVER - control	1
4	13- 632	HHCS - 3/8" - 16 NC x 2"	2
5	92- 6	WASHER - med. sect. lock (3/8")	2
6	25- 106	NUT - hex. (3/8" - 16 NC)	2
7	D 24140	LINK - connecting	1
8	132- 6	PIN - cutter, 1/16" dia. x 5/8"	2
9	*D 28968	VALVE - hyd., control (Early production) Parts list page 85	1
	*D 39472	VALVE - hyd., control (Late production) Parts list page 87	1
10	13- 636	HHCS - 3/8" - 16 NC x 2-1/4"	3
11	92- 6	WASHER - med. sect. lock (3/8")	3
12	25- 106	NUT - hex. (3/8" - 16 NC)	3
13	D 39479	ADAPTER - straight, male (Late production only)	2
14	218- 5007	SEAL - "O"ring	1
15	D 24170	ADAPTER - 90°, swivel	2
16	D 24300	HOSE - hydraulic, control valve to hose retainer (332" long)	2
17	D 24238	MAST ASSEMBLY - standard 21' 6" (See pages 13 and 15 for component parts)	1
18	D 24297	BRACKET - hose, R.H.	1
19	D 24298	BRACKET - hose, center	1
20	D 24296	BRACKET - hose, L.H.	1
21	214- 253	CLAMP - hose	6
22	D 24292	COUNTERWEIGHT - hydraulic hose	1
23	D 24299	SUPPORT - counterweight guide	1
24	D 24293	GUIDE - counterweight	1
25	D 24294	PULLEY - hose guide	2
26	D 28151	BLOCK - hose retainer (Welded to lower backing plate) R.H.	1
27	D 28149	BLOCK - hose retainer (Welded to lower backing plate) L.H.	1
28	R 14868	ELBOW - 90°, street	2
29	D 24304	HOSE - hydraulic, retainer to cylinder (41-1/2" long)	2
	D 26362	CYLINDER AND GUARD	1
30	D 24312	ADAPTER - 90°, swivel (Early production)	2
	D 40196	ELBOW - 90°, adjustable (Late production)	2
31	218- 5007	SEAL - "O"ring (D40196 Elbow only)	1
32	*D 24102	CYLINDER - hydraulic, side shift (2-1/2" I.D. x 6" stroke) Early production (Parts list page 83)	1
33	D 24064	CLIP - retaining, use with D24083	4
34	D 24083	PIN - cylinder mounting (When stock is exhausted use D36819)	2
35	*D 40197	CYLINDER - hydraulic, side shift (2-1/2" I.D. x 6" stroke) Late production (Parts list page 75)	1
36	138- 142	PIN - roll, 1/4" dia. x 2"	2
37	D 36819	PIN - cylinder mounting	2
38	D 26363	GUARD - cylinder	1
39	60916	WASHER - spacer	2
40	D 29828	PLATE - backing, upper	1
41	D 32575	PLATE - wear, brass (1/8" x 7/8" x 16")	2
42	D 32576	PLATE - wear, brass (1/8" x 3/4" x 16")	2
43	D 29832	PLATE - backing, lower	1
44	D 29833	PLATE - wear, brass (1/8" x 1-1/4" x 16")	2
45	D 29831	FRAME - side shifting	1
46	219- 13	FITTING - grease, straight (3/16" drive)	4

\*NOTE: EARLY PRODUCTION has NPT fittings; LATE PRODUCTION has "O"ring fittings at valve and cylinder ports.



LOG CLAMP AND HYDRAULICS  
STANDARD 10' 6" AND 14' 3" MASTS

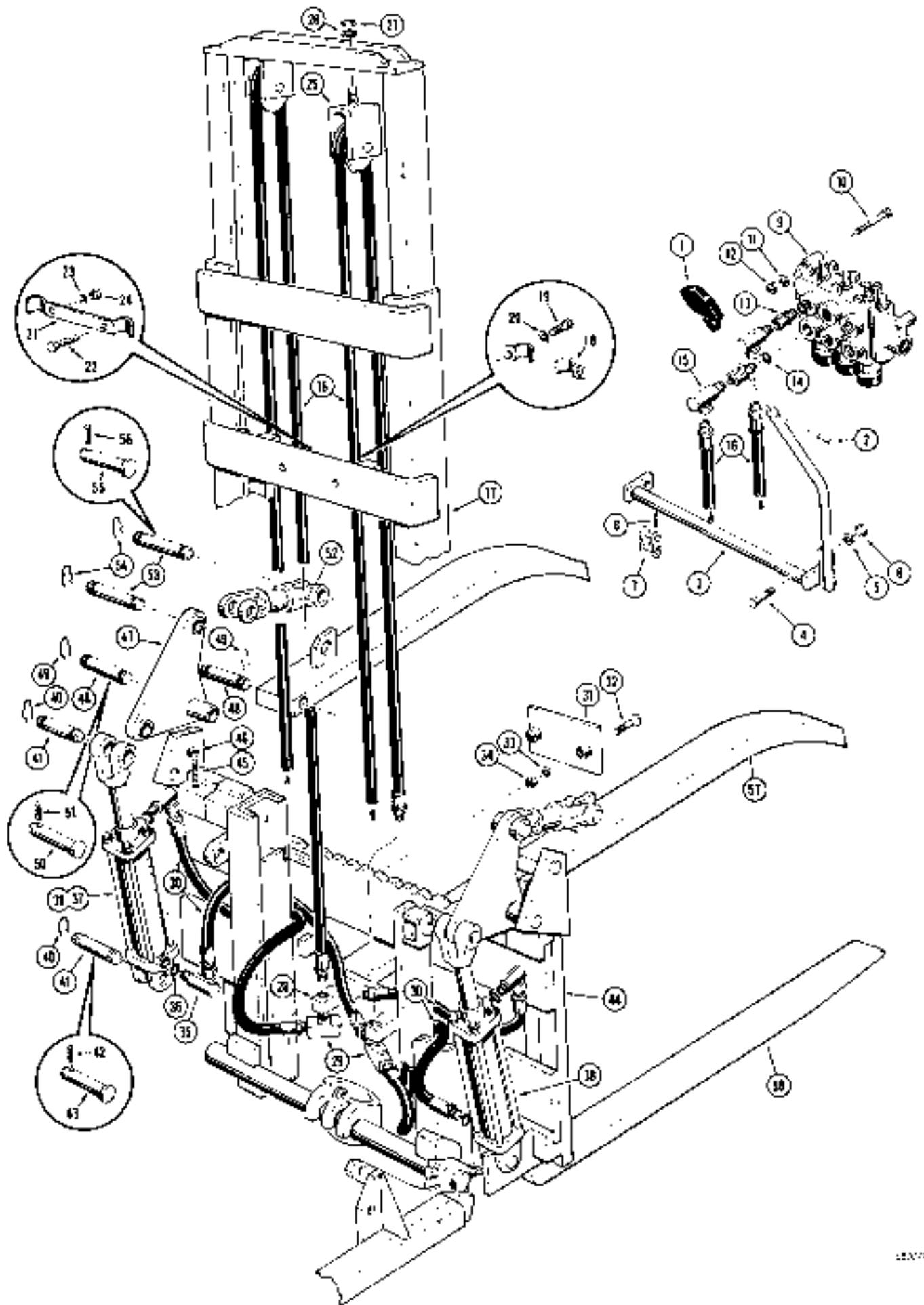
REF.	PART NO.	DESCRIPTION	REQ'D.
	D 24288	1. LEVER ASSEMBLY - log clamp control	1
1	D 24184	KNOB - lever	1
2	138- 57	PIN - roll, 1/8" dia. x 3/4"	1
3	NSS	LEVER - control	1
4	13- 632	HHCS - 3/8" - 16 NC x 2"	2
5	92- 6	WASHER - med. sect. lock (3/8")	2
6	25- 106	NUT - hex. (3/8" - 16 NC)	2
7	D 24140	LINK - connecting	1
8	132- 6	PIN - collar, 1/16" dia. x 5/8"	2
9	*D 28968	VALVE - hydraulic, control (Early production) Parts list page 85	1
	*D 39472	VALVE - hydraulic, control (Late production) Parts list page 87	1
10	13- 538	HHCS - 3/8" - 16 NC x 2-1/4"	3
11	92- 6	WASHER - med. sect. lock (3/8")	3
12	25- 106	NUT - hex. (3/8" - 16 NC)	3
13	D 39479	ADAPTER - straight, male (Late production only)	2
14	218- 5007	SEAL - "O" ring	1
15	D 24170	ADAPTER - 90°, swivel	2
16	D 25231	HOSE - hydraulic, control valve to log clamp cylinder (176" long) Used on standard 10' 6" mast only	2
	D 25232	HOSE - hydraulic, control valve to log clamp cylinder (216" long) Used on standard 14' 3" mast only	2
17	REF.	MAST ASSEMBLY - standard (See pages 9 and 11 for options)	1
18	D 24282	CLAMP - hose (Early production)	2
19	61- 416	SCREW - hex. socket head (1/4" - 20 NC x 1")	2
20	92- 4	WASHER - med. sect. lock (1/4")	2
21	D 39478	CLAMP - hose (Late production)	1
22	13- 524	HHCS - 5/16" - 18 NC x 1-1/2"	2
23	92- 5	WASHER - med. sect. lock (5/16")	2
24	25- 105	NUT - hex. (5/16" - 18 NC)	2
25	D 24277	PULLEY - hose guide	2
26	92- 6	WASHER - med. sect. lock (3/8")	1
27	25- 106	NUT - hex. (3/8" - 16 NC)	1
28	D 24342	BLOCK - hose, retainer (Welded to lower backing plate)	2
29	D 34437	TEE - at block	2
30	D 29834	HOSE - hydraulic, to log clamp cylinder (30" long)	4
31	D 34435	PLATE - hose guard	2
32	64- 640	SCREW - hex. socket head (3/8" - 16 NC x 2-1/2")	4
33	92- 6	WASHER - med. sect. lock (3/8")	4
34	25- 106	NUT - hex. (3/8" - 16 NC)	4
35	D 34436	ADAPTER - 90°, adjustable (Early Production)	4
	D 40825	ELBOW - 90°, adjustable (Late production)	4
36	218- 5006	SEAL - "O" ring	1
37	D 27002	CYLINDER - hydraulic, log clamp (3-1.2" I.D. x 6" stroke) Early production (Use D34438 or D34439) Includes items 40 and 41 (Parts list page 86)	2

\*NOTE: EARLY and INTERMEDIATE PRODUCTION log clamp attachments can be identified by their tapered pipe thread type fittings at the cylinder ports.

PORTS.

LATE PRODUCTION log clamp attachments can be identified by their "O" ring type fittings at cylinder ports.

(Cont on next page)

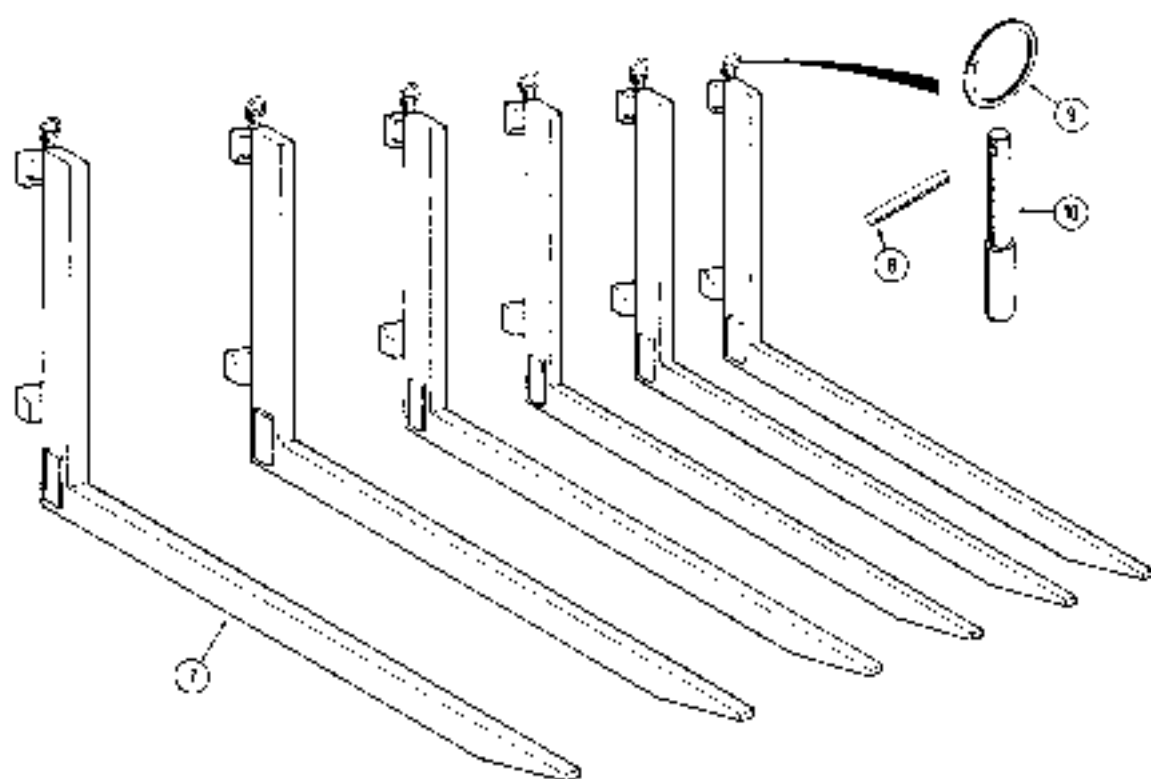
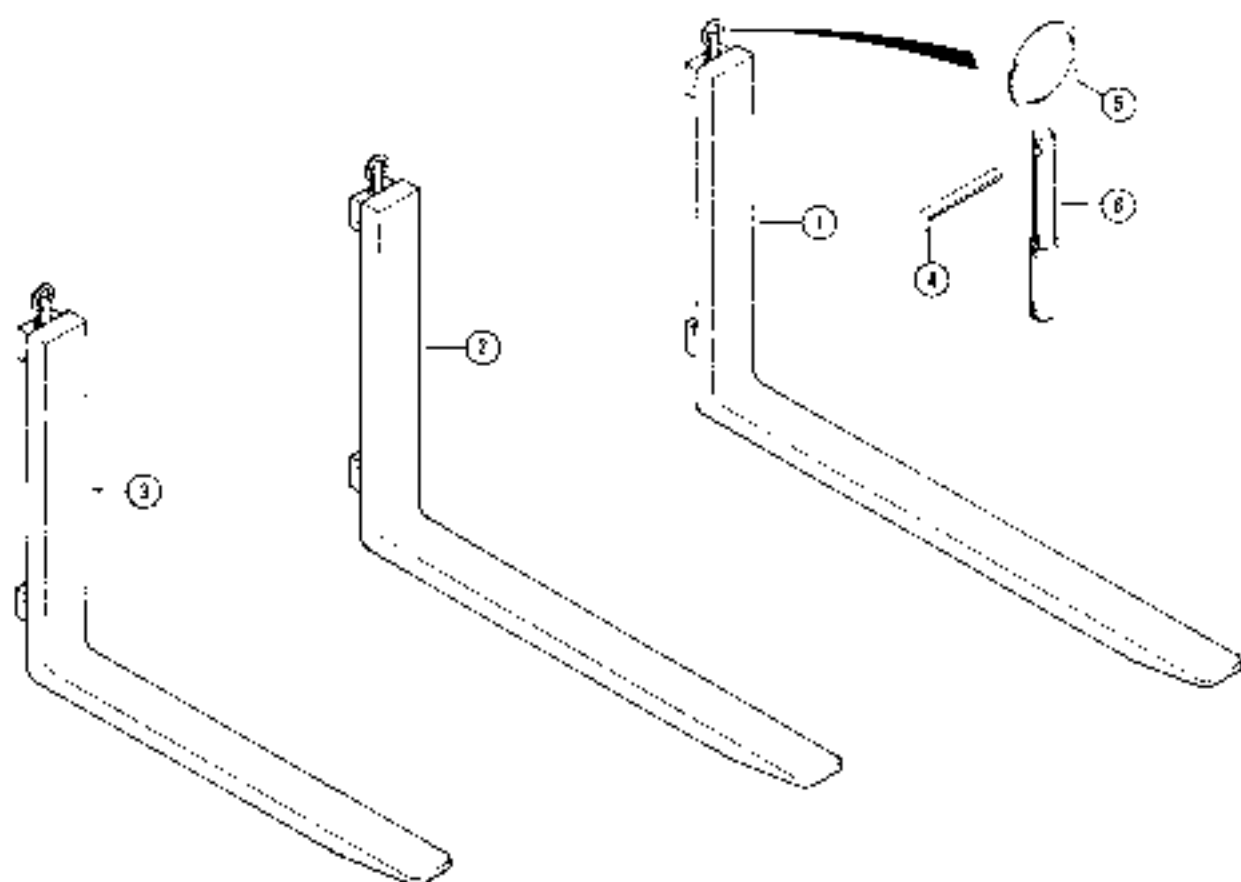


**LOG CLAMP AND HYDRAULICS  
STANDARD 10' 6" AND 14' 3" MASTS**

REF.	PART NO.	DESCRIPTION	REQ'D.
38 *D	34438	CYLINDER - hydraulic, log clamp (R.H.) 3-1/2" I.D. x 6" stroke (Intermediate production) Includes items 40 and 41 (Parts list page 67)	1
*D	40823	CYLINDER - hydraulic, log clamp (R.H.) 3-1/2" I.D. x 6" stroke (Late production) Includes items 42 and 43 (Parts list page 77)	1
39 *D	34439	CYLINDER - hydraulic, log clamp (L.H.) 3-1/2" I.D. x 6" stroke (Intermediate production) Includes items 40 and 41 (Parts list page 69)	1
*D	40824	CYLINDER - hydraulic, log clamp (L.H.) 3-1/2" I.D. x 6" stroke (Late production) Includes items 42 and 43 (Parts list page 79)	1
40 D	24084	CLIP - retaining, mounting (Use with D24083)	4
41 D	24083	PIN - cylinder mounting (When stock is exhausted use D36819)	2
42 138-	142	PIN - roll, 1/4" dia. x 2" (Use with D36819)	2
43 D	36819	PIN - cylinder mounting	2
44 E	28953	HANGER - log clamp	2
45 D	34440	SCREW - set, special	2
46 25-	1410	NUT - hex., jam (5/8" - 11 NC)	2
47 D	28949	PLATE - link	2
48 D	28952	PIN - pivot, clamp hanger to link plate and clamp arm (When stock is exhausted, use D40826)	4
49 D	24084	CLIP - pin retainer (Use with D28952)	8
50 D	40826	PIN - pivot, clamp hanger to link plate and clamp arm	4
51 138-	142	PIN - roll, 1/2" dia. x 2"	4
52 D	28950	LINK - connecting, link plate to clamp arm	2
53 D	24267	PIN - pivot, connecting link to link plate and clamp arm (When stock is exhausted, use D36819)	4
54 D	24084	CLIP - pin retainer (Use with D24267)	8
55 D	36819	PIN - pivot, connecting link to link plate and clamp arm	4
56 138-	142	PIN - roll, 1/4" dia. x 2"	4
57 D	28954	ARM - log clamp	2
58	REF	FORKS - pallet (See page 29 for component parts)	2

\*NOTE: EARLY AND INTERMEDIATE PRODUCTION Log Clamp Attachments can be identified by their tapered pipe thread type fittings at the cylinder ports.

LATE PRODUCTION Log Clamp Attachments can be identified by their "O"ring type fittings at the cylinder ports.



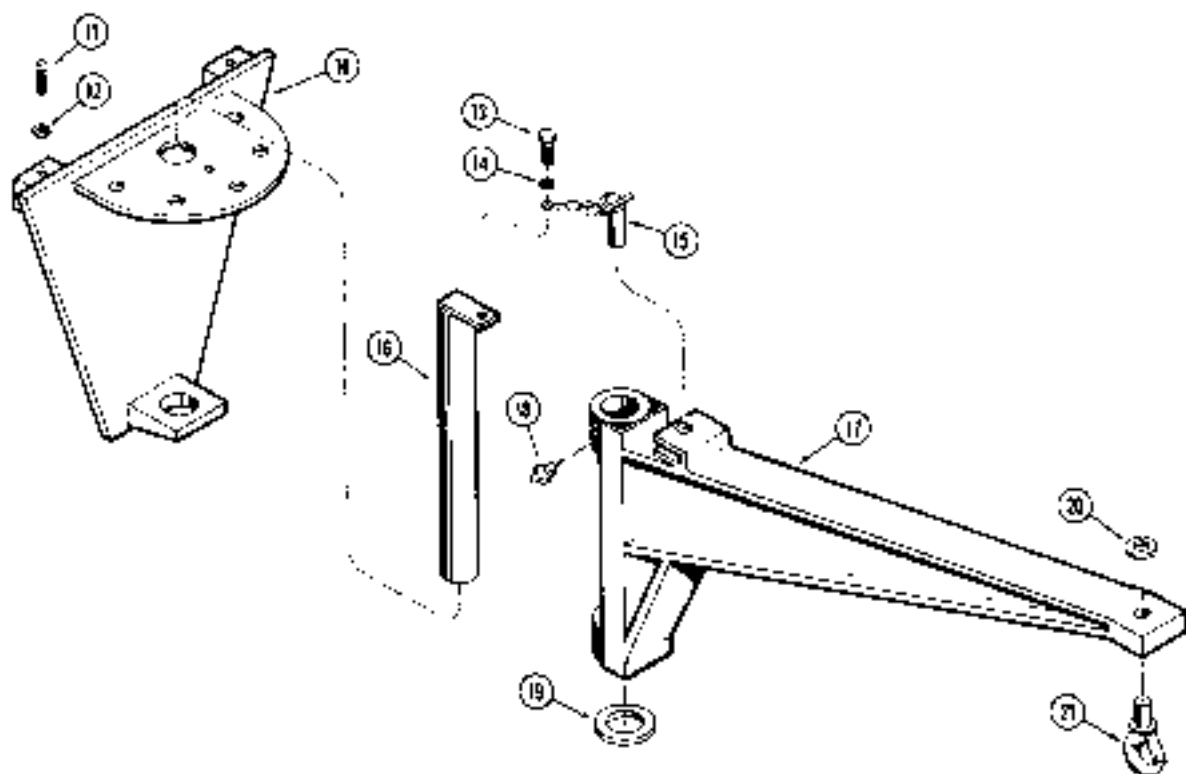
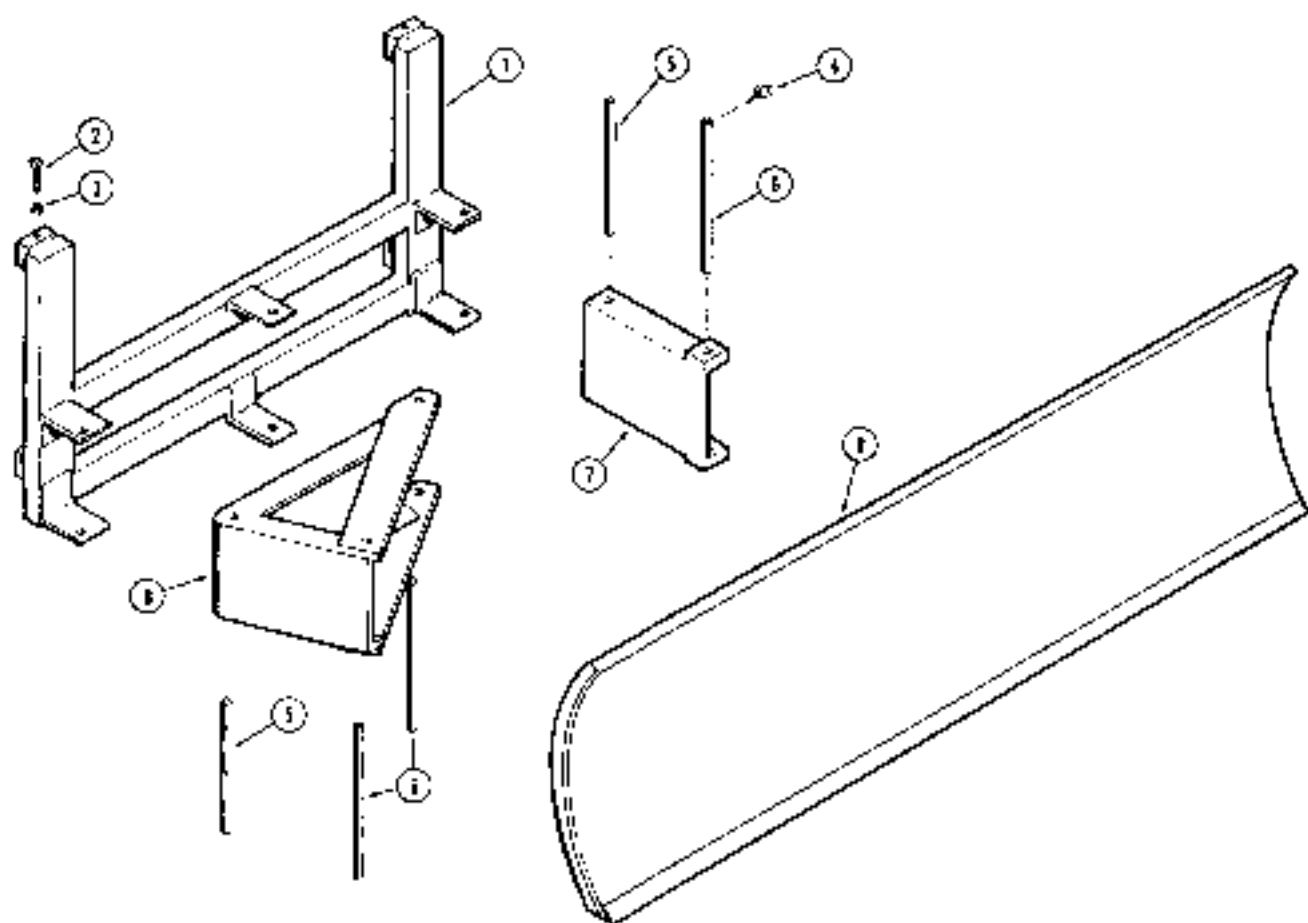
**MODEL 530 CONSTRUCTION KING FORK LIFT 29****PALLET FORKS**

REF.	PART NO.	DESCRIPTION	REQ'D.
1	D 10464	FORK - pallet, 48" length (Use on standard masts) . . . . .	2
	D 36809	FORK - pallet, 48" length (Use on heavy duty masts) . . . . .	2
2	D 10465	FORK - pallet, 42" length (Use on standard masts) . . . . .	2
3	D 10466	FORK - pallet, 36" length (Use on standard masts) . . . . .	2
4	138- 104	PIN - roll, 3/16" dia. x 2" (If used) . . . . .	1
5	D 41289	RING - pin retaining (If used) . . . . .	1
6	D 38359	PIN - lock, fork positioning . . . . .	1

**CEMENT BLOCK FORKS  
(OPTIONAL ON STANDARD MASTS ONLY)**

REF.	PART NO.	DESCRIPTION	REQ'D.
7	D 10653	FORK - cement block (Use with standard masts) . . . . .	6
8	138- 104	PIN - roll, 3/16" dia. x 2" (If used) . . . . .	1
9	D 41289	RING - pin retaining (If used) . . . . .	1
10	E 38359	PIN - lock, fork positioning . . . . .	1



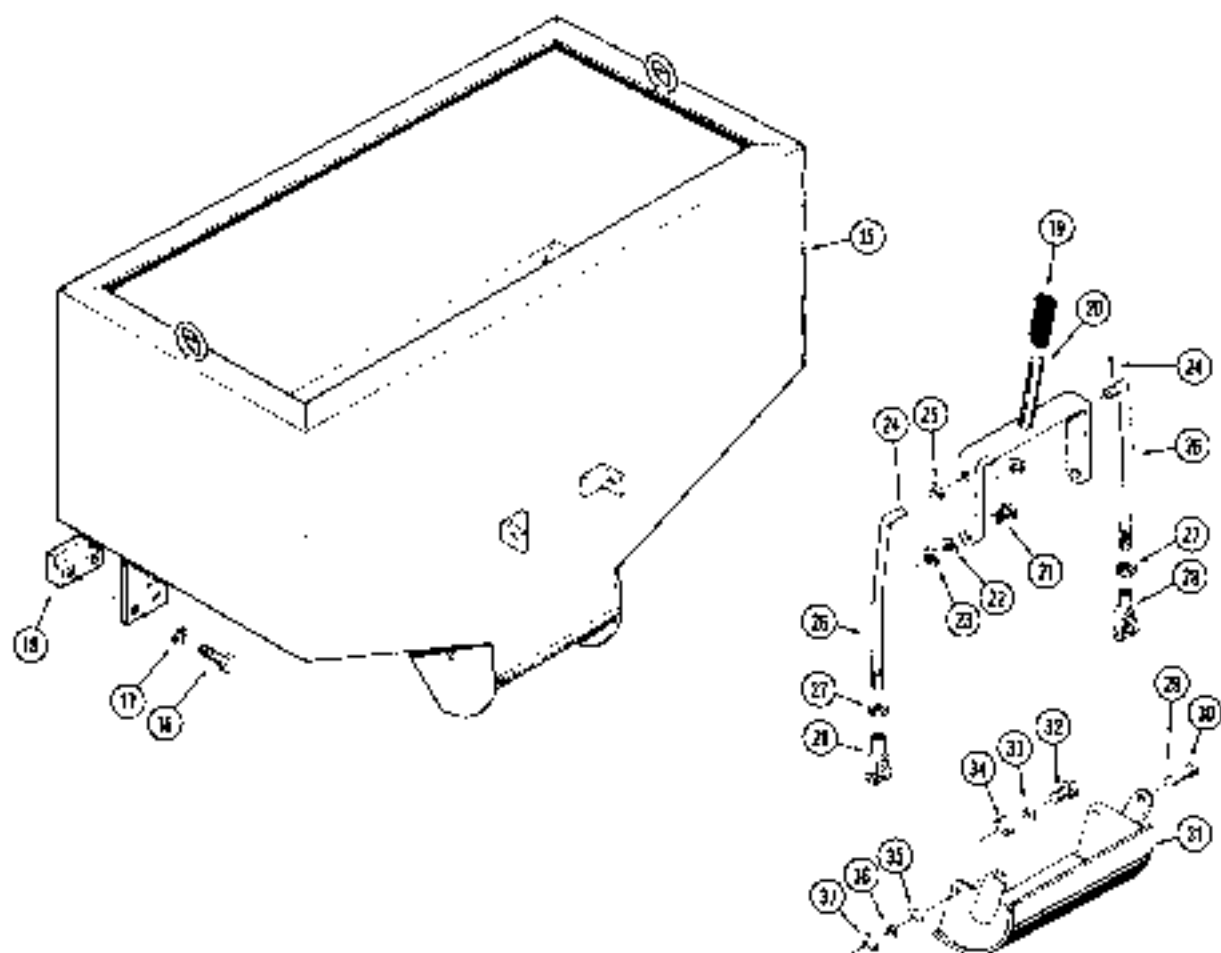
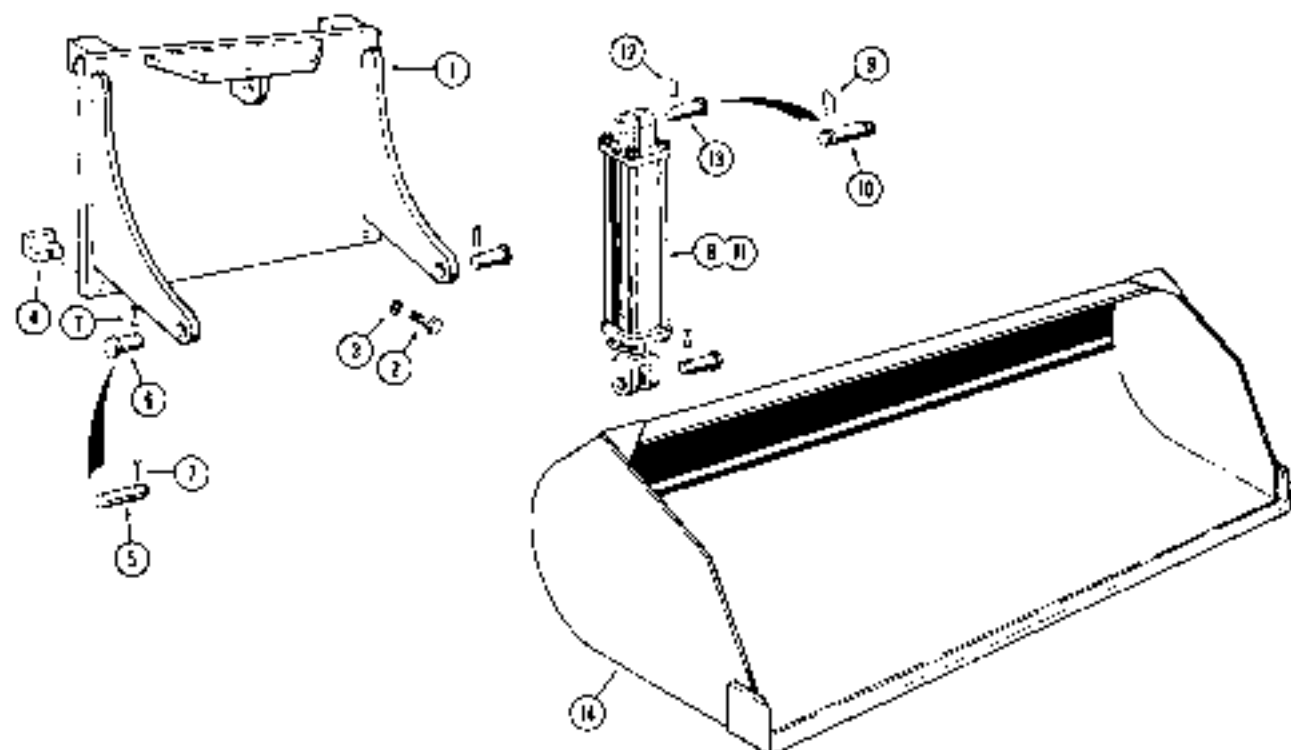


**ANGLING DOZER BLADE  
(OPTIONAL ON STANDARD MASTS ONLY)**

REF.	PART NO.	DESCRIPTION	REQ'D.
1	D 27865	FRAME - blade support . . . . .	1
2	181- 715	SCREW - set, square head (5/8" - 11 NC x 3-1/2") . . . . .	2
3	25- 1410	NUT - hex., jam (5/8" - 11 NC) . . . . .	2
4	D 27949	KLIK PIN - pin retaining . . . . .	10
5	D 27862	PIN - mounting, 1" dia. x 14" . . . . .	2
6	D 27863	PIN - mounting, 1" dia. x 15-5/8" . . . . .	3
7	D 27864	BRACKET - blade support . . . . .	1
8	D 27866	BRACKET - blade pivot . . . . .	1
9	D 27861	BLADE - dozer . . . . .	1

**CRANE BOOM  
(OPTIONAL ON STANDARD MASTS ONLY)**

REF.	PART NO.	DESCRIPTION	REQ'D.
10	D 27050	HANGER - boom arm . . . . .	1
11	181- 713	SCREW - set, square head (5/8" - 11 NC x 3") . . . . .	2
12	25- 1410	NUT - hex., jam (5/8" - 11 NC) . . . . .	2
13	13- 612	HHCS - 3/8" - 16 NC x 3/4" . . . . .	1
14	92- 6	WASHER - med. sect. lock (3/8") . . . . .	1
15	D 27053	PIN - locking (Chain included) . . . . .	1
16	D 27052	PIN - pivot . . . . .	1
17	D 27054	ARM - boom . . . . .	1
18	219- 13	FITTING - grease, straight (3/16" drive) . . . . .	2
19	D 27051	WASHER - pivot, special . . . . .	1
20	80916	WASHER - hook retaining, special . . . . .	1
21	D 27055	HOOK - boom . . . . .	1



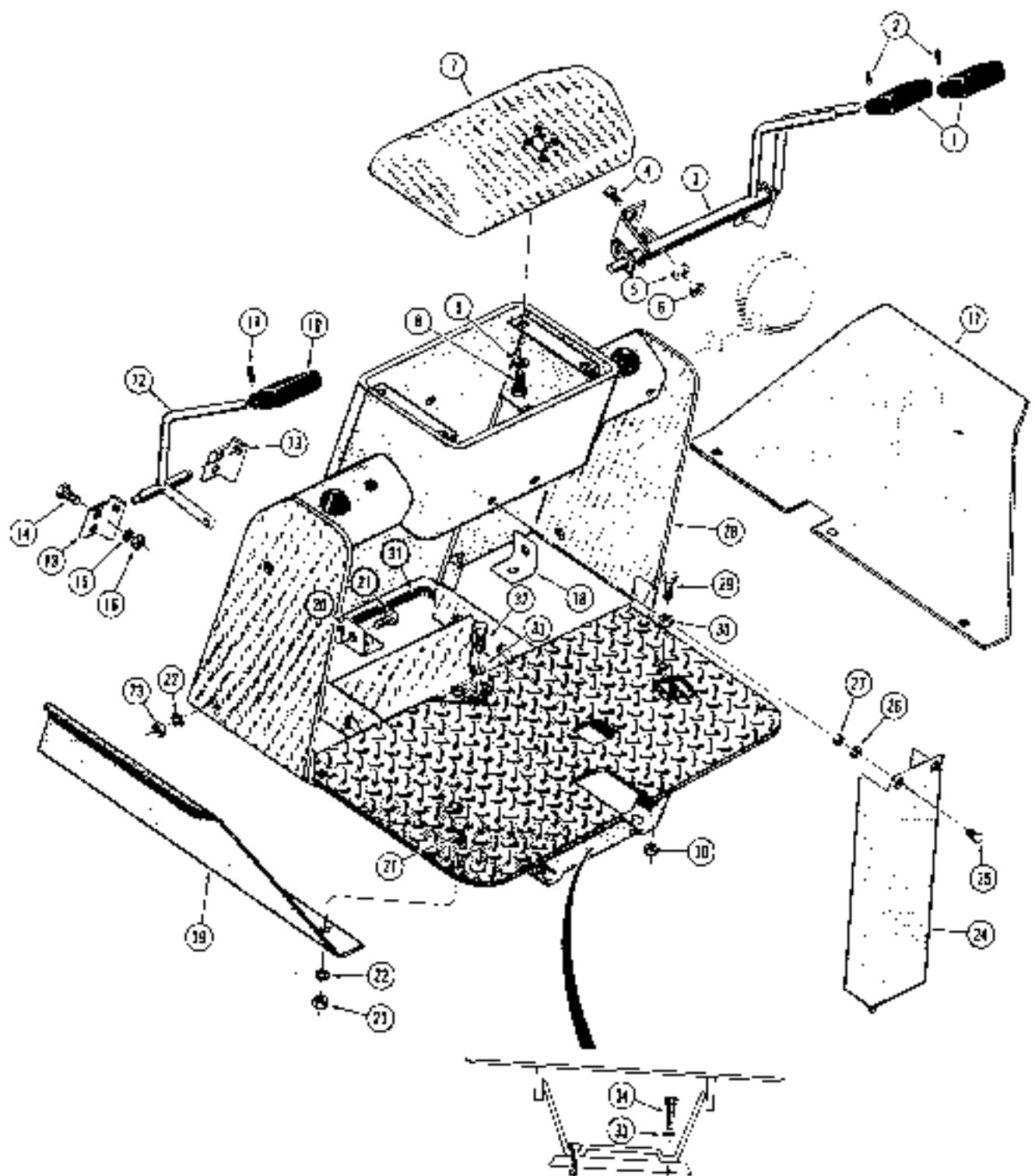
**LOADER BUCKET  
(OPTIONAL ON STANDARD MASTS ONLY)**

REF.	PART NO.	DESCRIPTION	REQ'D.
1	D 23180	FRAME - bucket support	1
2	13- 1032	HHCS - 5/8" - 11 NC x 2"	2
3	92- 10	WASHER - med. sect. lock (5/8")	2
4	D 24261	BLOCK - clamp	2
5	D 28178	PIN - bucket mounting (When stock is exhausted, use D36819)	2
6	D 36819	PIN - bucket mounting	2
7	138- 140	PIN - roll, 1/4" dia. x 1-3/4"	2-4
8	*D 24080	CYLINDER - hydraulic, bucket (3" I.D. x 6" stroke) Early production (Parts list page 61)	1
9	D 24084	CLIP - pin retaining (Use with D24083)	4
10	D 24083	PIN - cylinder mounting (When stock is exhausted, use D36819)	2
11	*D 39464	CYLINDER - hydraulic, bucket (3" I.D. x 6" stroke) Late production (Parts list page 71)	1
12	138- 140	PIN - roll, 1/4" dia. x 1-3/4"	2
13	D 36819	PIN - cylinder mounting	2
14	D 28179	BUCKET - loader (1/2 cu. yard)	1

**CEMENT BUCKET  
(OPTIONAL ON STANDARD MASTS ONLY)**

REF.	PART NO.	DESCRIPTION	REQ'D.
15	D 10545	BUCKET - cement, 1/2 cu. yard (Machinery item)	1
16	14- 1236	HHCS - 3/4" - 16 NF x 2-1/4"	4
17	92- 12	WASHER - med. sect. lock (3/4")	4
18	61035	BLOCK - clamp	2
19	31400	GRIP - handle, rubber	1
20	65294	HANDLE - discharge spout	1
21	31383	BOLT - pivot, handle	2
22	92- 8	WASHER - med. sect. lock (3/8")	2
23	25- 116	NUT - hex. (3/8" - 24 NF)	2
24	132- 148	PIN - cotter, 1/8" dia. x 1"	2
25	195- 33	WASHER - plain (1/2")	4
26	65295	ROD - spout control	2
27	25- 118	NUT - hex. (1/2" - 20 NF)	2
28	213- 6	YOKE - control rod	2
29	132- 48	PIN - cotter, 1/8" dia. x 1"	2
30	141- 6	PIN - yoke, 1/2" dia. x 1-25/64"	2
31	65293	SPOUT - discharge	1
32	14- 1232	HHCS - 3/4" - 16 NF x 2"	2
33	195- 59	WASHER - plain (1")	2
34	61005	BUSHING - spout (9/16" long)	2
35	95- 12	WASHER - standard wrot (3/4")	2
36	92- 12	WASHER - med. sect. lock (3/4")	2
37	25- 112	NUT - hex. (3/4" - 16 NF)	2

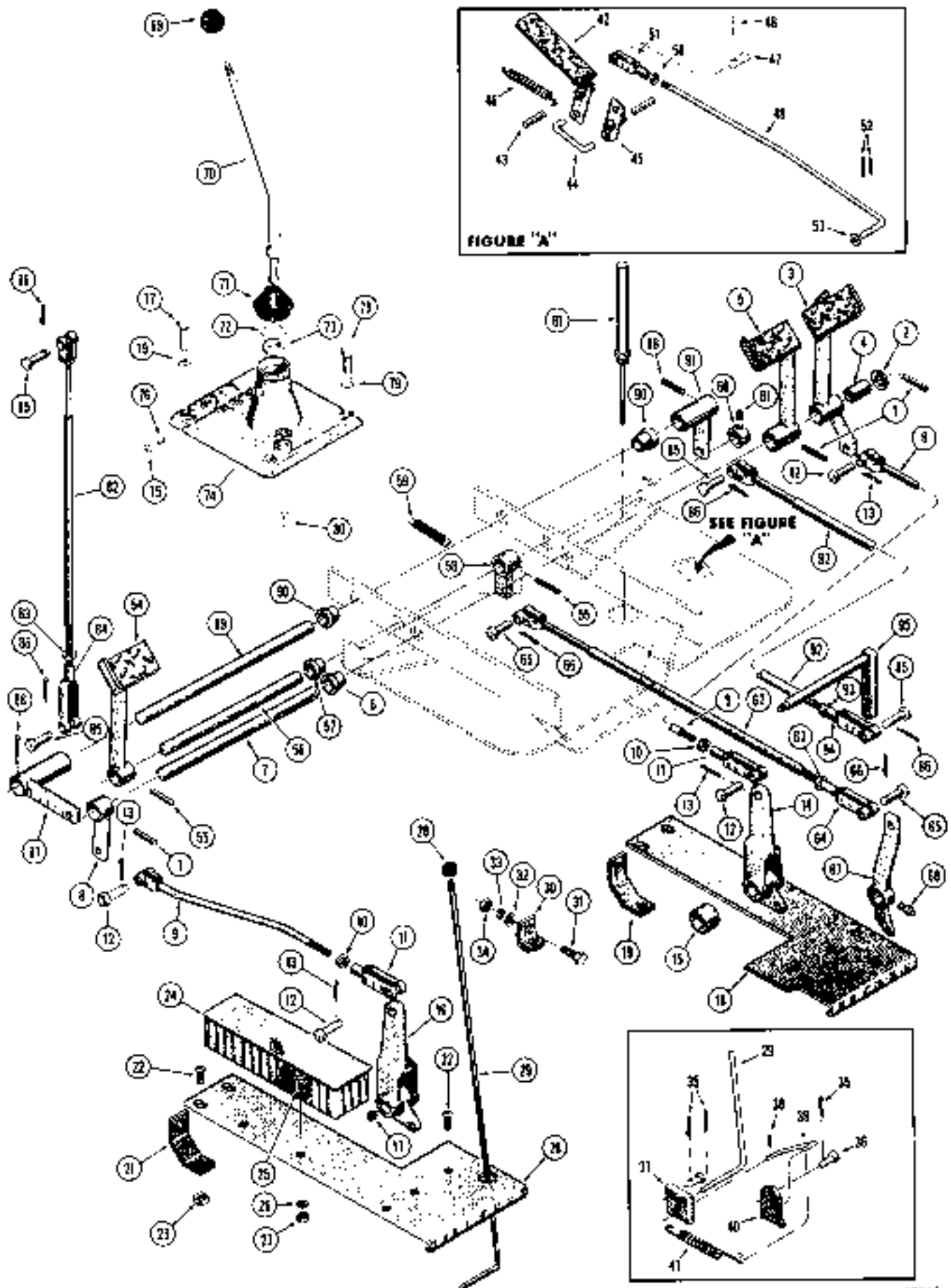
\*NOTE: EARLY PRODUCTION Loader Bucket Attachments can be identified by their tapered pipe thread type fittings at the hydraulic cylinder ports.  
LATE PRODUCTION Loader Bucket Attachments can be identified by their "O"ring type fittings at the hydraulic cylinder ports.



**MODEL 530 CONSTRUCTION KING FORK LIFT 38**

**CONTROL TOWER AND RELATED PARTS**

REF.	PART NO.	DESCRIPTION	REQ'D.
1	D 24184	KNOB - lever	2
2	138- 57	PIN - roll, 1/8" dia. x 3/4"	2
3	D 24183	LEVER SET - raise and tilt control	1
4	13- 616	HHCS - 3/8" - 16 NC x 1"	4
5	92- 6	WASHER - med. sect. lock (3/8")	4
6	25- 106	NUT - hex. (3/8" - 16 NC)	4
7	D 33726	COVER - control tower	1
8	13- 616	HHCS - 3/8" - 16 NC x 1"	4
9	92- 6	WASHER - med. sect. lock (3/8")	4
10	D 24184	KNOB - lever	1
11	138- 57	PIN - roll, 1/8" dia. x 3/4"	1
12	D 33732	LEVER - shuttle control	1
13	D 33731	BRACKET - control mounting	2
14	13- 616	HHCS - 3/8" - 16 NC x 1"	4
15	92- 6	WASHER - med. sect. lock (3/8")	4
16	25- 106	NUT - hex. (3/8" - 16 NC)	4
17	D 32713	FENDER - R.H.	1
18	D 33755	BRACKET - fender, R.H. (If used)	1
19	D 32712	FENDER - L.H.	1
20	D 33757	BRACKET - fender, L.H. (If used)	1
21	13- 616	HHCS - 3/8" - 16 NC x 1"	6-8
22	92- 6	WASHER - med. sect. lock (3/8")	6-8
23	25- 106	NUT - hex. (3/8" - 16 NC)	6-8
24	D 33175	GUARD - steering	1
25	13- 412	HHCS - 1/4" - 20 NC x 3/4"	2
26	92- 4	WASHER - med. sect. lock (1/4")	2
27	25- 104	NUT - hex. (1/4" - 20 NC)	2
28	D 33180	TOWER - control, fork lift	1
29	13- 624	HHCS - 3/8" - 16 NC x 1-1/2"	1
30	25- 106	NUT - hex. (3/8" - 16 NC)	2
31	D 33835	TRIM - tower edge	1
32	13- 620	HHCS - 3/8" - 16 NC x 1-1/4"	4
33	92- 6	WASHER - med. sect. lock (3/8")	6
34	13- 632	HHCS - 3/8" - 16 NC x 2"	2



**MODEL 530 CONSTRUCTION KING FORK LIFT 37**  
**FOOT PEDALS, SHUTTLE, SHIFT AND LINKAGE**

REF. PART NO. DESCRIPTION REQ'D.

**BRAKE PEDALS AND LINKAGE**

1	138- 136	PIN - roll, 1/4" dia. x 1-1/2"	3
2	D 33753	WASHER - spacer	1
3	D 24205	PEDAL - brake, R.H.	1
4	D 26052	BUSHING - pedal	1
5	D 24204	PEDAL - brake, L.H.	1
6	D 24206	BUSHING - flange	2
7	D 24201	SHAFT - pivot, brake pedal	1
8	D 24199	LEVER - brake, L.H. (At pivot shaft)	1
9	D 33162	ROD - brake, pedal to lever	2
10	25- 118	NUT - hex. (1/2" - 20 NF)	1
11	D 24221	YOKE - adjusting	1
12	D 24201	PIN - yoke	4
13	132- 47	PIN - cotter, 1/8" dia. x 7/8"	1
14	D 25794	LEVER - brake, R.H. (At brake housing)	1
15	D 24223	SPACER - brake lever, R.H.	1
16	D 25795	LEVER - brake, L.H. (At brake housing)	1
17	219- 13	FITTING - grease, straight (3/16" drive)	1
18	D 23176	STEP PLATE - R.H.	1
19	A 35171	SUPPORT - step plate, R.H.	1
20	A 36196	STEP PLATE - L.H.	1
21	A 35170	SUPPORT - step plate, L.H.	1
22	175- 413	SCREW - machine (Truss head) 5/16" - 18 NC x 3/4"	8
23	131- 105	NUT - retainer (5/16" - 18 NC)	8
24	G 13138	TOOL BOX	1
25	13- 68	HHCS - 3/8" - 16 NC x 1/2"	2
26	92- 6	WASHER - med. sect. lock (3/8")	2
27	25- 108	NUT - hex. (3/8" - 16 NC)	2

**BRAKE LOCK**

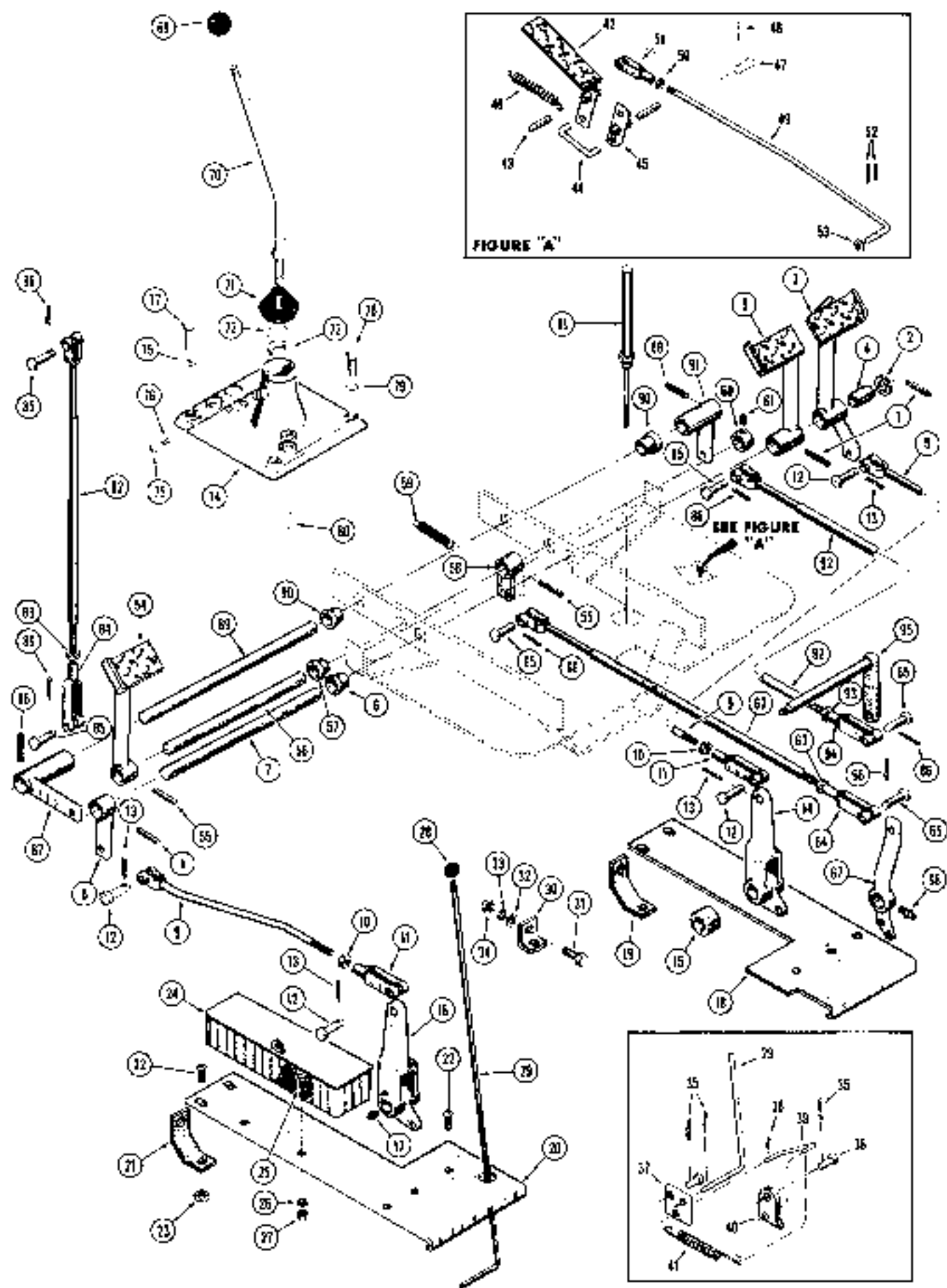
28	G 10776	KNOB - lever, brake lock	1
29	A 36232	LEVER - brake lock	1
30	A 36231	BRACKET - brake lock	1
31	13- 612	HHCS - 3/8" - 16 NC x 3/4"	1
32	195- 25	WASHER - plain (3/8")	1
33	92- 6	WASHER - med. sect. lock (3/8")	1
34	25- 106	NUT - hex. (3/8" - 16 NC)	1
35	132- 48	PIN - cotter, 1/8" dia. x 1"	3
36	A 30119	PIN - pivot, pawl and pivot lever	2
37	A 36230	LEVER - pivot, brake lock	1
38	132- 25	PIN - cotter, 3/32" dia. x 5/8"	1
39	A 36198	LINK - connecting, brake lock	1
40	G 16604	PAWL - brake lock	1
41	A 36199	SPRING - brake lock	1

**FOOT THROTTLE AND LINKAGE**

42	D 24208	PEDAL - foot throttle	1
43	138- 138	PIN - roll, 1/4" dia. x 1-1/2"	2
44	D 24214	LINK - connecting	1
45	D 24209	LEVER - pivot	1
46	D 24278	SPRING - foot throttle	1

(Con't on next page)





**MODEL 530 CONSTRUCTION KING FORK LIFT 39**

**FOOT PEDALS, SHUTTLE, SHIFT AND LINKAGE**

REF.	PART NO.	DESCRIPTION	REQ'D.
47	D 24213	PIN - yoke	1
48	132- 4	PIN - cotter, 1/16" dia. x 7/16"	1
49	D 33160	ROD - throttle	1
50	25- 104	NUT - hex. (1/4" - 20 NC)	1
51	D 24212	YOKE - adjusting	1
52	132- 26	PIN - cotter, 3/32" dia. x 3/4"	2
53	95- 5	WASHER - standard wrot (5/16")	1

**CLUTCH PEDAL AND LINKAGE**

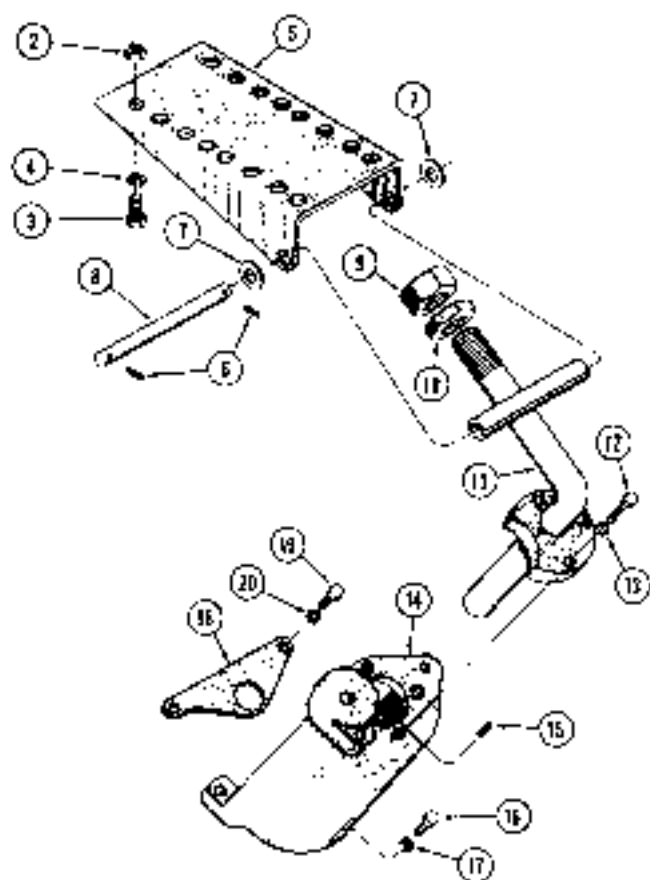
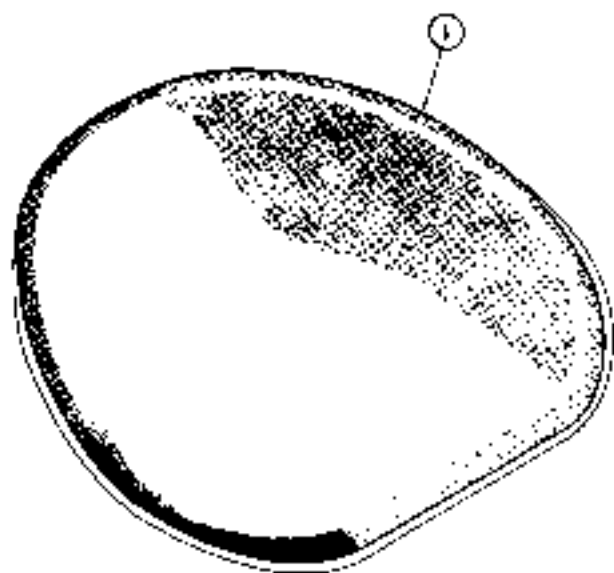
54	D 24198	PEDAL - clutch	1
55	138- 138	PIN - roll, 1/4" dia. x 1-1/2"	2
56	D 24200	SHAFT - pivot, clutch	1
57	D 24206	BUSHING - flange	2
58	D 24202	LEVER - clutch, at pivot shaft	1
59	A 36607	SPRING - clutch return	1
60	D 24203	COLLAR - shaft retaining	1
61	178- 811	SCREW - set (5/16" - 18 NC x 5/16")	1
62	D 33158	ROD - clutch	1
63	25- 118	NUT - hex. (1/2" - 20 NF)	1
64	D 24221	YOKE - adjusting	1
65	D 24291	PIN - yoke	2
66	132- 47	PIN - cotter, 1/8" dia. x 7/8"	1
67	D 28967	LEVER - clutch, at transmission housing	1
68	219- 8	FITTING - grease, straight (1/4" NPT)	1

**GEAR SHIFT**

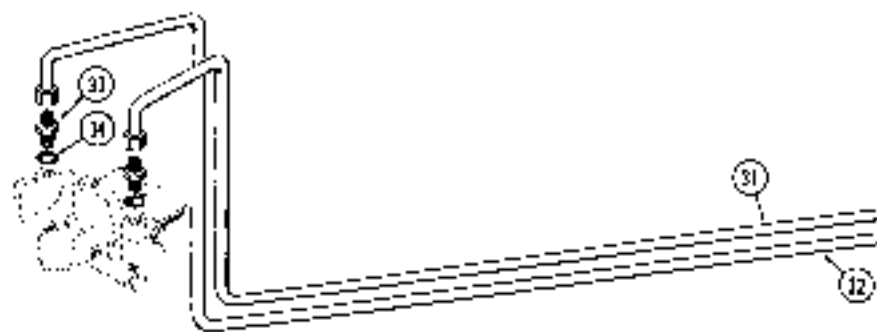
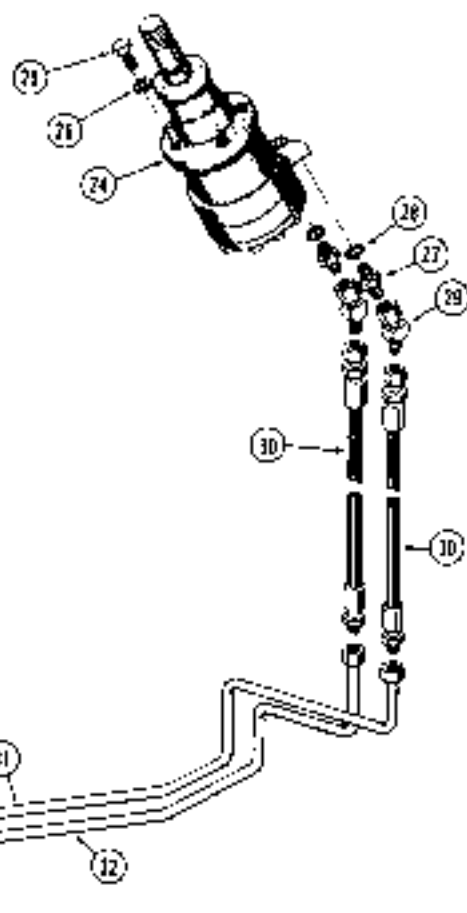
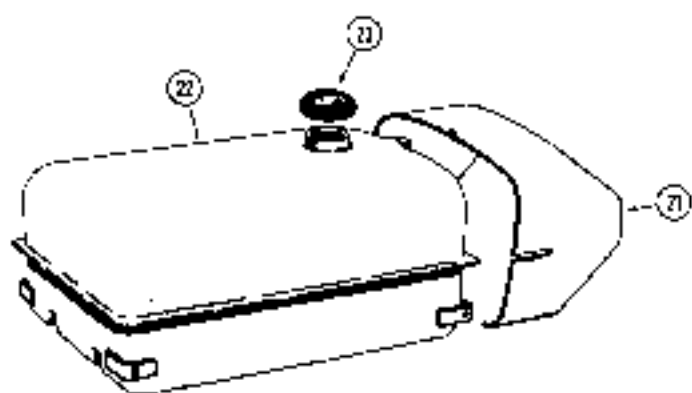
69	A 23885	KNOB - gear shift	1
70	A 36152	LEVER - gear shift	1
71	A 26956	COVER - dust	1
72	A 26836	RING - snap, lever seat	1
73	A 7923	RING - seat, shift lever	1
74	A 36155	COVER - transmission	1
75	25- 146	NUT - hex., jam (3/8" - 16 NC)	1
76	G 15468	SCREW - retaining, shift lever	1
77	13- 632	HHCS - 3/8" - 16 NC x 2"	2
78	13- 624	HHCS - 3/8" - 16 NC x 1-1/2"	2
79	92- 6	WASHER - med. sect. lock (3/8")	4
80	138- 200	PIN - roll, 1/2" dia. x 1"	1
81	D 33178	DIAPHRAGM - transmission	1

**SHUTTLE AND LINKAGE**

82	D 33179	ROD - shuttle, at control tower	1
83	25- 118	NUT - hex. (1/2" - 20 NF)	1
84	D 24221	YOKE - adjusting	1
85	D 24291	PIN - yoke	4
86	132- 47	PIN - cotter, 1/8" dia. x 7/8"	1
87	D 33727	LEVER - shuttle, L.H. (At pivot shaft)	1
88	138- 138	PIN - roll, 1/4" dia. x 1-1/2"	2
89	D 33728	SHAFT - pivot, shuttle	1
90	D 24206	BUSHING - flange	2
91	D 33729	LEVER - shuttle, R.H. (At pivot shaft)	1
92	D 33164	ROD - shuttle, at transmission	1
93-	25- 118	NUT - hex. (1/2" - 20 NF)	1
94	D 24221	YOKE - adjusting	1
95	A 36163	LEVER - shuttle control, at transmission	1



REF. 267



36. 41

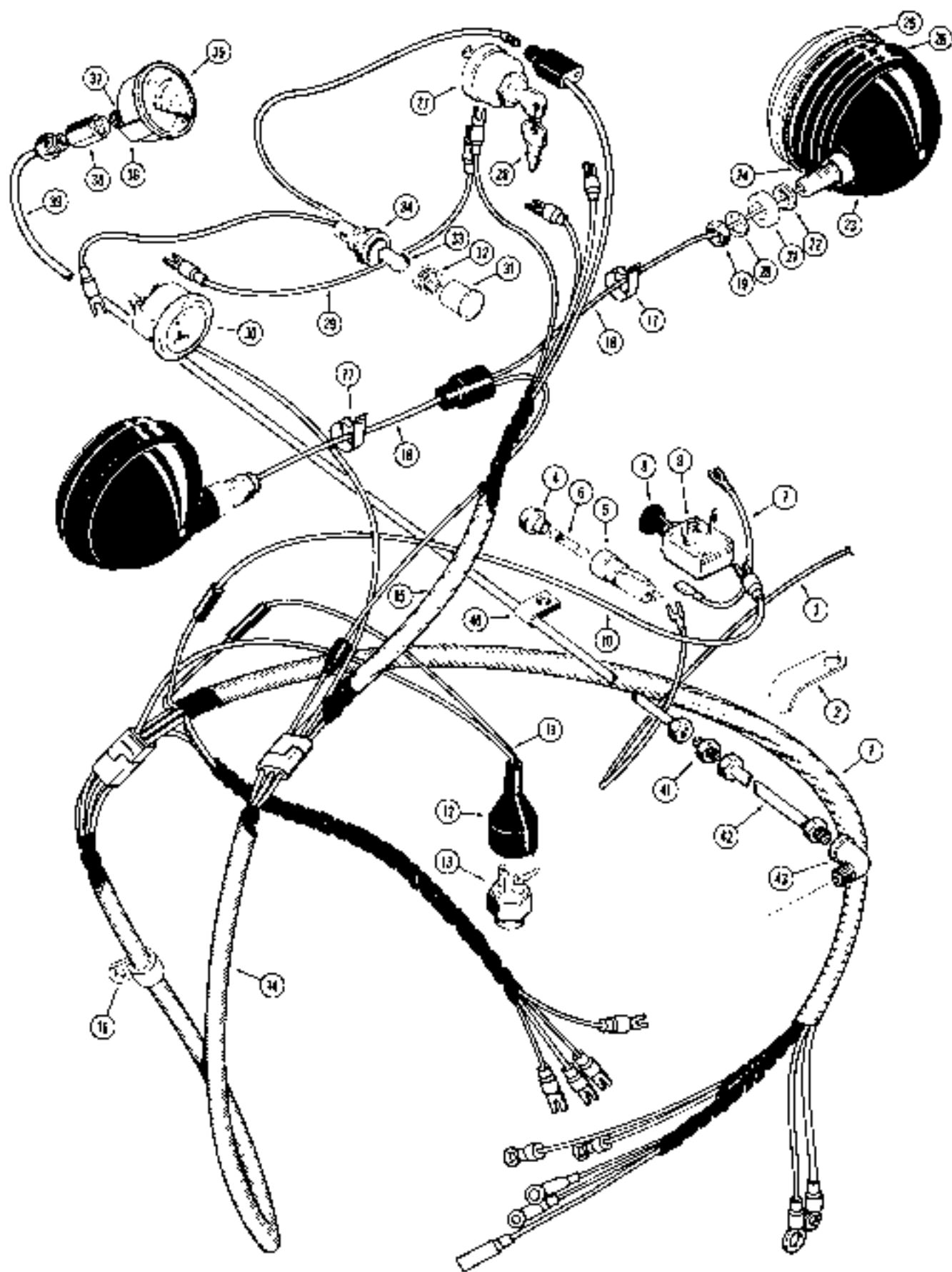
OPERATOR'S SEAT

REF.	PART NO.	DESCRIPTION	REQ'D.
1	D 24180	SEAT - operators, fork lift	1
2	25- 117	NUT - hex. (7/16" - 20 NF)	4
3	14- 712	HHCS - 7/16" - 20 NF x 3/4"	4
4	92- 7	WASHER - med. sect. lock (7/16")	4
	D 33163	SEAT SUPPORT ASSEMBLY	1
5	D 33733	PLATE - seat base	1
6	138- 61	PIN - roll, 1/8" dia. x 1"	2
7	95- 8	WASHER - standard wrot (1/2")	2
8	D 33734	PIN - seat support	1
9	25- 1118	NUT - hex. (1" - 14 NF)	1
10	25- 1516	NUT - hex., jant (1" - 14 NF)	1
11	NSS	ROD - seat support	1
12	13- 720	HHCS - seat base (7/16" - 14 NC x 1-1/4")	3
13	92- 7	WASHER - med. sect. lock (7/16")	3
14	A 36151	SUPPORT - fork lift seat	1
15	138- 130	PIN - roll, 1/4" dia. x 3/4"	1
16	13- 620	HHCS - 3/8" - 16 NC x 1-1/4"	1
17	92- 6	WASHER - med. sect. lock (3/8")	1
18	D 33176	PLATE - seat torque	1
19	13- 624	HHCS - 3/8" - 16 NC x 1-1/2"	2
20	92- 6	WASHER - med. sect. lock (3/8")	2

FUEL TANKS AND STEERING HYDRAULICS

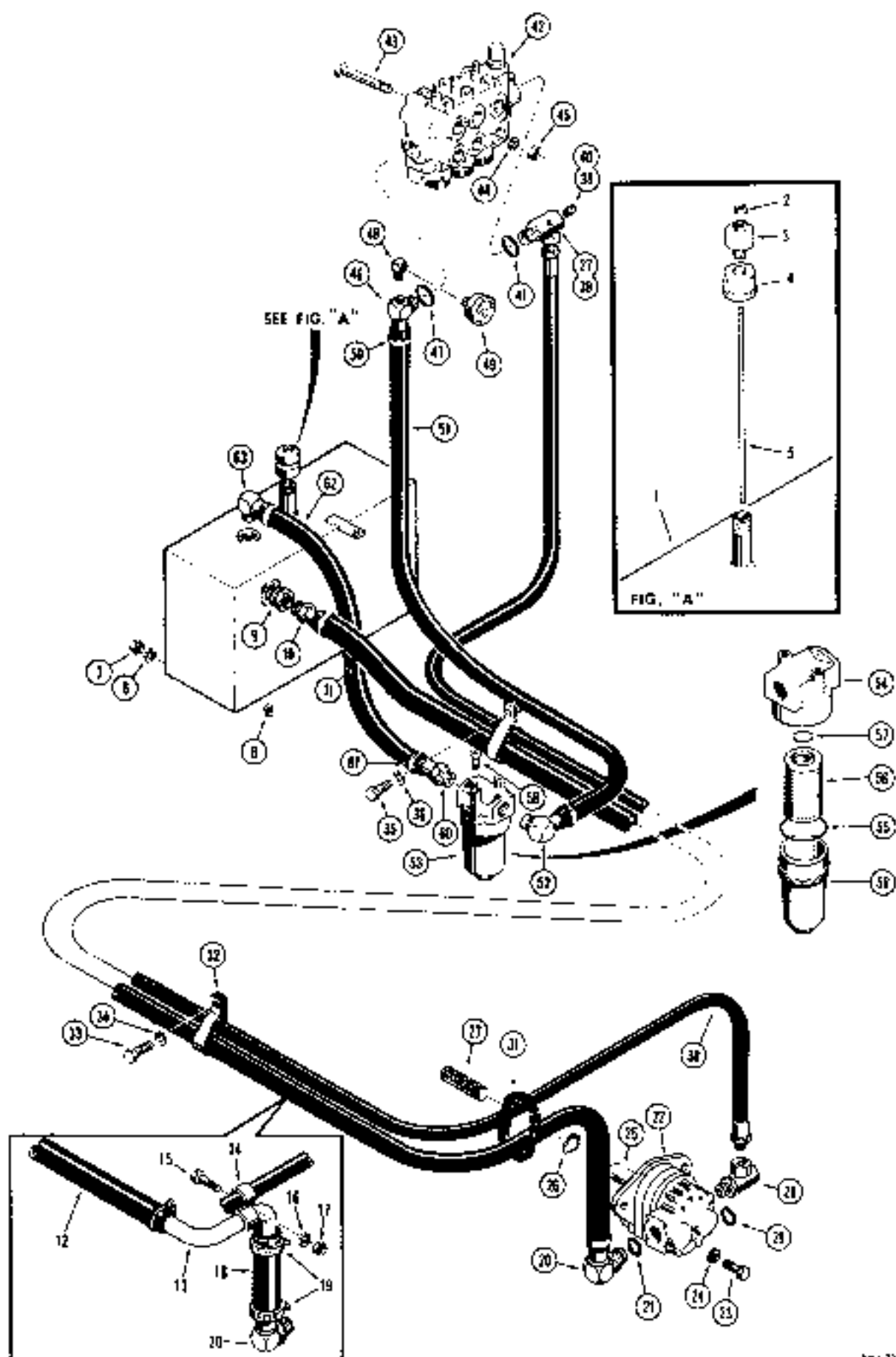
REF.	PART NO.	DESCRIPTION	REQ'D.
21	A 36161	COWL - at fuel tank	1
22	A 36191	FUEL TANK - gasoline	1
	A 36190	FUEL TANK - diesel	1
23	A 22451	CAP - fuel tank	1
24	A 35679	PUMP - manual steering (See Model 530 Construction King Wheel Tractor Parts Catalog for parts list)	1
25	13- 520	HHCS - 5/16" - 18 NC x 1-1/4"	4
26	92- 5	WASHER - med. sect. lock (5/16")	4
27	218- 5059	CONNECTOR - male, straight (At pump)	2
28	218- 5006	SEAL - "O"ring	1
29	218- 5173	ELBOW - 45°, swivel	2
30	A 36162	HOSE - hydraulic, pump (To tube) 29" long	2
31	A 36539	TUBE - hydraulic, hose to steering valve, R.H.	1
32	A 36535	TUBE - hydraulic, hose to steering valve, L.H.	1
33	218- 5059	CONNECTOR - male, straight (At valve)	2
34	218- 5006	SEAL - "O"ring	1

SERVICE NOTE: For completion of Hydrostatic steering circuit, see Model 530 Construction King Wheel Tractor Parts Catalog.



INSTRUMENTS AND WIRING  
(DIESEL AND GASOLINE)

REF.	PART NO.	DESCRIPTION	REQ'D.
1	A 36159	HARNESSE - wiring, main front	1
2	A 22883	CLIP - cable	1
3	A 36166	WIRE - regulator to fuse holder	1
	A 22874	HOLDER ASSEMBLY - fuse	1
4	A 10858	CAP - fuse holder	1
5	NSS	BODY - fuse holder	1
6	223- 20	FUSE - 20 amp	1
7	A 22875	WIRE - fuse holder to light switch	1
	G 13142	SWITCH - light	1
8	G 13141	KNOB - light switch	1
9	NSS	BODY - switch	1
10	A 36168	WIRE - light switch to harness	1
11	A 35039	WIRE - neutral start switch	1
12	A 20991	BOOT - dust seal	1
13	A 20990	SWITCH - neutral starting	1
	A 36156	HARNESSE - wiring, main rear	1
14	A 36158	HARNESSE - wiring, lower half	1
15	A 36157	HARNESSE - wiring, upper half	1
16	A 26696	CLIP - cable	4
17	A 35803	STRAP - harness to tower	2
18	A 33642	WIRE - harness to head lamp	2
19	25- 108	NUT - hex. (1/2" - 13 NC)	2
20	92- 8	WASHER - med. sect. lock (1/2")	2
21	A 36318	SPACER - head lamp	2
	A 33841	HEAD LAMP	2
22	10923	WASHER - bearing, head lamp	1
23	NSS	BODY ASSEMBLY	1
	A 24572	KIT - sealed beam	1
24	A 11276	GASKET - sealed beam	1
25	A 11280	LAMP - sealed beam	1
26	B 50285	RING - rubber, resilient	1
27	A 24510	SWITCH AND KEY - electrical (Diesel)	1
	A 24511	SWITCH AND KEY - ignition, electrical (Gasoline)	1
28	A 24509	KEY - switch, pair (See A20621)	1
	A 20621	KEY - switch, pair (Indak) Used before tractor S/N 8201105	1
29	A 36167	WIRE - switch to temperature gauge	1
30	A 24080	GAUGE - engine temperature	1
	A 35035	LAMP - warning, generator	1
31	NSS	LENS - warning lamp	1
32	NSS	SPRING - warning lamp	1
33	A 24354	BULB - warning lamp	1
34	NSS	BODY - warning lamp	1
35	G 45317	GAUGE - oil pressure, diesel engine	1
	A 30328	GAUGE - oil pressure, gasoline engine	1
36	G 46227	CLAMP - oil pressure gauge (Not included with G45317)	1
37	129- 8	NUT - hex. (#12 - 24 NC) Not included with G45317	2
38	222- 10	COUPLING - female (1/8" NPT)	1
39	A 11327	TUBE - oil line, gauge to fitting	1
40	A 26649	CLIP - oil line	3
41	222- 1	FITTING - flex tube (1/8" NPT)	1
42	A 23263	TUBE - oil line, fitting to engine	1
43	222- 480	ELBOW - 45°, tube to engine (1/8" NPT)	1



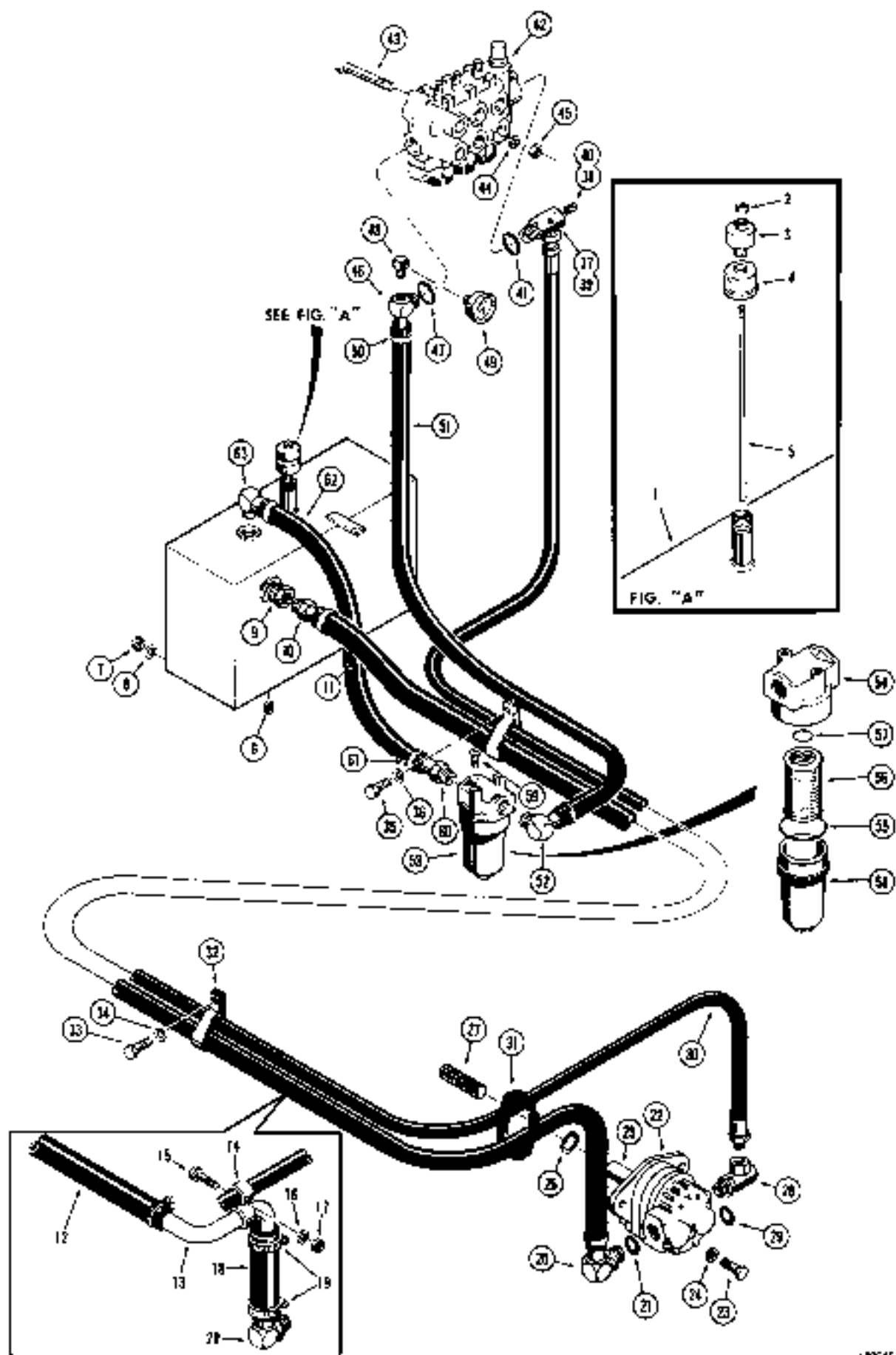
FORK LIFT PRIMARY HYDRAULICS

REF.	PART NO.	DESCRIPTION	REQ'D.
1	D 32577	RESERVOIR - hydraulic oil	1
	D 32599	BREATHER AND DIPSTICK ASSEMBLY	1
2	25- 104	NUT - hex. (1/4" - 20 NC)	1
3	D 33155	BREATHER - hydraulic reservoir	1
4	D 33154	CAP - breather	1
5	D 32608	DIPSTICK - oil level	1
6	221- 4	PLUG - pipe (1/2" NPT)	1
7	25- 108	NUT - hex. (1/2" - 13 NC)	2
8	92- 8	WASHER - med. sect. lock (1/2")	2
9	221- 76	BUSHING - reducing (1-1/2" NPT to 1-1/4" NPT)	1
10	D 33743	STEM - hose, straight	1
11	D 33860	HOSE - suction (1-1/4" I.D. x 112" long) Used before fork lift serial number 4086099) Use items 12 thru 19	1
12	D 34492	HOSE - suction (1-1/4" I.D. x 94-1/2" long) Used after fork lift serial number 4086099	1
13	D 34237	TUBE - suction	1
14	R 15257	CLAMP - hose	1
15	13- 524	HHCS - 5/16" - 18 NC x 1-1/2"	1
16	92- 5	WASHER - med. sect. lock (5/16")	1
17	25- 105	NUT - hex. (5/16" - 18 NC)	1
18	D 34431	HOSE - suction (1-1/4" I.D. x 11" long)	1
19	214- 258	CLAMP - hose	2-4
20	D 33741	STEM - hose, 90°	1
21	218- 5011	SEAL - "O" ring	1
22	D 31254	PUMP - hydraulic, 20 G.P.M. @ 1900 R.P.M. @ 1600 P.S.I. Parts list page 81 (When stock is exhausted, use D41390)	1
	D 41390	PUMP - hydraulic, 20 G.P.M. @ 1900 R.P.M. @ 1600 P.S.I. (Parts list page 83)	1
23	13- 828	HHCS - 1/2" - 13 NC x 1-3/4"	2
24	92- 8	WASHER - med. sect. lock (1/2")	2
25	D 31108	COUPLING - female, pump drive	1
26	G 46150	SNAP RING - coupling	1
27	D 30569	SRAFT - pump drive	1
28	D 33740	ELBOW - adjustable, 90°	1
29	218- 5008	SEAL - "O" ring	1
30	D 33739	HOSE - hydraulic, pump to control valve (3/4" I.D. x 145" long)	1
31	D 33854	TRIM - rubber, side panel	1
32	D 33738	CLAMP - hose	2
33	13- 1020	HHCS - 5/8" - 11 NC x 1-1/4", clamp to turque tube	1
34	92- 10	WASHER - med. sect. lock (5/8")	1
35	13- 816	HHCS - 1/2" - 13 NC x 1", clamp to transmission cover	1
36	92- 8	WASHER - med. sect. lock (1/2")	1
37	D 27504	ADAPTER - 90°, swivel (Early production)	1
38	221- 1	PLUG - pipe, square head (1/8" NPT)	1
39	D 39474	ELBOW - adjustable, 90° (Late production)	1
40	221- 12	PLUG - pipe, square head (1/4" NPT)	1
41	218- 5008	SEAL - "O" ring	1
42	*D 28958	VALVE - hydraulic, control (Early production) Parts list page 85	1

\*NOTE: EARLY PRODUCTION Fork Lifts can be identified by their tapered pipe thread type fittings at hydraulic valve and cylinder ports.  
 LATE PRODUCTION Fork Lifts can be identified by their "O" ring type fittings at hydraulic valve and cylinder ports.

(Cont on next page)

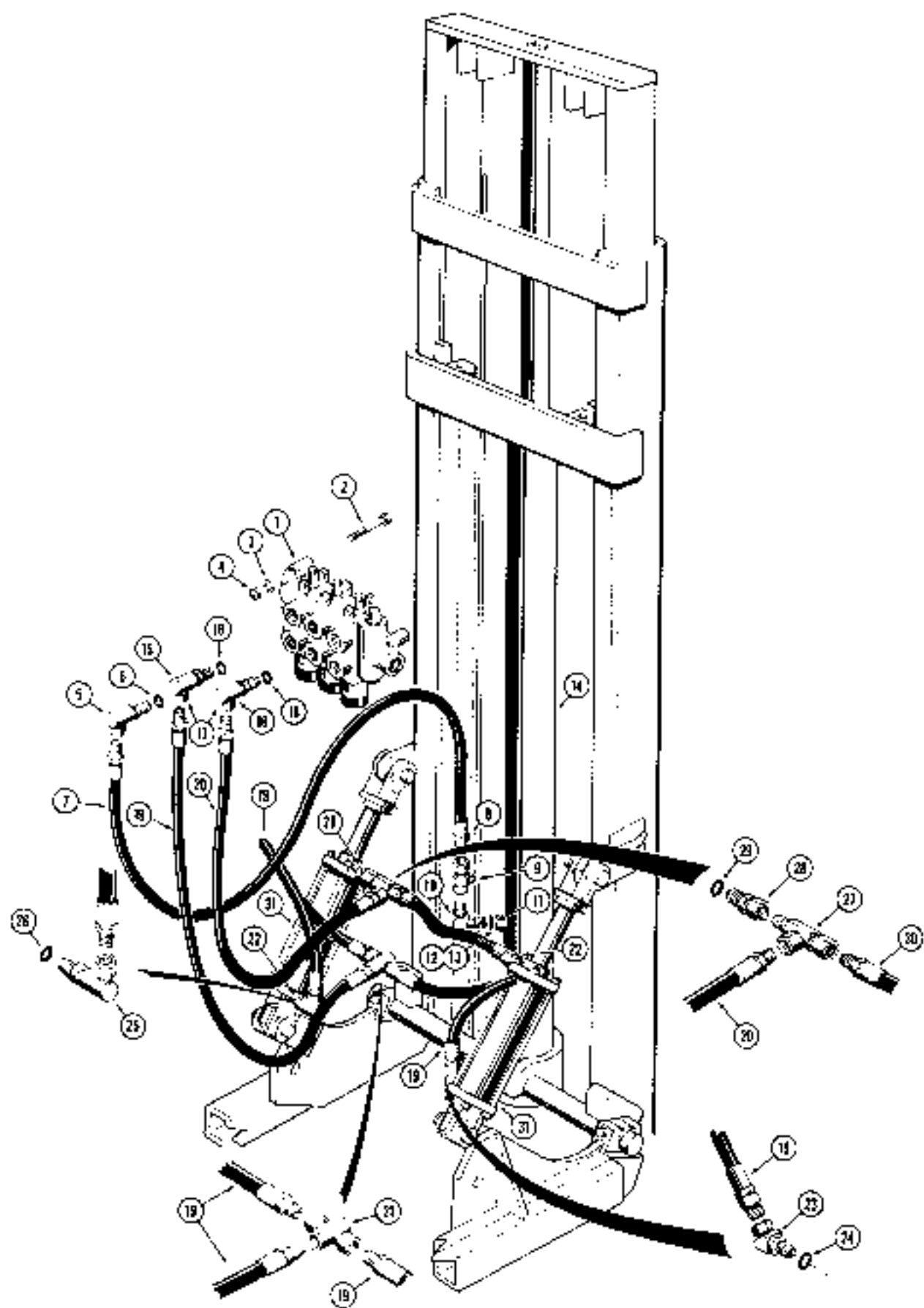




FORK LIFT PRIMARY HYDRAULICS

REF.	PART NO.	DESCRIPTION	REQ'D.
4D	39472	VALVE - hydraulic, control (Late production) Parts list page 87	1
43	13- 636	HNCS - 3/8" - 16 NC x 2-1/4"	3
44	92- 6	WASHER - med. sect. lock (3/8")	3
45	25- 108	NUT - hex. (3/8" - 16 NC)	3
46	D 33730	STEM - hose, 90° (Early production)	1
	D 39473	STEM - hose, 90° (Late production)	1
47	218- 5008	SEAL - "O" ring	1
48	221- 411	ELBOW - street, 90° (1/8" NPT)	1
49	D 29550	GAUGE - filter pressure	1
50	214- 258	CLAMP - hose	2
51	D 33736	HOSE - valve to filter (1" I.D. x 50" long)	1
52	D 24162	STEM - hose, 90° (At filter)	1
53	D 32254	FILTER - hydraulic oil	1
54	D 31874	HEAD - filter	1
	D 32212	ELEMENT KIT - filter	1
55	A 27894	SEAL - "O" ring	1
56	NSS	ELEMENT - filter	1
57	A 27577	SEAL - "O" ring	1
58	R 20645	HOUSING - filter	1
59	164- 71	SCREW - flat head, hex. socket (1/2" - 13 NC x 1")	2
60	D 33735	STEM - hose, straight	1
61	214- 258	CLAMP - hose	2
62	D 33737	HOSE - filter to reservoir (1" I.D. x 26-1/2" long)	1
63	D 24162	STEM - hose, 90° (At reservoir)	1

\*NOTE: EARLY PRODUCTION Fork Lifts can be identified by their tapered pipe thread type fitting at hydraulic valve and cylinder ports.  
 LATE PRODUCTION Fork Lifts can be identified by their "O" ring type fittings at hydraulic valve and cylinder ports.



LIFT AND TILT CYLINDER HYDRAULICS

REF.	PART NO.	DESCRIPTION	REQ'D.
1	*D 28968	VALVE - hydraulic, control (Early production) Parts list page 85	1
	*D 39472	VALVE - hydraulic, control (Late production) Parts list page 87	1
2	13- 636	RHCS - 3/8" - 16 NC x 2-1/4"	3
3	92- 6	WASHER - med. sect. lock (3/8")	3
4	25- 106	NUT - hex. (3/8" - 16 NC)	3

LIFT CYLINDER HYDRAULICS

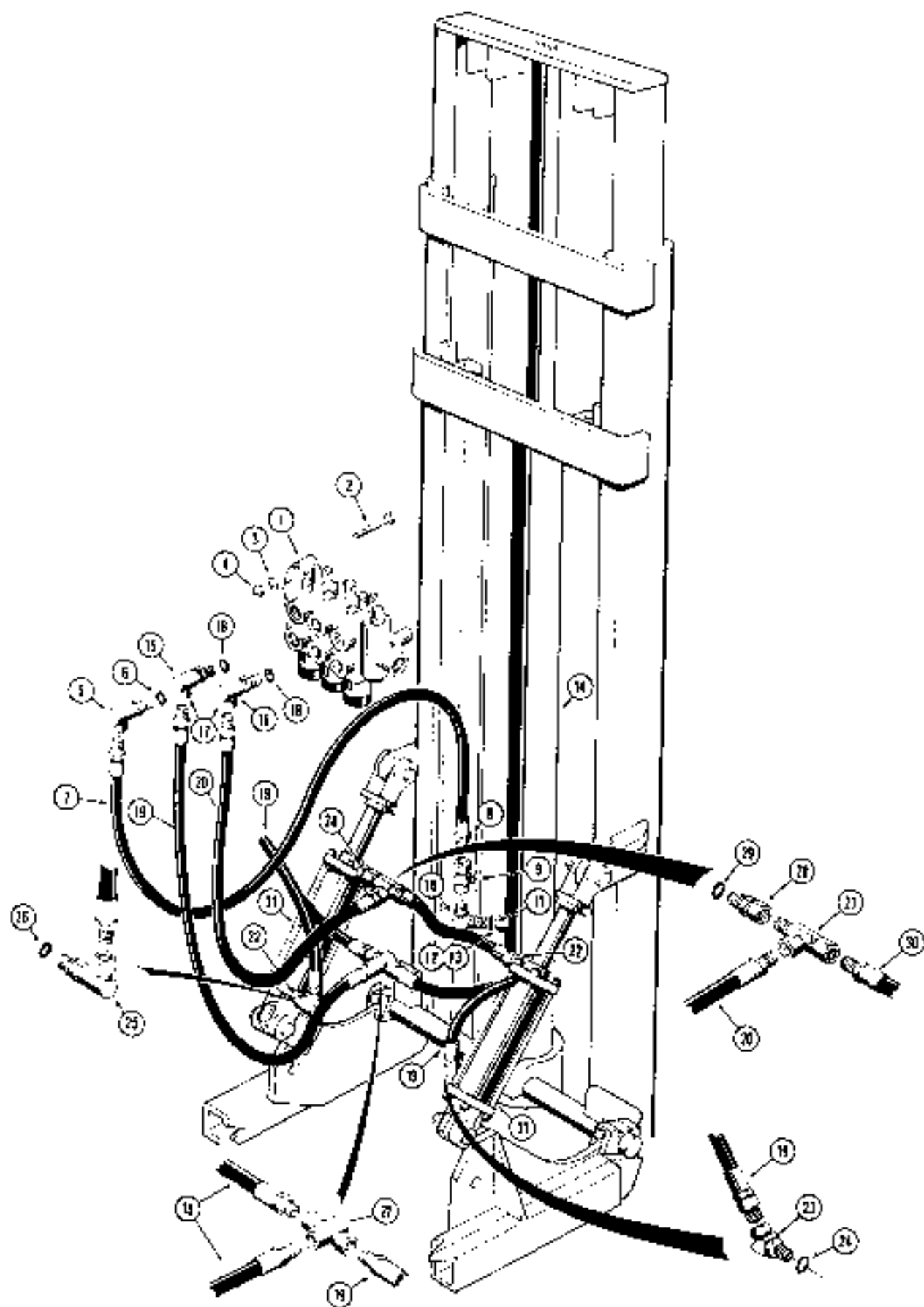
5	D 24170	ELBOW - 90°, adjustable (Early production)	1
	D 39460	ELBOW - 90°, adjustable (Late production)	1
6	218- 5007	SEAL - "O" ring (Use with D39460)	1
7	D 24169	HOSE - hydraulic, lower valve port to lift cylinder port (38" long)	1
8	D 28146	CONNECTOR - female, swivel (Early production only)	1
9	D 24177	VALVE - flow control (Early production)	1
	D 39459	VALVE - flow control (Late production)	1
10	D 33751	ELBOW - 90° (Early production)	1
	D 39458	ELBOW - 90°, adjustable (Late production)	1
11	218- 5007	SEAL - "O" ring	1
12	D 39475	ADAPTER - male (if used)	1
13	218- 5007	SEAL - "O" ring	1
14	D 24173	CYLINDER - hydraulic, lift (10' 6" standard mast) 3-1/2" I.D. x 63" stroke (Parts list page 57)	1
	D 36571	CYLINDER - hydraulic, lift (12' heavy duty mast) 3-1/2" I.D. x 72" stroke (Parts list page 57)	1
	60969	CYLINDER - hydraulic, lift (14' 3" standard and heavy duty masts) 3-1/2" I.D. x 85-1/2" stroke (Parts list page 59)	1
	D 24175	CYLINDER - hydraulic, lift (21' 6" standard mast) 4-3/4" I.D. x 85-1/2" stroke (Parts list page 59)	1

TILT CYLINDER HYDRAULICS

15	D 33746	ADAPTER - 90°, swivel (Upper port) Early production	1
16	D 33744	ADAPTER - 90°, (Restrictor) Lower port (Early production)	1
17	D 39462	ELBOW - 90°, adjustable (Upper and lower ports) Late production	2
18	218- 5007	SEAL - "O" ring	1
19	D 33748	HOSE - hydraulic, upper valve port to lower port of tilt cylinders (18" long)	3
20	D 33745	HOSE - hydraulic, lower valve port to upper port of tilt cylinders (32" long)	1
21	D 33747	TEE - female, swivel	1
22	221- 89	BUSHING - reducing, R.H. cylinder (1/2" NPT to 3/8" NPT) Early production	2
23	D 33754	ELBOW - street, 45° (Lower port R.H. cylinder) Early production	1
	D 39463	ELBOW - adjustable, 45° (Lower port R.H. cylinder) Late production	1
24	218- 5008	SEAL - "O" ring	1
25	D 33746	ADAPTER - 90° (Lower port L.H. cylinder) Early production	1

\*NOTE: EARLY PRODUCTION Fork Lifts can be identified by their tapered pipe thread type fittings at hydraulic control valve and cylinder ports. LATE PRODUCTION Fork Lifts can be identified by their "O" ring type fittings at hydraulic control valve and cylinder ports.

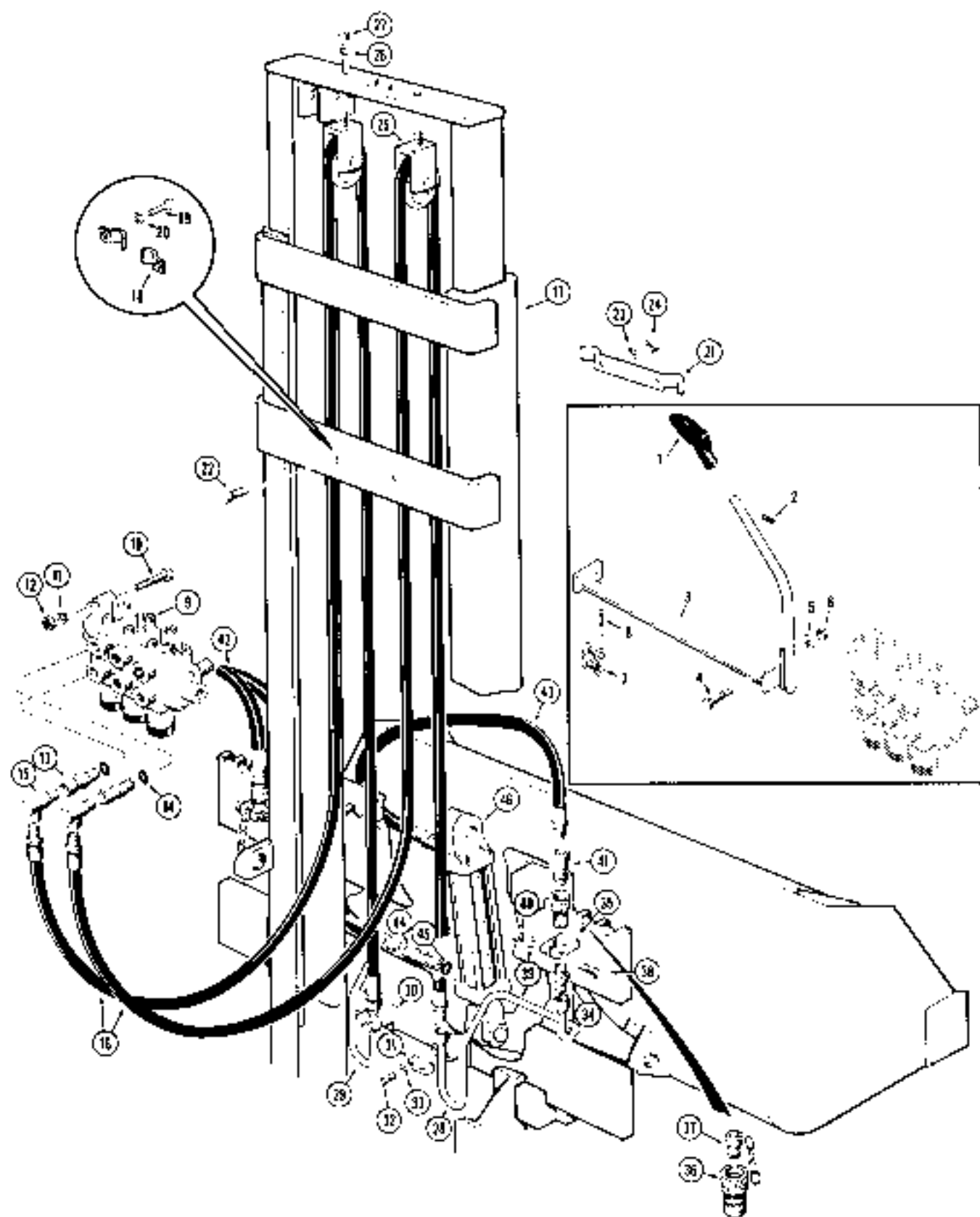
(Cont on next page)



LIFT AND TILT CYLINDER HYDRAULICS

REF.	PART NO.	DESCRIPTION	REQ'D.
<b>TILT CYLINDER HYDRAULICS</b>			
D	39461	ELBOW - 90°, adjustable (Lower port L.H. cylinder) Late production . . . . .	1
26	218- 5006	SEAL - "O" ring . . . . .	1
27	D 33750	TEE - adapter, restrictor (Use with D24002, 3-1/2" I.D. and D24080, 3" I.D. tilt cylinders) Early production . . . . .	1
D	39190	TEE - restrictor (Use with D39464, 3" I.D. tilt cylinders on 21'6" mast) Late production . . . . .	1
D	39191	TEE - restrictor (Use with D39465, 3-1/2" I.D. tilt cylinders on 10'6", 12' and 14'3" masts) Late production . . . . .	1
28	D 39192	ADAPTER - straight male, swivel (Upper port R.H. and L.H. tilt cylinders) Late production . . . . .	2
29	218- 5006	SEAL - "O" ring . . . . .	1
30	D 33749	HOSE - hydraulics, to upper port of tilt cylinder (27' long) . .	1
31	*D 27002	CYLINDER - hydraulic, tilt (3-1/2" I.D. x 10" stroke) Early production 10'6", 12' and 14'3" masts (Parts list page 65)	2
*D	39465	CYLINDER - hydraulic, tilt (3-1/2" I.D. x 10" stroke) Late production 10'6", 12' and 14'3" masts (Parts list page 73)	2
*D	24080	CYLINDER - hydraulic, tilt (3" I.D. x 6" stroke) Early production 21'6" mast (Parts list page 61) . . . . .	2
*D	39464	CYLINDER - hydraulic, tilt (3" I.D. x 6" stroke) Late production 21' 6" mast (Parts list page 71) . . . . .	2

\*NOTE: EARLY PRODUCTION Fork Lifts can be identified by their tapered pipe thread type fittings at hydraulic valve and cylinder ports.  
 LATE PRODUCTION Fork Lifts can be identified by their "O" ring type fittings at hydraulic valve and cylinder ports.

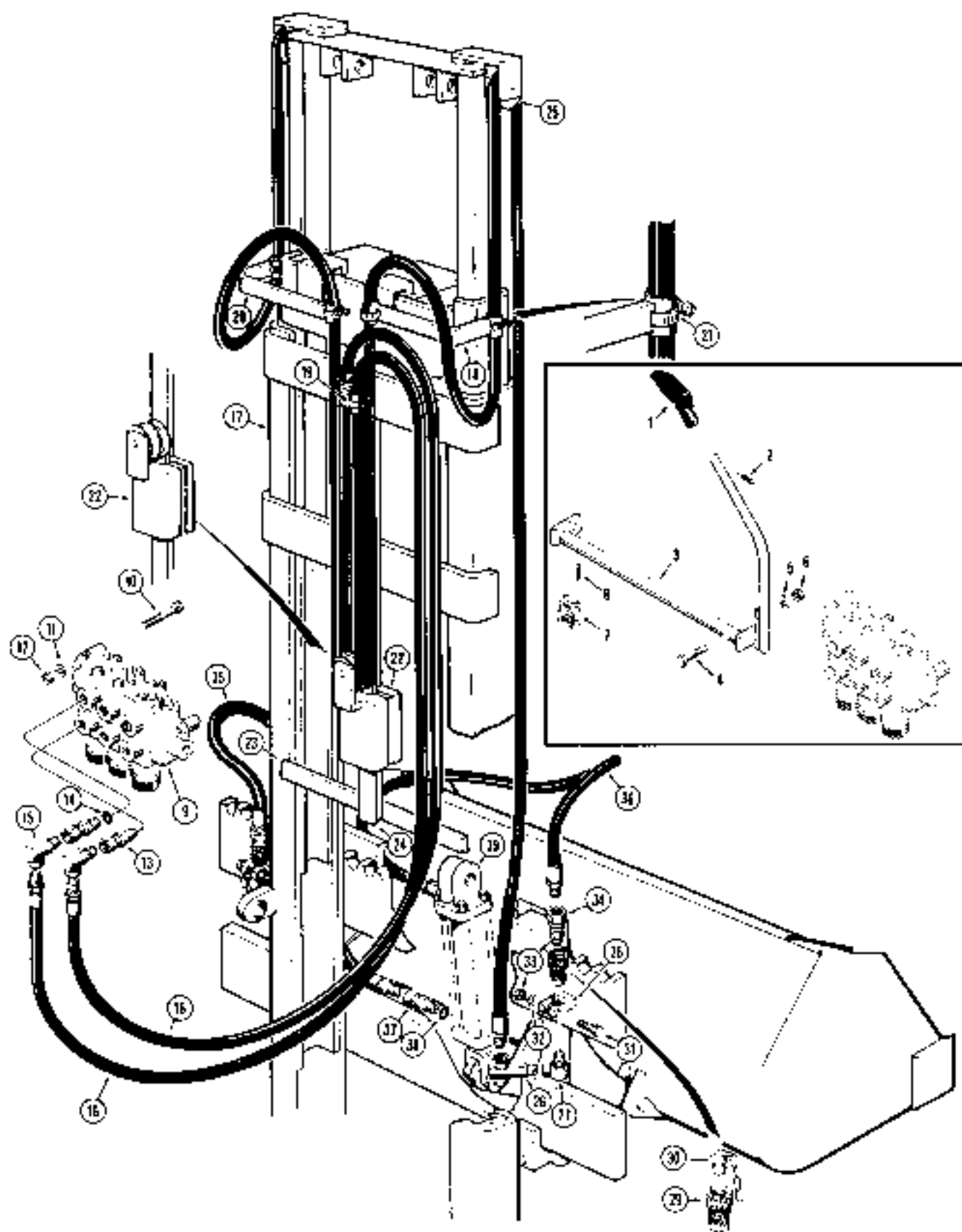


LOADER BUCKET HYDRAULICS  
STANDARD 10' 6" AND 14' 3" MASTS

REF.	PART NO.	DESCRIPTION	REQ'D.
	D 24288	LEVER ASSEMBLY - loader bucket control	1
1	D 24184	KNOB - lever	1
2	138- 57	PIN - roll, 1/8" dia. x 3/4"	1
3	NSS	LEVER - control	1
4	13- 632	HHCS - 3/8" - 16 NC x 2"	2
5	92- 6	WASHER - med. sect. lock (3/8")	2
6	25- 106	NUT - hex. (3/8" - 16 NC)	2
7	D 24140	LINK - connecting	1
8	132- 8	PIN - cotter, 1/16" dia. x 5/8"	2
9	*D 28968	VALVE - hyd., control (Early production) Parts list 85	1
	*D 39472	VALVE - hyd., control (Late production) Parts list page 87	1
10	13- 636	HHCS - 3/8" - 16 NC x 2-1/4"	3
11	92- 6	WASHER - med. sect. lock (3/8")	3
12	25- 106	NUT - hex. (3/8" - 16 NC)	3
13	D 39479	ADAPTER - straight male (Late production)	2
14	218- 5007	SEAL - "O"ring	1
15	D 24170	ADAPTER - 90°, swivel	2
16	D 24280	HOSE - hydraulic, control valve to tube (Use with standard 10' 6" mast) 176" long	2
	D 24281	HOSE - hydraulic, control valve to tube (Use with standard 14' 3" mast) 216" long	2
17	REF.	MAST ASSEMBLY - standard (See pages 9 and 11 for options)	1
18	D 24282	CLAMP - hose (Early production)	2
19	61- 416	SCREW - hex. socket head (1/4" - 20 NC x 1")	2
20	92- 4	WASHER - med. sect. lock (1/4")	2
21	D 39478	CLAMP - hose (Late production)	1
22	13- 524	HHCS - 5/16" - 18 NC x 1-1/2"	2
23	92- 5	WASHER - med. sect. lock (5/16")	2
24	25- 105	NUT - hex. (5/16" - 18 NC)	2
25	D 24277	PULLEY - hose guide	2
26	92- 6	WASHER - med. sect. lock (3/8")	1
27	25- 106	NUT - hex. (3/8" - 16 NC)	1
28	D 24283	TUBE - hydraulic, to quick disconnect, R.H.	1
29	D 24284	TUBE - hydraulic, to quick disconnect, L.H.	1
	D 24256	BRACKET ASSEMBLY - tubing	2
30	D 24278	BRACKET - tubing (Welded to lower backing plate)	1
31	D 24229	CLAMP - tubing	1
32	13- 416	HHCS - 1/4" - 20 NC x 1"	4
33	92- 4	WASHER - med. sect. lock (1/4")	4
34	D 24285	FITTING - tube, male (Special)	2
35	D 24279	BRACKET - quick disconnect (Welded to upper backing plate)	2
36	D 24286	COUPLING - quick disconnect (Female half)	2
37	D 24287	CAP - dust, quick disconnect	2
38	13- 540	HHCS - 5/16" - 18 NC x 2-1/2"	2
39	92- 5	WASHER - med. sect. lock (5/16")	2
40	25- 105	NUT - hex. (5/16" - 18 NC)	2
41	D 24262	COUPLING - quick disconnect (Male half)	2
42	D 24259	HOSE - hydraulic, coupling to lower port (36" long)	1-2
43	D 24260	HOSE - hydraulic, coupling to upper port (32" long) When stock is exhausted use D24259	1
44	D 39471	CONNECTOR - straight male (Use with D39464 cylinder)	2
45	218- 5006	SEAL - "O"ring	1
46	*D 24080	CYLINDER - hydraulic, loader bucket (3" I.D. x 6" stroke) Early production (Parts list page 61)	1
	*D 39464	CYLINDER - hydraulic, loader bucket (3" I.D. x 6" stroke) Late production (Parts list page 71)	1

\*NOTE: EARLY PRODUCTION has NPT fittings; LATE PRODUCTION has "O"ring fittings at hydraulic valve and cylinder ports.

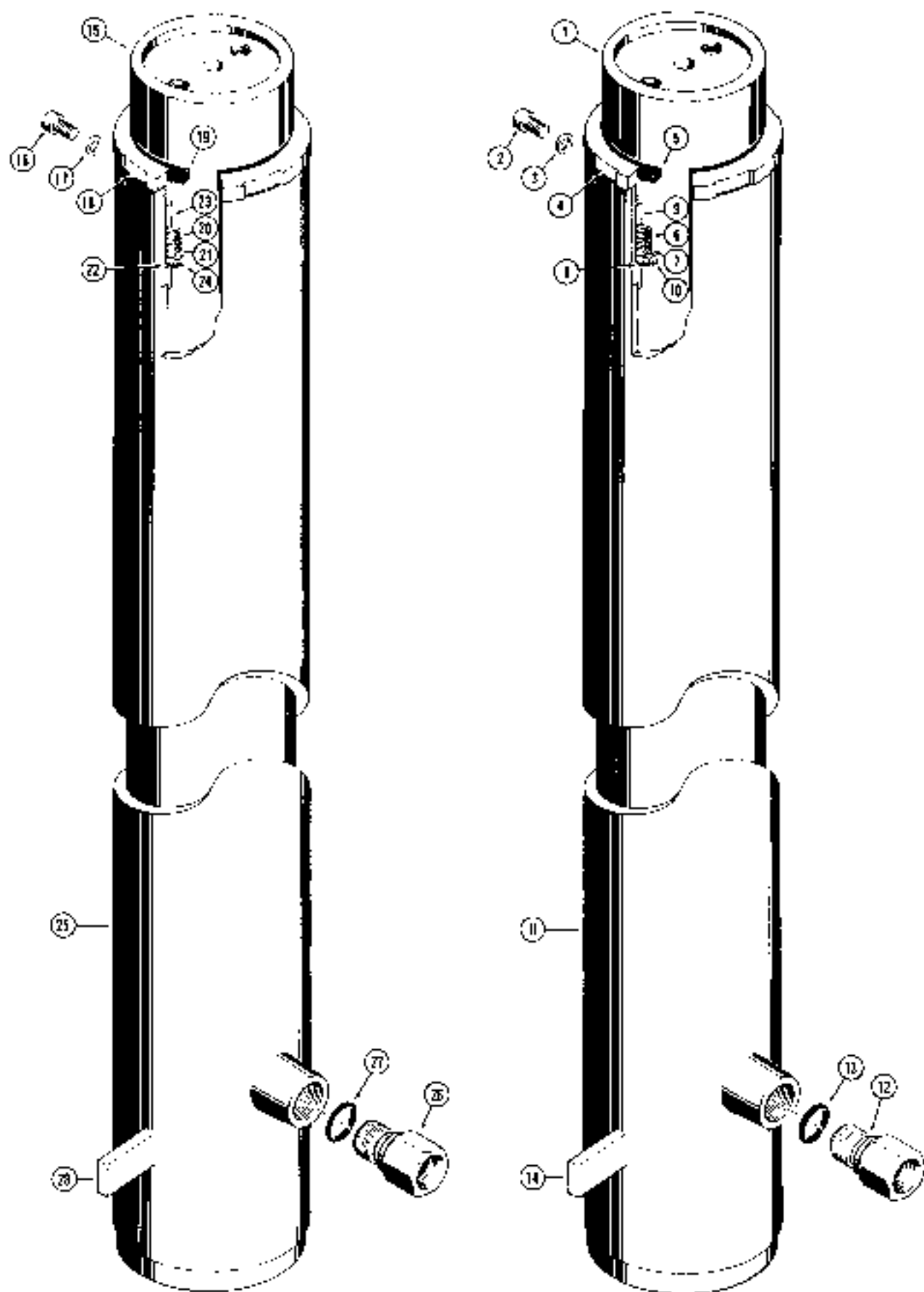




LOADER BUCKET HYDRAULICS  
STANDARD 21' 6" MAST

REF.	PART NO.	DESCRIPTION	REQ'D.
	D 24288	LEVER ASSEMBLY - loader bucket control	1
1	D 24184	KNOB - lever	1
2	138- 57	PIN - roll, 1/8" dia. x 3/4"	1
3	NSS	LEVER - control	1
4	13- 632	HHCS - 3/8" - 16 NC x 2"	2
5	92- 6	WASHER - med. sect. lock (3/8")	2
6	25- 106	NUT - hex. (3/8" - 16 NC)	2
7	D 24140	LINK - connecting	1
8	132- 6	PIN - cotter, 1/16" dia. x 5/8"	2
9	*D 26968	VALVE - hydraulic, control (Early production) Parts list page 65	1
	*D 39472	VALVE - hydraulic, control (Late production) Parts list page 87	1
10	13- 638	HHCS - 3/8" - 16 NC x 2-1/4"	3
11	92- 6	WASHER - med. sect. lock (3/8")	3
12	25- 106	NUT - hex. (3/8" - 16 NC)	3
13	D 39479	ADAPTER - straight male (Late production)	2
14	218- 5007	SEAL - "O"ring	1
15	D 24170	ADAPTER - 90°, swivel	2
16	D 24300	HOSE - hydraulic, control valve to quick disconnect (332" long)	2
17	D 24238	MAST ASSEMBLY - standard 21' 6" mast (See parts list pages 13 and 15 for component parts)	1
18	D 24297	BRACKET - hose, R.H.	1
19	D 24298	BRACKET - hose, center	1
20	D 24296	BRACKET - hose, L.H.	1
21	214- 253	CLAMP - hose	6
22	D 24292	COUNTERWEIGHT - hydraulic hose	1
23	D 24299	SUPPORT - counterweight guide	1
24	D 24293	GUIDE - counterweight	1
25	D 24294	PULLEY - hose guide	2
26	D 24295	ADAPTER - 90°, swivel	2
27	217- 22	ELBOW - street, 90°	2
28	D 24279	BRACKET - quick disconnect (Welded to upper backing plate)	2
29	D 24286	COUPLING - quick disconnect (Female half)	2
30	D 24287	CAP - dust, quick disconnect	2
31	13- 540	HHCS - 5/16" - 18 NC x 2-1/2"	2
32	92- 5	WASHER - med. sect. lock (5/16")	2
33	25- 105	NUT - hex. (5/16" - 18 NC)	2
34	D 24262	COUPLING - quick disconnect (Male half)	2
35	D 24259	HOSE - hydraulic, coupling to lower port (38" long)	1-2
36	D 24260	HOSE - hydraulic, coupling to upper port (32" long) When stock is exhausted, use D24259	1
37	D 39471	CONNECTOR - straight male (Late production) Use with D39464 cylinder	2
38	218- 5006	SEAL - "O"ring	1
39	*D 24060	CYLINDER - hydraulic, loader bucket (3" I.D. x 6" stroke) Early production (Parts list page 61)	1
	*D 39464	CYLINDER - hydraulic, loader bucket (3" I.D. x 6" stroke) Late production (Parts list page 71)	1

\*NOTE: EARLY PRODUCTION Fork Lifts can be identified by their tapered pipe thread type fittings at hydraulic valve and cylinder ports.  
LATE PRODUCTION Fork Lifts can be identified by their "O"ring type fittings at hydraulic valve and cylinder ports.



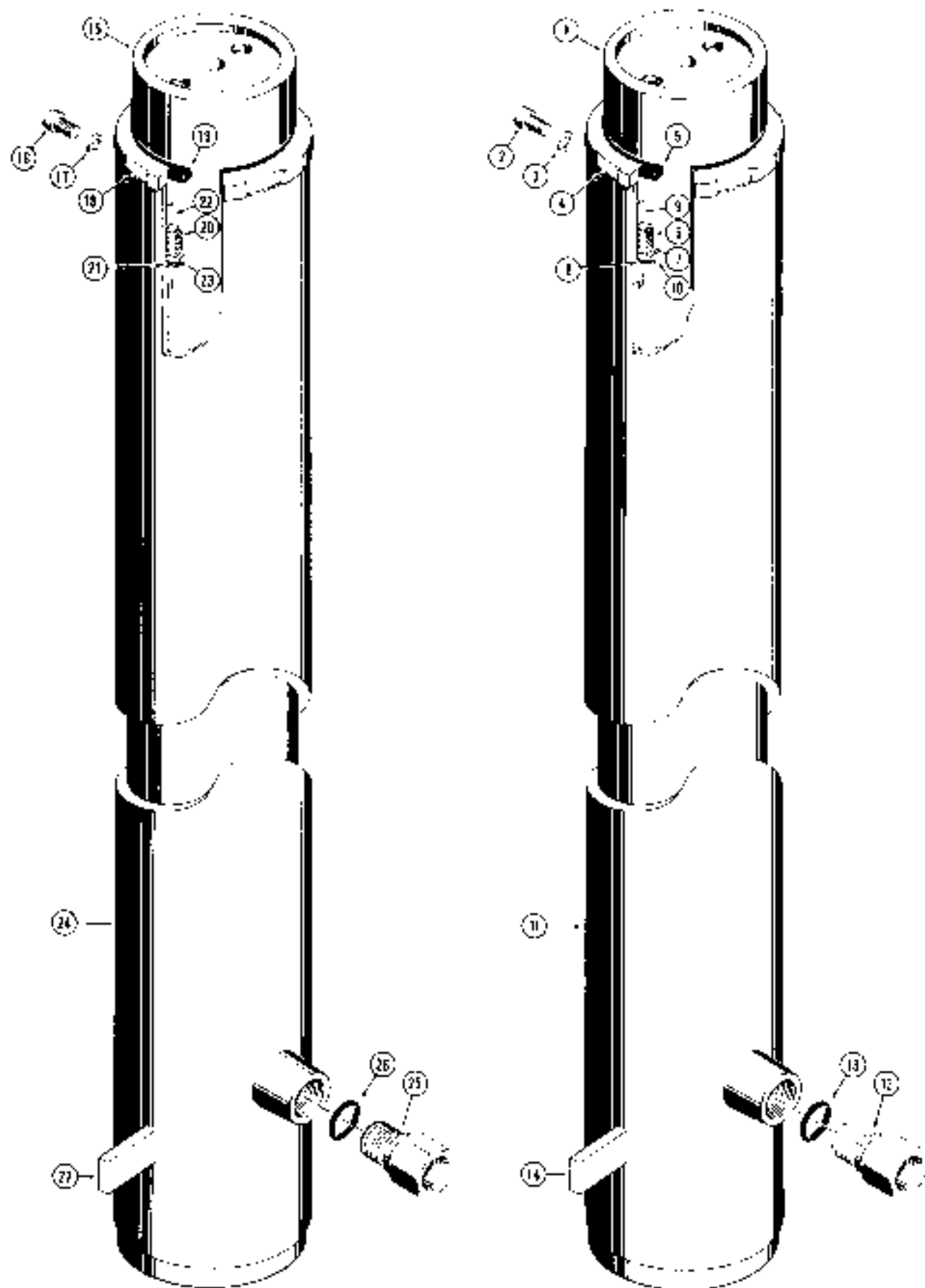
**MODEL 530 CONSTRUCTION KING FORK LIFT 57**

**D24173 LIFT CYLINDER**

REF.	PART NO.	DESCRIPTION	REQ'D.
D	24173	CYLINDER - hydraulic, lift (3-1/2" I.D. x 63" stroke)	
		Standard 10' 6" mast . . . . .	1
1	NSS	PISTON - tube assembly . . . . .	1
2	178- 426	SCREW - bleeder, hex. socket head (1/4" - 20 NC x 3/8")	1
3	D 24252	WASHER - bleeder screw, special . . . . .	1
4	80955	NUT - cylinder packing . . . . .	1
D	28327	KIT - packing . . . . .	1
5	NSS	RING - wiper . . . . .	1
6	NSS	PACKING - chevron, fabric . . . . .	3
7	NSS	PACKING - chevron, leather . . . . .	2
8	NSS	RING - wire, spring . . . . .	1
9	D 28337	SLEEVE - packing, upper . . . . .	1
10	80954	RING - packing, lower . . . . .	1
11	NSS	TUBE - cylinder . . . . .	1
12	D 39475	CONNECTOR - male (if used) . . . . .	1
13	218- 5007	SEAL - "O"ring . . . . .	1
14	D 28094	RETAINER - lift cylinder . . . . .	1

**D36571 LIFT CYLINDER**

REF.	PART NO.	DESCRIPTION	REQ'D.
D	36571	CYLINDER - hydraulic, lift (3-1/2" I.D. x 72" stroke)	
		Heavy duty 12' mast . . . . .	1
15	NSS	PISTON - tube assembly . . . . .	1
16	178- 426	SCREW - bleeder, hex. socket head (1/4" - 20 NC x 3/8")	1
17	D 24252	WASHER - bleeder screw, special . . . . .	1
18	80955	NUT - cylinder packing . . . . .	1
D	28327	KIT - packing . . . . .	1
19	NSS	RING - wiper . . . . .	1
20	NSS	PACKING - chevron, fabric . . . . .	3
21	NSS	PACKING - chevron, leather . . . . .	2
22	NSS	RING - wire, spring . . . . .	1
23	D 28337	SLEEVE - packing, upper . . . . .	1
24	80954	RING - packing, lower . . . . .	1
25	NSS	TUBE - cylinder . . . . .	1
26	D 39475	CONNECTOR - male (if used) . . . . .	1
27	218- 5007	SEAL - "O"ring . . . . .	1
28	E 28094	RETAINER - lift cylinder . . . . .	1



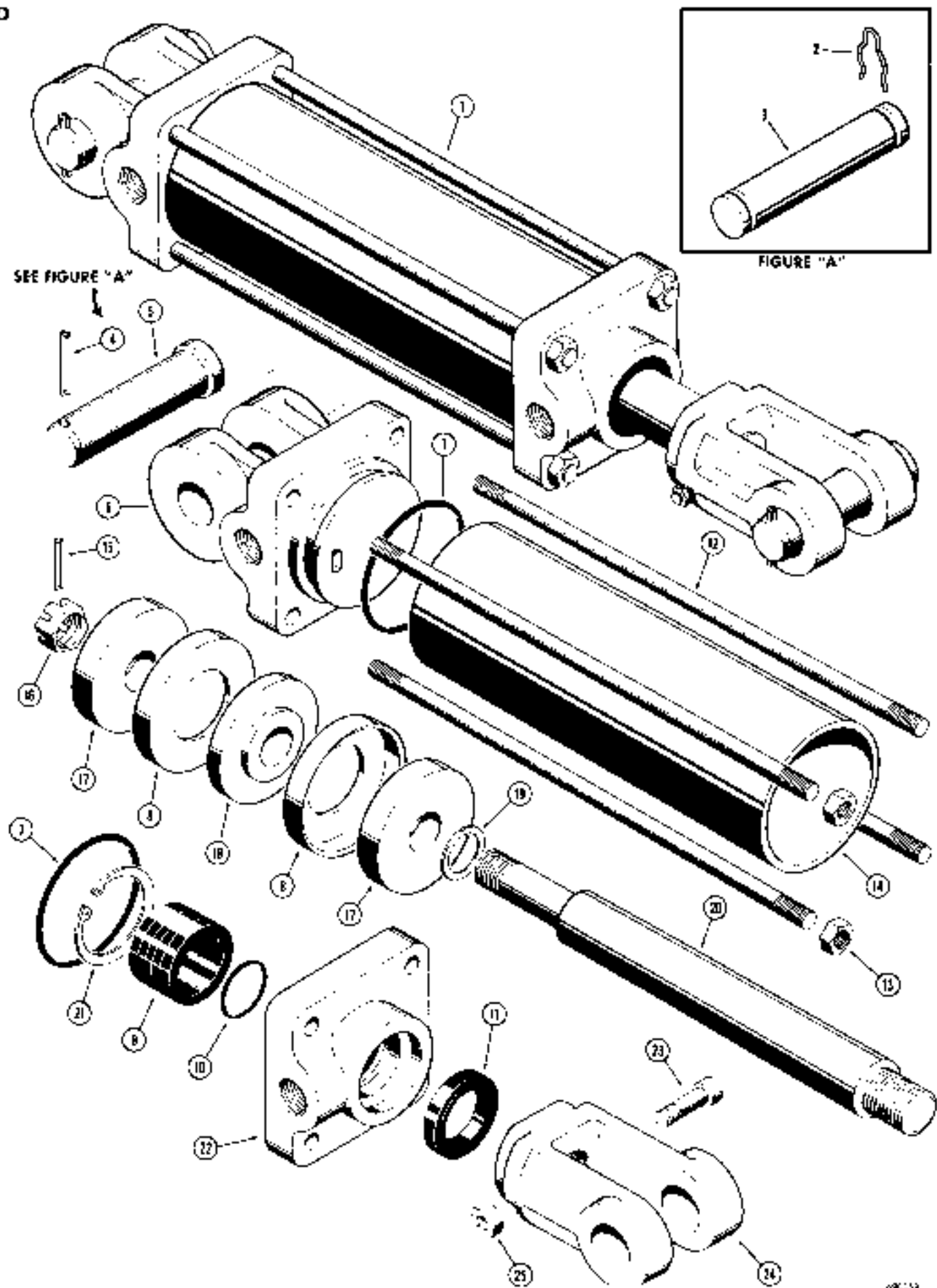
**MODEL 530 CONSTRUCTION KING FORK LIFT 59**

**60969 LIFT CYLINDER**

REF.	PART NO.	DESCRIPTION	REQ'D.
	60969	CYLINDER - hydraulic, lift (3-1/2" I.D. x 85-1/2" stroke)	
		14' 3" Standard and Heavy Duty masts . . . . .	1
1	NSS	PISTON - tube assembly . . . . .	1
2	178- 426	SCREW - bleeder, hex. socket head (1/4" - 20 NC x 3/8")	1
3	D 24252	WASHER - bleeder screw, special . . . . .	1
4	60955	NUT - cylinder packing . . . . .	1
	D 28327	KIT - packing . . . . .	1
5	NSS	RING - wiper . . . . .	1
6	NSS	PACKING - chevron, fabric . . . . .	3
7	NSS	PACKING - chevron, leather . . . . .	2
8	NSS	RING - wire, spring . . . . .	1
9	D 28337	SLEEVE - packing, upper . . . . .	1
10	60954	RING - packing, lower . . . . .	1
11	NSS	TUBE - cylinder . . . . .	1
12	D 39475	CONNECTOR - male (if used) . . . . .	1
13	218- 5007	SEAL - "O"ring . . . . .	1
14	D 26094	RETAINER - lift cylinder . . . . .	1

**024175 LIFT CYLINDER**

REF.	PART NO.	DESCRIPTION	REQ'D.
	D 24175	CYLINDER - hydraulic, lift (4-3/4" I.D. x 85-1/2" stroke)	
		Standard 21' 6" mast . . . . .	1
15	NSS	PISTON - tube assembly . . . . .	1
16	178- 426	SCREW - bleeder, hex. socket head (1/4" - 20 NC x 3/8")	1
17	D 24252	WASHER - bleeder screw, special . . . . .	1
18	D 32582	NUT - cylinder packing . . . . .	1
	D 32579	KIT - packing . . . . .	1
19	NSS	RING - wiper . . . . .	1
20	NSS	PACKING - chevron . . . . .	5
21	NSS	RING - wire, spring . . . . .	1
22	D 32581	SLEEVE - packing, upper . . . . .	1
23	D 32580	RING - packing, lower . . . . .	1
24	NSS	TUBE - cylinder . . . . .	1
25	D 39475	CONNECTOR - male (if used) . . . . .	1
26	218- 5007	SEAL - "O"ring . . . . .	1
27	D 26094	RETAINER - lift cylinder . . . . .	1

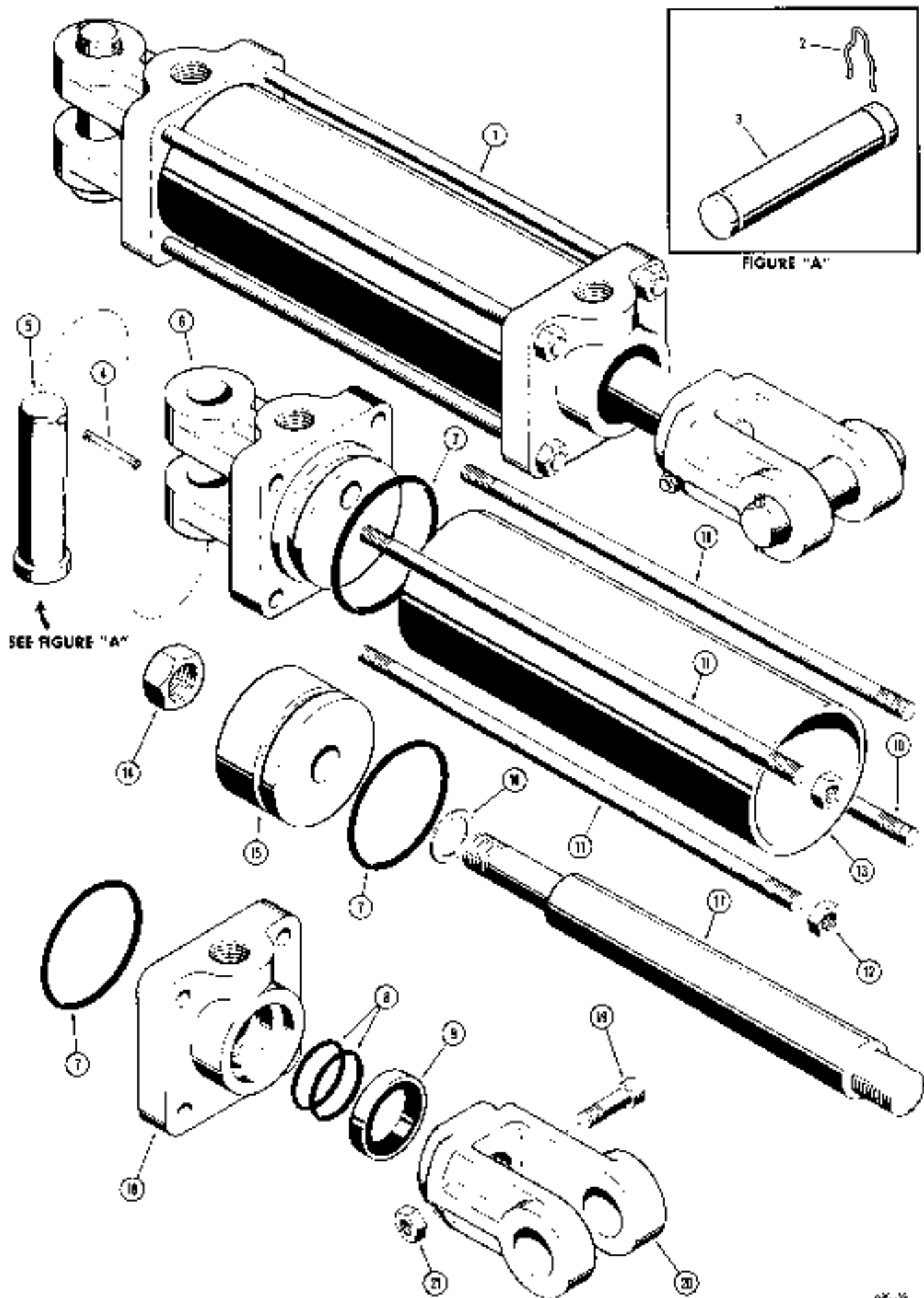


D24080 TILT AND LOADER BUCKET CYLINDER

REF.	PART NO.	DESCRIPTION	REQ'D.
1	*D 24080	CYLINDER - hydraulic, tilt and loader bucket (3" I.D. x 8" stroke) Used on early production* 21' 6" mast as tilt cylinder and on all early production loader bucket attachments	1 UAR
2	D 24084	CLIP - retaining, use with D24083 mounting pin	4
3	D 24083	PIN - cylinder mounting, when stock is exhausted use D36819	2
4	138- 142	PIN - roll, 1/4" dia. x 2"	2
5	D 36819	PIN - cylinder mounting	2
6	D 24081	CAP - cylinder, closed end	1
	D 24093	KIT - cylinder packing	1
7	NSS	SEAL - "O" ring, end cap	2
8	NSS	CUP - piston	2
9	NSS	PACKING - piston (Set of 5)	1
10	NSS	SEAL - "O" ring, piston rod	1
11	NSS	SEAL - rod wiper	1
12	D 24098	ROD - tie	4
13	25- 107	NUT - hex. (7/16" - 14 NC)	8
14	D 24085	TUBE - cylinder	1
15	138- 79	PIN - roll, 5/32" dia. x 1-1/4" (Use with 25-2312)	1
16	25- 1112	NUT - hex., piston rod (3/4" - 16 NF) If used	1
	25- 2312	NUT - hex., castle (3/4" - 16 NF) Use with 138-79	1
17	D 24089	SPACER - cup	2
18	D 24088	PISTON - cylinder	1
19	D 24091	GASKET - piston	1
20	D 24090	ROD - piston	1
21	D 24092	RING - retaining, packing	1
22	D 24094	CAP - cylinder, rod end	1
23	61- 628	SCREW - hex. socket head, 9/8" - 16 NC x 1-3/4"	1
24	D 24097	YOKE - piston rod	1
25	25- 106	NUT - hex. (3/8" - 16 NC)	1

\*NOTE: EARLY PRODUCTION Fork Lifts can be identified by their tapered pipe thread type fittings at hydraulic valve and cylinder ports.  
 LATE PRODUCTION Fork Lifts can be identified by their "O" ring type fittings at hydraulic valve and cylinder ports.



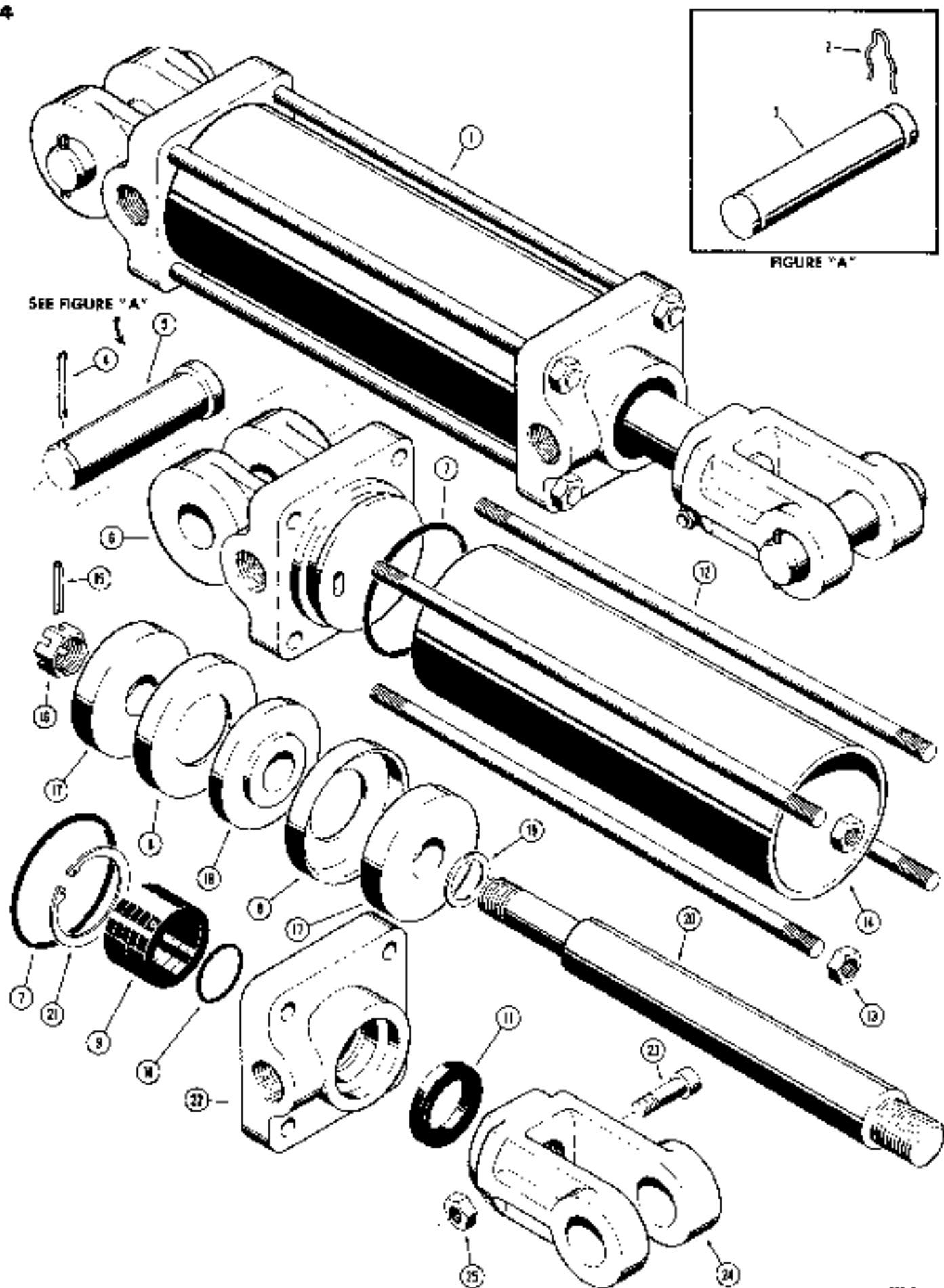


**MODEL 630 CONSTRUCTION KING FORK LIFT 63**

**D24102 SIDE SHIFT CYLINDER**

REF.	PART NO.	DESCRIPTION	RECD.
1	*D 24102	CYLINDER - hydraulic, side shift (2-1/2" I.D. x 6" stroke)	
		Early production . . . . .	1
2	D 24084	CLIP - retaining, use with D24083 mounting pin . . . . .	4
3	D 24083	PIN - cylinder mounting, when stock is exhausted, use (1)	
		138-142 and (1) D36819 . . . . .	2
4	138- 142	PIN - roll, 1/4" dia. x 2" . . . . .	2
5	D 36819	PIN - cylinder mounting . . . . .	2
6	D 24103	CAP - cylinder, closed end . . . . .	1
	D 24118	KIT - cylinder packing . . . . .	1
7	NSS	SEAL - "O"ring, end caps and piston . . . . .	3
8	NSS	SEAL - "O"ring, piston rod . . . . .	2
9	NSS	SEAL - rod wiper . . . . .	1
10	D 28959	ROD - tie (11" long) . . . . .	2
11	D 28147	ROD - tie, cylinder guard mounting (11-1/4" long) . . . . .	2
12	25- 106	NUT - hex. (3/8" - 16 NC) . . . . .	8
13	D 24109	TUBE - cylinder . . . . .	1
14	25- 1512	NUT - hex., jam (3/4" - 16 NF) . . . . .	1
15	D 24105	PISTON - cylinder . . . . .	1
16	D 24091	GASKET - piston . . . . .	1
17	D 24106	ROD - piston . . . . .	1
18	D 24112	CAP - cylinder, rod end . . . . .	1
19	61- 628	SCREW - hex. socket head, 3/8" - 16 NC x 1-3/4" . . . . .	1
20	D 24087	YOKE - piston rod . . . . .	1
21	25- 106	NUT - hex. (3/8" - 16 NC) . . . . .	1

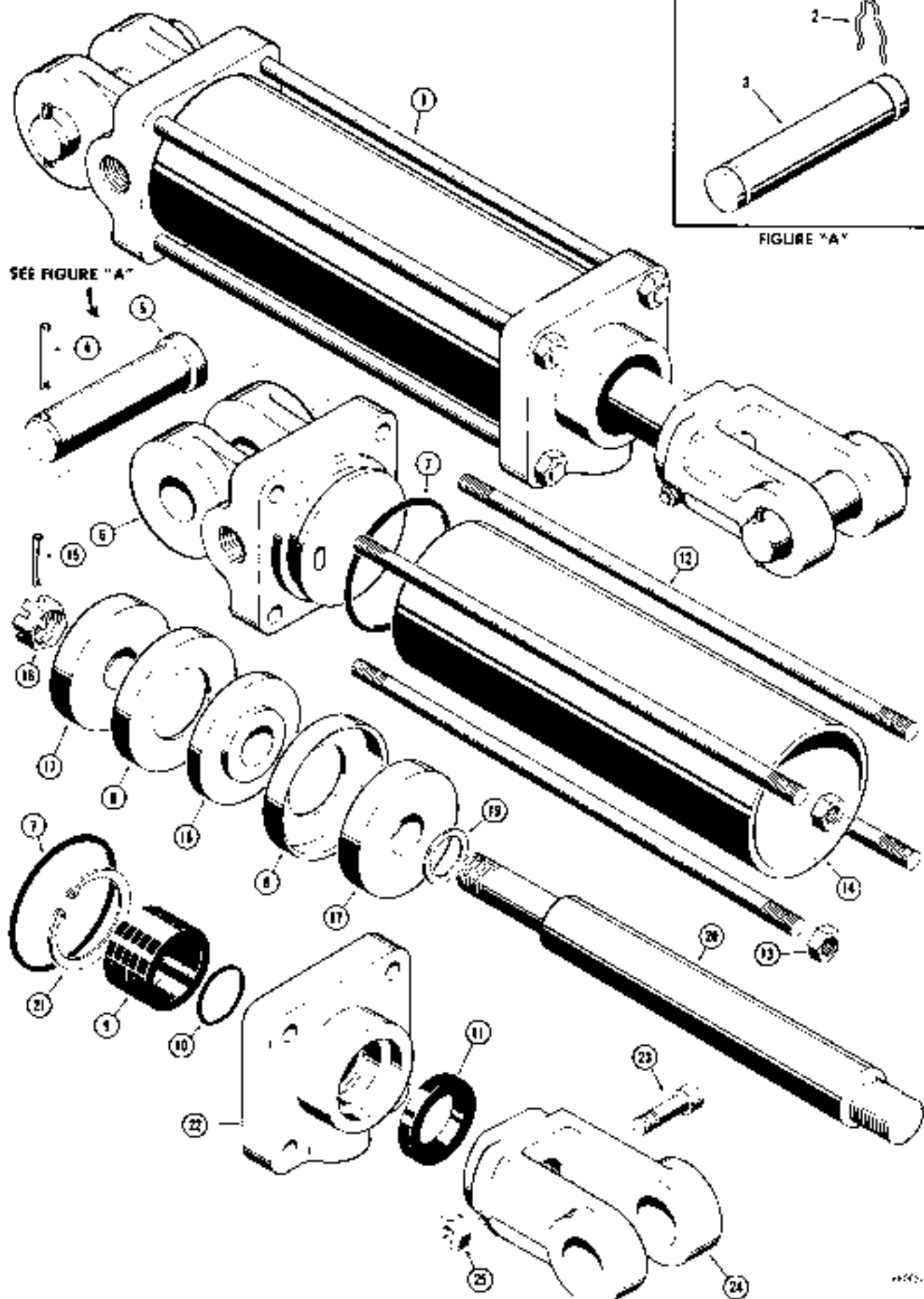
\*NOTE: EARLY PRODUCTION Fork Lifts can be identified by their tapered pipe thread type fittings at hydraulic valve and cylinder ports. LATE PRODUCTION Fork Lifts can be identified by their "O"ring type fittings at hydraulic valve and cylinder ports.



**MODEL 530 CONSTRUCTION KING FORK LIFT 65**  
**D27002 TILT AND LOG CLAMP CYLINDER**

REF.	PART NO.	DESCRIPTION	REQ'D.
1 *D	27002	CYLINDER - hydraulic, tilt or log clamp (3-1/2" I.D. x 10" stroke) Used on early production 10' 6", 12' and 14' 3" masts as tilt cylinder an on early production log clamp attachments . . . . .	UAB
2	D 24084	CLIP - retaining, use with D24083 mounting pin	4
3	D 24083	PIN - cylinder mounting, when stock is exhausted use (1) 138-142 and (1) D36819 . . . . .	2
4	138- 142	PIN - roll, 1/4" dia. x 2" . . . . .	2
5	D 36819	PIN - cylinder mounting . . . . .	2
6	D 24120	CAP - cylinder, closed end . . . . .	1
	D 24127	KIT - cylinder packing . . . . .	1
7	NSS	SEAL - "O"ring, end caps . . . . .	2
8	NSS	CUP - piston . . . . .	2
9	NSS	PACKING - piston (Set of 5) . . . . .	1
10	NSS	SEAL - "O"ring, piston rod . . . . .	1
11	NSS	SEAL - rod wiper . . . . .	1
12	D 24138	ROD - tie . . . . .	4
13	25- 108	NUT - hex. (1/2" - 13 NC) . . . . .	8
14	D 24130	TUBE - cylinder . . . . .	1
15	138- 79	PIN - roll, 5/32" dia. x 1-1/4" (Use with 25-2316) . . . . .	1
16	25- 1118	NUT - hex., piston rod (1" - 14 NF) If used . . . . .	1
	25- 2316	NUT - hex., castle (1" - 14 NF) Use with 138-79 . . . . .	1
17	D 24133	SPACER - cup . . . . .	2
18	D 24132	PISTON - cylinder . . . . .	1
19	D 24135	GASKET - piston . . . . .	1
20	D 28360	ROD - piston . . . . .	1
21	D 24092	RING - retaining, packing . . . . .	1
22	D 24137	CAP - cylinder, rod end . . . . .	1
23	61- 628	SCREW - hex. socket head, 3/8" - 16 NC x 1-3/4" . . . . .	1
24	D 24097	YOKE - piston rod . . . . .	1
25	25- 106	NUT - hex. (3/8" - 16 NC) . . . . .	1

\*NOTE: EARLY PRODUCTION Fork Lifts can be identified by their tapered pipe thread type fittings at hydraulic valve and cylinder ports.  
LATE PRODUCTION Fork Lifts can be identified by their "O" ring type fittings at hydraulic valve and cylinder ports.



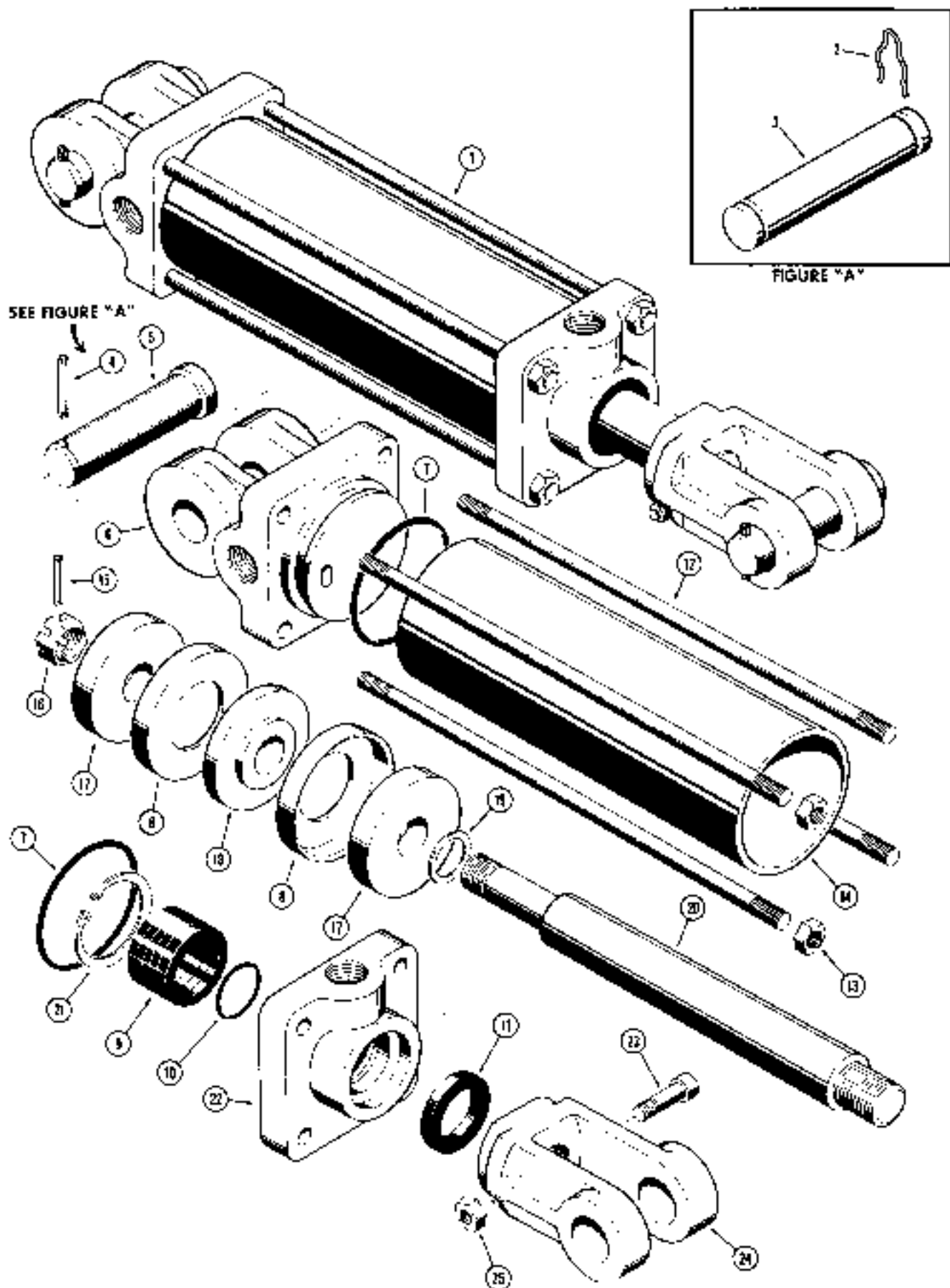
**MODEL 530 CONSTRUCTION KING FORK LIFT 67**

**D34438 LOG CLAMP CYLINDER**

REF.	PART NO.	DESCRIPTION	REQ'D.
1 *D	34438	CYLINDER - hydraulic, log clamp R.H. (3-1/2" I.D. x 10" stroke) Used on intermediate production log clamp attachments	1
2	D 24064	CLIP - retaining, use with D24063 mounting pin	4
3	D 24083	PIN - cylinder mounting, when stock is exhausted use (1) 138-142 and (1) D36819	2
4	138- 142	PIN - roll, 1/4" dia. x 2"	2
5	D 36819	PIN - cylinder mounting	2
6	D 24120	CAP - cylinder, closed end	1
	D 24127	KIT - cylinder packing	1
7	NSS	SEAL - "O"ring, end cap	2
8	NSS	CUP - piston	2
9	NSS	PACKING - piston (Set of 5)	1
10	NSS	SEAL - "O"ring, piston rod	1
11	NSS	SEAL - rod wiper	1
12	D 24138	ROD - tie	4
13	25- 108	NUT - hex, (1/2" - 13 NC)	8
14	D 24130	TUBE - cylinder	1
15	138- 79	PIN - roll, 5/32" dia. x 1-1/4"	1
16	25- 2316	NUT - hex., castle (1" - 14 NF)	1
17	D 24133	SPACER - cup	2
18	D 24132	PISTON - cylinder	1
19	D 24135	GASKET - piston	1
20	D 28360	ROD - piston	1
21	D 24092	RING - retaining, packing	1
22	D 24137	CAP - cylinder, rod end	1
23	81- 628	SCREW - hex. socket head. 3/8" - 16 NC x 1-3/4"	1
24	D 24097	YOKE - piston rod	1
25	25- 106	NUT - hex. (3/8" - 16 NC)	1

\*NOTE: EARLY AND INTERMEDIATE PRODUCTION Log Clamp Attachments can be identified by their tapered pipe thread type fittings at the cylinder ports.

LATE PRODUCTION Log Clamp Attachments can be identified by their "O"ring type fittings at the cylinder ports.



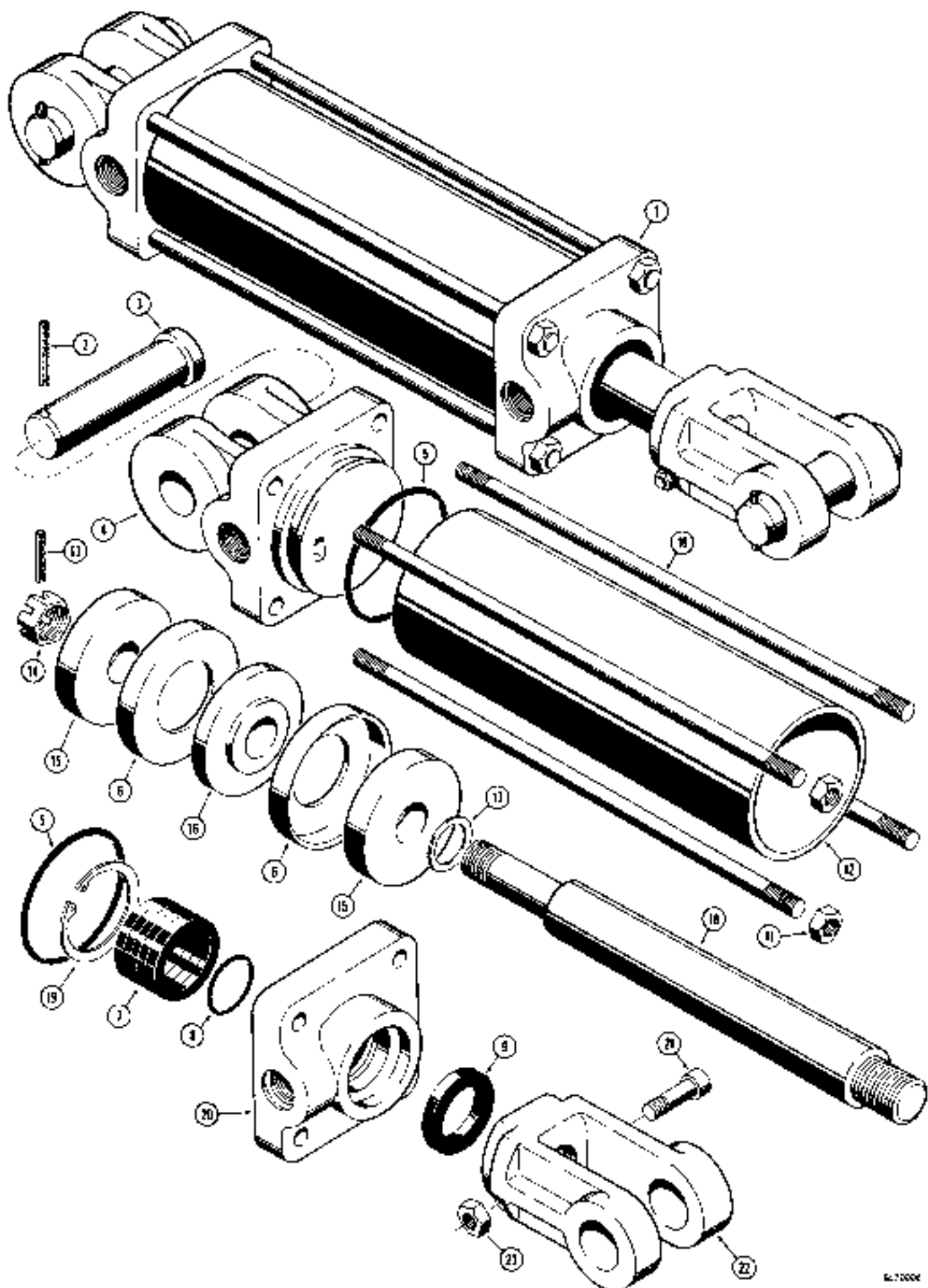
**MODEL 530 CONSTRUCTION KING FORK LIFT 89**

**D34439 LOG CLAMP CYLINDER**

REF.	PART NO.	DESCRIPTION	REQ'D.
1 *D	34439	CYLINDER - hydraulic, log clamp L.H. (3-1/2" I.D. x 10" stroke) Used on intermediate production log clamp attachments	1
2	D 24084	CLIP - retaining, use with D24083 mounting pin	4
3	D 24083	PIN - cylinder mounting, when stock is exhausted, use (1) 138-142 and (1) D36819	2
4	138- 142	PIN - roll, 1/4" dia. x 2"	2
5	D 36819	PIN - cylinder mounting	2
6	D 24120	CAP - cylinder, closed end	1
	D 24127	KIT - cylinder packing	1
7	NSS	SEAL - "O"ring, end cap	2
8	NSS	CLIP - piston	2
9	NSS	PACKING - piston (Set of 5)	1
10	NSS	SEAL - "O"ring, piston rod	1
11	NSS	SEAL - rod wiper	1
12	D 24138	ROD - tie	4
13	25- 106	NUT - hex. (1/2" - 13 NC)	8
14	D 24130	TUBE - cylinder	1
15	138- 79	PIN - roll, 5/32" dia. x 1-1/4"	1
16	25- 2316	NUT - hex., castle (1" - 14 NF)	1
17	D 24133	SPACER - cup	2
18	D 24132	PISTON - cylinder	1
19	D 24135	GASKET - piston	1
20	D 28360	ROD - piston	1
21	D 24092	RING - retaining, packing	1
22	D 24137	CAP - cylinder, rod end	1
23	61- 628	SCREW - hex. socket head, 9/8" - 16 NC x 1-3/4"	1
24	D 24097	YOKE - piston rod	1
25	25- 106	NUT - hex. (3/8" - 16 NC)	1

\*NOTE: EARLY AND INTERMEDIATE PRODUCTION Log Clamp Attachments can be identified by their tapered pipe thread type fittings at the cylinder ports.  
 LATE PRODUCTION Log Clamp Attachments can be identified by their "O"ring type fittings at the cylinder ports.





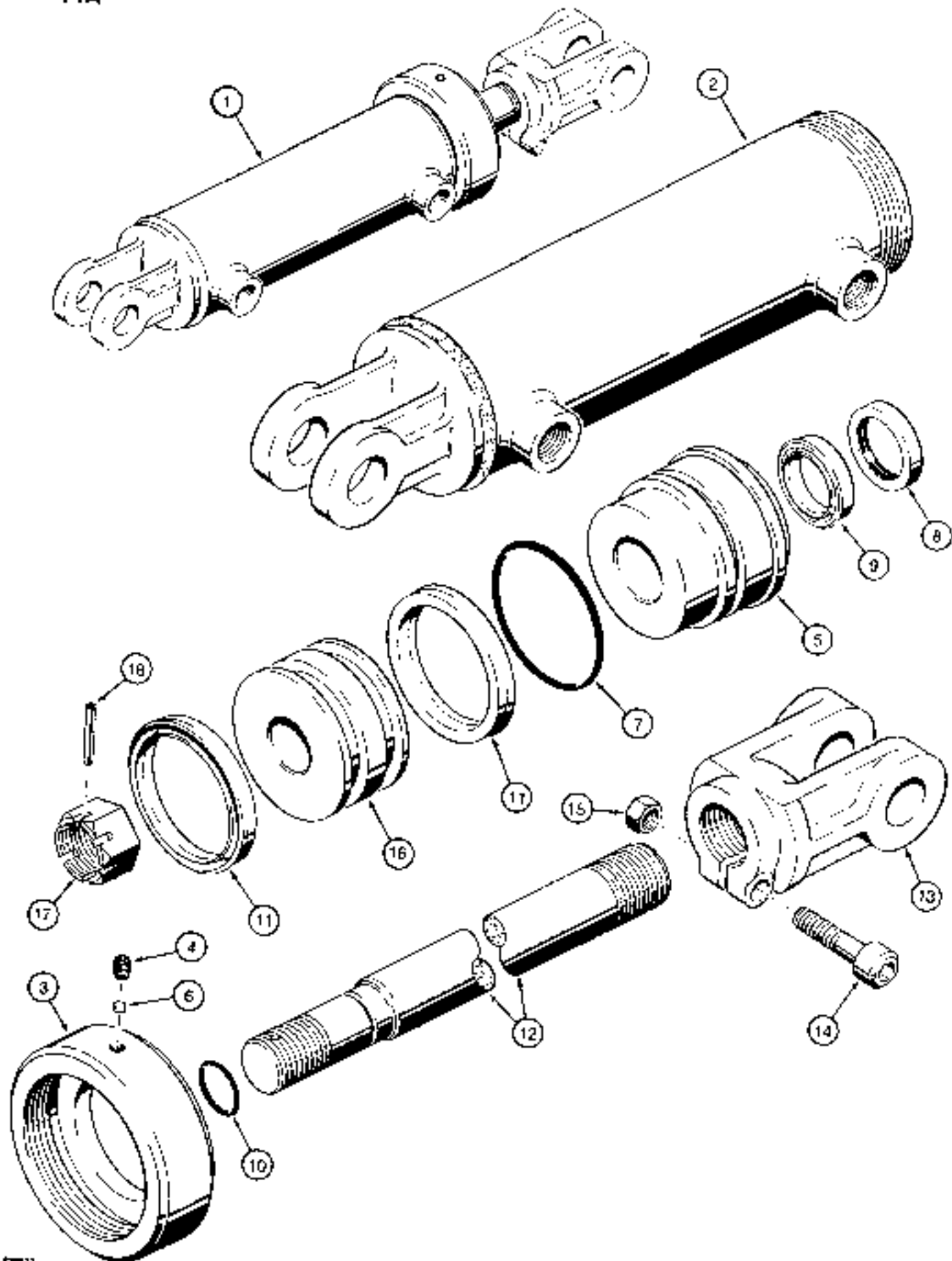
D39464 TILT AND LOADER BUCKET CYLINDER

REF.	PART NO.	DESCRIPTION	REQ'D
1	D 39464	CYLINDER - hydraulic, tilt or loader bucket 3" (76mm) ID x 6" (152mm) stroke, used on late production 21' 6" standard mast as tilt cylinder and on all late production loader bucket attachments as bucket cylinder	1-2
2	138- 142	ROLL PIN - 1/4" x 2"	2
3	D 36819	PIN - cylinder mounting	2
4	D 39467	CAP - cylinder, closed end	1
	D 24093	KIT - cylinder packing	1
5	NSS	O-RING - end cap	2
6	NSS	CLIP - piston	2
7	NSS	PACKING - piston, set of 5	1
8	NSS	O-RING - piston rod	1
9	NSS	WIPER - piston rod	1
10	C 24098	TIE ROD - cylinder	4
11	25- 107	NUT - hex, 7/16" - 14 NC	5
12	D 24095	TUBE - cylinder	1
13	138- 79	ROLL PIN - 5/32" x 1-1/4"	2
14	25- 9312	CASTLE NUT - hex, 3/4" - 16 NF	1
15	D 24089	SPACER - cup	2
16	D 24088	PISTON - cylinder	1
17	D 24091	GASKET - piston	1
18	D 24090	ROD - piston	1
19	D 24092	SNAP RING - retaining, packing	1
20	D 39466	CAP - cylinder, rod end	1
21	61- 628	SCREW - hex socket head, 3/8" - 16 NC x 1-3/4"	1
22	D 24097	CLEVIS - piston rod	1
23	25- 106	NUT - hex, 3/8" - 16 NC	1

**\*NOTE:** EARLY PRODUCTION Forklifts can be identified by their tapered pipe thread type fittings at hydraulic valve and cylinder ports.

LATE PRODUCTION Forklifts can be identified by their O-ring type fittings at hydraulic valve and cylinder ports.

71A

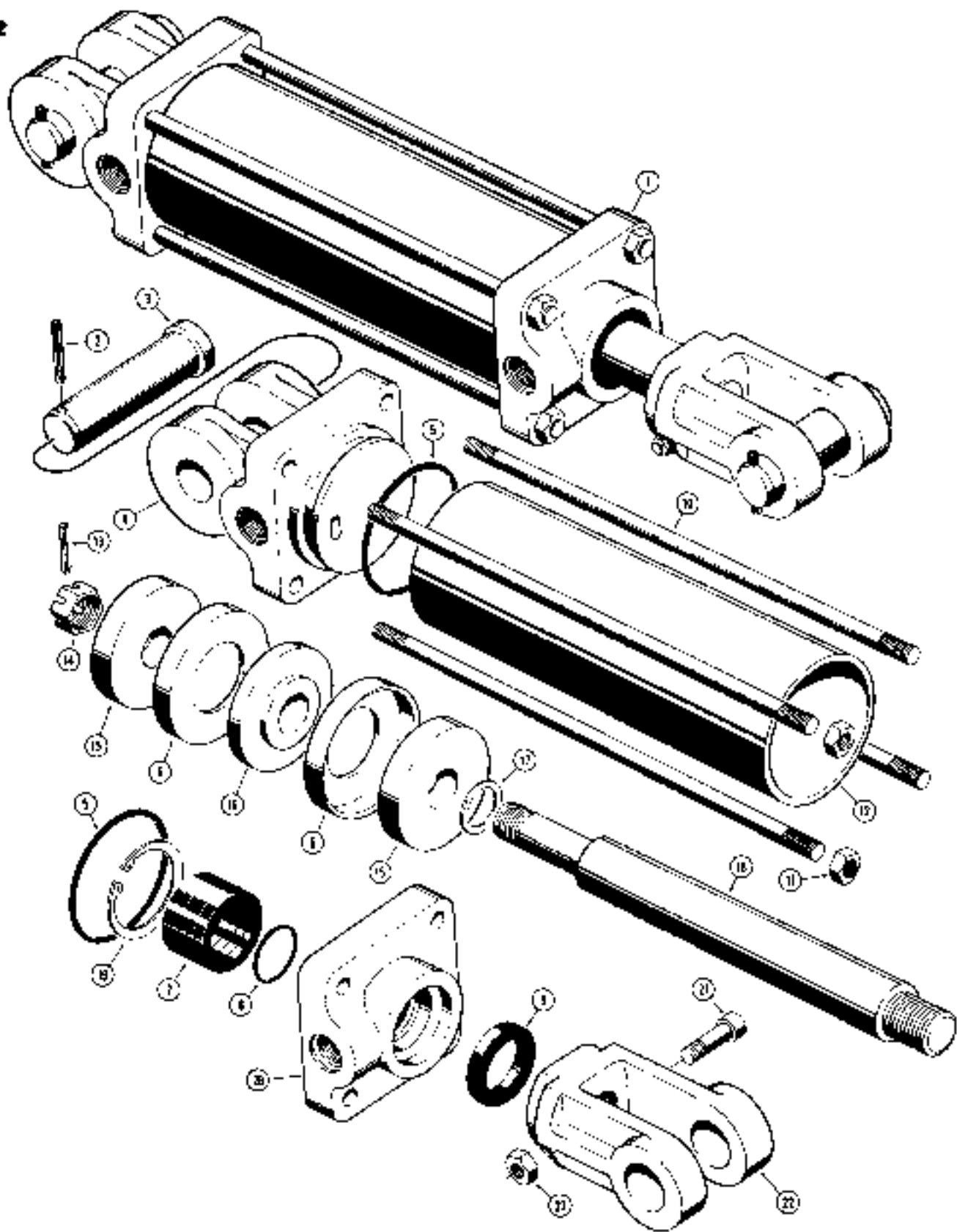


N7631 TILT AND LOADER BUCKET CYLINDER

REF.	PART NO.	DESCRIPTION	REQ'D
1	*N 7631	CYLINDER ASSEMBLY - hydraulic, tilt or loader bucket, 3" (76 mm) ID x 6" (152 mm) stroke, used on late production 21' 6" standard mast as tilt cylinder and on all late production loader bucket attachments as bucket cylinder	1-2
2	N 7632	TUBE - cylinder	1
3	T 55472	CAP - gland	1
4	178- 424	SET SCREW - hex socket, 1/4" - 20 NC x 1/4"	1
5	N 7634	GLAND - cylinder	1
	N 7637	KIT - seal	1
6	T 55088	PLUG - nylon	1
7	D 38755	O-RING - end cap, gland	1
8	B 17291	WIPER - piston rod	1
9	N 7639	U-CUP - gland	1
10	D 32114	O-RING - piston	1
11	N 7638	U-CUP - piston	2
12	N 7635	ROD - piston, 1-1/4" (32 mm) OD	1
13	D 61015	CLEVIS - piston rod	1
14	61- 628	SCREW - hex socket head, 3/8" - 16 NC x 1-3/4"	1
15	131- 52	NUT - hex, self-locking, 3/8" - 16 NC	1
16	N 7633	PISTON - double groove, cylinder	1
17	25- 2316	CASTLE NUT - hex, 1" - 14 NF	1
18	138- 2022	SPIROL PIN - 5/32" x 1-1/4"	1

**\*NOTE:** EARLY PRODUCTION Forklifts can be identified by their tapered pipe thread type fittings at hydraulic valve and cylinder ports.

LATE PRODUCTION Forklifts can be identified by their O-ring type fittings at hydraulic valve and cylinder ports



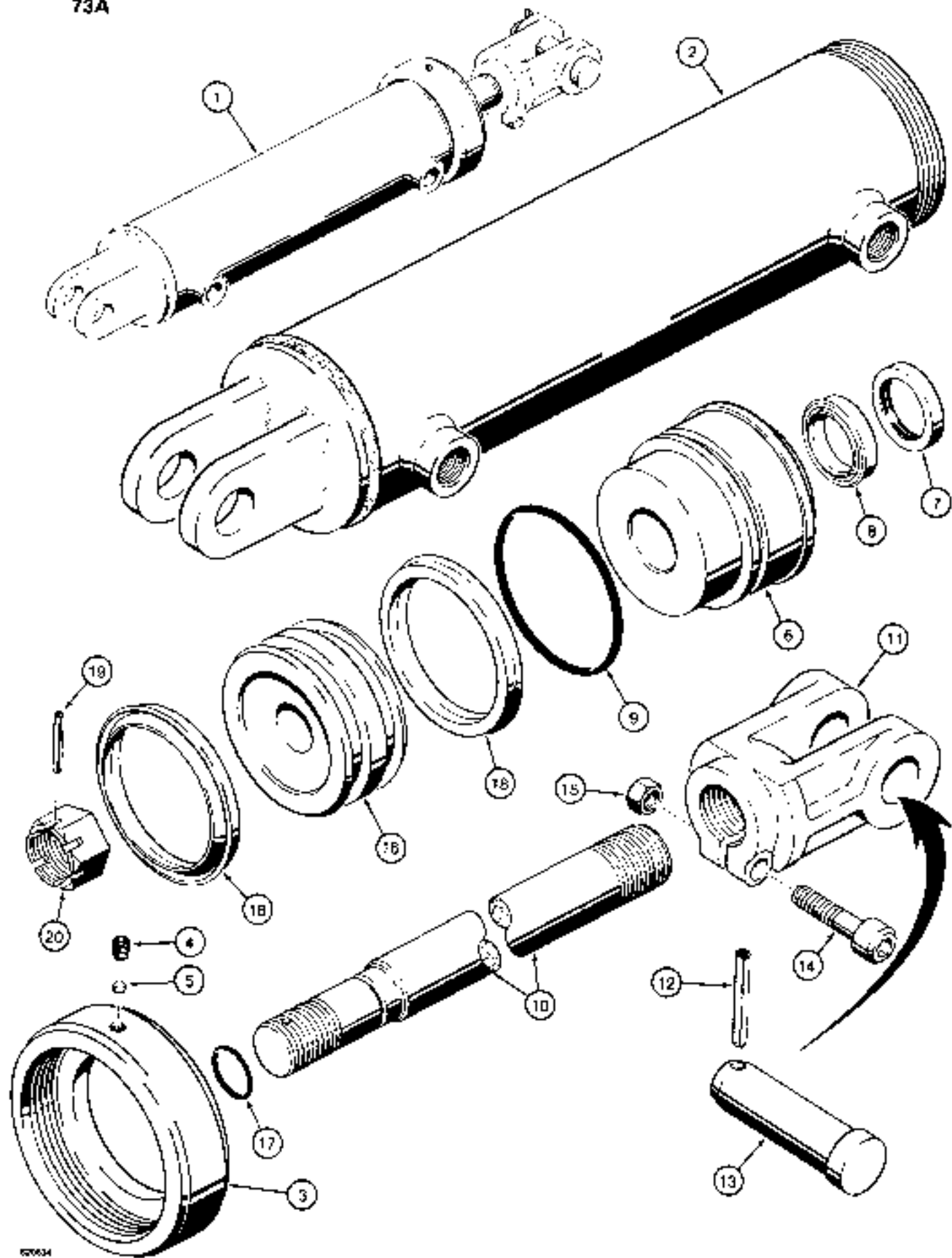
## D39465 TILT CYLINDER

REF	PART NO.	DESCRIPTION	REQ'D
1	*D 39465	CYLINDER ASSEMBLY - tilt, 3-1/2" (89 mm) ID x 10" (254 mm) stroke. used as tilt cylinder on all late production forklifts, except those with 21-5" standard mast	2
2	138- 142	ROLL PIN - 1/4" x 2"	2
3	D 36819	PIN - cylinder mounting	2
4	D 39469	CAP - cylinder, closed end	1
	D 24127	KIT - cylinder packing	1
5	NSS	O-RING - end cap	2
6	NSS	CUP - piston	2
7	NSS	PACKING - piston, set of 5	1
8	NSS	O-RING - piston rod	1
9	NSS	WIPER - piston rod	1
10	D 24138	TIE ROD - cylinder	4
11	25- 108	NUT - hex, 1/2" - 13 NC	8
12	D 24130	TUBE - cylinder	1
13	138- 79	ROLL PIN - 5/32" x 1-1/4"	1
14	25- 2316	CASTLE NUT - hex, 1" - 14 NF	1
15	D 24133	SPACER - cup	2
16	D 24132	PISTON - cylinder	1
17	D 24135	GASKET - piston	1
18	D 28360	ROD - piston	1
19	D 24082	SNAP RING - retaining, packing	1
20	D 39468	CAP - cylinder rod end	1
21	61- 628	SCREW - hex socket head, 3/8" - 16 NC x 1-3/4"	1
22	D 24087	CLEVIS - piston rod	1
23	25- 106	NUT - hex, 3/8" - 16 NC	1

**\*NOTE:** EARLY PRODUCTION Forklifts can be identified by their tapered pipe thread type fittings at hydraulic valve and cylinder ports.

LATE PRODUCTION Forklifts can be identified by their O-ring type fittings at hydraulic valve and cylinder ports.

73A



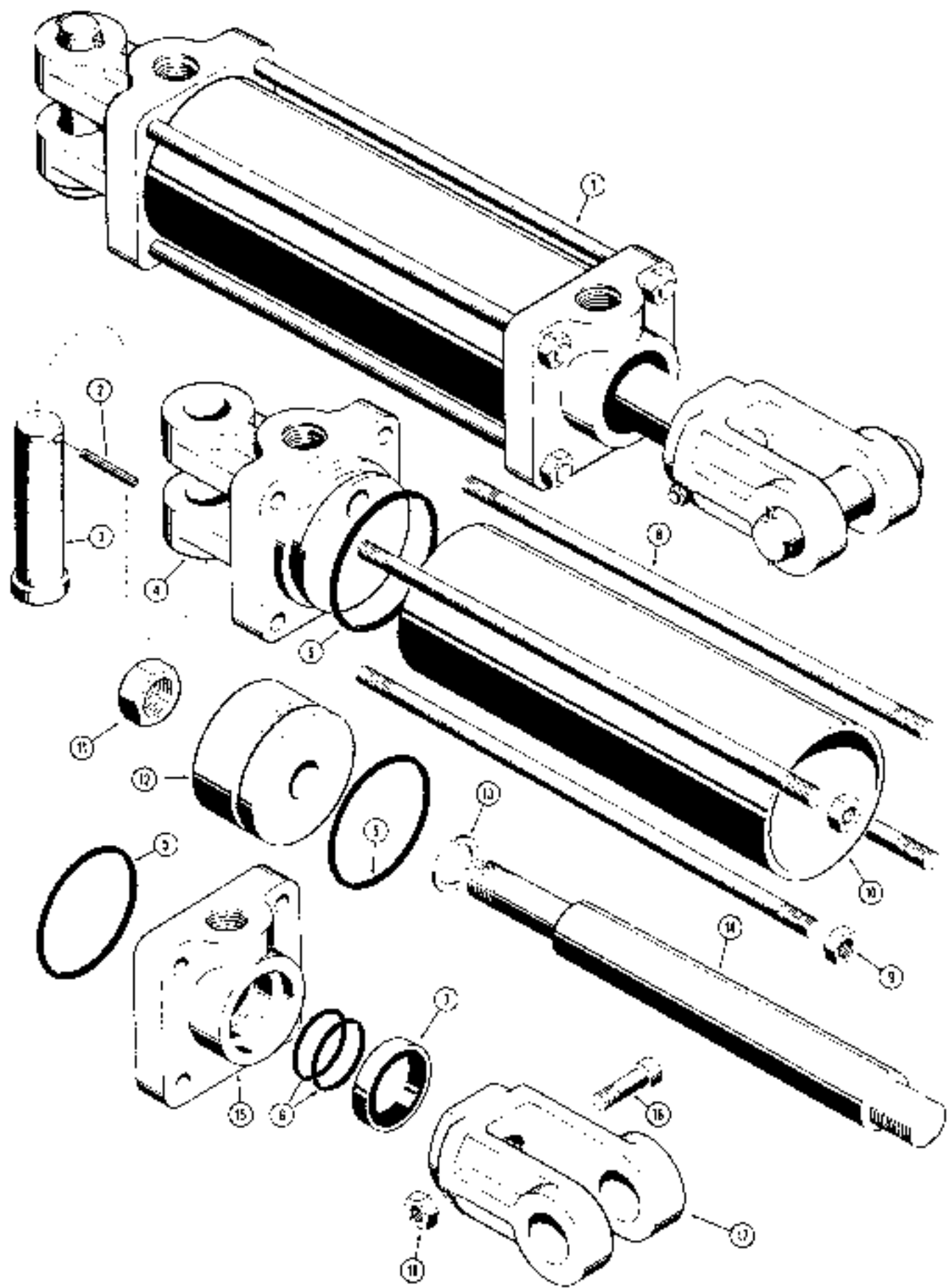
## N7943 TILT CYLINDER

REF.	PART NO.	DESCRIPTION	REQ'D
1	N 7943	CYLINDER ASSEMBLY - tilt, 3-1/2" (89 mm) ID x 10" (254 mm) stroke, used as tilt cylinder on all late production forklifts, except those with 21' 6" standard mast	2
2	N 7945	TUBE - cylinder	1
3	N 7950	CAP - head, threaded, 4-3/4" (121 mm) OD	1
4	178- 424	SET SCREW - hex socket, 1/4" - 20 NC x 1/4"	1
5	T 55068	PLUG - nylon	1
6	N 7947	GLAND - cylinder	1
7	B 17291	WIPER - piston rod	1
8	N 7948	U-CUP SEAL - piston rod	1
9	T 32305	O-RING - gland	1
10	N 7946	ROD - piston, 1-1/4" (32 mm) OD	1
11	D 61015	CLEVIS - adjustable, piston rod	1
12	138- 142	SPIROL PIN - 1/4" x 2"	2
13	D 36819	PIN - tilt cylinder	2
14	61- 628	SCREW - hex socket head, 3/8" - 16 NC x 1-3/4"	1
15	25- 106	NUT - hex, 3/8" - 16 NC	1
16	N 7944	PISTON - double groove	1
17	R 15386	O-RING - piston rod	1
18	N 7951	U-CUP SEAL - piston	2
19	138- 2022	SPIROL PIN - 5/32" x 1-1/4"	1
20	25- 2316	CASTLE NUT - hex, 1" - 14 NF	1

**\*NOTE:** EARLY PRODUCTION Forklifts can be identified by their tapered pipe thread type fittings at hydraulic valve and cylinder ports.

LATE PRODUCTION Forklifts can be identified by their O-ring type fittings at hydraulic valve and cylinder ports.



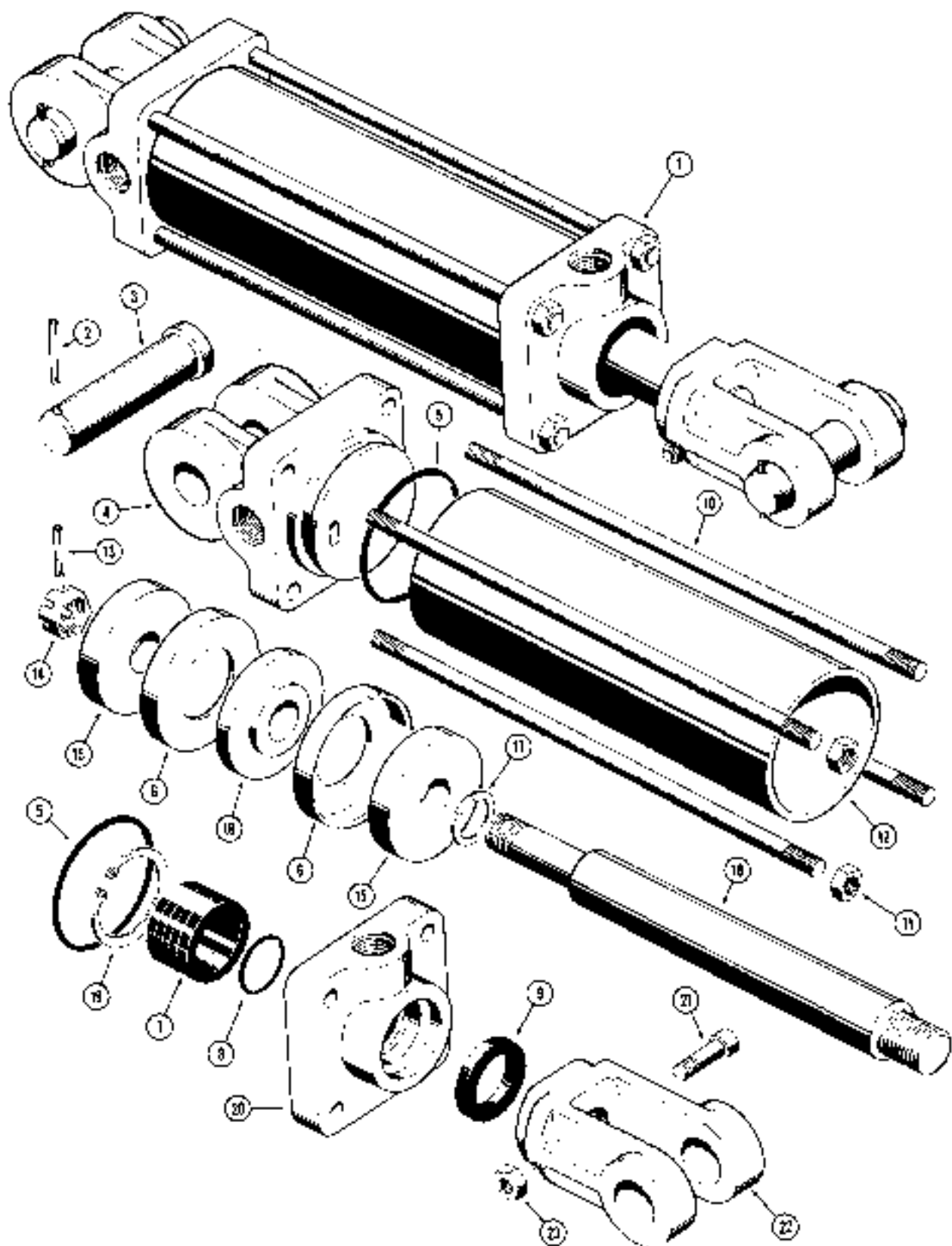


**MODEL 530 CONSTRUCTION KING FORK LIFT 75**

**D40197 SIDE SHIFT CYLINDER**

REF.	PART NO.	DESCRIPTION	REQ'D.
1	*D 40197	CYLINDER - hydraulic, side shift (2-1/2" I.D. x 8" stroke)	
		Late production . . . . .	1
2	138- 142	PIN - roll. 1/4" dia. x 2" . . . . .	2
3	D 36819	PIN - cylinder mounting . . . . .	2
4	D 40199	CAP - cylinder, closed end . . . . .	1
	D 24118	KIT - cylinder packing . . . . .	1
5	NSS	SEAL - "O"ring, end caps and piston . . . . .	3
6	NSS	SEAL - "O"ring, piston rod . . . . .	2
7	NSS	SEAL - rod wiper . . . . .	1
8	D 28147	ROD - tie . . . . .	4
9	25- 106	NUT - hex. (3/8" - 16 NC) . . . . .	8
10	D 24109	TUBE - cylinder . . . . .	1
11	25- 1512	NUT - hex., jam (3/4" - 16 NF) . . . . .	1
12	D 24105	PISTON - cylinder . . . . .	1
13	D 24091	GASKET - piston . . . . .	1
14	D 24106	ROD - piston . . . . .	1
15	D 40198	CAP - cylinder, rod end . . . . .	1
16	61- 628	SCREW - hex. socket head, 3/8" - 16 NC x 1-3/4" . . . . .	1
17	D 24097	YOKE - piston rod . . . . .	1
18	25- 106	NUT - hex. (3/8" - 16 NC) . . . . .	1

\*NOTE: EARLY PRODUCTION Fork Lifts can be identified by their tapered pipe thread type fittings at hydraulic valve and cylinder ports.  
 LATE PRODUCTION Fork Lifts can be identified by their "O"ring type fittings at hydraulic valve and cylinder ports.

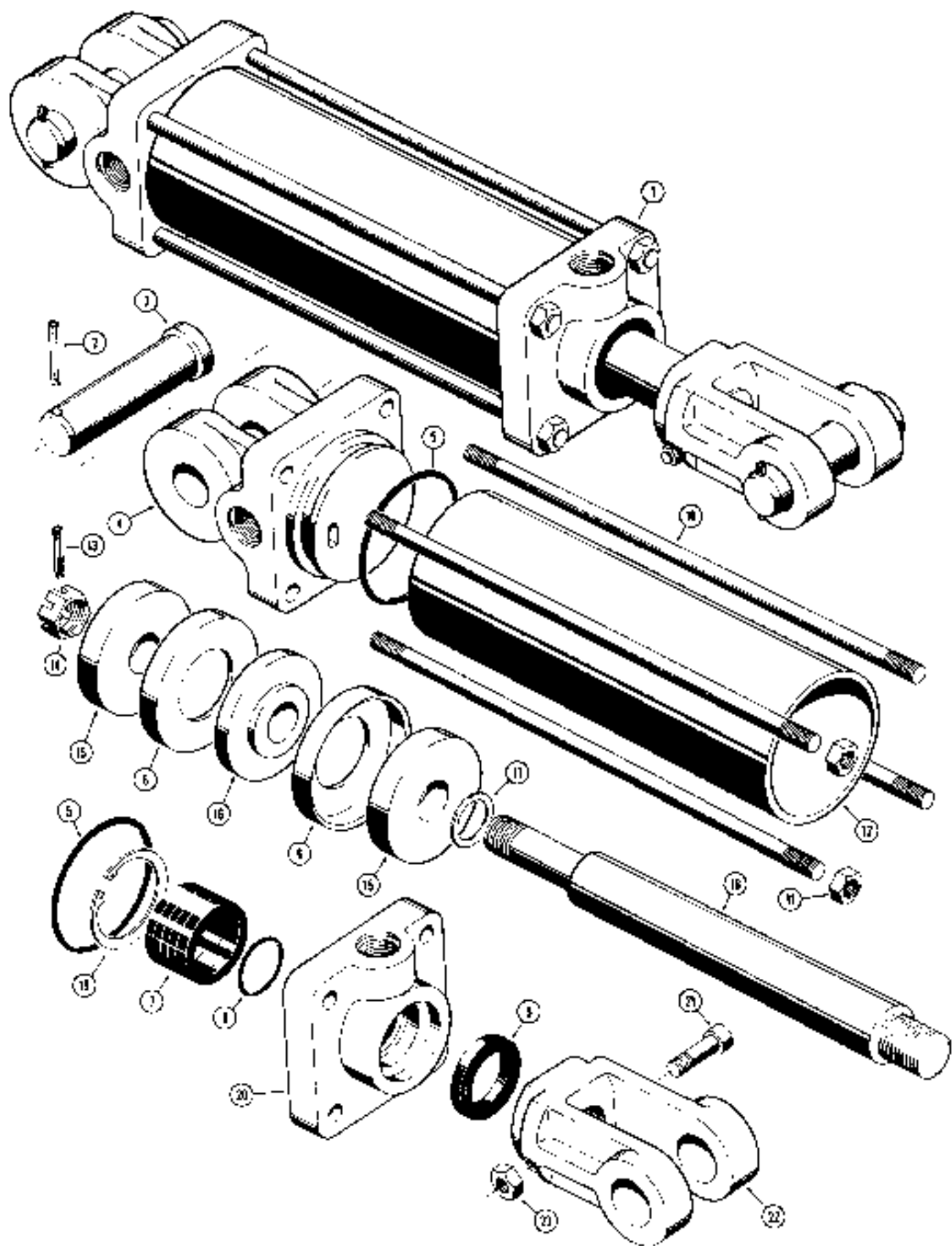


**MODEL 530 CONSTRUCTION KING FORK LIFT 77**

**D40823 LOG CLAMP CYLINDER**

REF.	PART NO.	DESCRIPTION	REQ'D.
1	*D 40823	CYLINDER - hydraulic, log clamp R.H. (3-1/2" I.D. x 10" stroke) Late production . . . . .	1
2	138- 142	PIN - roll, 1/4" dia. x 2" . . . . .	2
3	D 36819	PIN - cylinder mounting . . . . .	2
4	D 39469	CAP - cylinder, closed end . . . . .	1
	D 24127	KIT - cylinder packing . . . . .	1
5	NSS	SEAL - "O"ring, end cap . . . . .	2
6	NSS	CUP - piston . . . . .	2
7	NSS	PACKING - piston (Set of 5) . . . . .	1
8	NSS	SEAL - "O"ring, piston rod . . . . .	1
9	NSS	SEAL - rod wiper . . . . .	1
10	D 24138	ROD - tie . . . . .	4
11	25- 108	NUT - hex. (1/2" - 13 NC) . . . . .	8
12	D 24130	TUBE - cylinder . . . . .	1
13	138- 79	PIN - roll, 5/32" dia. x 1-1/4" . . . . .	1
14	25- 2316	NUT - hex., castle (1" - 14 NF) . . . . .	1
15	D 24133	SPACER - cup . . . . .	2
16	D 24132	PISTON - cylinder . . . . .	1
17	D 24135	GASKET - piston . . . . .	1
18	D 28380	ROD - piston . . . . .	1
19	D 24092	RING - retaining, packing . . . . .	1
20	D 39468	CAP - cylinder, rod end . . . . .	1
21	61- 628	SCREW - hex. socket head, 3/8" - 16 NC x 1-3/4" . . . . .	1
22	D 24097	YOKE - piston rod . . . . .	1
23	25- 108	NUT - hex. (3/8" - 16 NC) . . . . .	1

\*NOTE: **EARLY AND INTERMEDIATE PRODUCTION** Log Clamp Attachments can be identified by their tapered pipe thread type fittings at hydraulic cylinder ports.  
**LATE PRODUCTION** Log Clamp Attachments can be identified by their "O"ring type fittings at hydraulic cylinder ports.



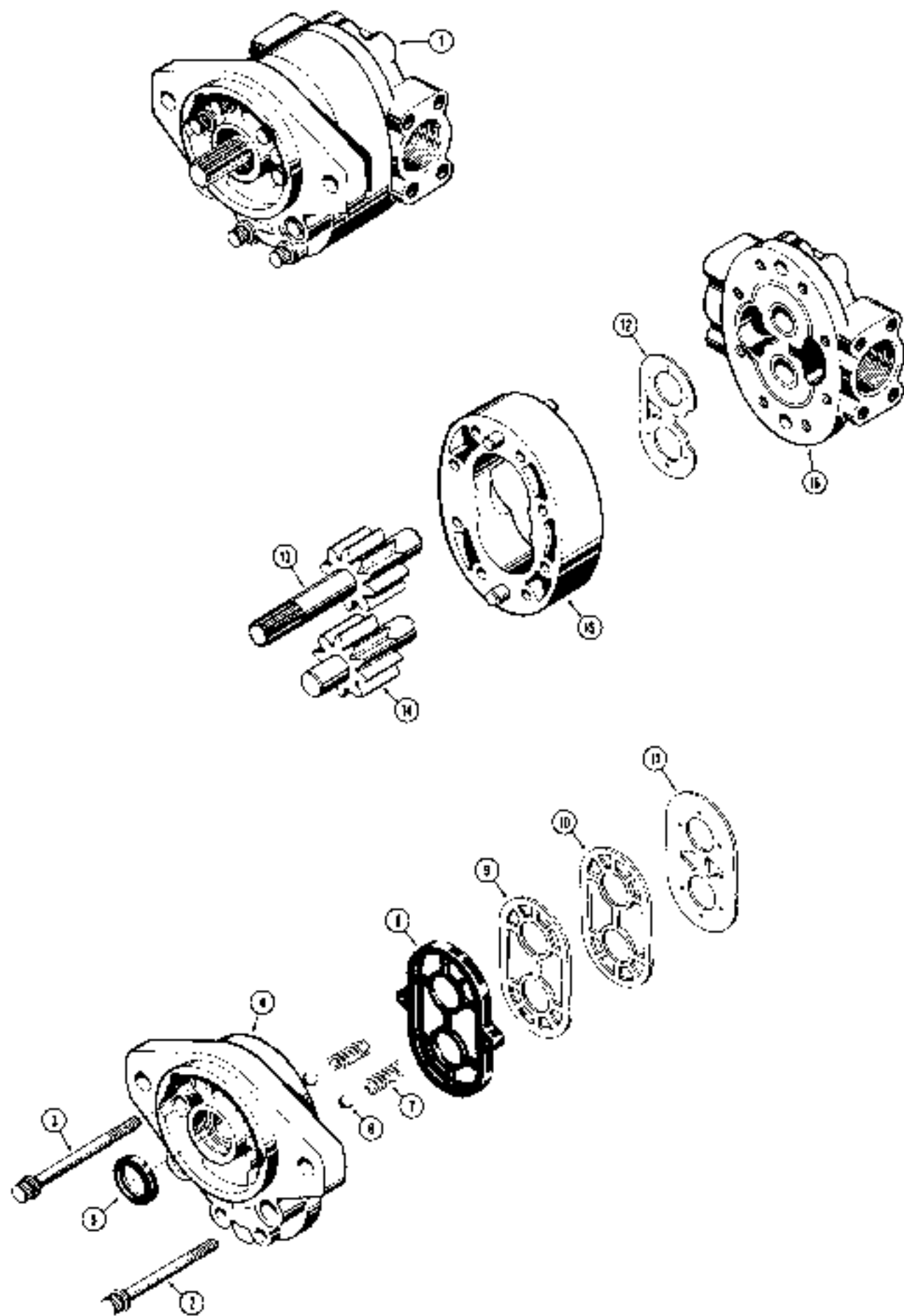
**MODEL 530 CONSTRUCTION KING FORK LIFT 79**

**D40824 LOG CLAMP CYLINDER**

REF.	PART NO.	DESCRIPTION	REQ'D.
1	*D 40824	CYLINDER - hydraulic, log clamp L.H. (3-1/2" I.D. x 10" stroke) Late production	1
2	138- 142	PIN - roll, 1/4" dia. x 2"	2
3	D 36819	PIN - cylinder mounting	2
4	D 39489	CAP - cylinder, closed end	1
	D 24127	KIT - cylinder packing	1
5	NSS	SEAL - "O" ring, end cap	2
6	NSS	CUP - piston	2
7	NSS	PACKING - piston (Set of 5)	1
8	NSS	SEAL - "O" ring, piston rod	1
9	NSS	SEAL - rod wiper	1
10	D 24138	ROD - tie	4
11	25- 108	NUT - hex. (1/2" - 13 NC)	8
12	D 24130	TUBE - cylinder	1
13	138- 79	PIN - roll, 5/32" dia. x 1-1/4"	1
14	25- 2316	NUT - hex., castle (1" - 14 NF)	1
15	D 24133	SPACER - cup	2
16	D 24132	PISTON - cylinder	1
17	D 24135	GASKET - piston	1
18	D 28360	ROD - piston	1
19	D 24092	RING - retaining, packing	1
20	D 39468	CAP - cylinder, rod end	1
21	81- 628	SCREW - hex. socket head, 3/8" - 16 NC x 1-3/4"	1
22	D 24097	YOKE - piston rod	1
23	25- 108	NUT - hex. (3/8" - 16 NC)	1

\*NOTE: EARLY AND INTERMEDIATE PRODUCTION Log Clamp Attachments can be identified by their tapered pipe thread type fittings at hydraulic cylinder ports.

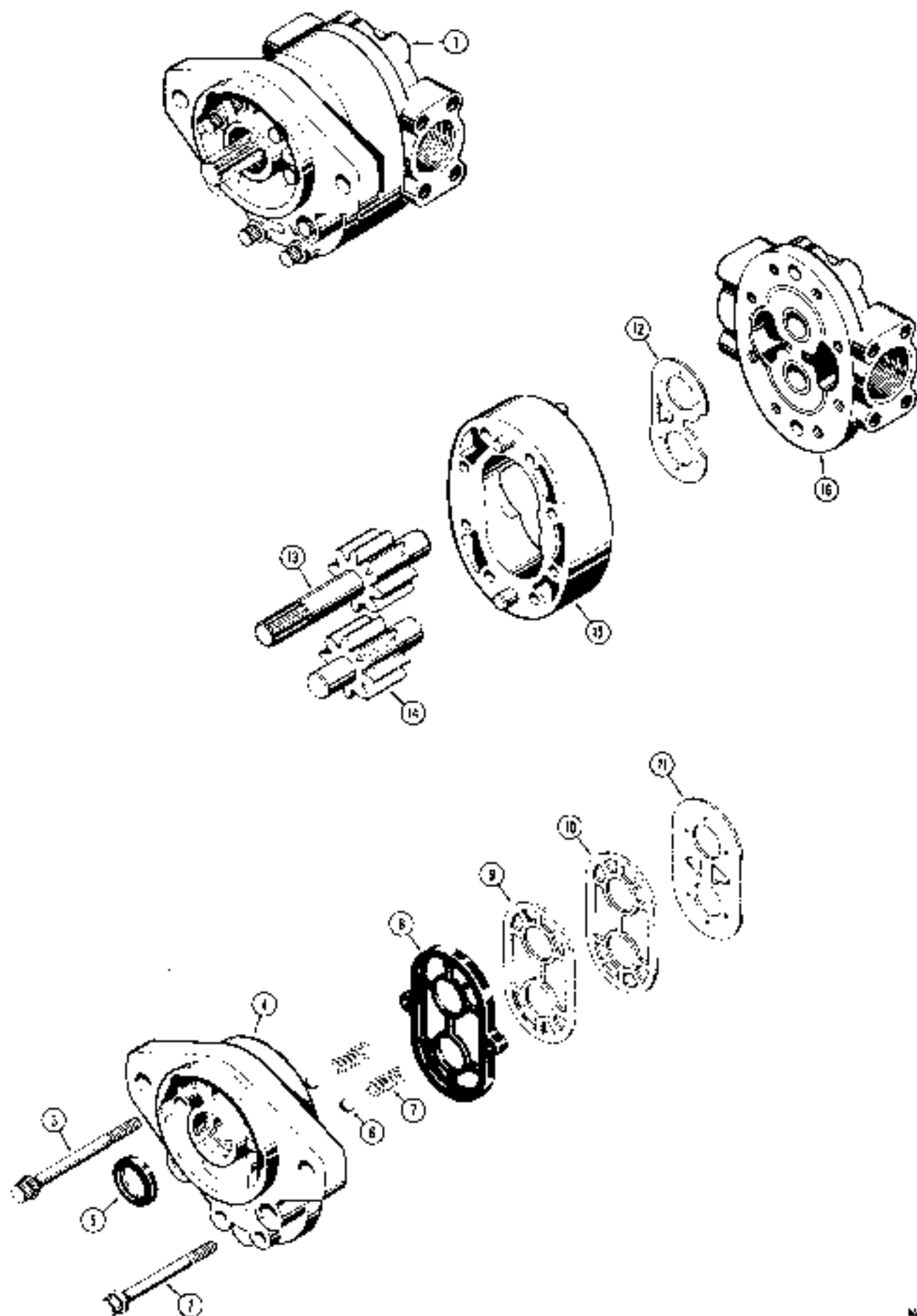
LATE PRODUCTION Log Clamp Attachments can be identified by their "O" ring type fittings at the hydraulic cylinder ports.



D31254 HYDRAULIC PUMP

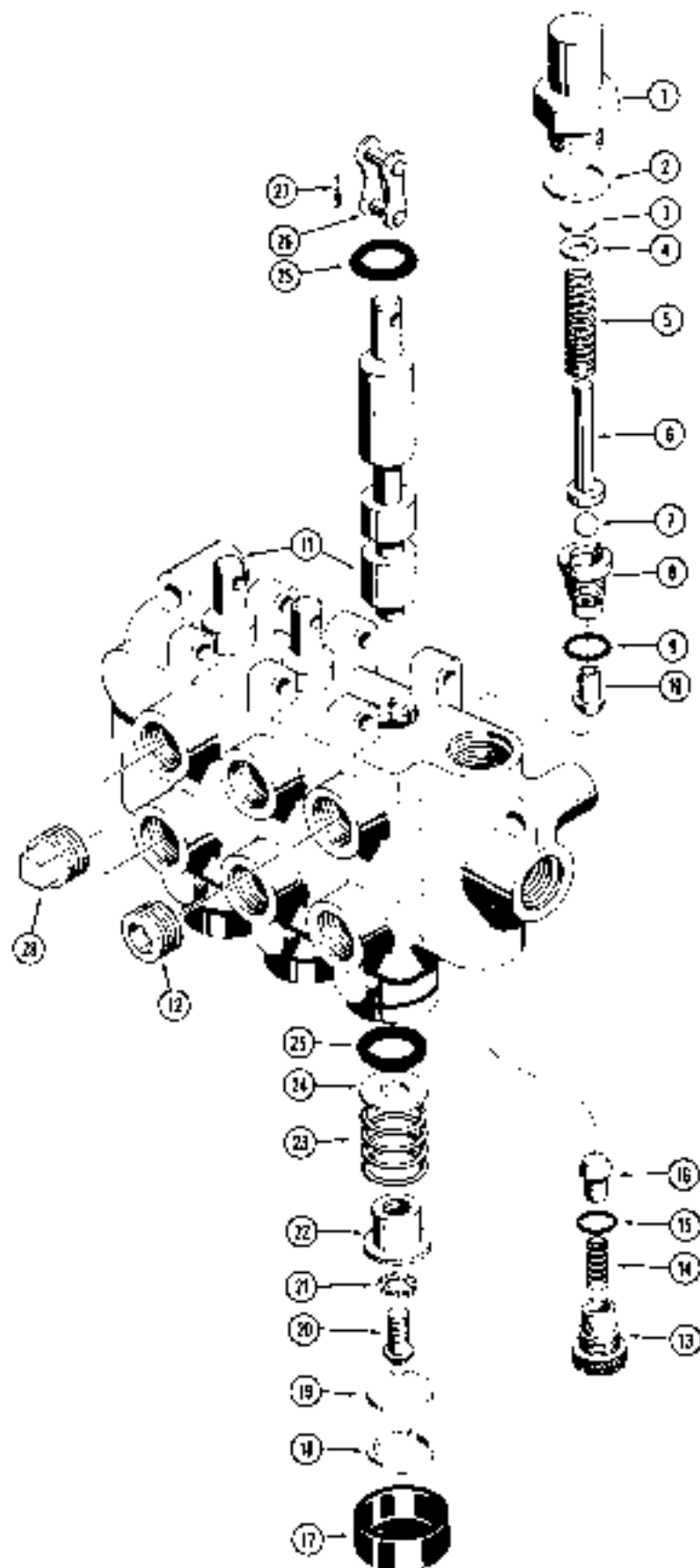
REF.	PART NO.	DESCRIPTION	REQ'D.
1	D 31254	PUMP - hydraulic, 20 G.P.M. @ 1900 R.P.M. @ 1600 P.S.I. (When stock is exhausted, use D41390 Ref. No. 1 page 83)	1
2	166- 54	SCREW - Ferrv cap (3/8" - 16 NC x 3-1/4")	4
3	166- 55	SCREW - Ferrv cap (3/8" - 16 NC x 3-1/2")	4
4	D 31395	COVER - drive shaft end	1
	D 31396	KIT - pump, rebuild (When stock is exhausted, use D41318 see page 83)	1
5	D 31401	SEAL - drive shaft (When stock is exhausted, use A25139 Ref. No. 5 page 83)	1
6	D 31404	BALL - steel 13/32" dia.	2
7	D 31403	SPRING - ball retaining	2
8	D 31397	SEAL - diaphragm	1
9	D 39319	GASKET - backup (When stock is exhausted use A41244, Ref. No. 9 page 83)	1
10	D 31398	GASKET - protector	1
11	D 31400	DIAPHRAGM - pump (When stock is exhausted use D41321, Ref. No. 11 page 83)	1
12	D 31402	PLATE - thrust (When stock is exhausted, use D41322 Ref. No. 12 page 83)	1
13	D 31405	DRIVE SHAFT AND GEAR - pump (Also order D31406 when replacing drive shaft and gear) When stock is ex- hausted use D41421 gear set (See page 83 Ref. No. 13)	1
14	D 31406	IDLER SHAFT AND GEAR - pump (Also order D31405 when replacing idler shaft and gear) When stock is ex- hausted, use D41421 gear set (See page 83 Ref. No. 14)	1
15	D 31408	HOUSING - gear	1
16	D 31407	COVER - port end	1





**MODEL 530 CONSTRUCTION KING FORK LIFT 83**  
**D41390 HYDRAULIC PUMP**

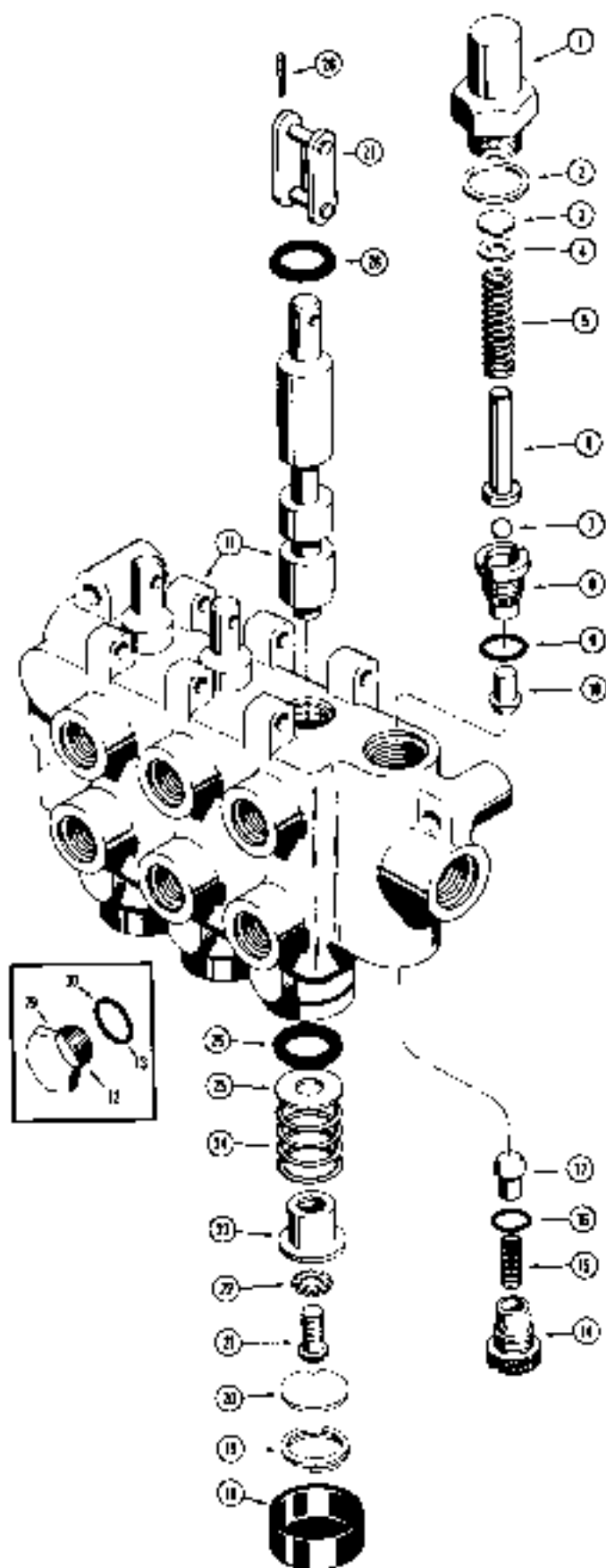
REF.	PART NO.	DESCRIPTION	REQ'D.
1	D 41390	PUMP - hydraulic, 20 G.P.M. @ 1900 R.P.M. @ 1600 P.S.I.	1
2	166- 54	SCREW - Ferry cap (3/8" - 16 NC x 3-1/4")	4
3	166- 55	SCREW - Ferry cap (3/8" - 16 NC x 3-1/2")	4
4	D 31396	COVER - drive shaft end	1
	D 41318	KIT - pump, rebuild	1
5	A 25139	SEAL - drive shaft	1
6	D 31404	BALL - steel (13/32" dia.)	2
7	D 31403	SPRING - ball retaining	2
8	D 31397	SEAL - diaphragm	1
9	A 41244	GASKET - backup	1
10	D 31398	GASKET - protector	1
11	D 41321	DIAPHRAGM - pump	1
12	D 41322	PLATE - thrust	1
	D 41421	GEAR SET	1
13	NSS	DRIVESHAFT AND GEAR - pump	1
14	NSS	IDLER SHAFT AND GEAR - pump	1
15	D 31408	HOUSING - gear	1
16	D 31407	COVER - port end	1



**MODEL 530 CONSTRUCTION KING FORK LIFT 85**  
**D28988 HYDRAULIC CONTROL VALVE**

REF.	PART NO.	DESCRIPTION	REQ'D.
*D	28968	VALVE - hydraulic, fork lift control (Early Production) . . . . .	1
1	D 28961	BODY - relief poppet . . . . .	1
2	34115	GASKET - relief valve body . . . . .	1
3	D 28960	SHIM - relief valve spring (.006" thick) . . . . .	DAR
4	D 25844	SHIM - relief valve spring (.010" thick) . . . . .	DAR
5	D 25841	SPRING - relief valve . . . . .	1
6	D 26379	GUIDE - relief valve spring . . . . .	1
7	211- 12	BALL - relief valve (7/16" dia.) . . . . .	1
8	D 28575	SEAT - relief valve . . . . .	1
9	D 23928	SEAL - "O"ring, relief valve seat . . . . .	1
10	D 28576	POPPET - check . . . . .	1
11	NSS	HOUSING AND SPOOLS - matched set . . . . .	1
12	D 23723	PLUG - valve port . . . . .	1
13	D 28574	PLUG - check poppet . . . . .	1
14	D 28840	SPRING - check poppet . . . . .	1
15	D 23932	SEAL - "O"ring, check poppet plug . . . . .	1
16	D 28576	POPPET - check . . . . .	1
17	36643	CAP - rubber . . . . .	3
18	36633	SNAP RING - stop disc . . . . .	3
19	36631	DISC - stop . . . . .	3
20	36626	BOLT - spring . . . . .	3
21	36628	WASHER - lock . . . . .	3
22	36630	COLLAR - stop . . . . .	3
23	36632	SPRING - centering . . . . .	3
24	36650	WASHER - stop . . . . .	3
25	36642	SEAL - spool . . . . .	6
26	D 24140	LINK - connecting . . . . .	3
27	132- 6	PIN - cotter, 1/16" dia. x 5/8" . . . . .	2
28	221- 4	PLUG - pipe, square head (1/2" NPT) Use in lieu of accessory hydraulics . . . . .	2

\*NOTE: EARLY PRODUCTION Fork Lifts can be identified by their tapered pipe thread type fittings at hydraulic control valve and cylinder ports. LATE PRODUCTION Fork Lifts can be identified by their "O"ring type fittings at hydraulic control valve and cylinder ports.



**MODEL 530 CONSTRUCTION KING FORK LIFT 87**

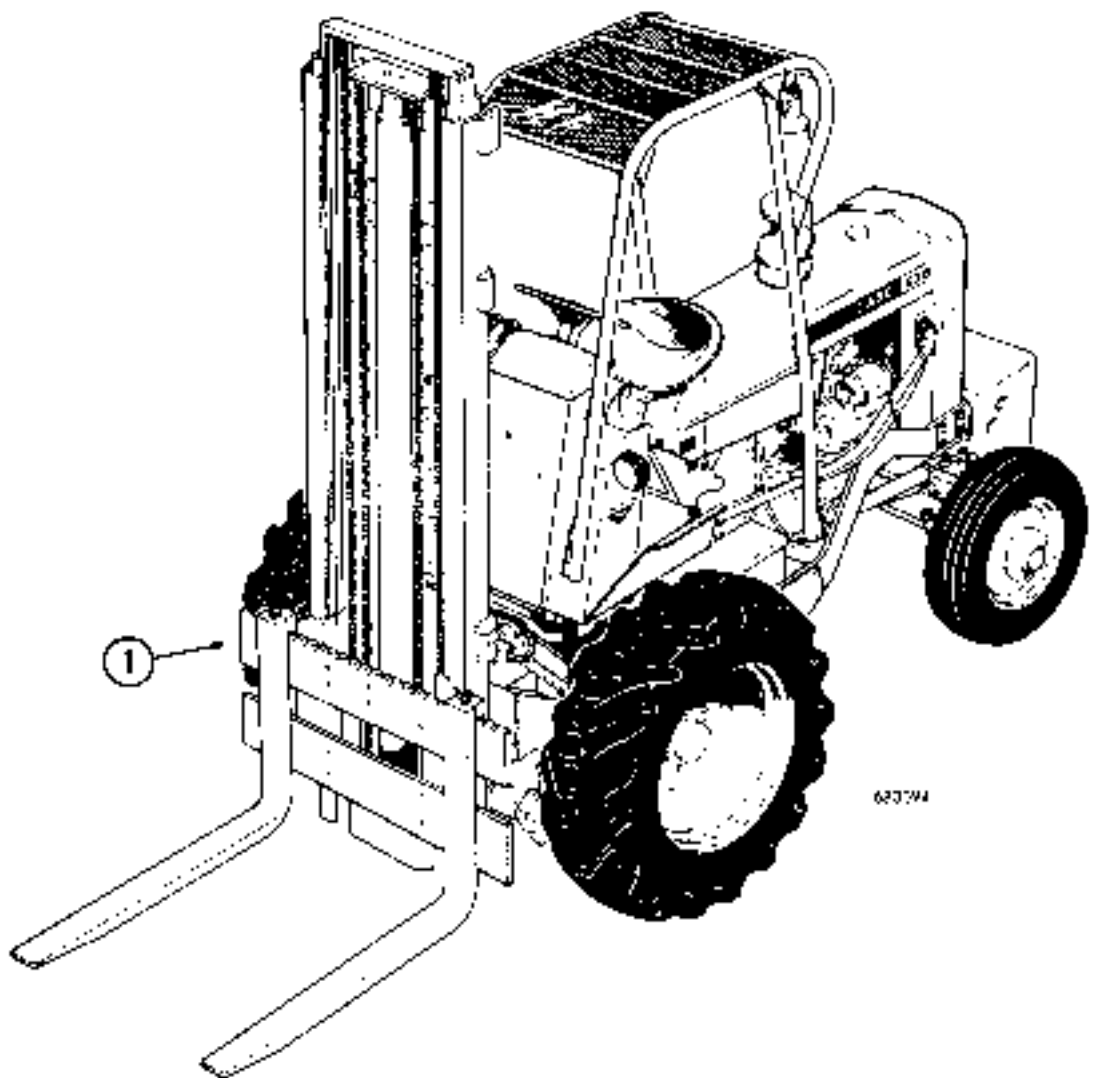
**D39472 HYDRAULIC CONTROL VALVE**

REF.	PART NO.	DESCRIPTION	REQ'D
	*D 39742	VALVE - hydraulic, fork lift control (Late Production)	1
1	D 28961	BODY - relief valve	1
2	34115	GASKET - relief valve body	1
3	D 28960	SHIM - relief valve spring (.006" thick)	UAR
4	D 25844	SHIM - relief valve spring (.010" thick)	UAR
5	D 25841	SPRING - relief valve	1
6	D 26370	POPPET - relief	1
7	211- 12	BALL - steel	1
8	D 28575	SEAT - relief valve	1
9	D 23928	SEAL - "O"ring, valve seat	1
10	D 28576	POPPET - check	1
11	NSS	HOUSING AND SPOOLS - matched set	1
12	218- 5157	PLUG - valve port	1
13	218- 5007	SEAL - "O"ring	1
14	D 28574	PLUG - check poppet	1
15	D 28840	SPRING - check poppet	1
16	D 29932	SEAL - "O"ring, check poppet plug	1
17	D 28576	POPPET - check	1
18	36645	CAP - rubber	3
19	36633	SNAP RING - stop disc	3
20	36631	DISC - stop	3
21	36626	BOLT - spring	3
22	36628	WASHER - lock	3
23	36630	COLLAR - stop	3
24	36632	SPRING - centering	3
25	36650	WASHER - stop	3
26	36642	SEAL - spool	6
27	D 24140	LINK - connecting	3
28	132- 6	PIN - cotter, 1/16" dia. x 5/8"	2
29	218- 5157	PLUG - valve port (Use in lieu of accessory hydraulics)	2
30	218- 5007	SEAL - "O"ring	1

\*NOTE: EARLY PRODUCTION Fork Lifts can be identified by their tapered pipe thread type fittings at hydraulic control valve and cylinder ports.  
 LATE PRODUCTION Fork Lifts can be identified by their "O"ring type fittings at hydraulic control valve and cylinder ports.

DECALS

REF.	PART NO.	DESCRIPTION	REQ'D.
1	D 33752	DECAL KIT - fork lift . . . . .	1



62374

HOSE AND FITTING ASSEMBLY CONVERSION PART NUMBERS

To make up a replacement hose line, find the CASE original equipment part number in the left hand column. To the right of this number are the component part numbers needed to assemble the replacement hose line.

ORIGINAL EQUIPMENT ASS'Y. NO.	BULK ROSE NO.	CUT ROSE LENGTH	USE FITTING NO.	USE FITTING NO.	ADDITIONAL PARTS REQUIRED
A36162	A21572	25-3/4"	220-203	220-203	
D24169	A21567	35-3/4"	220-127	220-127	
D24259	A21565	35-1/2"	220-126	220-125	
D24260	A21566	29-1/2"	220-126	220-125	
D24280	A23299	173-1/2"	220-144	220-126	
D24281	A23299	213-1/2"	220-144	220-126	
D24300	A23299	329-1/2"	220-126	220-125	
D24304	A21565	39"	220-123	220-123	
D25231	A23299	173-1/2"	220-126	220-125	
D25232	A23299	213-1/2"	220-126	220-125	
D29834	A21565	27-1/2"	220-123	220-123	
D33739	A21574	141-1/2"	220-226	220-226	
D33745	A21566	28-1/3"	220-125	220-125	
D33748	A21566	16"	220-125	220-125	
D33749	A21566	24-1/2"	220-125	220-125	

NUMERICAL INDEX

PART NO.	PAGE NO.	REF. NO.	PART NO.	PAGE NO.	REF. NO.	PART NO.	PAGE NO.	REF. NO.
10921	44	27	60910	31	20	60972	19	10
31383	33	21	60917	9	44	61005	34	34
31400	33	19	60917	11	43	61035	33	14
34115	85	7	60917	15	54	65293	33	31
34115	87	2	60939	9	19	65294	33	21
36626	85	20	60939	11	18	65295	34	26
36626	87	21	60939	13	26			
36628	85	21	60947	13	71	A 7923	39	73
36628	87	22	60943	14	29	A 7982	17	38
36630	85	22	60944	9	20	A 7987	19	38
36630	87	23	60944	11	19	A 10953	43	4
36631	85	19	60944	13	27	A 11276	43	24
36631	87	20	60948	9	17	A 11280	43	25
36632	85	23	60948	11	11	A 11327	43	39
36632	87	24	60954	17	10	A 18414	9	40
36633	85	18	60954	17	24	A 18414	11	39
36633	87	19	60954	19	10	A 18414	15	50
36642	85	25	60955	17	8	A 20621	43	
36642	87	26	60955	17	18	A 20950	43	33
36645	85	17	60955	19	4	A 20991	43	12
36645	87	18	60958	11	8	A 22451	41	23
36650	85	24				A 22874	43	
36650	87	25				B 22875	43	7
60915	9	43				A 22883	43	2
60915	11	42	60969	11	5	A 23263	43	42
60915	15	53	60969	17	6	A 23885	39	69
60916	9	42	60969	19		A 24080	43	10
60916	11	41	60969	19		B 24354	43	33
60916	15	52	60972	9	10	A 24504	43	28
60916	21	41	60972	11	2	A 24510	43	27
60916	23	39	60972	11	9	A 24511	43	



## NUMERICAL INDEX

PART NO.	PAGE NO.	REF. NO.	PART NO.	PAGE NO.	REF. NO.	PART NO.	PAGE NO.	REF. NO.			
A	24572	43	D	24080	55	49	D	24106	63	17	
A	25139	83	5	D	24080	61	1	D	24106	75	14
A	26649	43	40	D	24082	51	6	D	24109	53	17
A	26696	43	16	D	24083	21	36	D	24109	75	10
A	26836	39	12	D	24083	23	34	D	24112	51	14
A	26956	49	71	D	24083	27	41	D	24118	63	
A	27577	47	57	D	24083	33	10	D	24118	75	
A	27994	47	55	D	24083	61	4	D	24120	65	6
A	30119	37	36	D	24083	63	3	D	24120	67	6
A	30326	43		D	24083	55	3	D	24120	69	6
A	33641	43		D	24083	67	3	D	24127	65	
A	33642	43	18	D	24083	69	3	D	24127	67	
A	35035	43		D	24084	21	35	D	24127	69	
A	35039	43	11	D	24084	23	43	D	24127	73	
A	35170	37	21	D	24084	27	40	D	24127	77	
A	35171	37	19	D	24084	27	46	D	24127	79	
A	35579	41	24	D	24084	27	53				
A	35803	43	17	D	24084	33	9				
A	36151	41	14	D	24084	61	2	D	24130	65	14
A	36152	39	70	D	24084	63	2	D	24130	67	14
A	36155	35	74	D	24084	65	2	D	24130	69	14
A	36156	43		D	24084	67	2	D	24130	73	12
A	36157	43	15	D	24084	69	2	D	24130	77	12
A	36156	43	14	D	24085	61	14	D	24130	79	12
A	36159	43	1	D	24085	71	12	D	24132	65	18
A	36161	41	21	D	24088	61	18	D	24132	67	18
A	36162	41	30	D	24088	71	16	D	24132	69	18
A	36163	39	95	D	24089	61	17	D	24132	73	16
A	36166	43	3	D	24089	71	15	D	24132	77	16
A	36167	43	29	D	24090	61	20	D	24132	79	16
A	36168	43	10	D	24090	71	18	D	24133	65	17
				D	24091	61	19	D	24133	67	17
A	36190	41		D	24091	63	16	D	24133	69	17
A	36191	41	22	D	24091	71	17	D	24133	73	16
A	36196	37	20	D	24091	75	13	D	24133	77	15
A	36198	37	49	D	24092	61	21	D	24135	79	15
A	36199	37	41	D	24092	65	21	D	24135	55	19
A	36230	37	37	D	24092	67	21	D	24135	67	19
A	36231	37	30	D	24092	69	21	D	24135	69	19
A	36232	37	29	D	24092	71	19	D	24135	73	17
A	36318	43	21	D	24092	73	19	D	24135	77	17
A	36538	41	32	D	24092	77	19	D	24135	79	17
A	36539	41	31	D	24092	79	19	D	24137	65	22
A	36607	39	59	D	24092	61	22	D	24137	67	22
A	41244	83	9	D	24093	71		D	24137	69	22
				D	24093	71		D	24138	65	12
				D	24094	61	22	D	24138	67	12
D	50285	43	26	D	24097	61	24	D	24138	69	12
				D	24097	63	20	D	24138	73	10
D	10464	29	1	D	24097	65	24	D	24136	77	10
D	10465	29	2	D	24097	67	24	D	24136	79	10
D	10466	29	3	D	24097	69	24				
D	10545	33	15	D	24097	71	22				
D	10653	29	7	D	24097	73	22	D	24140	21	7
D	23176	37	18	D	24097	75	17	D	24140	23	7
D	23723	85	12	D	24097	77	22	D	24140	25	7
D	23928	85	9	D	24097	79	22	D	24140	53	7
D	23928	87	9	D	24098	61	12	D	24140	55	7
D	23932	65	15	D	24098	71	10	D	24140	85	26
D	23932	87	16	D	24102	21	34	D	24140	87	27
D	24002	51	31	D	24102	23	32	D	24147	5	8
D	24054	7	8	D	24102	63	1	D	24148	5	9
D	24080	5	1	D	24103	63	6	D	24152	7	15
D	24080	33	8	D	24105	63	15	D	24162	47	52
D	24080	51		D	24105	75	12	D	24162	47	63
D	24080	53	46	D	24105	75	12	D	24169	49	7

NUMERICAL INDEX

PART NO.	PAGE NO.	REF. NO.	PART NO.	PAGE NO.	REF. NO.	PART NO.	PAGE NO.	REF. NO.
D 24170	21	15	D 24277	53	25	D 25844	85	4
D 24170	23	15	D 24278	53	30	D 25844	87	4
D 24170	25	15	D 24279	53	35	D 26052	57	4
D 24170	29	5	D 24279	55	28	D 26094	57	14
D 24170	33	15	D 24280	53	16	D 26094	57	28
D 24170	35	15	D 24281	53		D 26094	59	14
D 24173	4	6	D 24282	21	10	D 26094	59	27
D 24173	24	14	D 24282	25	18	D 26196	9	13
D 24173	27		D 24282	53	18	D 26196	9	30
D 24175	13	6	D 24283	53	28	D 26196	9	33
D 24175	29		D 24284	53	29	D 26196	9	36
D 24177	44	9	D 24285	53	34	D 26196	11	12
			D 24286	53	36	D 26196	11	29
			D 24286	55	29	D 26196	11	32
D 24180	41	1	D 24287	53	37	D 26196	11	35
D 24183	15	3	D 24287	55	30	D 26196	13	15
D 24184	21	1	D 24288	21		D 26196	13	19
D 24184	23	1	D 24288	23		D 26196	15	39
D 24184	25	1	D 24288	25		D 26196	15	42
D 24184	35	10	D 24288	53		D 26196	15	45
D 24184	51	1	D 24288	55		D 26199	14	
D 24184	55	1	D 24291	37	12	D 26200	13	18
D 24196	19	14	D 24291	39	65	D 26201	13	22
D 24199	37	4	D 24291	59	85	D 26362	21	
			D 24292	23	22	D 26362	23	
D 24200	29	26	D 24292	55	22	D 26363	21	40
D 24201	37	7	D 24293	23	24	D 26363	23	36
D 24202	39	55	D 24294	55	24	D 26379	45	6
D 24204	39	60	D 24294	23	25	D 26379	37	6
D 24204	37	5	D 24294	55	25			
D 24205	37	3	D 24295	55	26	D 27002	5	
D 24206	37	6	D 24296	23	20	D 27002	25	57
D 24206	39	57	D 24296	55	20	D 27002	65	1
D 24206	39	90	D 24297	23	16	D 27050	11	10
D 24208	37	42	D 24297	55	18	D 27051	31	19
D 24209	37	45	D 24298	23	19	D 27052	31	16
D 24212	39	51	D 24298	55	19	D 27053	31	15
D 24213	39	47	D 24299	23	23	D 27054	31	17
D 24214	37	44	D 24299	55	23	D 27055	31	21
D 24216	37	46	D 24300	23	16	D 27362	13	10
D 24221	37	11	D 24300	55	16	D 27362	13	14
D 24221	39	64				D 27362	17	10
D 24221	39	84	D 24304	23	29	D 27363	13	3
D 24221	39	74	D 24312	21	32	D 27364	13	2
D 24223	37	15	D 24312	23	30	D 27364	13	12
D 24224	53	31	D 24324	9	22	D 27365	13	11
D 24238	13		D 24324	11	21	D 27365	17	3
D 24238	23	17	D 24324	13	34	D 27365	17	11
			D 24325	9	24	D 27365	19	3
D 24238	55	17	D 24325	11	24	D 27366	9	3
D 24252	57	3	D 24325	13	36			
D 24252	57	17	D 24330	9	4	D 27504	45	37
D 24252	59	3	D 24333	13	1	D 27861	31	9
D 24252	59	17	D 24334	13	9	D 27862	31	5
D 24256	53		D 24335	13	13	D 27863	31	6
D 24259	53	42	D 24342	25	28	D 27864	31	7
D 24259	55	35	D 24870	13		D 27865	31	1
D 24260	53	43	D 25231	21	16	D 27865	31	8
D 24260	55	36	D 25231	25	16	D 27949	31	4
D 24261	33	4	D 25232	21		D 28146	49	8
D 24262	53	41	D 25232	25		D 28147	63	11
D 24262	55	34	D 25794	37	14	D 28147	75	8
D 24267	27	52	D 25795	37	16	D 28148	21	29
D 24277	21	25	D 25841	45	5	D 28149	23	27
D 24277	25	25	D 25841	47	5	D 28150	21	28

## NUMERICAL INDEX

PART NO.	PAGE NO.	REF. NO.	PART NO.	PAGE NO.	REF. NO.	PART NO.	PAGE NO.	REF. NO.			
D	28151	23	26	U	29831	21	47	D	32712	35	19
D	28176	33	5	U	29831	23	45	D	32713	35	17
D	28179	33	14	U	29832	21	45	D	33154	45	4
D	28180	33	1	U	29832	23	43	D	33155	45	3
D	28327	57		U	29833	21	46	U	33157	5	
U	28327	57		D	29833	23	44	D	33158	39	62
D	28327	59		D	29834	21	31	D	33159	5	2
U	28437	57	4	D	29834	23	30				
U	28437	57	23	D	30369	45	27				
D	28437	59	9	D	31108	45	25	D	33160	39	49
D	28560	55	20	D	31254	45	22	D	33162	37	9
U	28560	57	20	D	31254	31	1	D	33163	41	
U	28560	59	20	D	31395	31	4	D	33164	33	92
U	28560	71	18	D	31395	33	4				
D	28560	77	17	D	31396	31		D	33171	7	20
U	28560	79	18	D	31397	31	8	D	33172	7	19
				D	31397	33	9	D	33173	5	6
D	28574	35	13	D	31398	31	10	D	33174	5	13
U	28574	37	14	D	31398	33	10	D	33175	35	24
D	28575	35	8					D	33176	41	18
D	28575	37	8	D	31400	31	11	D	33178	39	31
U	28576	45	10	D	31401	31	5	D	33179	39	62
D	28576	45	16	D	31402	31	12				
D	28576	47	10	D	31403	31	7	D	33180	35	28
U	28576	47	17	D	31403	33	7	D	33292	5	19
D	28840	65	14	D	31404	31	6	D	33726	35	7
U	28840	67	15	D	31404	33	6	D	33727	39	87
				D	31405	31	13	D	33728	39	99
D	28943	9	29	D	31406	31	14	D	33729	39	91
D	28943	11	28	D	31407	31	16	D	33730	47	48
U	28943	15	38	D	31407	33	16	D	33731	35	13
U	28944	9	20	D	31408	31	15	D	33732	35	12
U	28944	11	27	D	31408	33	15	D	33733	41	5
D	28945	9		D	31874	47	54	D	33734	41	8
D	28945	11						D	33735	47	60
D	28946	15	37	D	32212	47		D	33736	47	51
U	28947	15		D	32254	47	53	D	33737	47	62
D	28949	27	51	D	32275	9		D	33738	45	32
D	28952	27	47	D	32276	11		D	33739	45	30
D	28953	27	44	D	32555	9	2				
U	28954	27	56	D	32555	17	2	D	33740	45	28
D	28959	33	10	D	32555	19	7	D	33741	45	20
D	28960	35	3	D	32573	9	1	D	33743	45	10
D	28960	37	3	D	32574	11	1	D	33744	49	16
D	28961	35	1	D	32575	21	43	D	33745	49	29
D	28961	37	1	D	32575	23	41	D	33746	49	15
U	28961	39	47	D	32576	21	44	D	33746	51	25
D	28968	21	9	D	32576	23	42	D	33747	49	21
D	28968	23	9	U	32577	45	1	D	33748	49	19
D	28968	25	9	D	32579	59		D	33749	51	30
D	28968	45	42					D	33750	51	27
U	28968	49	1	D	32580	59	23	D	33751	49	10
D	28968	53	9	D	32581	59	22	D	33752	39	1
D	28968	55	5	D	32582	59	18	D	33753	37	2
D	28968	55		D	32583	9	14	D	33754	49	23
				D	32583	11	13	D	33755	35	18
				D	32583	13	20	D	33757	35	20
D	29552	7	6	D	32586	9	16	D	33854	45	31
D	29553	7	7	D	32587	11	15	D	33855	35	31
D	29555	7	13	D	32588	9	21	D	33860	45	11
D	29556	7	9	D	32588	11	20				
D	29629	7	1	D	32588	13	30	D	34237	45	13
D	29630	7	2	D	32599	45		D	34430	5	10
D	29650	47	49					D	34431	45	18
D	29828	21	42	D	32606	45	5	D	34432	45	12
U	29828	23	40	D	32691	5	18	D	34435	25	31

NUMERICAL INDEX

PART NO.	PAGE NO.	REF. NO.	PART NO.	PAGE NO.	REF. NO.	PART NO.	PAGE NO.	REF. NO.
D 34436	25	35	D 36819	66	5	D 39477	15	49
D 34437	25	29	D 36819	67	6	D 39478	21	21
D 34438	25	38	D 36819	69	5	D 39479	25	21
D 34439	67	1	D 36819	71	3	D 39478	53	21
D 34439	27	39	D 36819	73	3	D 39479	21	13
D 34439	59	1	D 36819	75	3	D 39479	23	13
D 34440	27	45	D 36819	77	3	D 39479	29	13
D 34446	13		D 36819	79	3	D 39479	53	13
D 34447	13		D 38359	29	6	D 39479	55	13
D 34546	17		D 38359	29	10	D 39480	17	
D 34547	19		D 38366	5		D 39481	17	
			D 39190	51		D 39482	17	18
D 36567	17	1	D 39191	51		D 39482	19	18
D 36568	19	1	D 39192	51	26	D 39483	17	
D 36569	17	9	D 39319	61	9	D 39484	19	
D 36570	19	9	D 39456	49		D 39697	15	40
D 36571	17	6	D 39459	49		D 39698	15	44
D 36571	49					D 39699	9	
D 36571	57		D 39460	49		D 39699	11	
D 36575	17	20	D 39461	51		D 39699	15	
D 36575	19	20	D 39462	49	17	D 39703	9	31
D 36577	17	24	D 39463	49		D 39703	11	30
D 36578	19	24	D 39464	5		D 39704	9	34
D 36579	17	22	D 39464	33	11	D 39704	11	33
D 36579	19	22	D 39464	51		D 39747	45	39
			D 39464	53				
D 36580	17	27	D 39464	55		D 40196	21	
D 36580	19	27	D 39464	71	1	D 40196	23	
D 36581	17	29	D 39465	5		D 40197	21	37
D 36581	19	29	D 39465	51		D 40197	23	41
D 36582	17	15	D 39465	73	1	D 40197	75	1
D 36582	19	15	D 39466	71	20	D 40198	75	15
D 36583	17	17	D 39467	71	4	D 40199	75	4
D 36583	19	17	D 39468	73	20	D 40823	27	
D 36584	17	14	D 39469	77	20	D 40823	77	1
D 36584	19	14	D 39469	79	20	D 40824	27	
D 36585	17	16	D 39469	73	4	D 40824	79	1
D 36585	19	16	D 39469	77	4	D 40825	25	
D 36586	17	11	D 39469	79	4	D 40826	27	49
D 36587	17	30				D 41289	29	5
D 36587	19	30				D 41289	29	9
D 36588	17	32	D 39470	17	40	D 41318	83	
D 36588	19	32	D 39470	19	40	D 41321	83	11
D 36589	17	35	D 39471	53	44	D 41322	83	10
D 36589	19	35	D 39471	55	37	D 41390	45	
			D 39472	21		D 41390	63	1
			D 39472	23		D 41421	83	
D 36590	17	36	D 39472	25				
D 36590	19	36	D 39472	47				
D 36591	17		D 39472	49		D 41503	9	32
D 36591	19		D 39472	53		D 41503	9	35
D 36592	17	42	D 39472	55		D 41503	11	31
D 36592	19	42	D 39472	67		D 41503	11	36
D 36593	17	43	D 39475	47		D 41503	15	41
D 36593	19	43	D 39475	49	12	D 41503	15	44
D 36809	29		D 39475	57	12	D 41505	9	4
D 36811	9		D 39475	57	26	D 41505	11	4
D 36811	11		D 39475	59	12	D 41505	13	4
D 36811	15		D 39475	59	25	D 41505	17	4
D 36819	21	39	D 39476	17	21	D 41505	19	4
D 36819	23	37	D 39476	17	31	D 10776	37	28
D 36819	27	43	D 39476	17	33	G 13138	37	24
D 36819	27	54	D 39476	19	21	G 13141	43	8
D 36819	23	6	D 39476	19	31	G 13142	43	
D 36819	33	13	D 39476	14	33	G 15468	39	76
D 36819	61	5	D 39477	9	36	G 16604	37	40
D 36819	63	5	D 39477	11	37	G 45317	43	35

## NUMERICAL INDEX

PART NO.	PAGE NO.	REF. NO.	PART NO.	PAGE NO.	REF. NO.	PART NO.	PAGE NO.	REF. NO.
G 46150	45	26	14- 712	41	7	25- 116	43	27
G 46227	43	36	14- 1232	43	32	25- 118	47	10
R 14860	71	30	14- 1236	73	16	25- 116	49	23
R 14868	23	24				25- 118	39	63
R 15257	45	14	25- 104	35	27	25- 116	39	43
R 20645	47	58	25- 104	39	50			
			25- 104	45	7	25- 146	39	75
			25- 105	21	24	25- 144	4	27
			25- 105	25	24	25- 148	11	26
			25- 105	45	17	25- 144	13	33
			25- 105	53	24	25- 148	17	25
			25- 105	53	40	25- 144	19	26
			25- 105	55	33			
			25- 106	5	5	25- 1010	5	15
			25- 106	21	6	25- 1010	7	5
			25- 106	21	17	25- 1010	7	12
			25- 106	21	27	25- 1112	13	17
			25- 106	23	4	25- 1112	33	37
			25- 106	23	17	25- 1112	51	16
			25- 106	25	6	25- 1115	17	19
			25- 106	25	12	25- 1115	14	19
			25- 106	25	27	25- 1115	41	9
			25- 106	25	34	25- 1115	55	16
			25- 106	25	36	25- 1410	27	46
			25- 106	25	44	25- 1410	31	3
			25- 106	25	5	25- 1410	31	17
			25- 106	25	16	25- 1410	31	16
			25- 106	25	23	25- 1512	13	16
			25- 106	25	30	25- 1512	54	14
			25- 106	27	27	25- 1512	75	11
			25- 106	37	34	25- 1512	91	10
			25- 106	47	45			
			25- 106	49	4	25- 2312	61	
			25- 106	53	6	25- 2312	71	14
			25- 106	53	12	25- 2316	65	
			25- 106	53	27	25- 2316	67	16
			25- 106	55	6	25- 2316	69	16
			25- 106	55	17	25- 2316	73	14
			25- 106	61	21	25- 2316	77	14
			25- 106	63	17	25- 2316	79	14
			25- 106	65	21	61- 616	21	19
			25- 106	65	25	61- 628	25	19
			25- 106	67	25	61- 616	53	19
			25- 106	69	25			
			25- 106	71	23	61- 628	61	23
			25- 106	73	23	61- 628	63	19
			25- 106	75	9	61- 628	65	23
			25- 106	75	18	61- 628	67	23
			25- 106	77	23	61- 628	69	23
			25- 106	79	23	61- 628	71	21
			25- 107	61	13	61- 628	73	21
			25- 107	71	11	61- 628	75	16
			25- 108	7	18	61- 628	77	21
			25- 108	7	23	61- 628	79	21
			25- 108	43	19			
			25- 108	45	7	61- 620	9	25
			25- 108	45	13	61- 820	11	24
			25- 108	47	13	61- 820	13	21
			25- 108	49	13	61- 826	9	25
			25- 106	71	11	61- 828	11	25
			25- 106	73	11	61- 828	13	37
			25- 106	79	11	61- 828	17	25
			25- 115	33	23	61- 826	19	25
			25- 117	41	7	62- 824	9	7
			25- 116	9	11	62- 824	11	5
			25- 118	11	10	62- 824	13	7

<b>HARDWARE PART NUMBERS</b>
----------------------------------

13- 60	37	25
13- 617	35	25
13- 616	53	37
14- 620	41	25
13- 624	71	22
14- 624	25	27
13- 624	45	15
14- 624	54	27
13- 640	53	38
13- 640	53	31
13- 612	31	11
13- 610	47	31
13- 616	45	8
13- 616	35	14
13- 616	35	22
13- 620	35	32
13- 620	41	15
13- 624	35	29
13- 624	49	75
13- 624	41	19
14- 637	21	4
13- 637	23	6
14- 632	25	4
13- 632	35	34
13- 632	49	27
13- 632	53	4
13- 632	55	4
13- 636	23	10
13- 636	23	10
14- 636	25	10
13- 636	47	43
13- 636	59	2
13- 636	53	10
14- 636	55	10
14- 668	7	3
14- 720	41	12
13- 816	45	25
13- 820	7	16
14- 828	45	23
13- 852	7	21
13- 1020	45	33
13- 1024	7	24
13- 1042	33	7
13- 1046	5	
13- 1048	5	12
13- 1048	5	16
13- 1256	5	17
14-1012H	7	3
13-1010b	7	10

NUMERICAL INDEX

PART NO.	PAGE NO.	REF. NO.	PART NO.	PAGE NO.	REF. NO.	PART NO.	PAGE NO.	REF. NO.			
62-	324	17	7	92-	17	31	17	138-	138	39	55
62-	424	19	7	92-	12	33	56	138-	138	39	48
64-	640	25	52	95-	5	39	53	138-	140	39	7
92-	4	21	20	95-	2	41	7	138-	140	39	12
92-	4	25	20	95-	12	33	35	138-	142	5	11
92-	4	34	26	129-	8	63	37	138-	142	71	38
92-	4	53	20	131-	105	11	71	138-	142	23	36
92-	4	53	33	131-	357	7	14	138-	142	27	42
92-	5	21	23	132-	4	37	48	138-	142	27	50
92-	5	25	23	132-	6	71	8	138-	142	27	55
92-	5	41	26	132-	6	74	8	138-	142	61	4
92-	5	45	16	132-	6	75	4	138-	142	63	4
92-	5	53	23	132-	6	93	9	138-	142	65	4
92-	5	53	39	132-	6	55	8	138-	142	67	4
92-	5	55	32	132-	6	55	7	138-	142	69	4
92-	6	5	4	132-	6	55	25	138-	142	71	2
92-	6	21	5	132-	25	7	15	138-	142	73	2
92-	6	21	11	132-	25	13	14	138-	142	75	2
92-	6	21	26	132-	25	14	21	138-	142	77	2
92-	6	23	5	132-	25	17	39	138-	142	79	2
92-	6	23	11	132-	26	39	52	138-	190	11	22
92-	6	25	5	132-	45	17	23	138-	190	13	25
92-	6	25	13	132-	45	15	24	138-	190	17	23
92-	6	25	26	132-	47	17	13	138-	190	19	25
92-	6	25	45	132-	47	39	16	138-	200	34	29
92-	6	31	14	132-	47	19	65	141-	6	33	59
92-	6	31	22	132-	48	13	29	164-	71	47	59
92-	6	35	5	132-	48	47	35	166-	54	51	2
92-	6	35	9	132-	99	9	18	166-	54	53	2
92-	6	35	15	132-	99	11	17	166-	55	51	2
92-	6	35	22	132-	107	13	13	166-	55	53	2
92-	6	35	33	132-	102	19	13	175-	415	47	23
92-	6	37	26	132-	148	13	24	178-	426	57	18
92-	6	37	33	138-	57	21	7	178-	426	59	2
92-	6	39	79	138-	57	23	2	178-	426	59	11
92-	6	41	17	138-	57	25	2	178-	426	59	61
92-	6	41	20	138-	57	35	2	181-	714	31	11
92-	6	47	44	138-	57	35	11	181-	715	31	2
92-	6	49	4	138-	57	53	2	193-	14	7	35
92-	6	53	5	138-	57	55	2	193-	14	11	38
92-	6	53	11	138-	57	55	2	193-	14	15	45
92-	6	53	20	138-	61	41	6	193-	15	17	39
92-	6	55	8	138-	65	9	45	193-	15	19	35
92-	6	55	11	138-	65	11	44	195-	25	37	32
92-	7	41	4	138-	65	15	55	195-	33	53	25
92-	7	41	13	138-	79	61	15	195-	53	53	33
92-	8	7	17	138-	79	67	15	211-	5	15	45
92-	8	7	22	138-	79	69	15	211-	12	85	7
92-	8	9	5	138-	79	71	13	211-	12	87	7
92-	8	11	7	138-	79	71	13	213-	6	33	29
92-	8	14	8	138-	79	73	13	214-	253	23	21
92-	8	17	8	138-	79	77	13	214-	253	55	21
92-	8	19	8	138-	79	79	13	214-	258	45	19
92-	8	19	8	138-	90	79	13	214-	258	47	50
92-	8	43	23	138-	90	9	23	214-	258	47	61
92-	8	43	23	138-	104	29	6				
92-	8	45	8	138-	104	29	8				
92-	8	45	24	138-	130	41	15				
92-	8	45	36	138-	136	9	5				
92-	10	5	14	138-	136	11	4				
92-	10	7	4	138-	136	13	5				
92-	10	7	11	138-	136	17	5				
92-	10	7	25	138-	136	19	5				
92-	10	33	5	138-	136	57	1				
92-	10	45	34	138-	138	37	43				







Printed in U.S.A.

**CASE CORPORATION**  
700 STATE STREET  
RACINE, WI 53404 U.S.A.

**CASE CANADA CORPORATION**  
450 SHERMAN AVENUE  
HAMILTON, ON L8N 4C4 CANADA