

**Model 580 CK Forklift
Includes Rev. 1 & 2**

Parts Catalog


B994

Reprinted

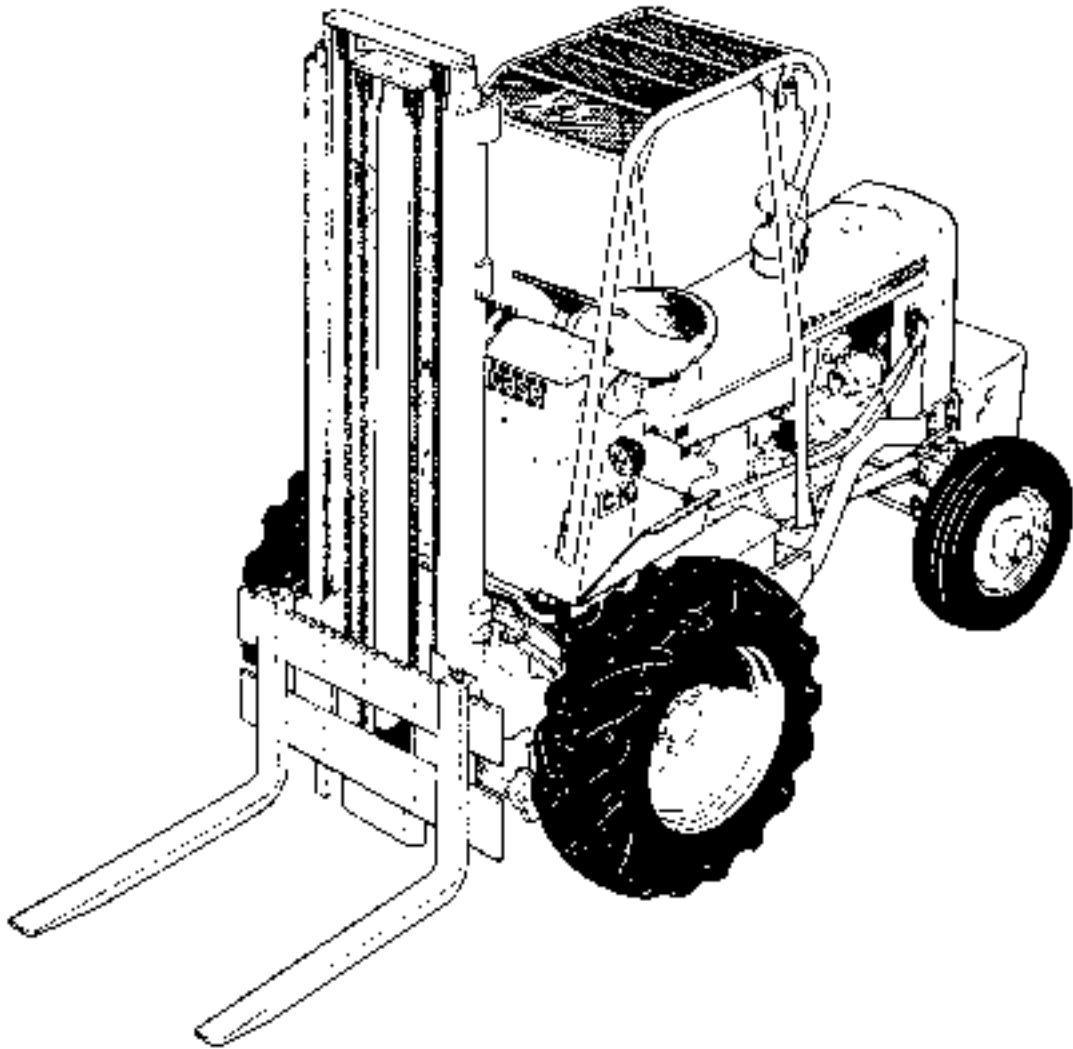
CASE

580CK FORK LIFT

Parts Catalog No. B994

Hi-Loc 2000 8-74 

NOTE: This Parts Catalog replaces the previous issue No. A994 which is obsolete and should be discarded.



Indexes

This Parts Catalog is arranged for easy identification of Genuine CASE Service Parts. An alphabetical index is provided at the front of this Catalog to locate the major groups or assemblies. A numerical index at the rear of the Catalog gives the part numbers and the pages on which they are described.

Illustrations

All parts are illustrated in "Exploded Views" which show the individual parts in their normal relationship to each other. Reference numbers are used in the illustrations. These numbers correspond to those in the "Reference Number" column and are followed by the part number, description and quantity required.

Orders

Orders should plainly specify correct part number, full description, quantity required, machine model and engine model, machine and engine serial numbers, method of shipment and shipping address.

Changes

When changes to the machine make it necessary, revised pages for this book will be issued. The revised pages will be issued with the same page number as those they replace and the "issue" number and date will be advanced.

It is imperative that revised Parts Book pages be inserted into their respective Parts Books as soon as received. Failure to do so will lead to confusion and defeat the purpose of the book.

Indented Description

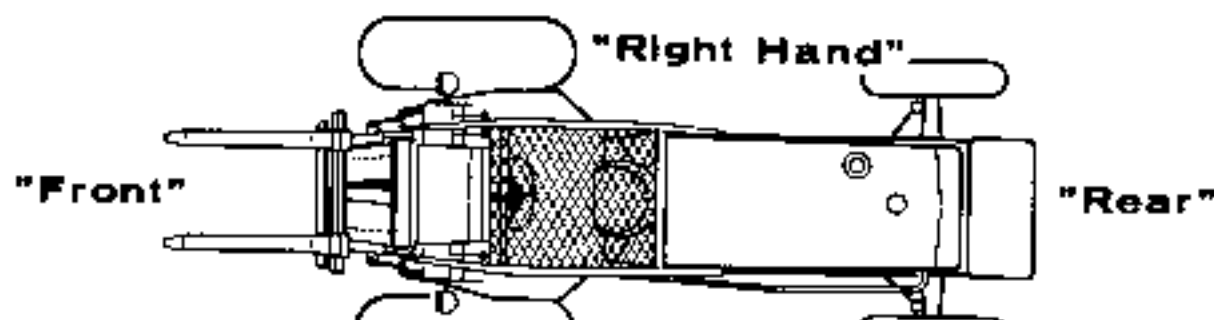
Indented parts in the description list are a part of the preceding assembly or sub-assembly. The quantity shown in the "Number Required" column is the number of parts used on a machine except where parts are indented in descriptive list. In this case the quantity shown is the number required for the preceding assembly or sub-assembly.

REF	PART NO	DESCRIPTION	REQ'D.
	A 55159	CYLINDER ASSY. - rear steering	1
28	A 56208	SOCKET ASSY. - rear cylinder	1
29	A 55956	PLUG - adjusting, socket assy	1
30	A 55957	SEAT - socket ball	2
31	A 56210	SPRING - socket	1
32	A 56209	SEAT - socket spring	1
33	G 45175	CLAMP ASSY. - socket assy	1
34	16- 836	RHC'S - 1 2" - 20 NF x 2-1 4"	1
35	132- 104	PIN - cotter, 3 16" dia x 3"	1

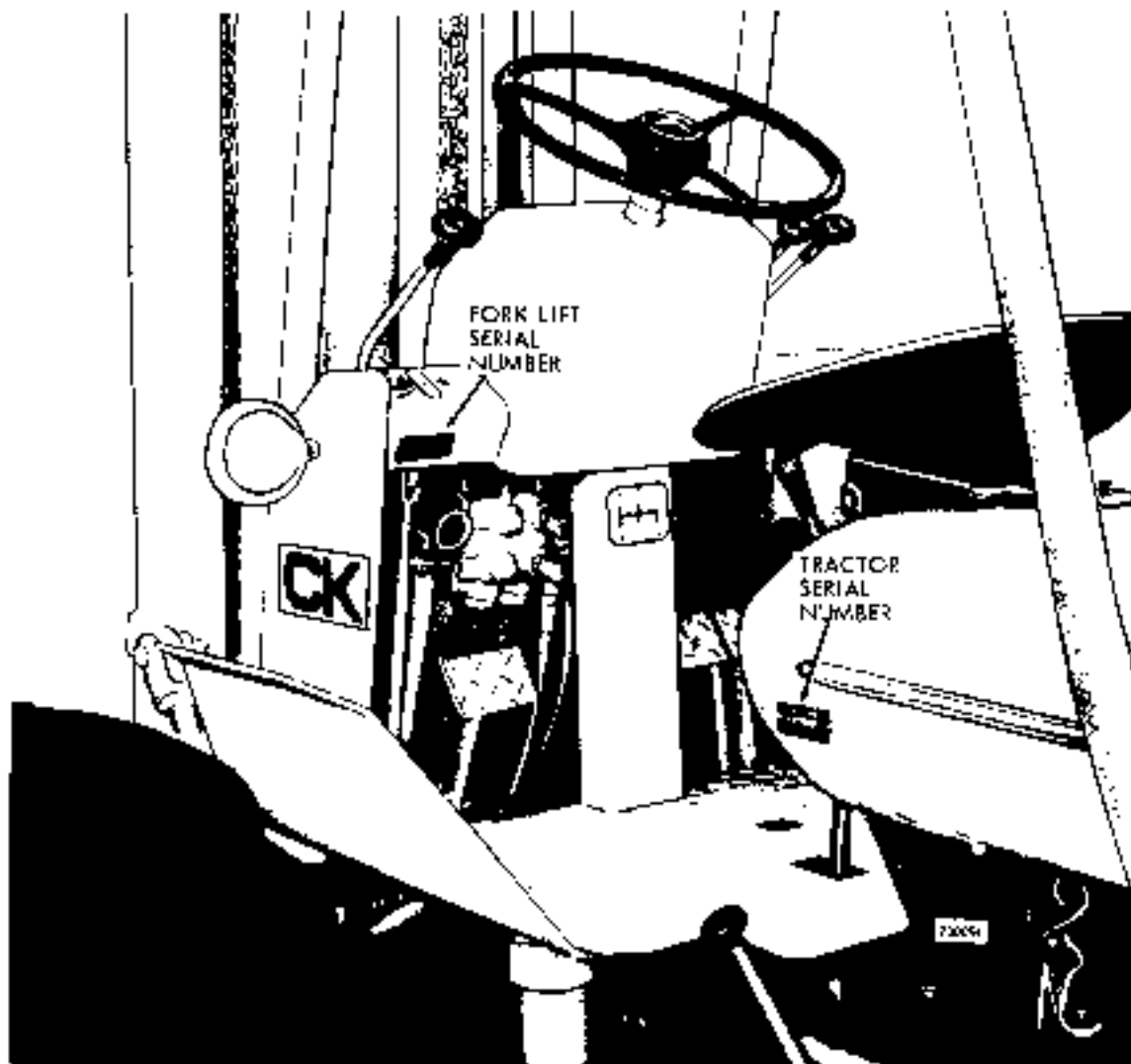
Terms "Right Hand" and "Left Hand" "Front" and "Rear"

The terms "Right Hand" and "Left Hand" sides of the fork lift are determined by sitting in the operator's seat facing the mast.

The terms "Front" and "Rear" of the fork lift are also determined by sitting in the operator's seat facing the mast.



**MODEL 580 CONSTRUCTION KING FORK LIFT
SERIAL NUMBER LOCATION**



4 **MODEL 580 CONSTRUCTION KING FORK LIFT**
ALPHABETICAL INDEX

A

Accessory Attachments - Optional 27-39
 Accessory Hydraulics - Loader Bucket
 (10-1/2', 12' and 14-1/4' Masts) 77
 Accessory Hydraulics - Loader Bucket
 (21-1/2' Mast) 79
 Accessory Hydraulics - Log Clamp 33
 Accessory Hydraulics - Side Shifter
 (4000 lb. lift capacity) 27
 Accessory Hydraulics - Side Shifter
 (5000 lb. lift capacity) 29

B

Blade - Dozer 37
 Boom - Crane 39
 Bucket - Loader 35
 Bucket - Cement 35
 Brake - Pedals and Linkage 47,49

C

Chain - Lift 9-23,29
 Clutch - Pedal and Linkage 47
 Control Tower 43,45
 Control - Levers and
 Linkage 27,29,33,51,55,77,79
 Counterweight - Fork Lift 7
 Counterweight - Hydraulic Hose 73
 Cylinder - Lift (10-1/2' Mast) 81
 Cylinder - Lift (12' Mast) 81
 Cylinder - Lift (14-1/4' Mast) 83
 Cylinder - Lift (21-1/2' Mast) 83
 Cylinder - Loader Bucket 85
 Cylinder - Log Clamp 91
 Cylinder - Side Shift 65,69
 Cylinder - Tilt 66,87

D

Decal Kit 96
 Drive - Pump 71

E

Electrical System - Diesel 61,63
 Electrical System - Gasoline 65,67

F

Filter - Hydraulic Oil 73
 Forks - Cement Block 31
 Forks - Logging 31
 Forks - Pallet 31
 Frame - Fork Lift Sub 7

G

Guard - Overhead 41

H

Hose and Fitting Conversion Part
 Numbers 99
 Hydraulics - Fork Lift Primary 71
 Hydraulics - Lift Cylinder 75
 Hydraulics - Loader Bucket
 (10-1/2', 12' and 14-1/4' Masts) 77
 Hydraulics - Loader Bucket (21-1/2' Mast) 79
 Hydraulics - Log Clamp 33
 Hydraulics - Side Shifter
 (4000 lb. Lift Capacity) 27
 Hydraulics - Side Shifter
 (5000 lb. Lift Capacity) 29
 Hydraulics - Steering 57,59
 Hydraulics - Tilt Cylinder 75

L

Lamps - Head 61-67
 Levers - Fork Lift Control 27,29,33,51,53,77,79
 Linkage - Brakes 47,49
 Linkage - Clutch 47
 Linkage - Post Turret 47
 Linkage - Shuttle 51,53

M

Mast and Related Parts
 (10-1/2' 4000 lb. Lift Capacity) 9,11
 Mast and Related Parts
 (12' 5000 lb. Lift Capacity) 23
 Mast and Related Parts
 (14-1/4' 4000 lb. Lift Capacity) 13,15
 Mast and Related Parts
 (14-1/4' 5000 lb. Lift Capacity) 25
 Mast and Related Parts
 (21-1/2' 4000 lb. Lift Capacity) 17-21

N

Numerical Index 100

P

Pedals - Foot 47,49
 Pump - Drive 71
 Pump - Hydraulic 93

S

Seat - Fork Lift, Operator's 57,59
 Shuttle - Lever and Linkage 51,53
 Side Shifter - 4000 lb. Lift Capacity 27
 Side Shifter - 5000 lb. Lift Capacity 29
 Steering - Wheel and Hydraulics 57,59
 Subframe - Fork Lift 7

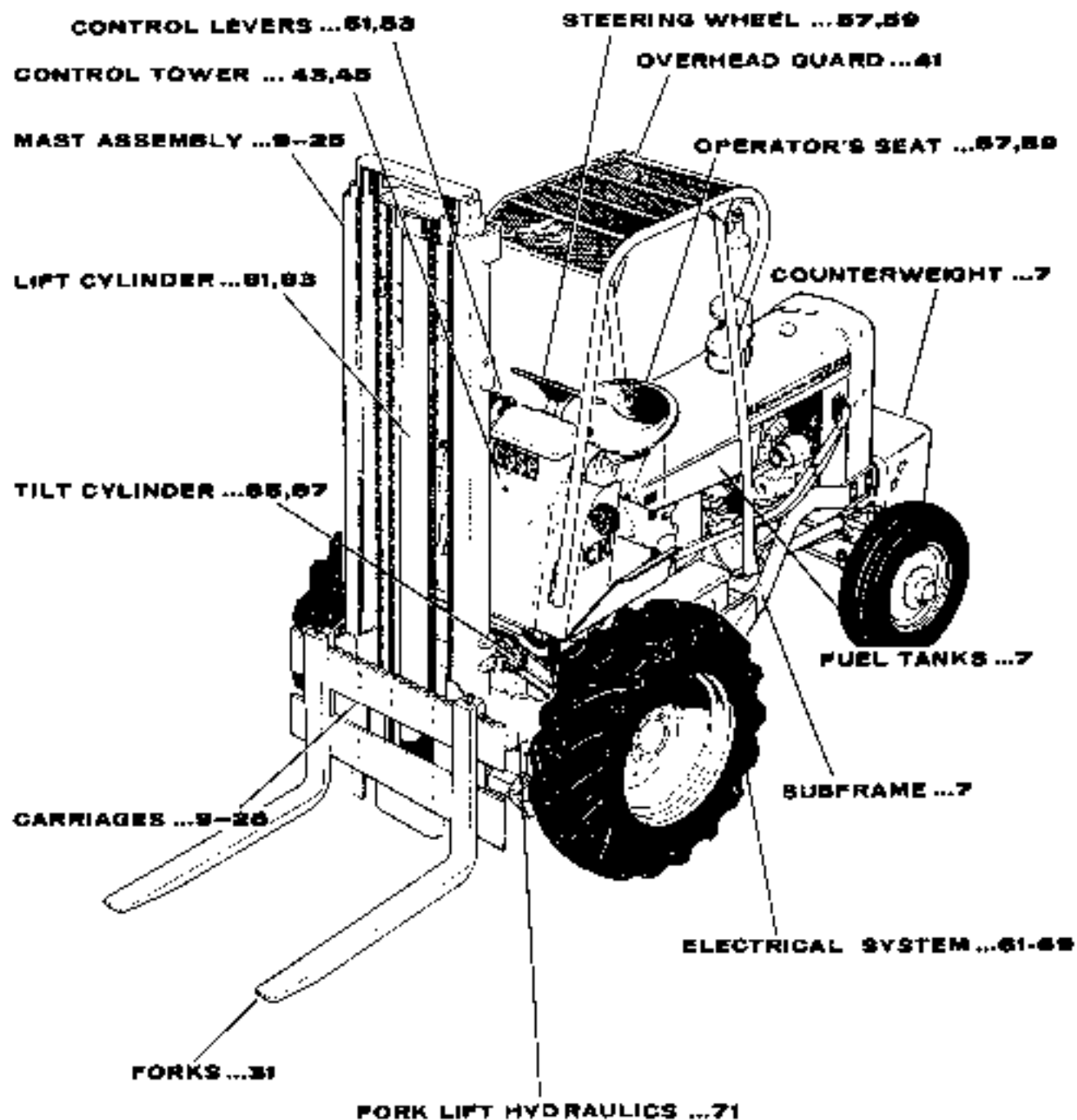
T

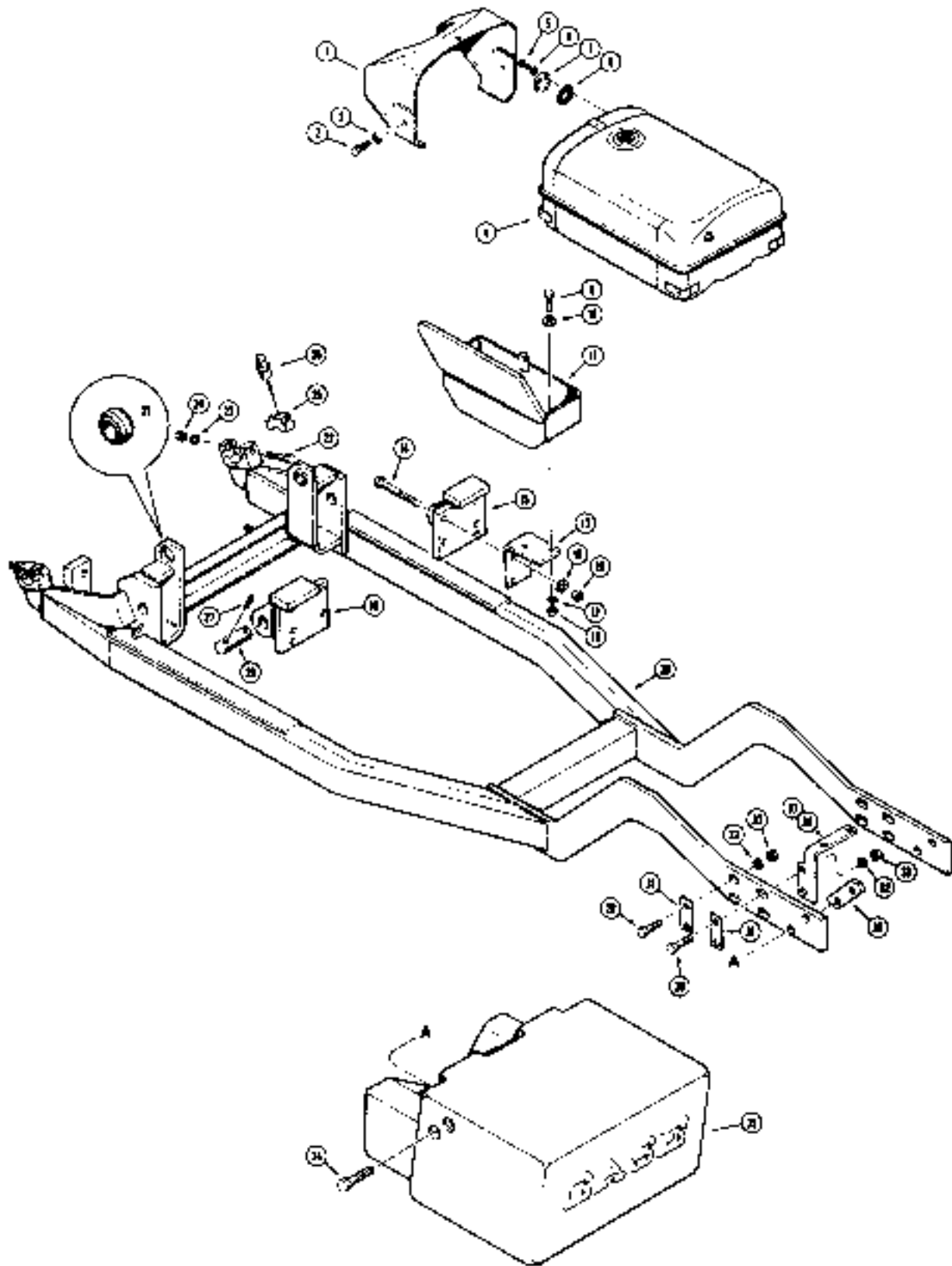
Tanks - Fuel 7
 Tool Box 7
 Tower - Control 43,45

V

Valve - Hydraulic Control 95

MODEL 580 CONSTRUCTION KING FORK LIFT
PICTORIAL INDEX

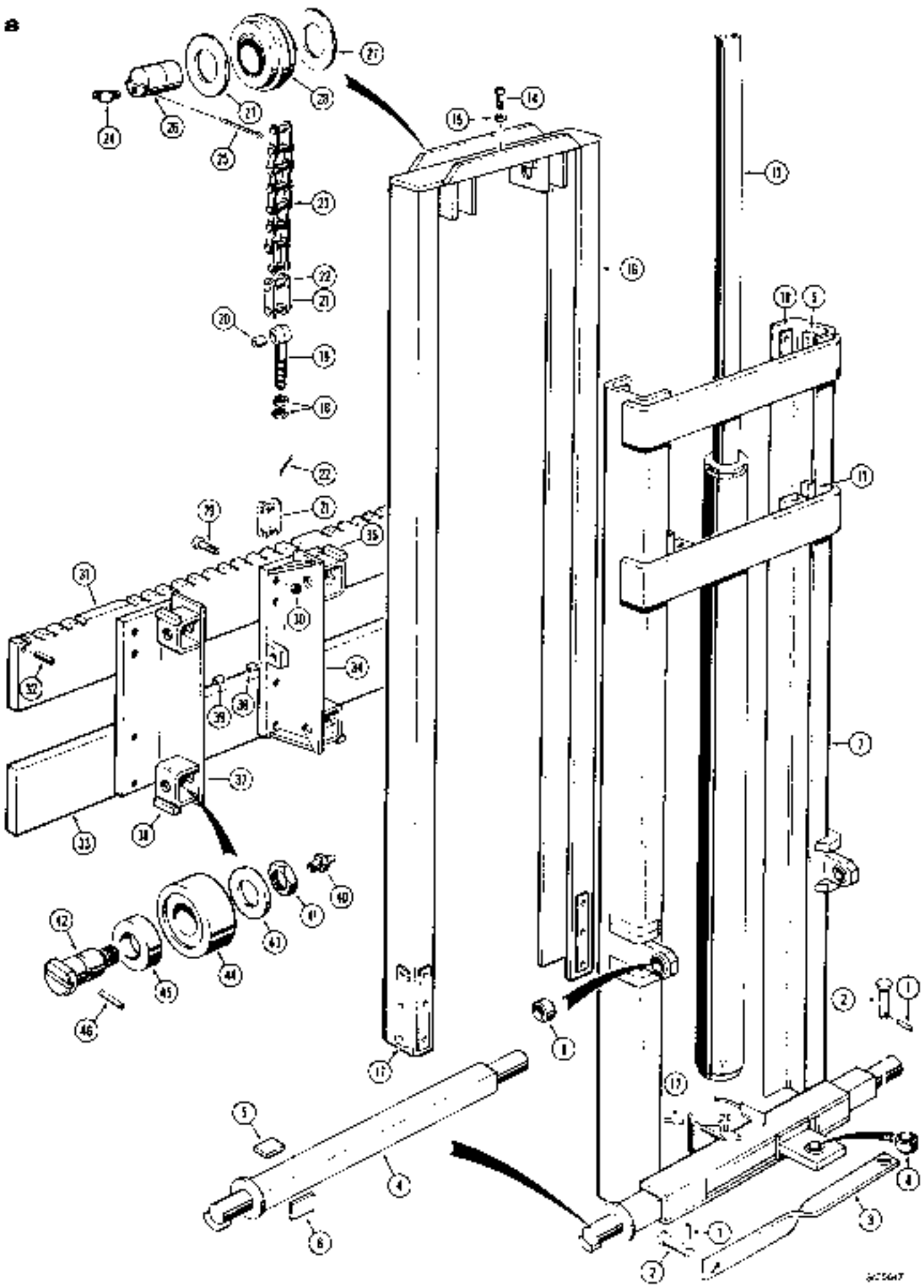




MODEL 580 CONSTRUCTION KING FORK LIFT 7

SUBFRAME AND RELATED PARTS

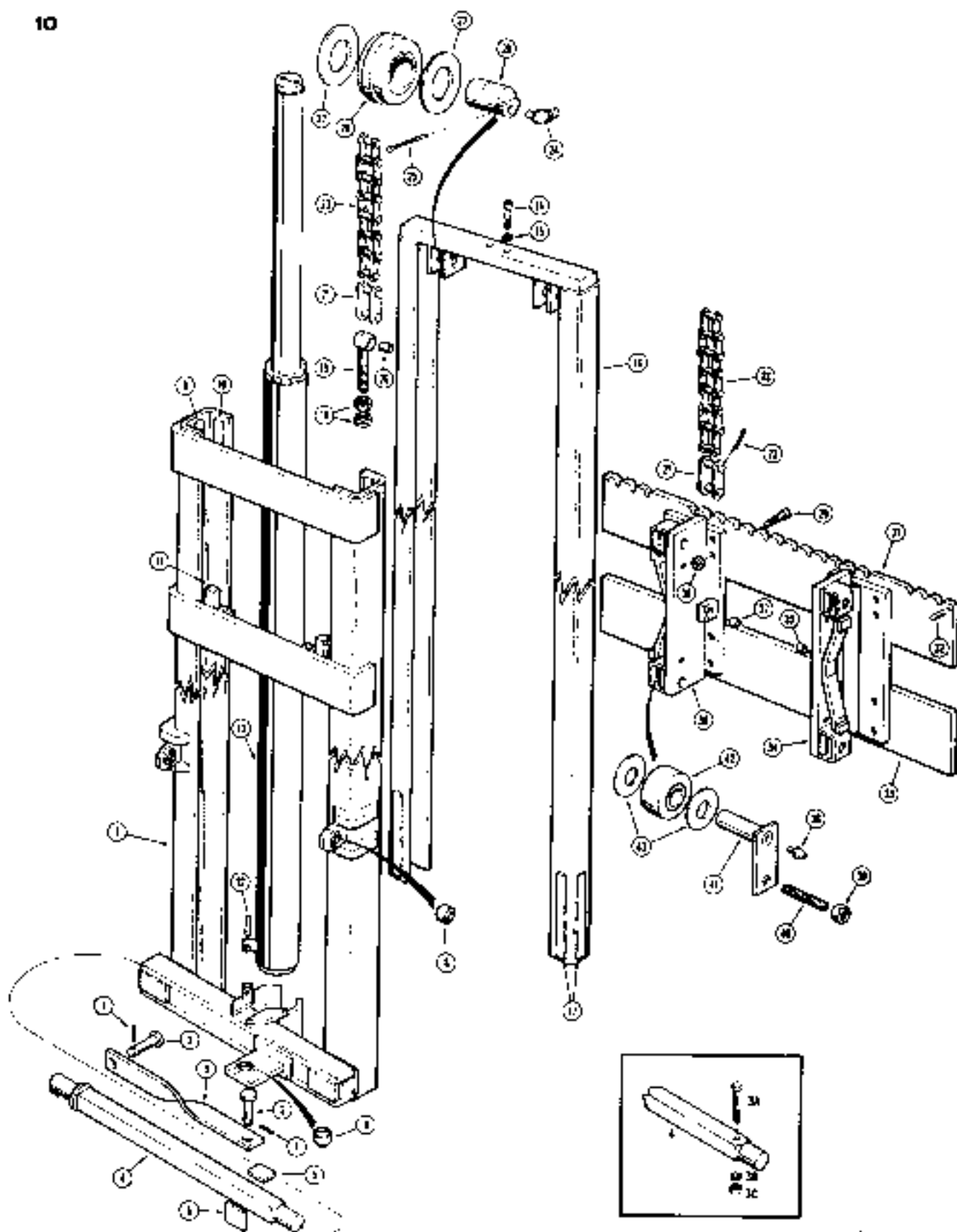
REF.	PART NO.	DESCRIPTION	REQ'D.
1	A 37914	COWL - at fuel tank	1
2	114- 9	HHCS - 1/4" - 28 NF x 3/8" (Zinc plated)	3
3	195- 517	WASHER - plain, 1.4" (Zinc plated)	3
4	A 37306	TANK - fuel, diesel (See Model 580 Construction King Wheel Tractor Parts Catalog for related parts)	1
	A 37308	TANK - fuel, gasoline (See Model 580 Construction King Wheel Tractor Parts Catalog for related parts)	1
5	174- 96	SCREW - machine, #10 - 32 NF x 7/16"	5
6	92- 3	WASHER - med. sect. lock (3/16")	5
7	G 18143	COVER - fuel tank	1
8	A 11822	GASKET - cover	1
9	13- 518	HHCS - 3/8" - 16 NC x 1"	2
10	95- 6	WASHER - standard wrod (3/8")	2
11	A 11090	TOOL BOX	1
12	92- 6	WASHER - med. sect. lock (3/8")	2
13	25- 106	NUT - hex. (3/8" - 16 NC)	2
14	113- 639	HHCS - 5/8" - 11 NC x 8"	8
15	D 29829	BRACKET - subframe to axle housing, R.H.	1
16	D 29830	BRACKET - subframe to axle housing, L.H.	1
17	D 40832	BRACKET - tool box	1
18	A 28084	WASHER - special (5/8")	8
19	129- 563	NUT - hex., lock (5/8" - 11 NC)	8
20	D 40833	SUBFRAME - fork lift (Diesel Models)	1
	D 40831	SUBFRAME - fork lift (Gasoline Models)	1
21	D 40843	BUSHING - pivotal ball trace	2
22	13- 668	HHCS - 3/8" - 16 NC x 4-1/4"	2
23	92- 6	WASHER - med. sect. lock (3/8")	2
24	25- 106	NUT - hex. (3/8" - 16 NC)	2
25	D 38366	WEDGE - trunion	2
26	219- 13	FITTING - straight, grease (3/16" drive)	2
27	138- 142	PIN - roll, 1/4" dia. x 2"	4
28	D 34430	PIN - subframe to bracket	2
29	13- 1036	HHCS - 5/8" - 11 NC x 2-1/4"	4
30	13- 1048	HHCS - 5/8" - 11 NC x 3"	4
31	D 33174	PLATE - retaining	4
32	92- 10	WASHER - med. sect. lock (5/8")	8
33	25- 1010	NUT - hex. (5/8" - 11 NC)	8
34	13- 1255	HHCS - 3/4" - 10 NC x 3-1/2"	4
35	D 32691	COUNTERWEIGHT - cent. 2200 lbs. (Used with 4000 lb. lift capacity mast)	1
	D 40704	COUNTERWEIGHT - cent. 2765 lbs. (Used with 5000 lb. lift capacity mast)	1
36	D 33292	PLATE - bolt mounting	2
37	D 40384	BRACKET - grill support, R.H.	1
38	D 40383	BRACKET - grill support, L.H.	1



**MAST AND RELATED PARTS (10-1/2 FOOT)
4000 LB. LIFT CAPACITY
(EARLY PRODUCTION)***

REF.	PART NO.	DESCRIPTION	REQ'D.
D	40697	MAST - complete, 10-1/2' (4000 lb. lift capacity) When stock is exhausted, use D45562 (See page 11)	2
1	138- 142	PIN - roll, 1/4" dia x 2"	2
2	D 36819	PIN - tie bar mounting	2
3	D 40839	TIE BAR - outer mast channel	1
4	D 40842	BAR - trunnion	1
5	D 40841	BEARING - horizontal	4
6	D 40840	BEARING - vertical	4
7	D 40838	CHANNEL - outer	1
8	D 40843	BUSHING - pivotal ball type	3
9	D 32555	PLATE - wear, brass (1 3/8" x 1-1.4" x 5")	2
10	D 27356	PLATE - wear, brass (1/8" x 1-1.4" x 7")	4
11	D 41505	PLATE - wear, brass (3/16" x 1/2" x 4-1/2")	2
12	138- 136	PIN - roll, 1/4" dia x 1-1/4"	1
13	D 24173	CYLINDER - hydraulic, lift (3-1/2" I.D. x 63" stroke) Parts list page 81	1
14	02- 824	SCREW - hex socket head (1 2" - 20 NF x 1-1 2")	2
15	02- 8	WASHER - med sect lock (1/2")	2
16	D 24330	CHANNEL - inner	1
17	60972	PLATE - wear, brass (1 3/8" x 1-1.4" x 11")	6
18	25- 118	NUT - hex (1 2" - 20 NF)	4
19	60948	BOLT - eye, chain anchor	2
20	D 26196	BUSHING - eye bolt	1
21	D 32583	LINK - connecting, lift chain	4
22	132- 25	PIN - cutter, 3/32" dia x 5 8	2
23	D 32588	CHAIN - lift, rollerless	2
24	219- 53	FITTING - grease, 67-1/2" (3/16" drive)	2
25	132- 99	PIN - cutter, 3/16" dia x 2"	2
26	60939	PIN - guide wheel	2
27	60944	WASHER - thrust	4
28	D 32588	WHEEL - chain guide	2
29	61- 828	SCREW - hex socket head (1 2" - 13 NC x 1-3 4")	16
30	25- 148	NUT - hex, pan (1 2" - 13 NC)	16
31	D 24324	PLATE - backing, upper	1
32	138- 190	PIN - roll, 7/16" dia x 2"	2
33	D 24325	PLATE - backing, lower	1
34	*D 39703	CARRIAGE ASSEMBLY - R.H.	1
35	D 41503	WEAR BLOCK - carriage	2
36	D 26196	BUSHING - chain anchor	1
37	*D 39704	CARRIAGE - L.H.	1
38	D 41503	WEAR BLOCK - carriage	2
39	D 26196	BUSHING - chain anchor	1
40	D 39899	AXLE KIT - load roller	4
40	219- 13	FITTING - straight, grease (3/16" drive)	1
41	D 39477	NUT - special	1
42	NSS	AXLE - load roller	1
43	60917	WASHER - thrust	4
44	60915	ROLLER - load	4
45	60916	WASHER - spacer	4
46	138- 65	PIN - roll, 1 3/8" dia x 1-1 2"	4

*NOTE: Carriages must be aligned and drilled at time of installation. Early and late production masts can be distinguished by differences in carriages.

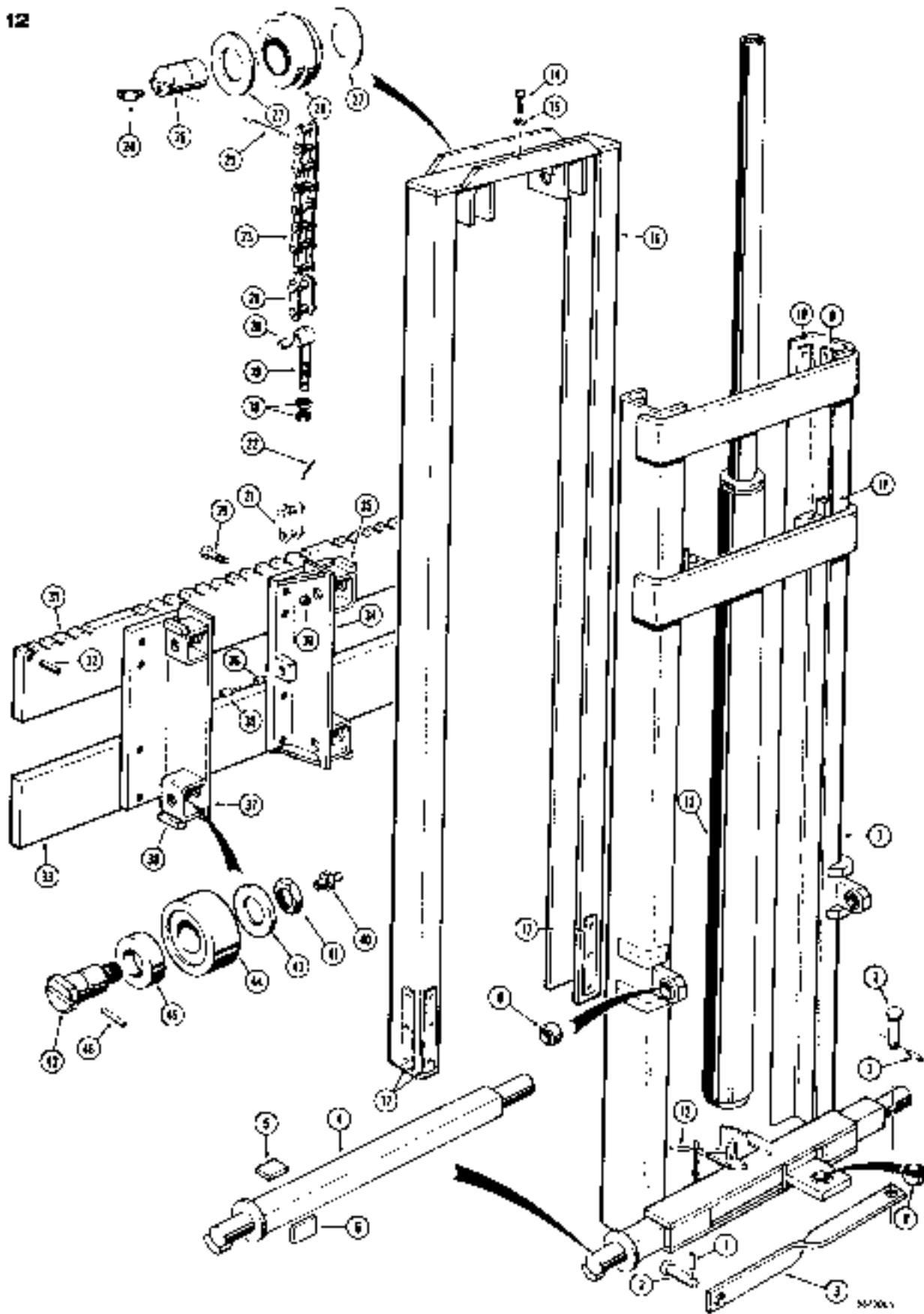


MODEL 580 CONSTRUCTION KING FORK LIFT 11

**MAST AND RELATED PARTS (10-1/2 FOOT)
4000 LB. LIFT CAPACITY
(LATE PRODUCTION)***

REF.	PART NO.	DESCRIPTION	REQ'D.
	D 45562	MAST - complete, 10-1/2' (4000 lb. lift capacity)	1
1	138- 2039	PIN - spiral, 1/4" x 2" (Used with D40839 tie bar)	2
2	D 36819	PIN - tie bar mounting (Used with D40839 tie bar)	2
3	D 40839	TIE BAR - outer mast channel (Not used when items 3A, 3B and 3C are used)	1
3A	13- 872	HHCS - 1/2" - 13 NC x 4-1/2" (U used)	1
3B	92- 8	WASHER - med. sect. lock (1/2")	1
3C	25- 108	NUT - hex. (1/2" - 13 NC)	1
4	D 40842	BAR - trunnion	1
5	D 40841	BEARING - horizontal	4
6	D 40840	BEARING - vertical	4
7	D 47887	CHANNEL - outer	1
8	D 40843	BUSHING - oval (ball) type	3
9	D 32555	PLATE - wear, brass (1/8" x 1-1/4" x 5")	2
10	D 27366	PLATE - wear, brass (1/8" x 1 1/4" x 7")	4
11	D 47895	PLATE - wear, bronze (5/16" x 1/2" x 4-1/2")	2
12	138- 2007	PIN - spiral, 1/4" dia. x 1-1/4"	1
13	D 24173	CYLINDER - hydraulic, lift (3-1/2" I.D. x 63" stroke) Parts list page 61	1
14	62- 824	SCREW - hex. socket head (1/2" - 20 NF x 1-1/2")	2
15	92- 8	WASHER - med. sect. lock (1/2")	2
16	D 47888	CHANNEL - inner	1
17	60972	PLATE - wear, brass (1/8" x 1-1/4" x 11")	6
18	25- 118	NUT - hex. (1/2" - 20 NF)	4
19	60948	BOLT - eye, chain anchor	2
20	D 26196	BUSHING - eye bolt	1
21	D 32583	LINK - connecting, lift chain	4
22	132- 25	PIN - cotter, 3/32" dia. x 5/8"	2
23	D 32586	CHAIN - lift, rollerless	2
24	219- 53	FITTING - grease, 67-1/2" (3/16" drive)	2
25	132- 99	PIN - cotter, 3/16" dia. x 2"	2
26	60939	PIN - inside wheel	2
27	60944	WASHER - thrust	4
28	D 32588	WHEEL - chain guide	2
29	61- 828	SCREW - hex. socket head (1/2" - 13 NC x 1-3/4")	16
30	25- 148	NUT - hex. brass (1/2" - 13 NC)	16
31	D 47875	PLATE - backing, upper	1
32	139- 2050	PIN - spiral, 7/16" dia. x 2"	2
33	D 47876	PLATE - backing, lower	1
34	*D 47901	CARRIAGE ASSEMBLY - R H	1
35	D 26196	BUSHING - chain anchor	1
36	*D 47902	CARRIAGE ASSEMBLY - L H	1
37	D 26196	BUSHING - chain anchor	1
38	219- 13	FITTING - straight, grease (3/16" drive)	4
39	25- 148	NUT - hex. brass (1/2" - 13 NC)	4
40	178- 693	SHSS - 1/2" - 13 NC x 3"	4
41	D 47899	AXLE - load roller	4
42	D 47894	ROLLER - load	4
43	60917	WASHER - thrust	8

*NOTE: Carriages must be aligned and drilled at time of installation. Early and late production masts can be distinguished by differences in carriages.

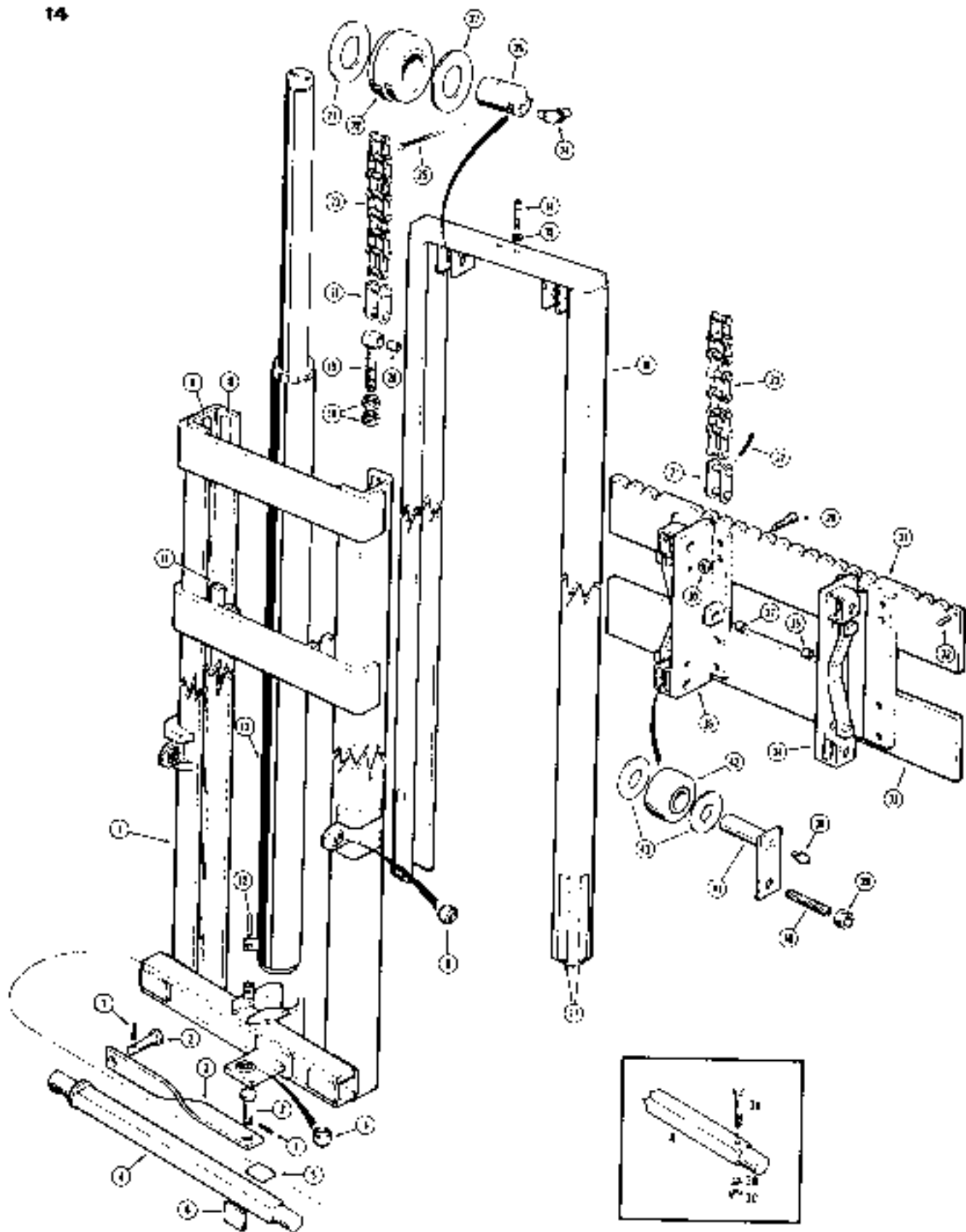


MODEL 580 CONSTRUCTION KING FORK LIFT 13

**MAST AND RELATED PARTS (14-1/4 FOOT)
4000 LB. LIFT CAPACITY
(EARLY PRODUCTION)***

REF.	PART NO.	DESCRIPTION	REQ'D.
	D 40599	MAST - complete, 14-1/4' (4000 lb. lift capacity) When stock is exhausted, use D45563 (See page 15)	1
1	138- 142	PIN - roll. 1/4" dia. x 2"	2
2	D 36819	PIN - tie bar mounting	2
3	D 40839	TIE BAR - outer mast channel	1
4	D 40842	BAR - trunnion	1
5	D 40841	BEARING - horizontal	4
6	D 40840	BEARING - vertical	4
7	D 40844	CHANNEL - outer	1
8	D 40843	BUSHING - pivotal ball type	3
9	D 32555	PLATE - wear, brass (1/8" x 1-1/4" x 5")	2
10	D 27368	PLATE - wear, brass (1/8" x 1-1/4" x 7")	4
11	D 41505	PLATE - wear, brass (3/16" x 1/2" x 4-1/2")	2
12	138- 136	PIN - roll. 1/4" dia. x 1-1/4"	1
13	60969	CYLINDER - hydraulic, lift (3-1/2" I.D. x 85-1/2" stroke) Parts list page 83	1
14	62- 824	SCREW - hex. socket head (1/2" - 20 NF x 1-1/2")	2
15	92- 8	WASHER - med. sect. lock (1/2")	2
16	60958	CHANNEL - inner	1
17	60972	PLATE - wear, brass (1/8" x 1-1/4" x 11")	6
18	25- 118	NUT - hex. (1/2" - 20 NF)	4
19	60948	BOLT - eye, chain anchor	2
20	D 26196	BUSHING - eye bolt	1
21	D 32583	LINK - connecting, lift chain	4
22	132- 25	PIN - cotter, 3/32" dia. x 5/8"	2
23	D 34446	CHAIN - lift, rollerless	2
24	219- 53	FITTING - grease, 67-1/2" (3/16" drive)	2
25	132- 99	PIN - cotter, 3/16" dia. x 2"	2
26	60939	PIN - guide wheel	2
27	60944	WASHER - thrust	4
28	D 32588	WHEEL - chain guide	2
29	61- 828	SCREW - hex. socket head (1/2" - 13 NC x 1-3/4")	16
30	25- 148	NUT - hex. iam (1/2" - 13 NC)	16
31	D 24324	PLATE - backing, upper	1
32	138- 190	PIN - roll. 7/16" dia. x 2"	2
33	D 24325	PLATE - backing, lower	1
34	*D 39703	CARRIAGE ASSEMBLY - R.H.	1
35	D 41503	WEAR BLOCK - carriage	2
36	D 26196	BUSHING - chain anchor	1
37	*D 39704	CARRIAGE - L.H.	1
38	D 41503	WEAR BLOCK - carriage	2
39	D 26196	BUSHING - chain anchor	1
40	D 39699	AXLE KIT - load roller	4
41	219- 13	FITTING - straight, grease (3/16" drive)	1
42	D 39477	NUT - special	1
43	NSS	AXLE - load roller	1
44	60917	WASHER - thrust	4
45	60915	ROLLER - load	4
46	60916	WASHER - spacer	4
46	138- 65	PIN - roll. 1/8" dia. x 1-1/2"	4

*NOTE: Carriages must be aligned and drilled at time of installation. Early and late production masts can be distinguished by differences in carriages.



MODEL 580 CONSTRUCTION KING FORK LIFT 15

**MAST AND RELATED PARTS (14-1/4 FOOT)
4000 LB. LIFT CAPACITY
(LATE PRODUCTION)***

REF.	PART NO.	DESCRIPTION	REQ'D.
	D 45563	MAST - complete, 14-1/4' (4000 lb. lift capacity)	1
1	138- 2039	PIN - spiral, 1/4" x 2" (Used with D40839 tie bar)	2
2	D 36819	PIN - tie bar mounting (Used with D40839 tie bar)	2
3	D 40839	TIE BAR - outer mast channel (Not used when items 3A, 3B and 3C are used)	1
3A	13- 872	HHCS - 1/2" - 13 NC x 4-1/2" (If used)	1
3B	92- 8	WASHER - med. sect. lock (1/2")	1
3C	25- 108	NUT - hex. (1/2" - 13 NC)	1
4	D 40842	BAR - trunnion	1
5	D 40841	BEARING - horizontal	4
6	D 40840	BEARING - vertical	4
7	D 47889	CHANNEL - outer	1
8	D 40843	BUSHING - pivotal ball type	3
9	D 32555	PLATE - wear, brass (1/8" x 1-1/4" x 5")	2
10	D 27366	PLATE - wear, brass (1/8" x 1-1/4" x 7")	4
11	D 47895	PLATE - wear, bronze (5/16" x 1/2" x 4-1/2")	2
12	138- 2007	PIN - spiral, 1/4" dia. x 1-1/4"	1
13	60969	CYLINDER - hydraulic, lift (3-1/2" I.D. x 63" stroke) Parts list page 83.	1
14	62- 824	SCREW - hex. socket head (1/2" - 20 NF x 1-1/2")	2
15	92- 8	WASHER - med. sect. lock (1/2")	2
16	D 47890	CHANNEL - inner	1
17	60972	PLATE - wear, brass (1/8" x 1-1/4" x 11")	6
18	25- 110	NUT - hex. (1/2" - 20 NF)	4
19	60948	BOLT - eye, chain anchor	2
20	D 26196	BUSHING - eye ball	1
21	D 32583	LINK - connecting, lift chain	4
22	132- 25	PIN - cotter, 3/32" dia. x 5/8"	2
23	D 34466	CHAIN - lift, rollerless	2
24	219- 53	FITTING - grease, 67-1/2" (3/16" drive)	2
25	132- 99	PIN - cotter, 3/16" dia. x 2"	2
26	60939	PIN - guide wheel	2
27	60944	WASHER - thrust	4
28	D 32588	WHEEL - chain guide	2
29	61- 828	SCREW - hex. socket head (1/2" - 13 NC x 1-3/4")	16
30	25- 148	NUT - hex., jam (1/2" - 13 NC)	16
31	D 47875	PLATE - backing, upper	1
32	138- 2050	PIN - spiral, 7/16" x 2"	2
33	D 47876	PLATE - backing, lower	1
34	*D 47901	CARRIAGE ASSEMBLY - R.H.	1
35	D 26196	BUSHING - chain anchor	1
36	*D 47902	CARRIAGE ASSEMBLY - L.H.	1
37	D 26196	BUSHING - chain anchor	1
38	219- 13	FITTING - straight, grease (3/16" drive)	4
39	25- 148	NUT - hex., jam (1/2" - 13 NC)	4
40	178- 693	SHSS - 1/2" - 13 NC x 3"	4
41	D 47899	AXLE - load roller	4
42	D 47894	ROLLER - load	4
43	60917	WASHER - thrust	8

*NOTE: Carriages must be aligned and drilled at time of installation. Early and late production masts can be distinguished by differences in carriages.

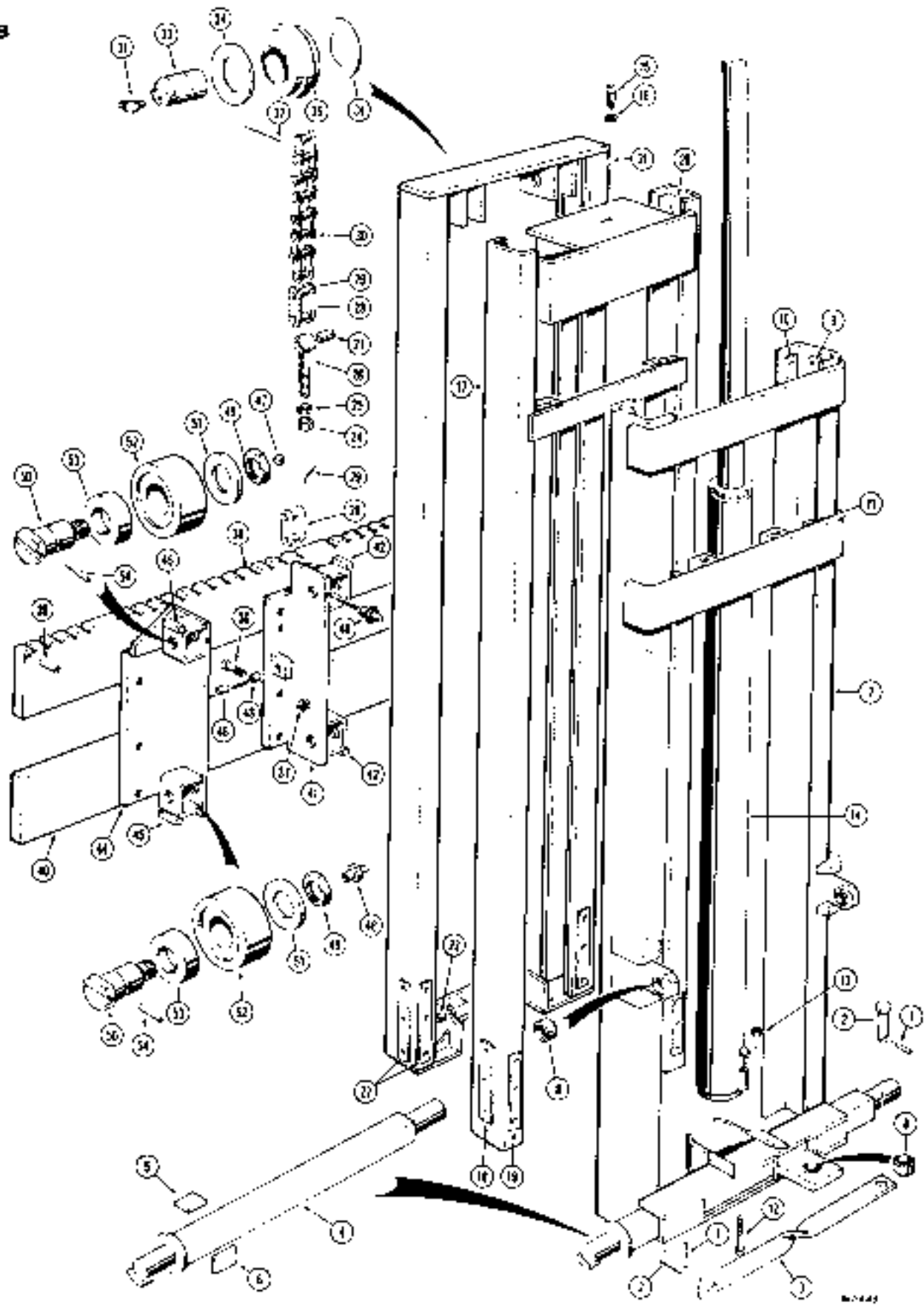
MODEL 580 CONSTRUCTION KING FORK LIFT 17

**MAST AND RELATED PARTS (21-1/2 FOOT)
4000 LB. LIFT CAPACITY
(EARLY PRODUCTION)***

REF.	PART NO.	DESCRIPTION	REQ'D.
	D 40700	MAST - complete, 21-1/2' (4000 lb. lift capacity) When stock is exhausted, use D45564 (See page 21)	1
1	138- 142	PIN - roll, 1/4" dia. x 2"	2
2	D 36819	PIN - tie bar mounting	2
3	D 40839	TIE BAR - outer mast channel	1
4	D 40842	BAR - trunnion	1
5	D 40841	BEARING - horizontal	4
6	D 40840	BEARING - vertical	4
7	D 40846	CHANNEL - outer	1
8	D 40843	BUSHING - pivotal ball type	3
9	D 32555	PLATE - wear, brass (1/8" x 1-1/4" x 5")	2
10	D 27363	PLATE - wear, brass (3/16" x 1-1/4" x 6")	4
11	D 41505	PLATE - wear, brass (3/16" x 1/2" x 4-1/2")	2
12	13- 796	NUT - hex., lock (7/16" - 14 NC)	1
13	131- 8	NUT - hex., lock (7/16" - 14 NC)	1
14	D 40847	CYLINDER - hydraulic, lift (4" I.D. x 85-3/16" stroke) Parts list page 83	1
15	62- 824	SCREW - hex. socket head (1/2" - 20 NF x 1-1/2")	2
16	92- 8	WASHER - med sect lock (1/2")	2
17	D 24334	CHANNEL - center	1
18	D 27362	PLATE - wear, brass (1/8" x 1-1/4" x 10")	2
19	D 27365	PLATE - wear, brass (3/16" x 1-1/4" x 10")	4
20	D 27364	PLATE - wear, brass (1/8" x 1-1/4" x 6")	6
21	D 24335	CHANNEL - inner	1
22	D 27362	PLATE - wear, brass (1/8" x 1-1/4" x 10")	6
23	D 26196	BUSHING - chain anchor	2
24	25- 1512	NUT - hex., jam (3/4" - 16 NF)	4
25	25- 1112	NUT - hex. (3/4" - 16 NF)	4
26	D 26200	BOLT - eye, chain anchor	4
27	D 26196	BUSHING - eye bolt, chain anchor	1
28	D 32583	LINK - connecting, bit chain	8
29	132- 25	PIN - cotter, 3/32" dia. x 5/8"	2
30	D 34447	CHAIN - outer channel to inner channel, 121 links	2
	D 34446	CHAIN - center channel to carriage, 113 links	2
31	219- 53	FITTING - grease, 67-1/2' (3/16" drive)	4
32	132- 99	PIN - cotter, 3/16" dia. x 2"	4
33	80939	PIN - guide wheel	4
34	60944	WASHER - thrust	8
35	D 32588	WHEEL - chain guide	4
36	61- 828	SCREW - hex. socket head, 1/2" - 13 NC x 1-3/4"	16
37	25- 148	NUT - hex., jam (1/2" - 13 NC)	16
38	D 24324	PLATE - backing, upper	1
39	138- 190	PIN - roll, 7/16" dia. x 2"	2
40	D 24325	PLATE - backing, lower	1
41	*D 39697	CARRIAGE ASSEMBLY - R.H.	1
42	D 41503	BLOCK - wear	2
43	D 26196	BUSHING - chain anchor	1
44	*D 39698	CARRIAGE ASSEMBLY - L.H.	1
45	D 41503	BLOCK - wear	2
46	D 26196	BUSHING - chain anchor	1

*NOTE: Carriages must be aligned and drilled at time of installation. Early and late production masts can be distinguished by differences in carriages.

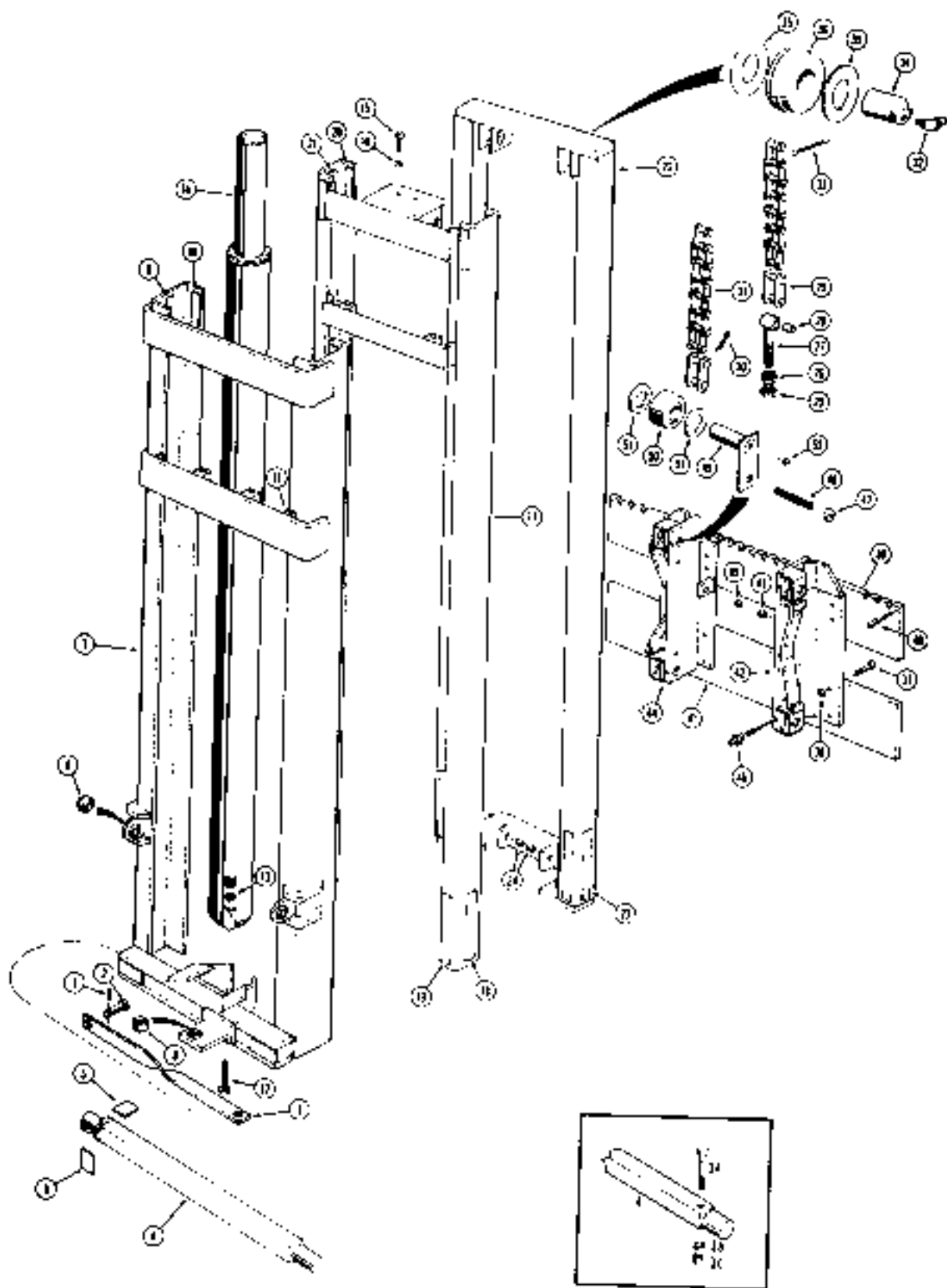
(Con't on next page)



MODEL 580 CONSTRUCTION KING FORK LIFT 19**MAST AND RELATED PARTS (21-1/2 FOOT)
4000 LB. LIFT CAPACITY
(EARLY PRODUCTION)***

REF.	PART NO.	DESCRIPTION	REQ'D.
	D 39699	AXLE KIT - load roller	4
47	211- 5	BALL - steel, 3/16" dia	1
48	219- 13	FITTING - straight, grease (3/16" drive)	1
49	D 39477	NUT - special	1
50	NSS	AXLE - load roller	1
51	60917	WASHER - thrust	4
52	60913	ROLLER - load	4
53	60916	WASHER - spacer	4
54	138- 65	PIN - roll, 1/8" dia. x 1-1/2"	4

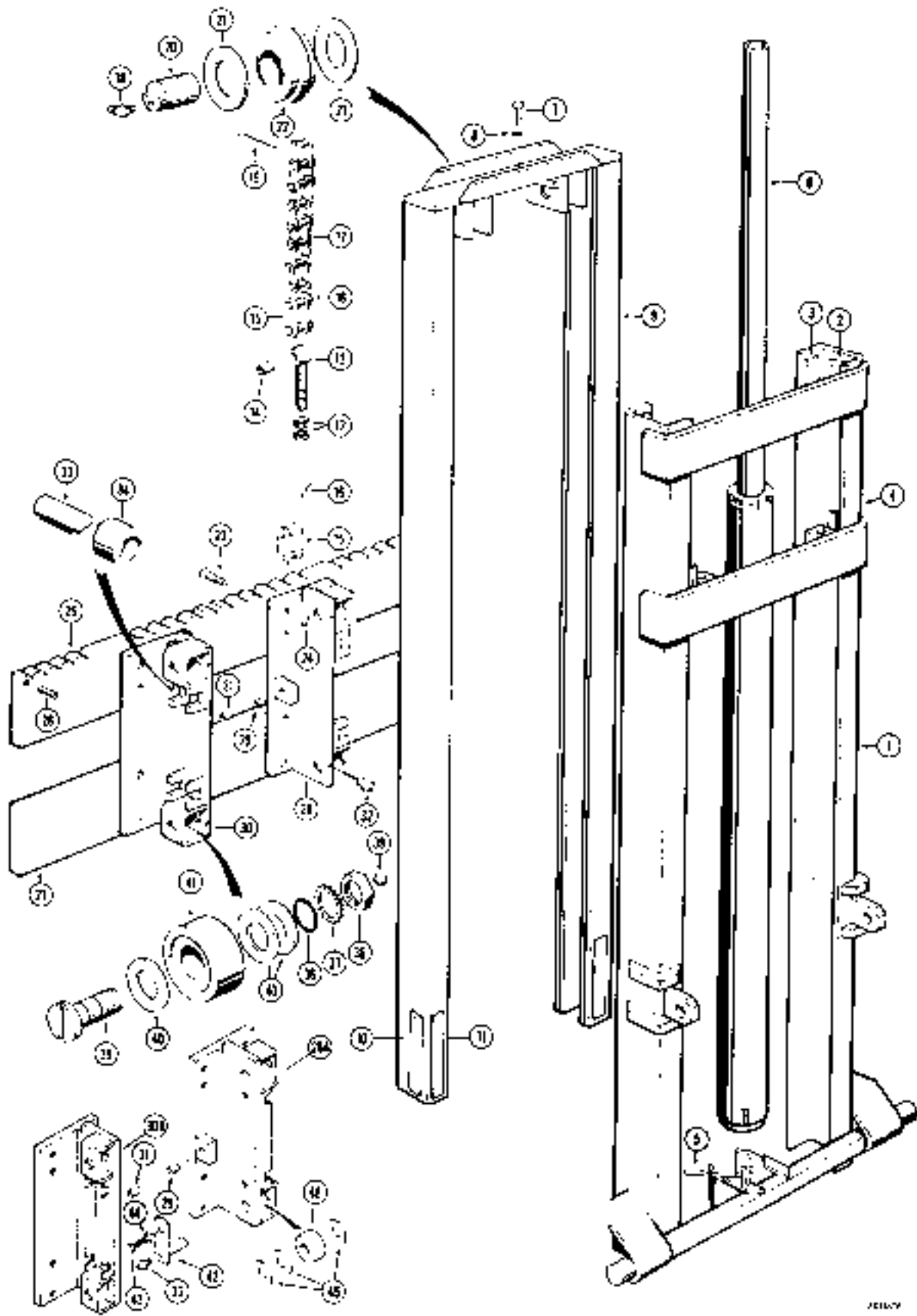
*NOTE: Carriages must be aligned and drilled at time of installation. Early and late production masts can be distinguished by differences in carriages.



MAST AND RELATED PARTS (21-1/2 FOOT)
4000 LB. LIFT CAPACITY
(LATE PRODUCTION)*

REF.	PART NO.	DESCRIPTION	REQ'D.
	D 45564	MAST - complete, 21-1/2' (4000 lb. lift capacity)	1
1	138- 2039	PIN - spiral, 1/4" x 2' (Used with D40839 tie bar)	2
2	D 36819	PIN - tie bar mounting (Used with D40839 tie bar)	2
3	D 40839	TIE BAR - outer mast channel (Not used when items 3A, 3B and 3C are used)	1
3A	13- 872	HHCS - 1/2" - 13 NC x 4-1/2" (If used)	1
3B	92- 8	WASHER - med. sect. lock (1/2")	1
3C	25- 108	NUT - hex. (1/2" - 13 NC)	1
4	D 40842	BAR - trunnion	1
5	D 40841	BEARING - horizontal	4
6	D 40840	BEARING - vertical	4
7	D 47891	CHANNEL - outer	1
8	D 40843	BUSHING - pivotal ball type	3
9	D 32555	PLATE - wear, brass (1/8" x 1-1/4" x 5")	2
10	D 27363	PLATE - wear, brass (3/16" x 1-1/4" x 6")	4
11	D 47885	PLATE - wear, bronze (5/16" x 1/2" x 4-1/2")	2
12	13- 796	HHCS - 7/16" - 14 NC x 6"	1
13	131- 8	NUT - hex., lock (7/16" - 14 NC)	1
14	D 40847	CYLINDER - hydraulic, lift (4" LD. x 65-3/16" stroke) Parts list page 83	1
15	62- 824	SCREW - hex. socket head (1/2" - 20 NF x 1-1/2")	2
16	92- 8	WASHER - med. sect. lock (1/2")	2
17	D 47892	CHANNEL - center	1
18	D 27362	PLATE - wear, brass (1/8" x 1-1/4" x 10")	2
19	D 27365	PLATE - wear, brass (3/16" x 1-1/4" x 10")	4
20	D 27364	PLATE - wear, brass (1/8" x 1-1/4" x 5")	4
21	D 32556	PLATE - wear, brass (1/8" x 1-1/4" x 5")	2
22	D 47893	CHANNEL - inner	1
23	60972	PLATE - wear, brass (1/8" x 1-1/4" x 11")	6
24	D 26196	BUSHING - chain anchor	2
25	25- 1512	NUT - hex., jam (3/4" - 16 NF)	4
26	25- 1112	NUT - hex. (3/4" - 16 NF)	4
27	D 28200	BOLT - eye, chain anchor	4
28	D 26196	BUSHING - eye bolt, chain anchor	1
29	D 32583	LINK - connecting, lift chain	8
30	132- 25	PIN - cotter, 3/32" dia. x 5/8"	2
31	D 34447	CHAIN - outer channel to inner channel, 121 links	2
	D 34446	CHAIN - center channel to carriage, 113 links	2
32	219- 53	FITTING - grease, 67-1/2" (3/16" drive)	4
33	132- 90	PIN - cotter, 3/16" dia. x 2"	4
34	60939	PIN - guide wheel	4
35	60944	WASHER - thrust	8
36	D 32588	WHEEL - guide	4
37	61- 828	SCREW - hex. socket head, 1/2" - (13 NC x 1-3/4")	16
38	25- 146	NUT - hex., jam (1/2" - 13 NC)	16
39	D 47875	PLATE - backing, upper	1
40	138- 2050	PIN - spiral, 7/16" dia. x 2'	2
41	D 47876	PLATE - backing, lower	1
42	*D 47877	CARRIAGE ASSEMBLY - R.H.	1
43	D 26196	BUSHING - chain anchor	1
44	*D 47878	CARRIAGE ASSEMBLY - L.H.	1
45	D 26196	BUSHING - chain anchor	1
46	219- 13	FITTING - straight, grease (3/16" drive)	4
47	25- 148	NUT - hex., jam (1/2" - 13 NC)	4
48	178- 693	SHSS - 1/2" - (13 NC x 3"	4
49	D 47899	AXLE - load roller	4
50	D 47894	ROLLER - load	4
51	60917	WASHER - thrust	8
52	211- 5	BALL - steel, 3/16" dia.	4

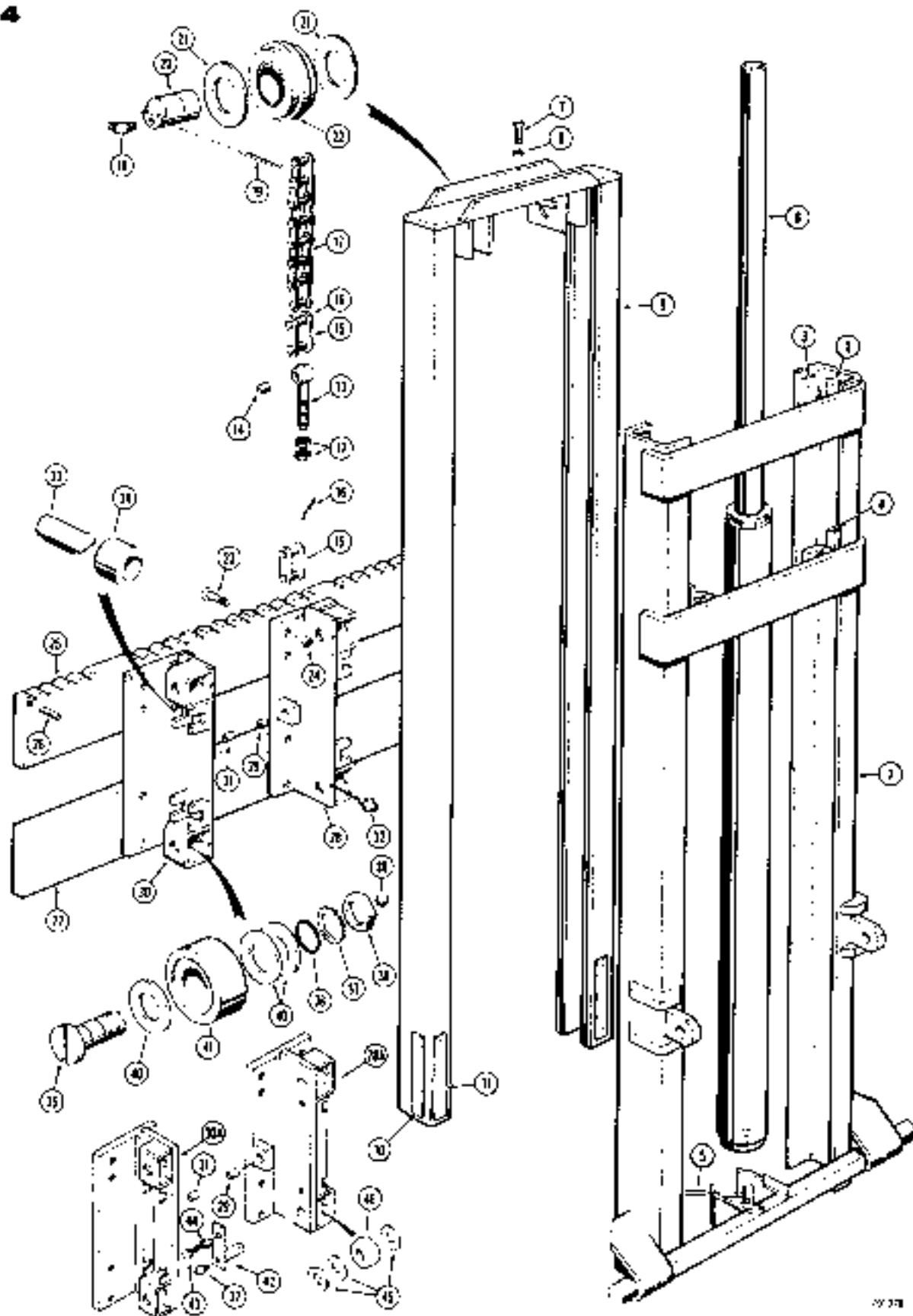
*NOTE: Carriages must be aligned and drilled at time of installation. Early and late production masts can be distinguished by differences in carriages



**MODEL 580 CONSTRUCTION KING FORK LIFT 25
MAST AND RELATED PARTS (12 FOOT)
6000 LB. LIFT CAPACITY**

REF.	PART NO.	DESCRIPTION	REQ'D.
	D 40702	MAST - complete, 12' (5000 lb lift capacity)	1
1	D 41195	CHANNEL - outer	1
2	D 32555	PLATE - wear, brass (1/8" x 1-1/4" x 5")	2
3	D 27365	PLATE - wear, brass (3/16" x 1-1/4" x 10")	4
4	D 41505	PLATE - wear, brass (3/16" x 1/2" x 4-1/2")	2
5	138- 136	PIN - roll, 1/4" dia x 1-1/4"	1
6	D 36571	CYLINDER - hydraulic, lift (3-1/2" I.D. x 72" stroke) Parts list page 81.	1
7	62- 832	SCREW - hex. socket head (1/2" - 20 NF x 2")	2
8	92- 8	WASHER - med. sect. lock (1.2")	2
9	D 39480	CHANNEL - inner	1
10	D 27362	PLATE - wear, brass (1/8" x 1-1/4" x 10")	2
11	D 27365	PLATE - wear, brass (3/16" x 1-1/4" x 10")	4
12	25- 1110	NUT - hex (1" - 14 NF)	4
13	D 36575	BOLT - eye, chain anchor	2
14	D 39470	BUSHING - eye bolt	1
15	D 36579	LINK - connecting, lift chain (See page 29 ref. no. 41 and 42 for additional links used with sideshift)	4
16	132- 46	PIN - cotter, 1/8" dia. x 5/8"	2
17	D 39463	CHAIN - lift, rollerless	2
18	219- 53	FITTING - grease (3/16" drive)	2
19	132- 102	PIN - cotter, 3/16" dia x 2-1/2"	2
20	D 36584	PIN - guide wheel	2
21	D 36582	WASHER - thrust	4
22	D 39482	WHEEL - chain guide	2
23	61- 828	SCREW - hex. socket head (1/2" - 13 NC x 1-3/4")	16
24	25- 148	NUT - hex. jam (1/2" - 13 NC)	16
25	D 36580	PLATE - backing, upper (See page 29 ref. no. 34 for backing plate used with sideshift)	1
26	138- 190	PIN - roll, 7/16" dia x 2"	2
27	D 36581	PLATE - backing, lower	1
28	*D 36587	CARRIAGE - R.H., before mast sn. 11726.	1
28A	*D 52321	CARRIAGE - R.H., mast sn. 11726 and after	1
29	D 39476	BUSHING - D36587 and D52321 carriages	1
30	*D 36588	CARRIAGE - L.H., before mast sn. 11726.	1
30A	*D 52322	CARRIAGE - L.H., mast sn. 11726 and after	1
31	D 39476	BUSHING - D36588 and D52322 carriages	1
32	219- 13	FITTING - straight, grease (3/16" drive)	4
33	D 36589	PIN - side roller	4
34	D 36590	ROLLER - side	4
	D 36591	AXLE KIT - load roller, used with D36587 and D36588 carriages only	4
35	NSS	AXLE - load roller	1
36	A 7892	SEAL - "O" ring	1
37	193- 15	WASHER - lock, external Shakeproof (3/4")	1
38	D 39470	NUT - hex. jam (Special)	1
39	NSS	BALL - steel, 3/16" dia.	1
40	D 36592	WASHER - thrust, used with D36587 and D36588 carriages only	12
41	D 36593	ROLLER - load, used with D36587 and D36588 carriages only	4
42	D 52297	AXLE - load roller, used with D52321 and D52322 carriages only	4
43	13- 816	BHCS - 1/2" - 13 NC x 1"	4
44	92- 8	WASHER - med. sect. lock	4
45	D 52298	WASHER - thrust, used with D52321 and D52322 carriages only	12
46	D 52299	ROLLER - load, used with D52321 and D52322 carriages only	4

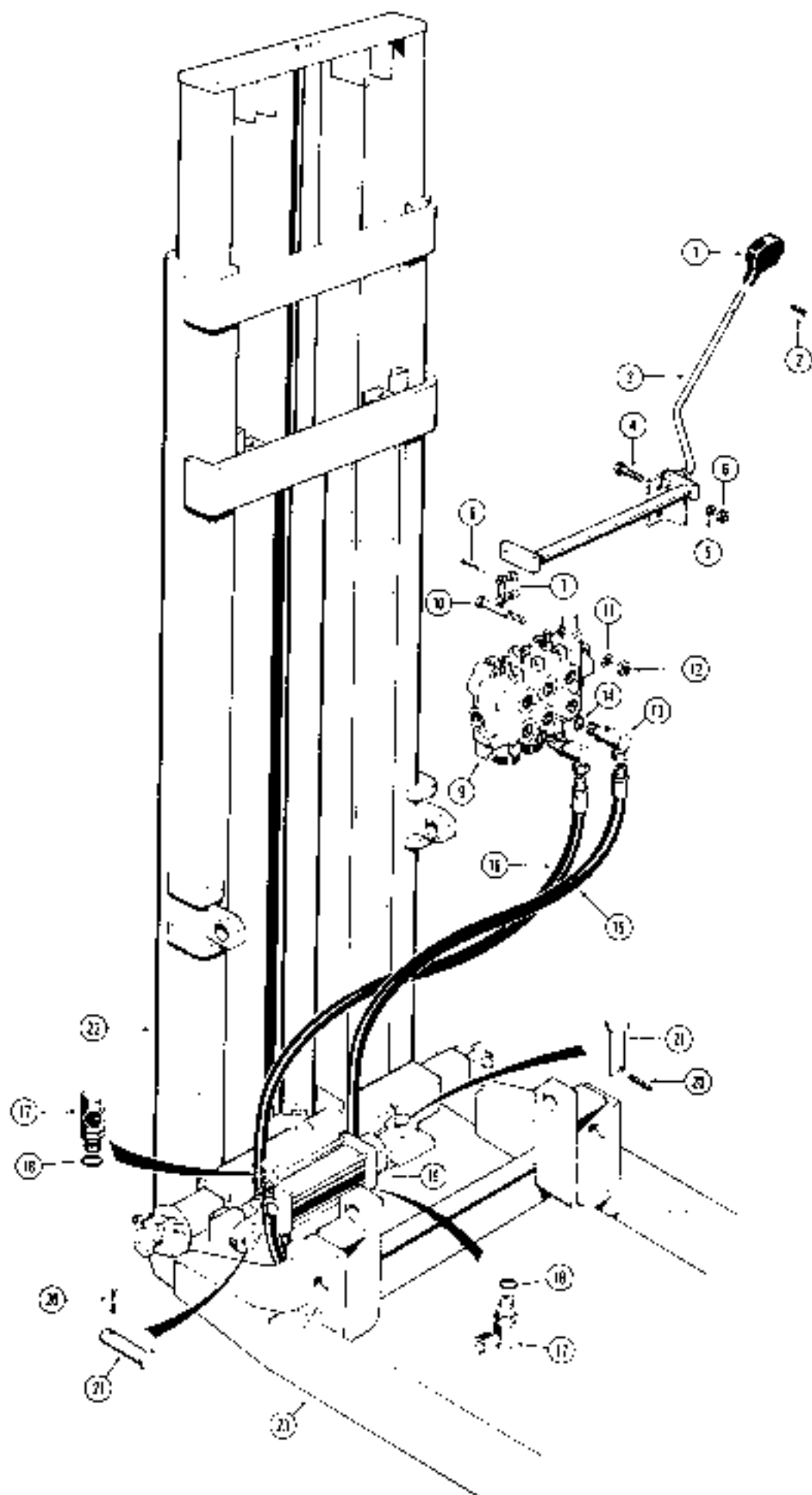
*NOTE: Carriages must be aligned and drilled at time of installation



MODEL 580 CONSTRUCTION KING FORK LIFT 26
MAST AND RELATED PARTS (14-1/4 FOOT)
5000 LB. LIFT CAPACITY

REF.	PART NO.	DESCRIPTION	REQ'D.
	D 40703	MAST - complete, 14-1/4' (5000 lb. lift capacity)	1
1	D 41198	CHANNEL - outer	1
2	D 32555	PLATE - wear, brass (1/8" x 1-1/4" x 5")	2
3	D 27365	PLATE - wear, brass (3/16" x 1-1/4" x 10")	4
4	D 41505	PLATE - wear, brass (3/16" x 1/2" x 4-1/2")	2
5	138- 136	PIN - roll, 1/4" dia x 1-1/4"	1
6	60969	CYLINDER - hydraulic, lift (3-1/2" I.D. x 65-1/2" stroke)	1
		Parts list page 83	1
7	62- 832	SCREW - hex. socket head (1/2" - 20 NF x 2")	2
8	92- 8	WASHER - med. sect. lock (1/2")	2
9	D 39481	CHANNEL - inner	1
10	60972	PLATE - wear, brass (1/8" x 1-1/4" x 11")	2
11	D 36586	PLATE - wear, brass (3/16" x 1-1/4" x 11")	4
12	25- 1116	NUT - hex. (1" - 14 NF)	4
13	D 36575	BOLT - eye, chain anchor	2
14	D 39476	BUSHING - eye bolt	1
15	D 36579	LINK - connecting, lift chain (See page 29 ref. no. 41 and 42 for additional links used with sideshift)	4
16	132- 45	PIN - cotter, 1/8" dia. x 5/8"	2
17	D 39484	CHAIN - lift, rollerless	2
18	219- 53	FITTING - grease, 67-1/2' (3/16" drive)	2
19	132- 102	PIN - cotter, 3/16" dia. x 2-1/2"	2
20	D 36584	PIN - guide wheel	2
21	D 36582	WASHER - thrust	4
22	D 39482	WHEEL - chain guide	2
23	61- 828	SCREW - hex. socket head (1/2" - 13 NC x 1-3/4")	16
24	25- 148	NUT - hex., jam (1/2" - 13 NC)	16
25	D 36580	PLATE - backing, upper (See page 29 ref. no. 34 for backing plate used with sideshift)	1
26	138- 190	PIN - roll, 7/16" dia x 2"	2
27	D 36581	PLATE - backing, lower	1
28	*D 36587	CARRIAGE - R.H., before mast sn. 11726.	1
28A	*D 52321	CARRIAGE - R.H., mast sn. 11726 and after	1
29	D 39476	BUSHING - D36587 and D52321 carriages	1
30	*D 36588	CARRIAGE - L.H., before mast sn. 11726.	1
30A	*D 52322	CARRIAGE - L.H., mast sn. 11726 and after	1
31	D 39476	BUSHING - D36588 and D52322 carriages	1
32	219- 13	FITTING - straight, grease (3/16" drive)	4
33	D 36589	PIN - side roller	4
34	D 36590	ROLLER - side	4
	D 36581	AXLE KIT - load roller, used with D36587 and D36588 carriages only	4
35	NSS	AXLE - load roller	1
36	A 7892	SEAL - "O" ring	1
37	193- 15	WASHER - lock, external Shakerproof (3/4")	1
38	D 39470	NUT - hex., jam (Special)	1
39	NSS	BALL - steel, 3/16" dia.	1
40	D 36592	WASHER - thrust, used with D36587 and D36588 carriages only	12
41	D 36593	ROLLER - load, used with D36587 and D36588 carriages only	4
42	D 52297	AXLE - load roller, used with D52321 and D52322 carriages only	4
43	13- 816	NHCS - 1/2" - 13 NC x 1"	4
44	92- 8	WASHER - med. sect. lock	4
45	D 52298	WASHER - thrust, used with D52321 and D52322 carriages only	12
46	D 52299	ROLLER - load, used with D52321 and D52322 carriages only	4

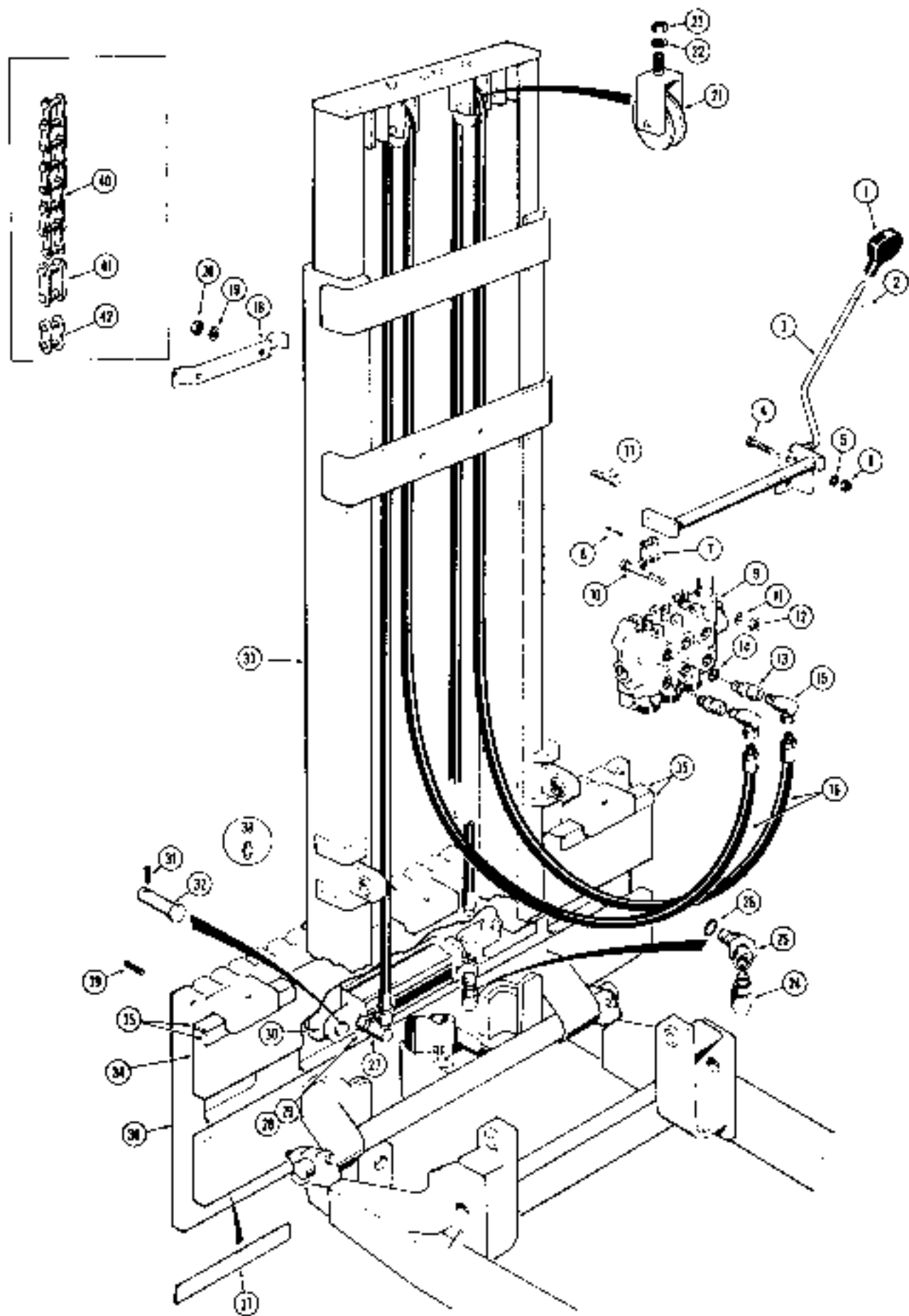
*NOTE: Carriages must be aligned and drilled at time of installation.



MODEL 580 CONSTRUCTION KING FORK LIFT 27

**SIDE SHIFTER AND RELATED PARTS
(USED WITH 4000 LB. LIFT CAPACITY MAST)**

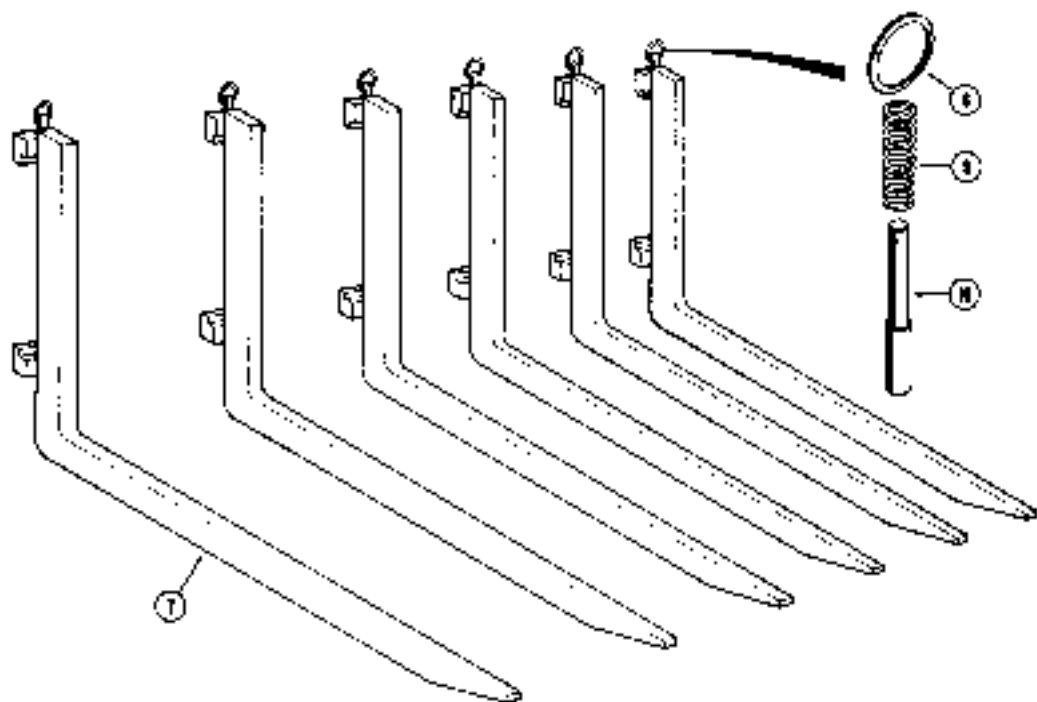
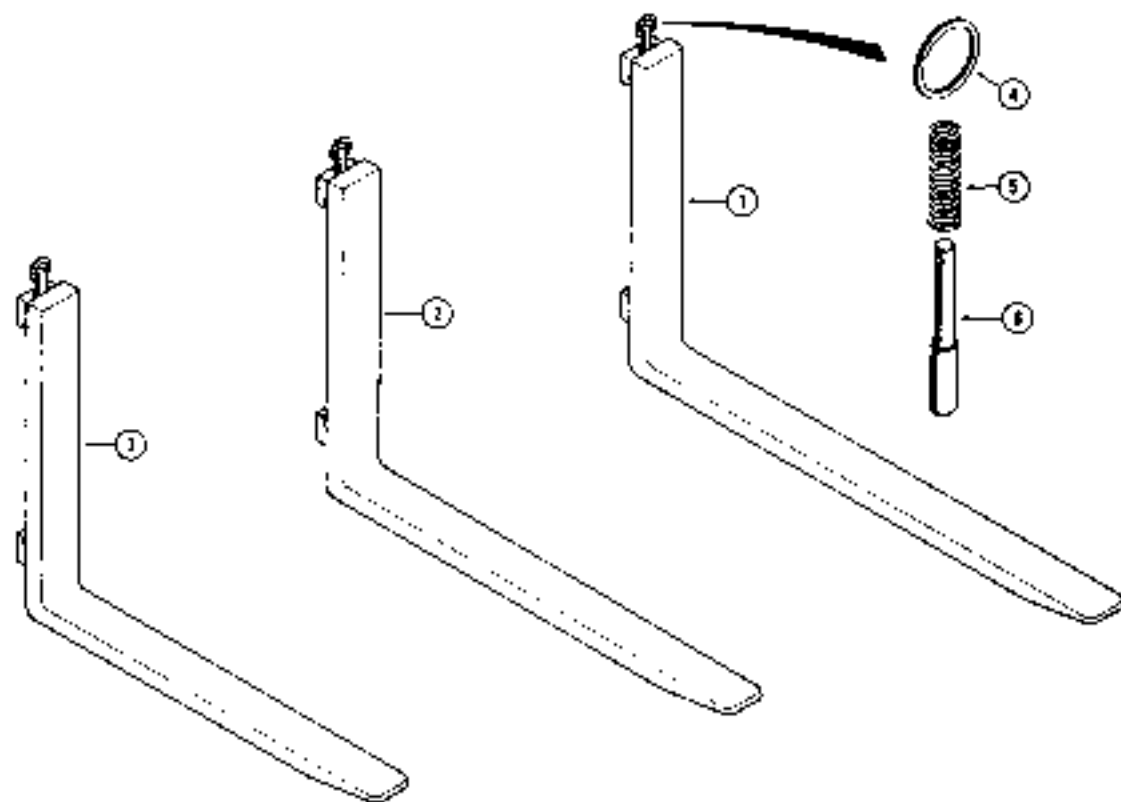
REF.	PART NO.	DESCRIPTION	REQ'D.
	D 24288	LEVER ASSEMBLY - side shift control	1
1	D 24184	KNOB - lever	1
2	138- 57	PIN - roll, 1/8" dia. x 3 1/4"	1
3	NSS	LEVER - control	1
4	13- 632	HHCS - 3/8" - 16 NC x 2"	2
5	92- 6	WASHER - med. sect. lock (3/8")	2
6	25- 106	NUT - hex. (3/8" - 16 NC)	2
7	D 24140	LINK - connecting	1
8	132- 6	PIN - cotter, 1/16" dia. x 5/8"	2
9	REF.	VALVE - hydraulic, control (Parts list page 95)	1
10	13- 636	HHCS - 3/8" - 16 NC x 2 1/4"	3
11	92- 6	WASHER - med. sect. lock (3/8")	3
12	25- 106	NUT - hex. (3/8" - 16 NC)	3
13	D 39462	ELBOW - adjustable, 90	2
14	218- 5007	SEAL - "O" ring	1
15	D 41213	HOSE - upper valve port to side shift cylinder, rod end (55" long)	1
16	D 41212	HOSE - lower valve port to side shift cylinder, closed end (48" long)	1
17	D 41214	ELBOW - restrictor, 90 adjustable	2
18	218- 5008	SEAL - "O" ring	1
19	D 41424	CYLINDER - hydraulic, side shift (3" I.D. x 6" stroke) Parts list page 89	1
20	138- 142	PIN - roll, 1/4" dia. x 2"	2
21	D 36819	PIN - cylinder mounting	2
22	REF.	MAST ASSEMBLY - 4,000 lb. lift capacity (See pages 9 thru 21 for options)	1
23	REF.	SUBFRAME - fork lift (See page 7 ref. no. 20 for com- ponents)	1



MODEL 580 CONSTRUCTION KING FORK LIFT 29

**SIDE SHIFTER AND RELATED PARTS
(USED WITH 5000 LB. LIFT CAPACITY MAST)**

REF.	PART NO.	DESCRIPTION	REQ'D.
	D 24288	LEVER ASSEMBLY - side shift control	1
1	D 24184	KNOB - lever	1
2	138- 57	PIN - roll. 1/8" dia. x 3/4"	1
3	NSS	LEVER - control	1
4	13- 632	HHCS - 3/8" - 16 NC x 2"	2
5	92- 6	WASHER - med. sect. lock (3/8")	2
6	25- 106	NUT - hex. (3/8" - 16 NC)	2
7	D 24140	LINK - connecting	1
8	132- 6	PIN - cotter. 1/16" dia. x 5/8"	2
9	REF.	VALVE - hydraulic, control (Parts list page 95)	1
10	13- 636	HHCS - 3/8" - 16 NC x 2-1/4"	3
11	92- 6	WASHER - med. sect. lock (3/8")	3
12	25- 106	NUT - hex. (3/8" - 16 NC)	3
13	218- 5251	ADAPTER - male, special	2
14	218- 5007	SEAL - "O" ring	1
15	218- 927	ADAPTER - 90°, swivel	2
16	D 25232	HOSE - valve to side shift cylinder (216" long)	2
17	13- 524	HHCS - 5/16" - 18 NC x 1-1/2"	2
18	D 39478	CLAMP - hose	1
19	92- 5	WASHER - med. sect. lock (5/16")	2
20	25- 105	NUT - hex. (5/16" - 18 NC)	2
21	D 24277	PULLER - hose guide	2
22	92- 6	WASHER - med. sect. lock (3/8")	1
23	25- 106	NUT - hex. (3/8" - 16 NC)	1
24	218- 926	ELBOW - 90°, swivel (Hose from upper valve port to side shift cylinder rod end)	1
25	218- 5326	ELBOW - 45°, swivel (Side shift cylinder rod end port)	1
26	218- 5006	SEAL - "O" ring	1
27	218- 923	ELBOW - 90°, swivel (Hose from lower valve port to side shift cylinder closed end)	1
28	D 39471	CONNECTOR - straight male	1
29	218- 5006	SEAL - "O" ring	1
30	D 39464	CYLINDER - hydraulic, side shift (3" I.D. x 6" stroke) (Parts list page 85)	1
31	138- 142	PIN - roll. 1/4" dia. x 2"	2
32	D 36819	PIN - cylinder mounting	2
33	REF.	MAST ASSEMBLY - 5,000 lb. lift capacity (See pages 23 and 25 for options)	1
34	D 41218	PLATE - backing, upper	1
35	D 41219	PLATE - wear, brass (1/8" x 1/4" x 12")	5
36	D 41217	FRAME - side shifting	1
37	D 41218	PLATE - wear, brass (1/8" x 1/4" x 12")	3
38	219- 13	FITTING - straight, grease (3/16" drive)	6
39	138- 190	PIN - roll. 7/16" dia. x 2"	2
40	REF.	CHAIN - lift, rollerless (See pages 23 and 25 for options)	2
41	O 3997	AB LINK - connecting	2
42	O 3996	AB LINK - roller	2

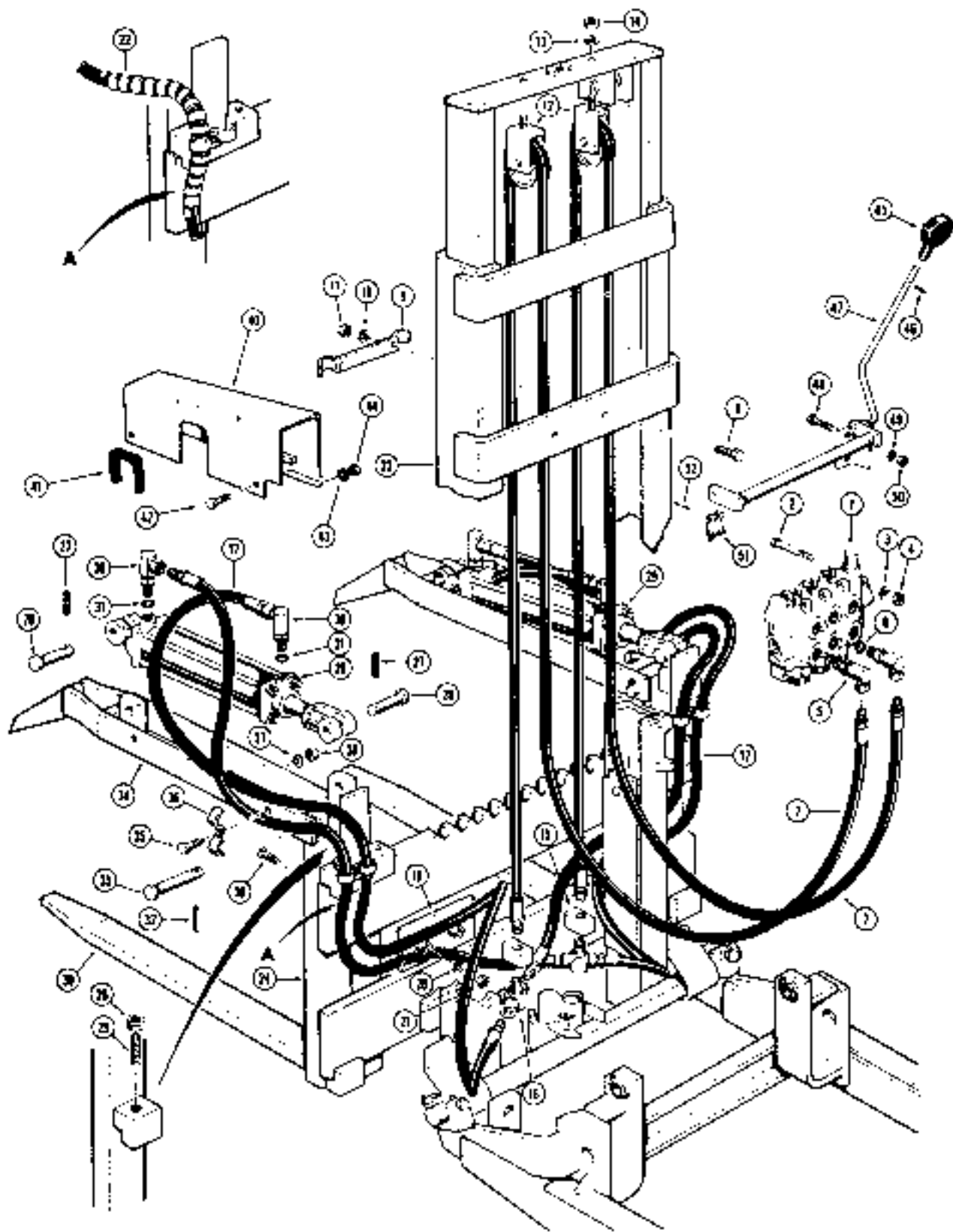


FORKS

REF.	PART NO	DESCRIPTION	REQ'D
PALLET AND LOGGING FORKS			
1	D 10464	FORK - pallet and logging, 48" length (Standard on 4000 lb. lift capacity masts)	2
	D 36809	FORK - pallet and logging, 48" length (Standard on 5000 lb. lift capacity masts)	2
2	D 10465	FORK - pallet and logging, 42" length (Optional on 4000 lb. lift capacity masts)	2
3	D 10466	FORK - pallet and logging, 36" length (Optional on 4000 lb. lift capacity masts)	2
4	D 41289	RING - pin retaining	1
5	D 52904	SPRING - return (If used)	1
6	D 38358	PIN - lock, fork positioning	1

CEMENT BLOCK FORKS (OPTIONAL)

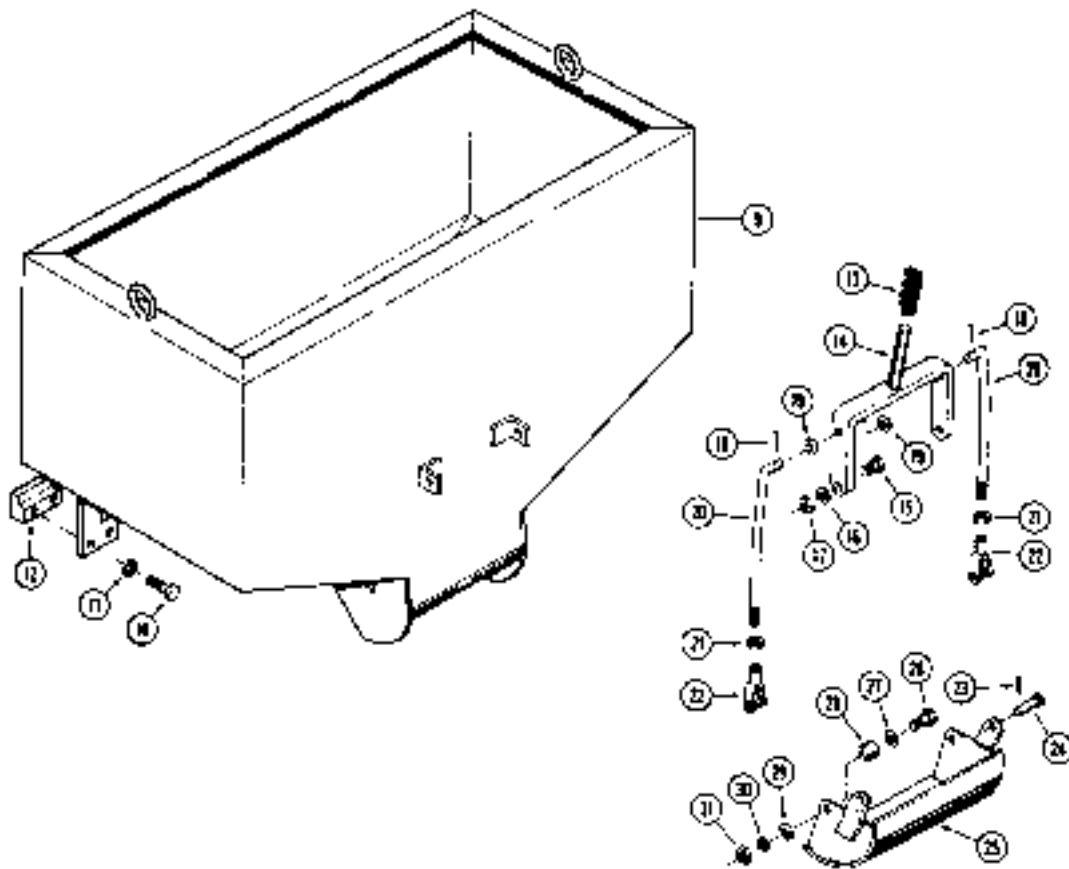
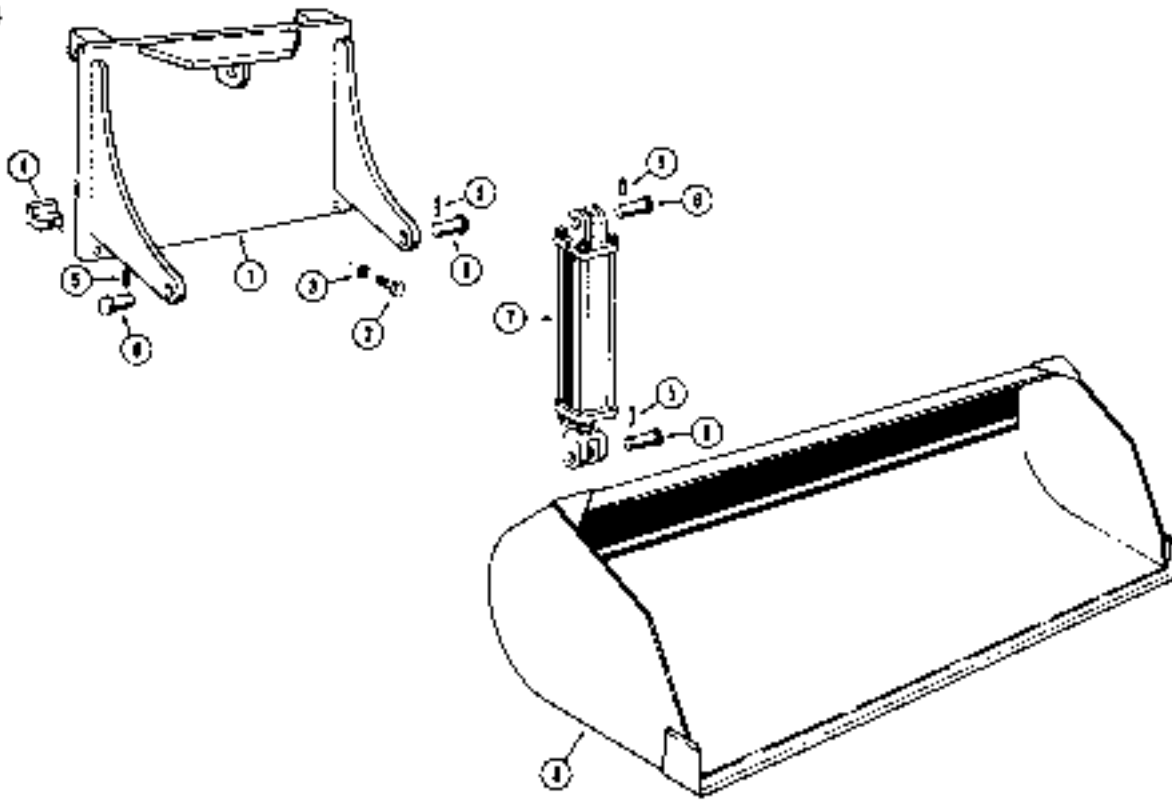
7	D 10653	FORK - cement block, 42" length (Use with 4000 lb. lift capacity masts only)	6
	D 43690	FORK - cement block, 48" length (Use with 4000 lb. lift capacity masts only)	6
	D 41220	FORK - cement block, 42" length (Use with 5000 lb. lift capacity masts only)	6
	D 43691	FORK - cement block, 48" length (Use with 5000 lb. lift capacity masts only)	6
8	D 41289	RING - pin retaining	1
9	D 52904	SPRING - return (If used)	1
10	D 38358	PIN - lock, fork positioning	1



MODEL 580 CONSTRUCTION KING FORK LIFT 33

**LOG CLAMP AND HYDRAULICS
(USED WITH 5000 LB. LIFT CAPACITY MAST ONLY)**

REF.	PART NO	DESCRIPTION	REQ'D
1	REF.	VALVE - hydraulic, control (Parts list page 95)	1
2	13- 636	HHCS - 3/8" - 16 NC x 2-1/4"	3
3	92- 6	WASHER - med. sect. lock (3/8")	3
4	25- 106	NUT - hex. (3/8" - 16 NC)	3
5	218- 5201	ELBOW - adjustable, special (90°)	2
6	218- 5007	SEAL - "O"ring	1
7	D 25232	HOSE - hydraulic, valve to log clamp (216" long)	2
8	13- 524	HHCS - 5/16" - 18 NC x 1-1/2"	2
9	D 39478	CLAMP - hose	1
10	92- 5	WASHER - med. sect. lock (5/16")	2
11	25- 105	NUT - hex. (5/16" - 18 NC)	2
12	D 24277	PULLEY - hose guide	2
13	92- 6	WASHER - med. sect. lock (3/8")	1
14	25- 106	NUT - hex. (3/8" - 16 NC)	1
15	D 24342	BLOCK - hose retaining (Welded to lower backing plate)	2
16	D 34437	TEE - al. block	2
17	D 41515	HOSE - hydraulic, to log clamp cylinders (74" long)	4
18	64- 640	SCREW - fillister head, slotted (3/8" - 16 NC x 2-1/2")	4
19	D 34435	PLATE - hose guard	2
20	92- 6	WASHER - med. sect. lock (3/8")	4
21	25- 106	NUT - hex. (3/8" - 16 NC)	4
22	D 41514	SHEATH - hose guard	4
23	REF.	MAST ASSEMBLY - 5,000 lb. lift (See pages 23 and 25)	1
24	D 41510	HANGER - log clamp	2
25	178- 506	SCREW - set. socket head (5/8" - 11 NC x 3")	2
26	25- 1410	NUT - hex. jam (5/8" - 11 NC)	2
27	138- 223	PIN - roll, 1/8" dia. x 2" (Used with D41513 pin only)	4
	138- 142	PIN - roll, 1/4" dia. x 2" (Used with D44106 pin only)	4
28	D 41513	PIN - cyl. mtg., early production (When stock is exhausted, order (1) D44106 pin and (1) 138-142 pin for service)	4
	D 44106	PIN - cyl. mtg., late production	4
29	D 41512	CYLINDER - hydraulic, log clamp (3" I.D. x 10" stroke) Parts list page 91	2
30	D 40825	ELBOW - adjustable, 90	4
31	218- 5006	SEAL - "O"ring	1
32	138- 142	PIN - roll, 1/4" dia. x 2"	2
33	D 41508	PIN - arm mounting	2
34	D 41509	ARM - log clamp	2
35	13- 620	HHCS - 3/8" - 16 NC x 1-1/4"	4
36	D 41511	CLAMP - hose	4
37	92- 6	WASHER - med. sect. lock (3/8")	4
38	25- 106	NUT - hex. (3/8" - 16 NC)	4
39	D 36809	FORKS - pallet (See page 31 for pin and ring)	2
40	D 44107	GUARD - cylinder, R.H. (If used)	1
	D 44108	GUARD - cylinder, L.H. (If used)	1
41	D 38500	TRIM - edge	1
42	13- 616	HHCS - 3/8" - 16 NC x 1"	8
43	92- 6	WASHER - med. sect. lock (3/8")	8
44	25- 106	NUT - hex. (3/8" - 16 NC)	8
	D 24288	LEVER ASSEMBLY - accessory control	1
45	D 24184	KNOB - lever	1
46	138- 57	PIN - roll, 1/8" dia. x 3/4"	1
47	NSS	LEVER - control	1
48	13- 632	HHCS - 3/8" - 16 NC x 2"	2
49	92- 6	WASHER - med. sect. lock (3/8")	2
50	25- 106	NUT - hex. (3/8" - 16 NC)	2
51	D 24140	LINK - connecting	1
52	132- 6	PIN - cotter, 1/16" dia. x 5/8"	2

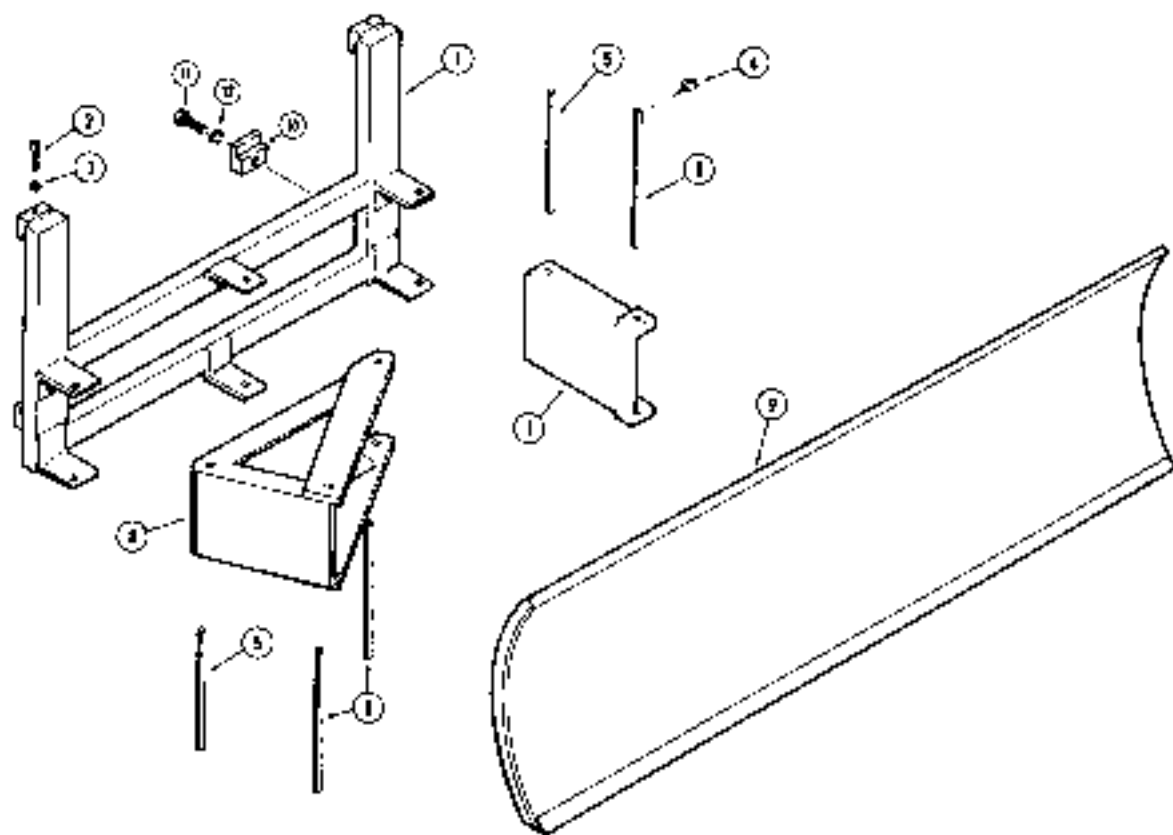


**MODEL 580 CONSTRUCTION KING FORK LIFT 55
LOADER AND CEMENT BUCKET**

REF.	PART NO.	DESCRIPTION	REQ'D.
LOADER BUCKET			
1	D 28180	FRAME - bucket support (Use with 4000 lb. lift capacity mast only)	1
	D 41293	FRAME - bucket support (Use with 5000 lb lift capacity mast only)	1
2	13- 1032	HHCS - 5/8" - 11 NC x 2"	2
3	92- 10	WASHER - med. sect lock (5/8")	2
4	D 24251	BLOCK - clamp (Use with D28180 frame)	2
	D 41292	BLOCK - clamp (Use with D41293 frame)	2
5	138- 140	PIN - roll. 1/4" dia x 1-3/4"	4
6	D 36819	PIN - cylinder and bucket mounting	4
7	D 39464	CYLINDER - hydraulic, bucket (3" I.D. x 6" stroke) Parts list page 85	1
8	D 28179	BUCKET - loader (1/2 cu. yard)	1

CEMENT BUCKET

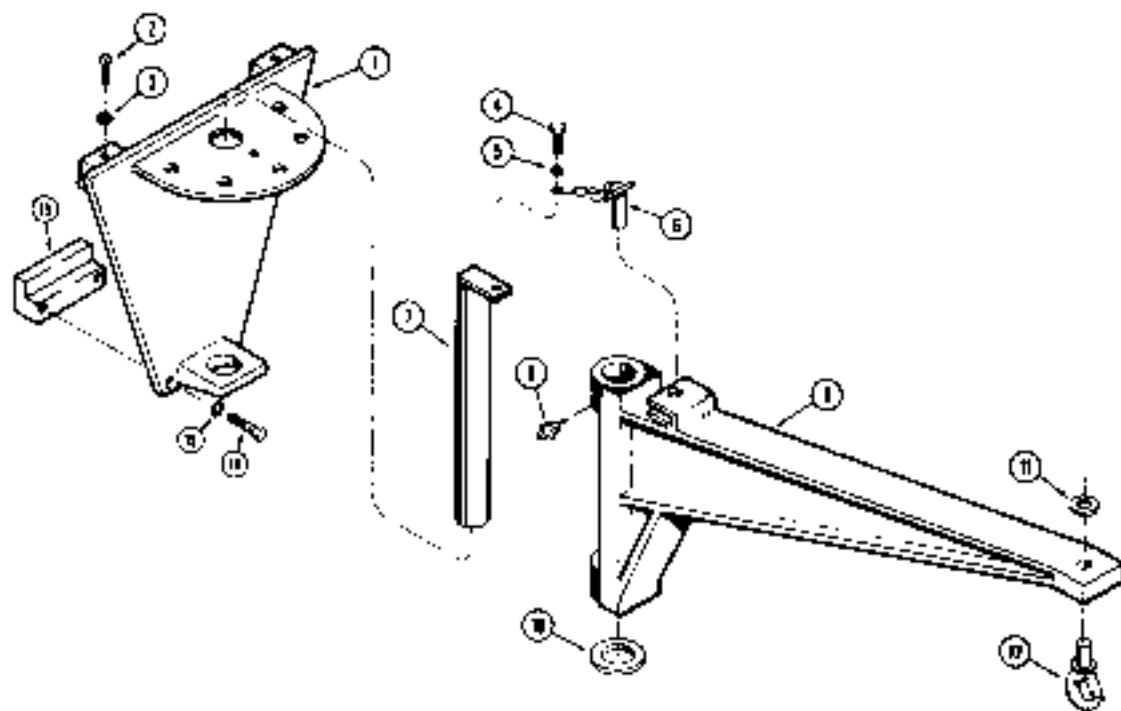
9	D 10545	BUCKET - cement, 1/2 cu. yard (Machinery Item) Optional for 4000 lb lift capacity masts only	1
10	14- 1236	HHCS - 3/4" - 16 NF x 2-1/4"	4
11	92- 12	WASHER - med sect lock (3/4")	4
12	61035	BLOCK - clamp	2
13	31400	GRIP - handle, rubber	1
14	65294	HANDLE - discharge spout	1
15	31383	BOLT -ivot, handle	2
16	92- 6	WASHER - med sect lock (3/8")	2
17	25- 116	NUT - hex (3/8" - 24 NF)	2
18	132- 48	PIN - cotter, 1/8" dia. x 1"	2
19	195- 33	WASHER - plain (3/8")	4
20	65295	ROD - spout control	2
21	25- 118	NUT - hex (1/2" - 20 NF)	2
22	213- 6	YOKE - control rod	2
23	132- 48	PIN - cotter (1/8" dia. x 1")	2
24	141- 6	PIN - yoke, 1/2" dia x 1-23/64"	2
25	65293	SPOUT - discharge	1
26	14- 1232	HHCS - 3/4" - 16 NF x 2"	2
27	195- 53	WASHER - plain (1/2")	2
28	61005	BUSHING - spout (9/16" long)	2
29	95- 12	WASHER - standard wrot (3/4")	2
30	92- 12	WASHER - med sect lock (3/4")	2
31	25- 1112	NUT - hex (3/4" - 16 NF)	2



MODEL 580 CONSTRUCTION KING FORK LIFT 37

ANGLING DOZER BLADE

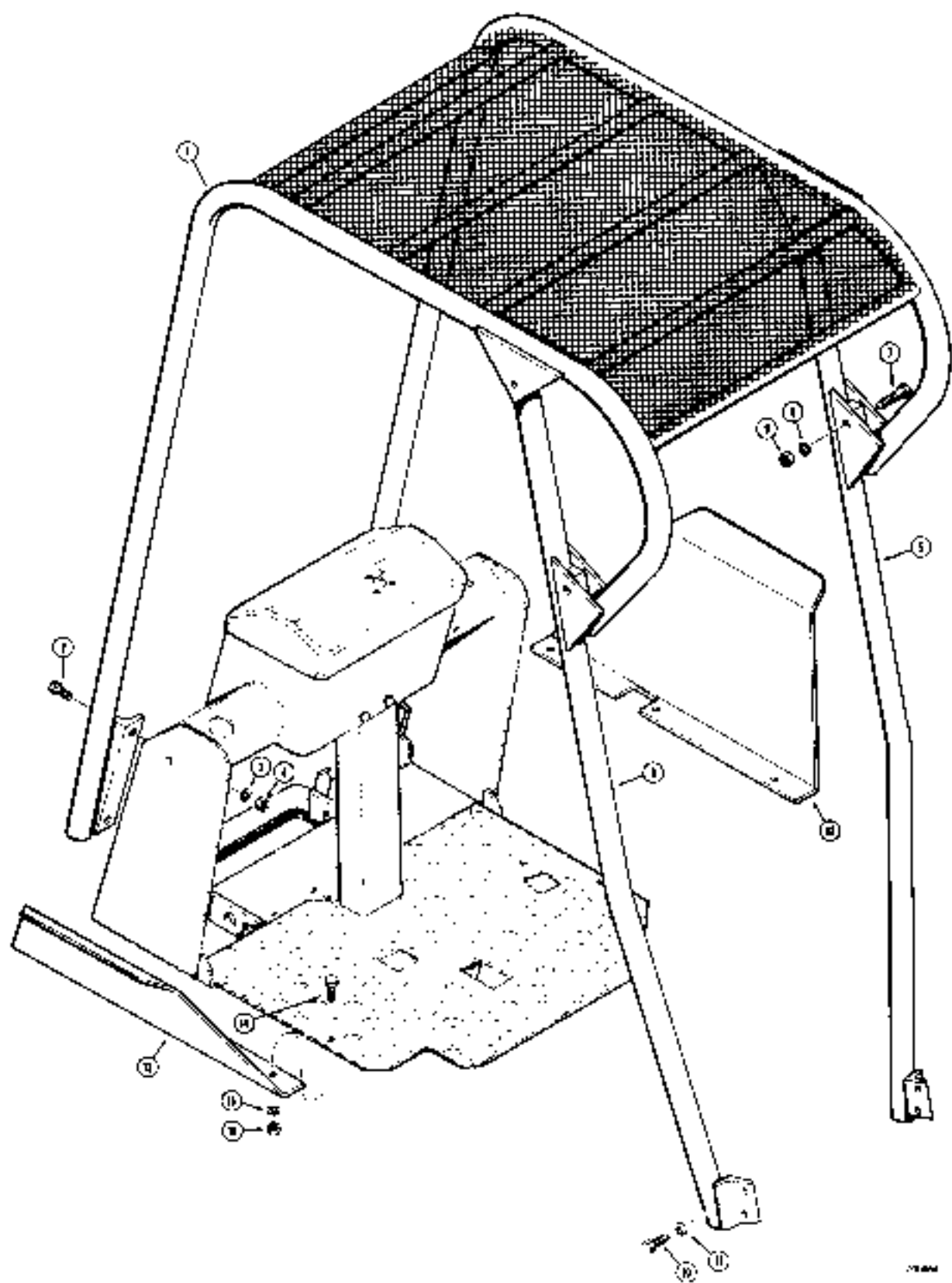
REF.	PART NO.	DESCRIPTION	REQ'D.
1	D 28180	FRAME - blade support (Use with 4000 lb. lift capacity mast only)	1
	D 41284	FRAME - blade support (Use with 5000 lb. lift capacity mast only)	1
2	181- 715	SCREW - ect. square head (5/8" - 11 NC x 3-1/2")	2
3	25- 1410	NUT - hex., sam (5/8" - 11 NC)	2
4	D 27949	KLJK PIN - pin retaining	10
5	D 27862	PIN - mounting, 1" dia. x 14"	2
6	D 27863	PIN - mounting, 1" dia. x 15-5/8"	3
7	D 27864	BRACKET - blade support	1
8	D 27866	BRACKET - blade pivot	1
9	D 27861	BLADE - dozer	1
10	D 52485	BLOCK - lower hanger (4000 lb. lift capacity mast)	2
10	D 52487	BLOCK - lower hanger (5000 lb. lift capacity mast)	2
11	13- 1040	HHCS - 5/8" - 11 NC x 2-1/2"	2
12	92- 10	WASHER - med. sect. lock (5/8")	2



MODEL 580 CONSTRUCTION KING FORK LIFT 39

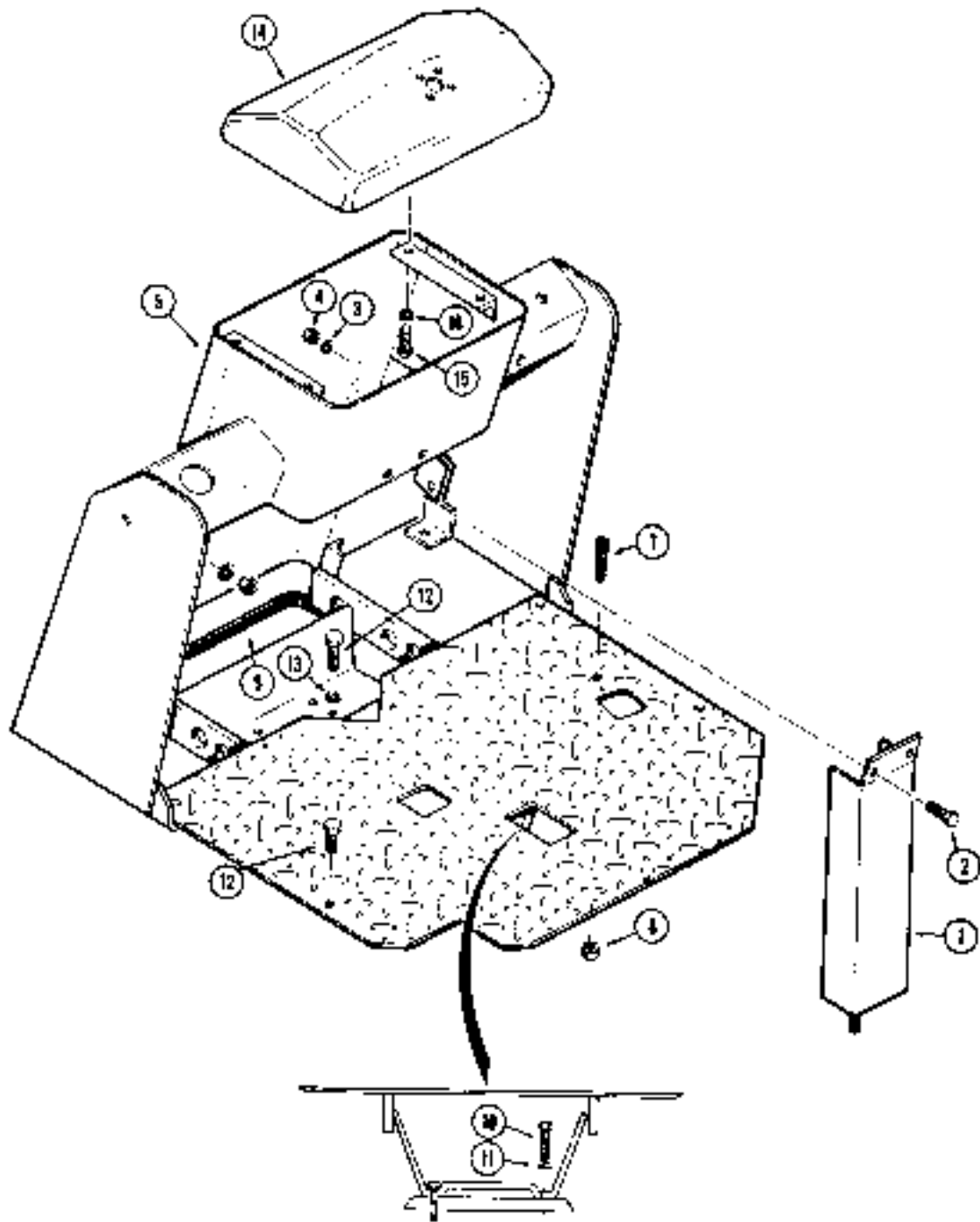
CRANE BOOM

REF.	PART NO.	DESCRIPTION	REQ'D.
1	D 27050	HANGER - boom arm (Use with 4000 lb. lift capacity mast only)	1
	D 41295	HANGER - boom arm (Use with 5000 lbs. lift capacity mast only)	1
2	181- 713	SCREW - set, square head (5/8" - 11 NC x 3")	2
3	25- 1410	NUT - hex., jam (5/8" - 11 NC)	2
4	13- 512	HHCS - 3/8" - 16 NC x 3/4"	1
5	92- 6	WASHER - med. sect. lock (3/8")	1
6	D 27053	PIN - locking (Chain included)	1
7	D 27052	PIN - pivot	1
8	D 27054	ARM - boom	1
9	219- 13	FITTING - straight, grease (3/16" drive)	2
10	D 27051	WASHER - pivot, special	1
11	60916	WASHER - hook retaining, special	1
12	D 27055	HOOK - boom	1
13	D 52488	BLOCK - lower hanger (4000 lb. lift capacity mast)	1
13	D 52485	BLOCK - lower hanger (5000 lb. lift capacity mast)	1
14	13- 1032	HHCS - 5/8" - 11 NC x 2"	2
15	92- 10	WASHER - med. sect. lock (5/8")	2



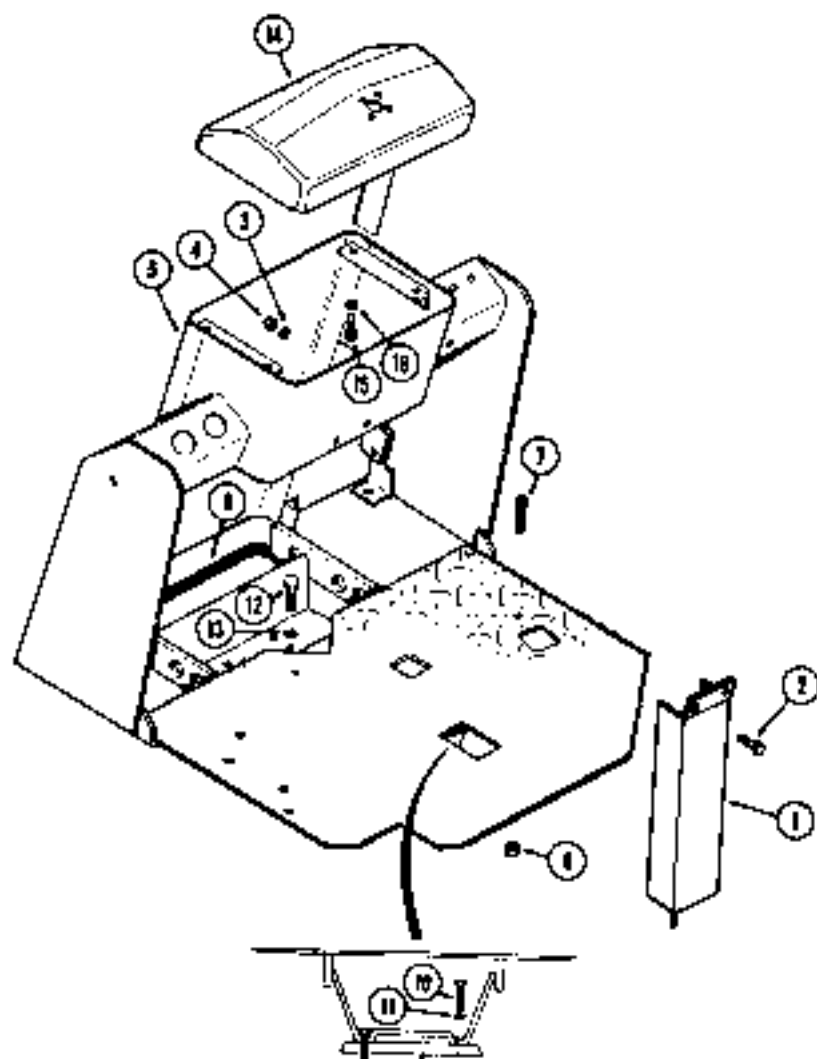
FENDERS AND OVERHEAD GUARD

REF.	PART NO.	DESCRIPTION	REQ'D.
1	D 24152	GUARD - overhead	1
2	13- 820	HHCS - 1/2" - 13 NC x 1-1/4"	4
3	92- 8	WASHER - med. sect. lock (1/2")	4
4	25- 108	NUT - hex (1/2" - 13 NC)	4
5	D 33172	SUPPORT - overhead guard, R.H.	1
6	D 33171	SUPPORT - overhead guard, L.H.	1
7	13- 862	HHCS - 1/2" - 13 NC x 3-1/4"	4
8	92- 8	WASHER - med. sect. lock (1/2")	4
9	25- 108	NUT - hex (1/2" - 13 NC)	4
10	13- 1024	HHCS - 5/8" - 11 NC x 1-1/2"	4
11	92- 10	WASHER - med. sect. lock (5/8")	4
12	D 32713	FENDER - R.H.	1
13	D 32712	FENDER - L.H.	1
14	13- 616	HHCS - 3/8" - 16 NC x 1"	6
15	92- 6	WASHER - med. sect. lock (3/8")	6
16	25- 106	NUT - hex (3/8" - 16 NC)	6



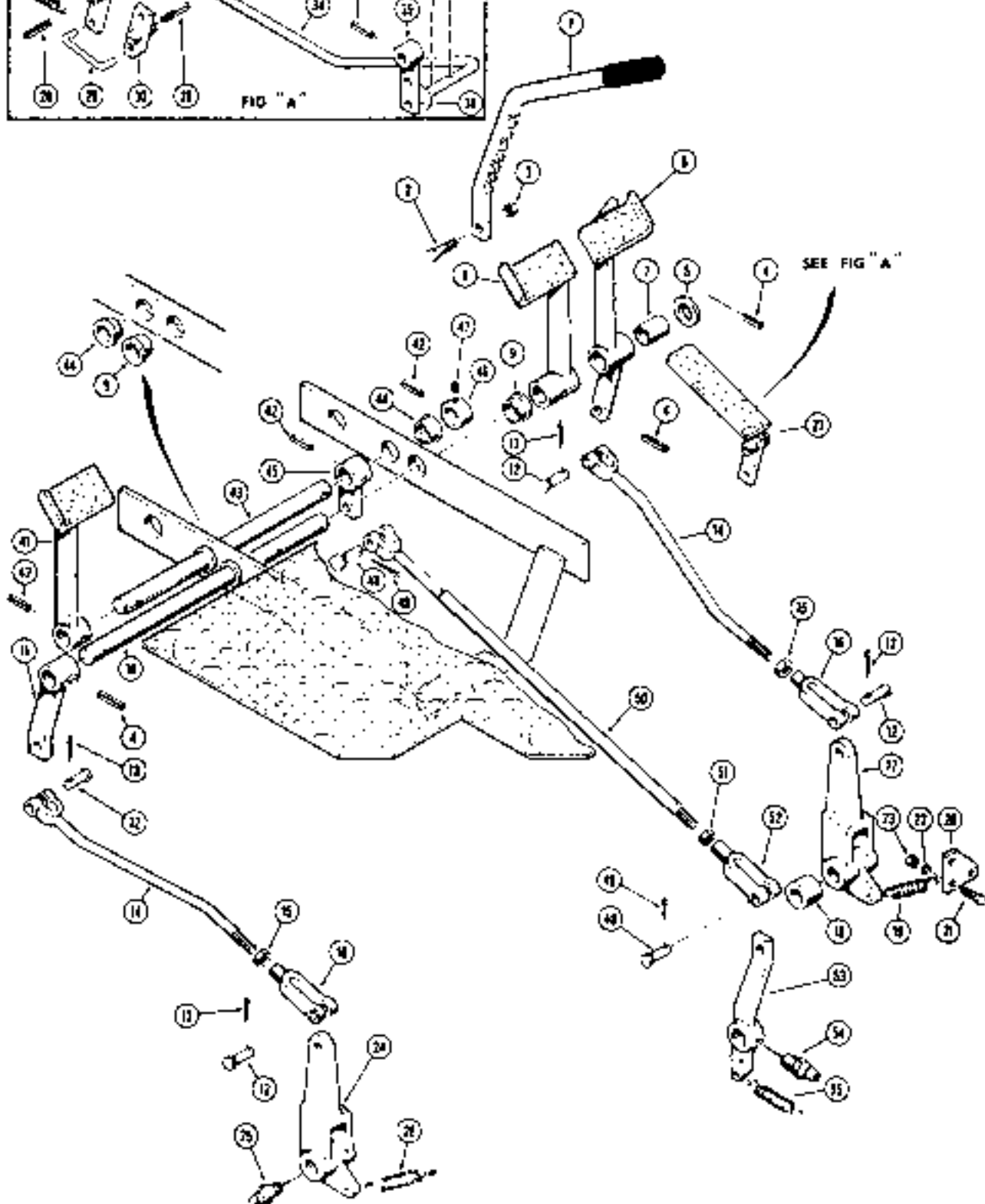
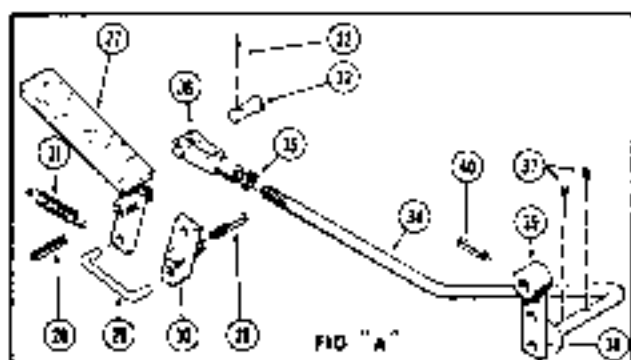
CONTROL TOWER
WITH MECHANICAL SHUTTLE

REF.	PART NO.	DESCRIPTION	REQ'D
1	D 33175	GUARD - steering	1
2	13- 412	BOLT - 1/4 x 3/4" N.C. hex.	2
3	92- 4	WASHER - lock, 1/4"	2
4	25- 104	NUT - 1/4" N.C. hex.	2
5	D 41205	TOWER ASSY. - control	1
7	61- 624	SCREW - 3/8 x 1-1/2" N.C. socket hd.	1
8	25- 106	NUT - 3/8" N.C. hex.	1
9	D 33855	TRIM - rubber, tower edge	1
10	13- 632	BOLT - 3/8 x 2" N.C. hex.	2
11	92- 8	WASHER - lock, 3/8"	2
12	13- 624	BOLT - 3/8 x 1-1/2" N.C. hex.	4
13	92- 8	WASHER - lock, 3/8"	4
14	D 33728	COVER - control tower	1
15	13- 818	BOLT - 3/8 x 1" N.C. hex.	4
16	92- 6	WASHER - lock, 3/8"	4



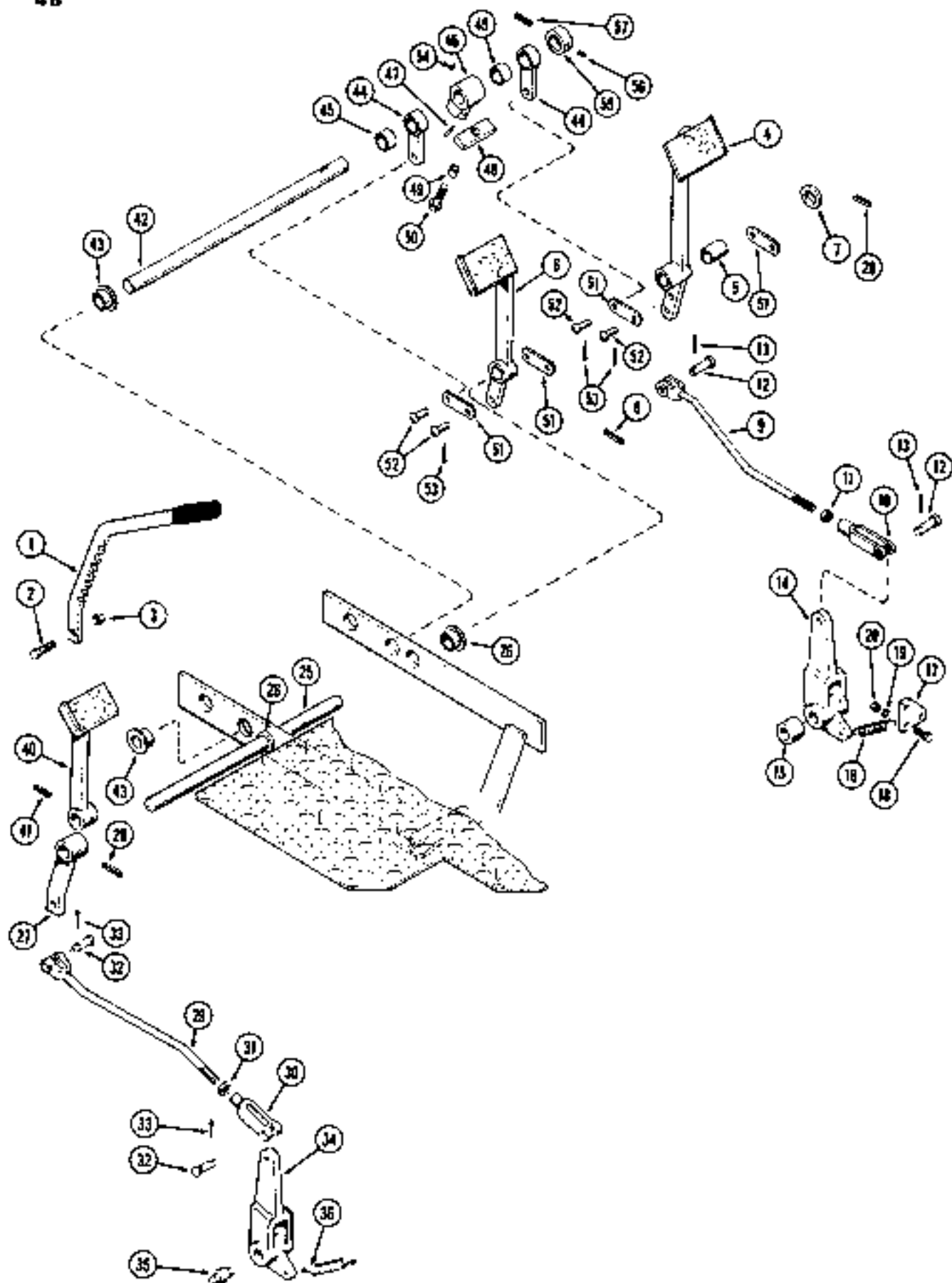
**CONTROL TOWER
WITH POWER SHUTTLE**

REF.	PART NO.	DESCRIPTION	REQ'D
1	D 33175	GUARD - steering	1
2	13- 412	BOLT - 1/4 x 3/4" N.C. hex.	2
3	92- 4	WASHER - lock, 1/4"	2
4	25- 104	NUT - 1/4" N.C. hex.	2
5	A 38541	TOWER ASSY. - control	1
7	61- 624	SCREW - 3/8 x 1-1/2" N.C. socket hd.	1
8	25- 106	NUT - 3/8" N.C. hex.	1
9	D 33855	TRIM - rubber, tower edge	1
10	13- 632	BOLT - 3/8 x 2" N.C. hex.	2
11	92- 6	WASHER - lock, 3/8"	2
12	13- 624	BOLT - 3/8 x 1-1/2" N.C. hex.	4
13	92- 6	WASHER - lock, 3/8"	4
14	D 33726	COVER - control tower	1
15	13- 616	BOLT - 3/8 x 1" N.C. hex.	4
16	92- 6	WASHER - lock, 3/8"	4



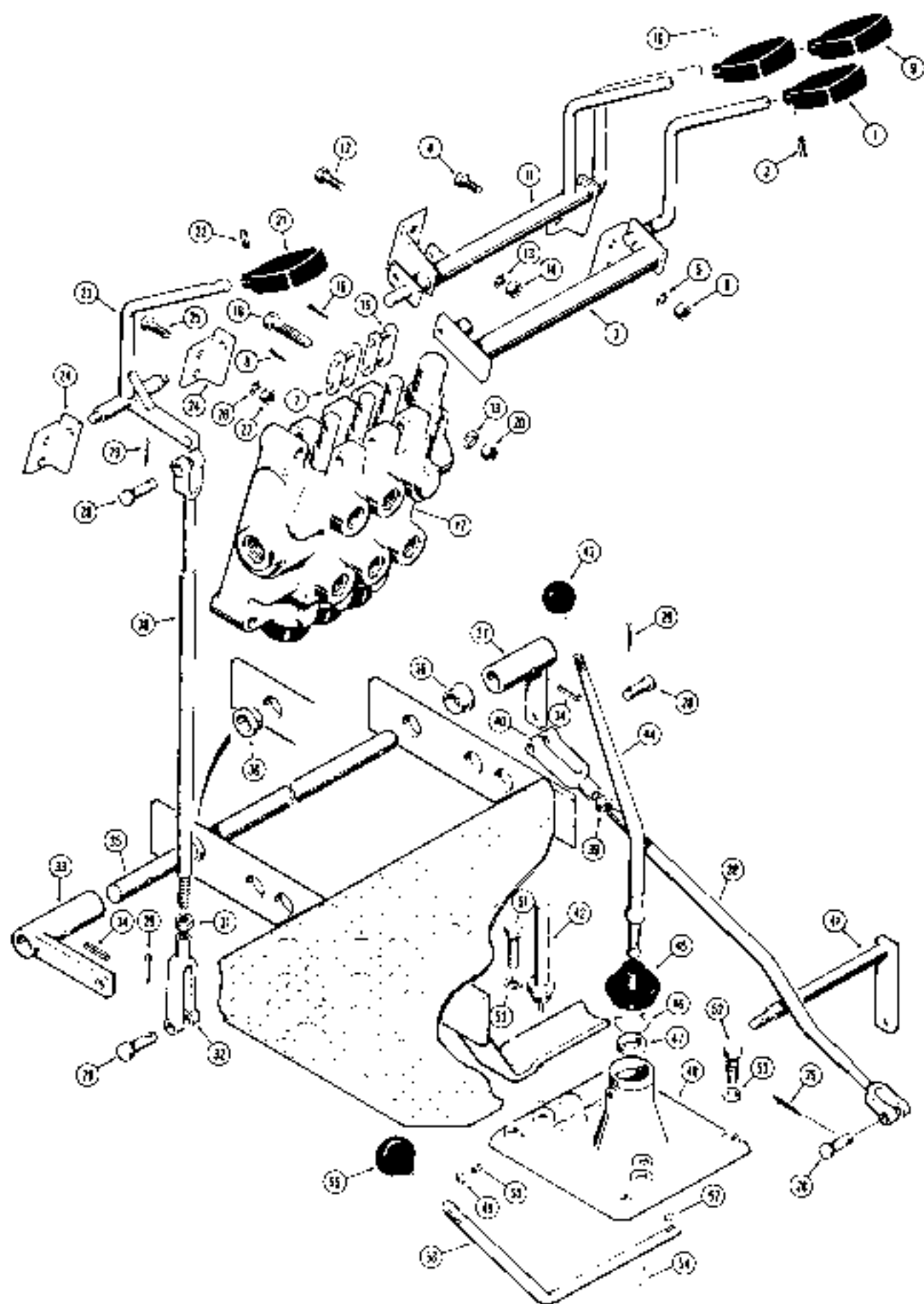
**FOOT THROTTLE, BRAKE AND CLUTCH PEDALS
WITH MECHANICAL SHUTTLE**

REF.	PART NO.	DESCRIPTION	REQ'D
1	D 41206	LEVER - brake lock	1
2	13- 824	BOLT - 1/2 x 1-1/2" N.C. hex.	1
3	131- 10	NUT - lock, 1/2" N.C. hex.	1
4	138- 138	PIN - roll, 1/4 x 1-1/2"	3
5	D 33753	SPACER - brake pedal	1
6	D 41207	PEDAL - brake, R.H.	1
7	D 26052	BUSHING - pedal	1
8	D 24204	PEDAL - brake, L.H.	1
9	D 24206	BUSHING - flanged, brake pedal	1
10	D 24201	SHAFT - pivot, brake pedal	1
11	D 41208	LEVER - L.H. brake, shaft to rod	1
12	D 24291	PIN - yoke, brake rod	4
13	132- 47	PIN - cotter, 1/8 x 1-7/8"	4
14	D 41198	ROD - brake pedal to lever	2
15	25- 118	NUT - 1/2" N.F. hex.	1
16	D 24221	YOKE - adjusting	1
17	D 25794	LEVER - R.H. brake rod to housing	1
18	D 24223	SPACER - lever	1
19	G 10848	SPRING - brake return	1
20	D 41201	BRACKET - return spring	1
21	13- 628	BOLT - 3/8 x 1-5/8" N.C. hex.	2
22	92- 6	WASHER - lock, 3/8"	2
23	25- 106	NUT - 3/8" N.C. hex.	2
24	D 25795	LEVER - L.H. brake rod to housing	1
25	219- 13	FITTING - grease, 3/16" drive type	1
26	G 10848	SPRING - lever return	1
27	D 24208	PEDAL - foot throttle	1
28	138- 138	PIN - roll, 1/4 x 1-1/2"	2
29	D 24214	LINK - pedal to pivot arm	1
30	D 24209	ARM - pivot, throttle rod	1
31	D 24216	SPRING - throttle pedal	1
32	D 24213	PIN - yoke	1
33	132- 4	PIN - cotter, 1/16 x 7/16"	1
34	D 41204	ROD - connecting, foot throttle	1
35	25- 114	NUT - 1/4" N.F. hex.	1
36	D 24214	YOKE - adjusting	1
37	132- 26	PIN - cotter, 3/32 x 3/4"	2
38	95- 5	WASHER - plain, 3/8 x 7/8 x 5/64"	1
39	D 41200	LEVER - foot throttle	1
40	138- 77	PIN - roll, 5/32 x 1"	1
41	D 24198	PEDAL - clutch	1
42	138- 138	PIN - roll, 1/4 x 1-1/2"	3
43	D 24200	SHAFT - cross, clutch pedal	1
44	D 24206	BUSHING - flanged, clutch lever	1
45	D 24202	LEVER - clutch shaft	1
46	D 24203	COLLAR - shaft retaining	1
47	178- 811	SCREW - set, 5/16 x 5/16" N.C. slotted lock type	1
48	D 24291	PIN - yoke	2
49	132- 47	PIN - cotter, 1/8 x 1-7/8"	1
50	D 41203	ROD - clutch	1
51	25- 118	NUT - 1/2" N.F. hex.	1
52	D 24221	YOKE - adjusting	1
53	D 41202	LEVER - clutch rod to housing	1
54	219- 13	FITTING - grease, 3/16" str. drive	1
55	A 35789	SPRING - return, clutch pedal	1



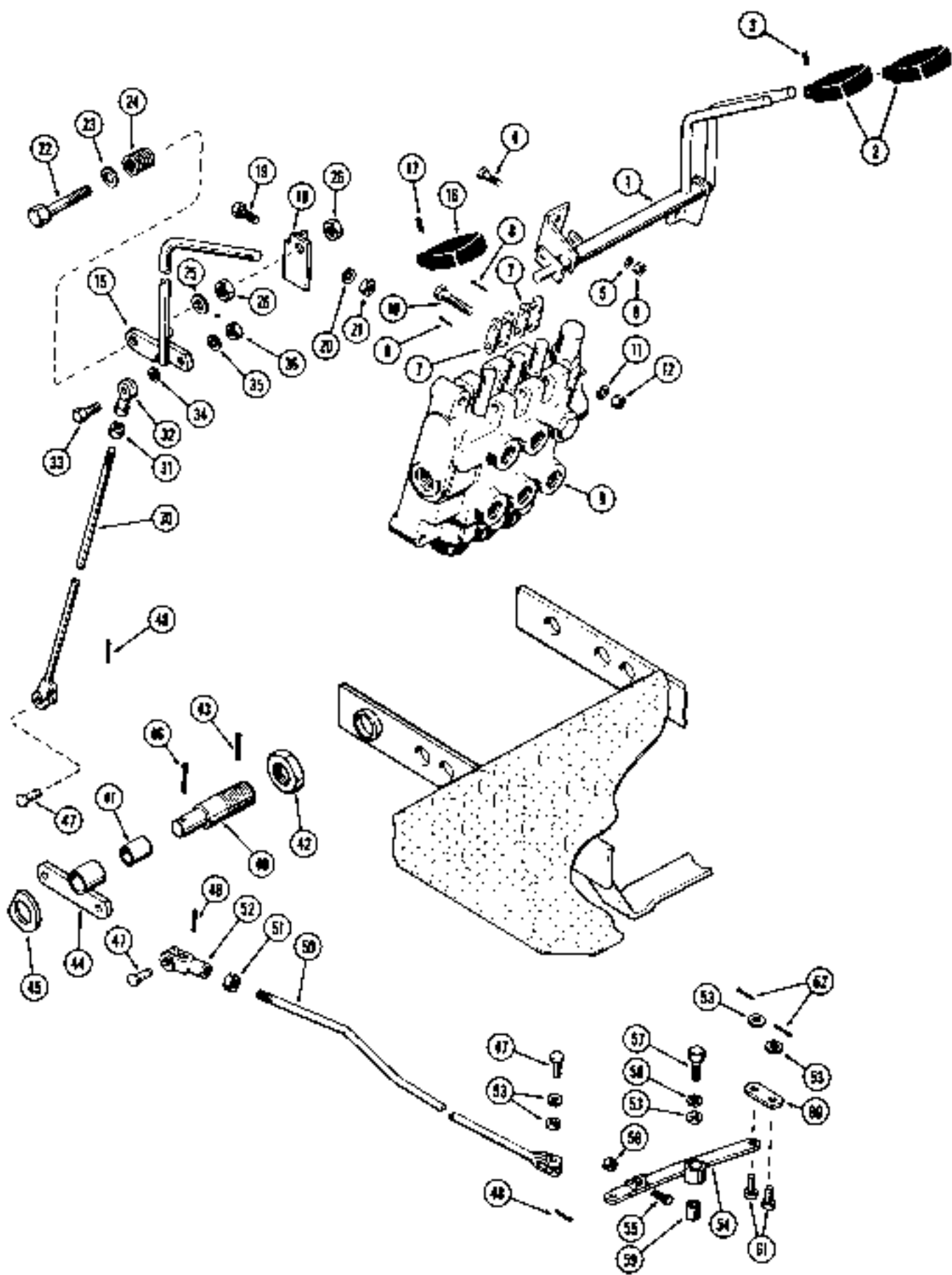
**BRAKE PEDALS AND LINKAGE
WITH POWER SHUTTLE**

REF.	PART NO.	DESCRIPTION	REQ'D
1	A 38605	LEVER - brake lock	1
2	13- 624	BOLT - 1/2 x 1-1/2" N.C. hex.	1
3	131- 10	NUT - lock, 1/2" N.C. hex.	1
4	A 38549	PEDAL - brake, R.H.	1
5	D 26052	BUSHING - pedal	1
6	A 38550	PEDAL - brake, L.H.	1
7	D 39753	SPACER - brake pedal	1
8	138- 138	PIN - roll, 1/4 x 1-1/2"	1
9	A 38561	ROD - brake pedal, R.H.	1
10	D 24221	YOKE - adjusting	1
11	25- 118	NUT - 1/2" N.F. hex.	1
12	141- 6	PIN - yoke	2
13	132- 47	PIN - cotter, 1/8 x 1-7/8"	2
14	D 25794	LEVER - brake, R.H.	1
15	D 24223	SPACER - lever	1
16	G 10848	SPRING - return, brake lever	1
17	D 41201	BRACKET - spring	1
18	13- 626	BOLT - 3/8 x 1-5/8" N.C. hex.	2
19	92- 6	WASHER - lock, 3/8"	2
20	25- 106	NUT - 3/8" N.C. hex.	2
25	D 24201	SHAFT - pivot, brake pedal	1
26	D 24206	BUSHING - flanged, cross shaft	2
27	D 41208	LEVER - brake, L.H.	1
28	138- 138	PIN - roll, 1/4 x 1-1/2"	2
29	D 41198	ROD - brake pedal to lever, L.H.	1
30	D 24221	YOKE - adjusting	1
31	25- 118	NUT - 1/2" N.F. hex.	1
32	141- 6	PIN - yoke	2
33	132- 47	PIN - cotter, 1/8 x 1-7/8"	2
34	D 25795	LEVER - brake, L.H.	1
35	219- 13	FITTING - grease, 3/16" str. drive	1
36	G 10848	SPRING - return, brake lever	1
40	D 24198	PEDAL - equalizer, brake	1
41	138- 138	PIN - roll, 1/4 x 1-1/2"	1
42	A 38559	SHAFT - equalizer brake	1
43	D 24206	BUSHING - flanged	2
44	A 38563	LEVER - equalizer, brake arm	2
45	A 38585	BUSHING - equalizer arm	2
46	A 37744	LEVER - equalizer, brake pedal	1
47	138- 96	PIN - roll, 3/16 x 1"	1
48	A 38562	LINK - equalizer lever	1
49	A 38285	SPACER - equalizer brake link	1
50	13- 624	BOLT - 1/2 x 1-1/2" N.C. hex.	1
51	A 38560	LINK - equalizer brake lever	4
52	A 31204	PIN - link, equalizer brake lever	4
53	132- 26	PIN - cotter, 3/32 x 3/4"	4
54	120- 21	KEY - equalizer lever (#A Woodruff)	1
55	D 24203	COLLAR - shaft retaining	1
56	178- 81	SCREW - set, 1/2 x 1/2" N.C. socket hd. cone pt.	1
57	138- 138	PIN - roll, 1/4 x 1-1/2"	1



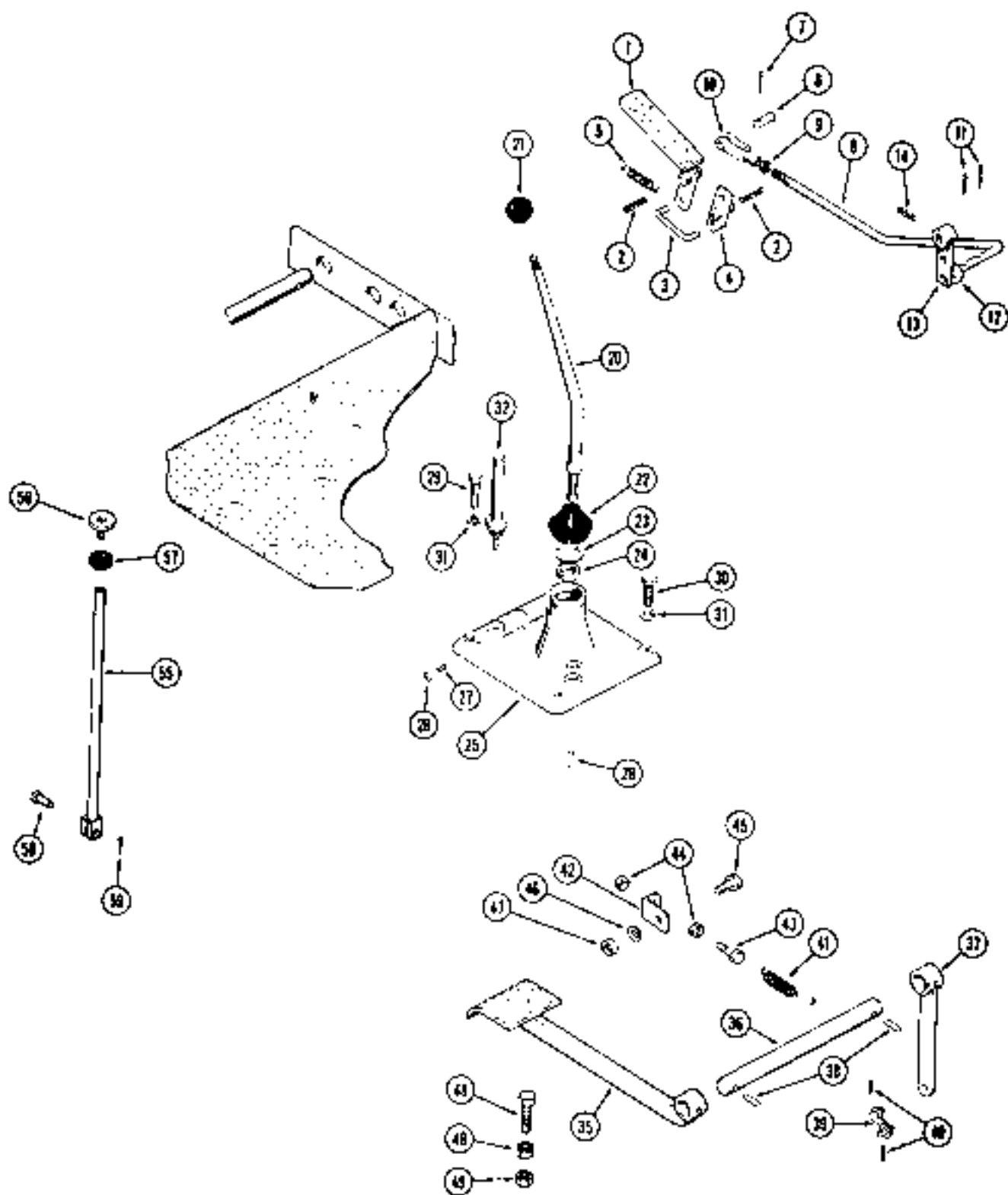
CONTROL LEVERS, SHUTTLE AND GEAR SHIFT
WITH MECHANICAL SHUTTLE

REF.	PART NO.	DESCRIPTION	REQ'D
	D 24288	LEVER ASSY. - accessory control	1
1	D 24184	KNOB - lever	1
2	138- 57	PIN - roll, 1/8 x 3/4"	1
3	NSS	LEVER - control	1
4	13- 632	BOLT - 3/8 x 2" N.C. hex. hd.	2
5	92- 6	WASHER - lock, 3/8"	2
6	25- 106	NUT - 3/8" N.C. hex.	2
7	D 24140	LINK - connecting, valve spool	1
8	132- 6	PIN - cotter, 1/16 x 5/8"	2
9	D 24184	KNOB - lever	2
10	138- 57	PIN - roll, 1/8 x 3/4"	2
11	D 24183	LEVER ASSY. - raise and tilt control	1
12	13- 616	BOLT - 3/8 x 1" N.C. hex.	4
13	92- 6	WASHER - lock, 3/8"	4
14	25- 106	NUT - 3/8" N.C. hex.	4
15	D 24140	LINK - connecting, valve spool	2
16	132- 6	PIN - cotter, 1/16 x 5/8"	2
17		VALVE - control, hydraulic (Order from Page 95)	1
18	13- 636	BOLT - 3/8 x 2-1/4" N.C. hex.	3
19	92- 6	WASHER - lock, 3/8"	3
20	25- 106	NUT - 3/8" N.C. hex.	3
21	D 24184	KNOB - lever	1
22	138- 57	PIN - roll, 1/8 x 3/4"	1
23	D 33732	LEVER - shuttle control	1
24	D 33731	BRACKET - control mounting	2
25	13- 616	BOLT - 3/8 x 1" N.C. hex.	4
26	92- 6	WASHER - lock, 3/8"	4
27	25- 106	NUT - 3/8" N.C. hex.	4
28	D 24281	PIN - yoke	4
29	132- 47	PIN - cotter, 1/8 x 7/8"	1
30	D 33179	ROD - shuttle control, hand lever	1
31	25- 118	NUT - 1/2" N.F. hex.	1
32	D 24221	YOKE - adjusting	1
33	D 33727	LEVER - lower L.H., shuttle control	1
34	138- 138	PIN - roll, 1/4 x 1-1/2"	2
35	D 33728	SHAFT - lower lever, shuttle control	1
36	D 24206	BUSHING - flanged, cross shaft	2
37	D 33729	LEVER - lower R.H., shuttle control	1
38	D 33184	ROD - lower lever to shuttle cover	1
39	25- 118	NUT - 1/2" N.F. hex.	1
40	D 24221	YOKE - adjusting	1
41	A 36183	LEVER - shuttle control cover	1
42	D 33178	DIPSTICK - transmission oil level	1
43	A 23885	KNOB - gear shift	1
44	A 36152	LEVER - gear shift	1
45	A 57878	COVER - dust	1
46	A 26838	RING - snap, shift lever seat	1
47	A 7823	RING - seat, shift lever	1
48	A 36155	COVER - gear shift control	1
49	25- 146	NUT - jam, 3/8" N.C. hex.	1
50	G 15488	SCREW - retaining, shift lever	1
51	13- 632	BOLT - 3/8 x 2" N.C. hex.	2
52	13- 624	BOLT - 3/8 x 1-1/2" N.C. hex.	2
53	92- 6	WASHER - lock, 3/8"	4
54	138- 200	PIN - roll, 1/2 x 1"	1
55	A 38920	KNOB - lever, dual range control lever	1
56	G 15656	LEVER - dual range control	1
57	126- 12	KEY - dual range lever (#6 Woodruff)	1



**CONTROL LEVERS AND SHUTTLE LINKAGE
WITH POWER SHUTTLE**

REF.	PART NO.	DESCRIPTION	REQ'D
1	D 24183	LEVER SET - raise & tilt control	1
2	D 24184	KNOB - lever	2
3	138- 57	PIN - roll, 1/8 x 3/4"	2
4	13- 616	BOLT - 3/8 x 1" N.C. hex.	4
5	92- 6	WASHER - lock, 3/8"	4
6	25- 106	NUT - 3/8" N.C. hex.	4
7	D 24140	LINK - connecting	2
8	132- 6	PIN - cotter, 1/16 x 5/8"	2
9		VALVE - hydraulic control (Order from Page 95)	1
10	13- 636	BOLT - 3/8 x 2-1/4" N.C. hex.	3
11	92- 6	WASHER - lock, 3/8"	3
12	25- 106	NUT - 3/8" N.C. hex.	3
15	A 38579	LEVER - shuttle control	1
16	D 24184	KNOB - lever	1
17	138- 57	PIN - roll, 1/8 x 3/4"	1
18	A 38804	BRACKET - control mounting	1
19	13- 616	BOLT - 3/8 x 1" N.C. hex.	2
20	92- 6	WASHER - lock, 3/8"	2
21	25- 106	NUT - 3/8" N.C. hex.	2
22	13- 848	BOLT - 1/2 x 3" N.C. hex.	1
23	G 49404	WASHER - 17/32 x 15/16 x 1/16"	1
24	A 31203	SPRING - tension, 1-1/2" free length	1
25	95- 8	WASHER - 9/16 x 1-3/8 x 7/64"	1
26	25- 148	NUT - 1/2" N.C. hex., jam	2
30	A 38578	ROD - shuttle, upper	1
31	25- 156	NUT - 3/8" N.F. hex., jam	1
32	A 32398	BEARING - spherical rod end	1
33	13- 620	BOLT - 3/8 x 1-1/4" N.C. hex.	1
34	A 32395	SPACER - 25/64 x 9/16 x 16 ga.	1
35	92- 6	WASHER - lock, 3/8"	1
36	25- 106	NUT - 3/8" N.C. hex.	1
40	A 38587	SHAFT - bellcrank	1
41	A 38588	BEARING - bellcrank	1
42	A 28246	NUT - bellcrank, 1-1/4" N.F. hex., jam	1
43	138- 140	PIN - roll, 1/4 x 1-3/4"	1
44	A 38583	BELLCRANK - power shuttle	1
45	A 38588	SPACER - bellcrank, 1-9/32 x 2-1/4 x 1/4"	1
46	132- 95	PIN - cotter, 3/16 x 1-1/2"	2
47	141- 4	PIN - clevis, 3/8"	1
48	132- 26	PIN - cotter, 3/32 x 3/4"	2
50	A 38590	ROD ASSY. - shuttle, lower	1
51	25- 156	NUT - 3/8" N.F. hex., jam	1
52	213- 4	YOKE - end	1
53	95- 6	WASHER - 7/16 x 1 x 5/64"	5
54	A 38591	ARM ASSY. - shuttle pivot	1
55	13- 412	BOLT - 1/4 x 3/4" N.C. hex.	1
58	25- 144	NUT - 1/4" N.C. hex., jam	1
57	13- 620	BOLT - 3/8 x 1-1/4" N.C. hex.	1
58	92- 6	WASHER - lock, 3/8"	1
59	A 38594	PIVOT - shuttle arm	1
60	A 38595	LINK - shuttle pivot	1
61	141- 4	PIN - clevis, 3/8"	2
62	132- 26	PIN - cotter, 3/32 x 3/4"	2

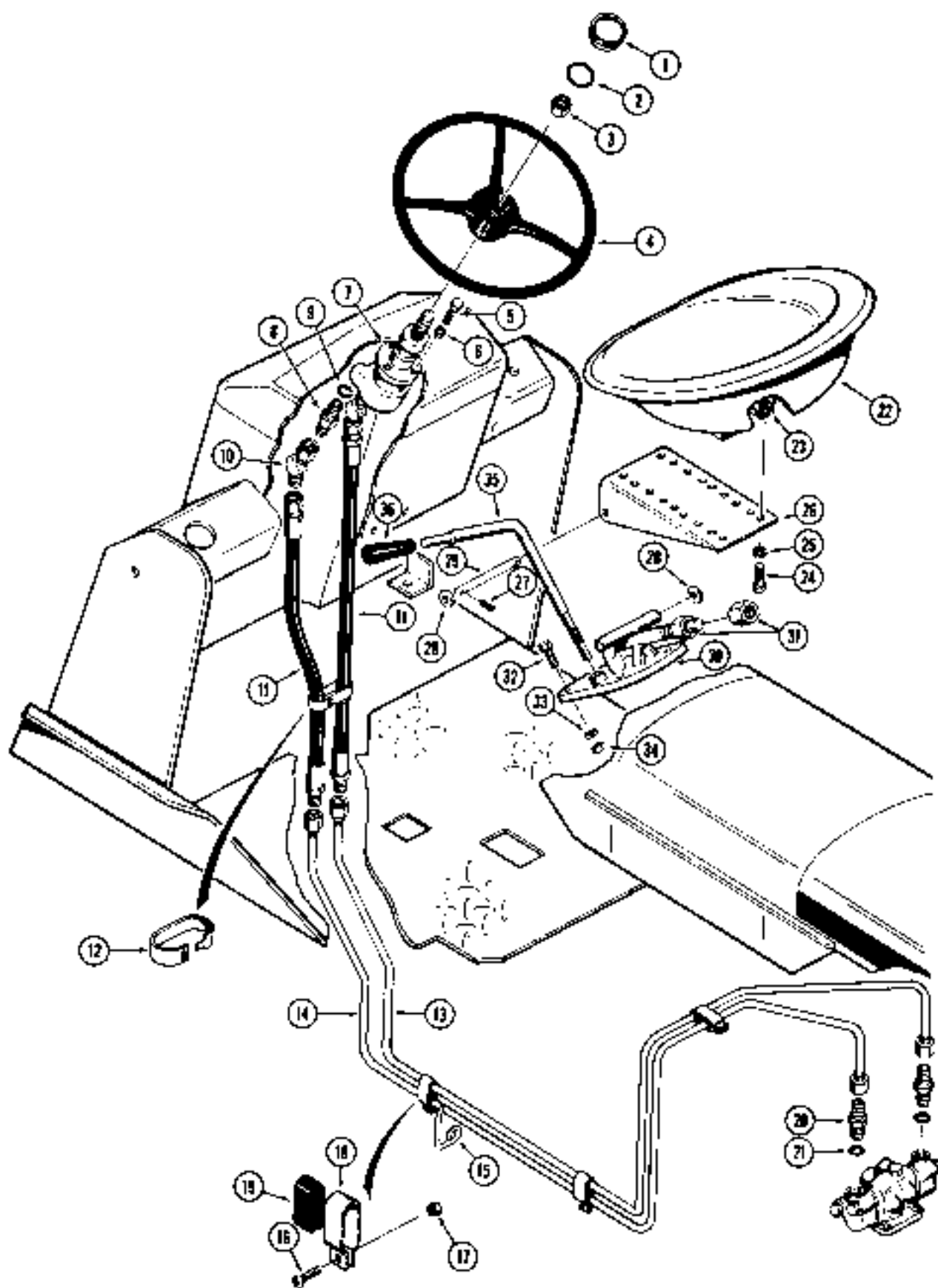


**FOOT THROTTLE, GEAR SHIFT AND CLUTCH
WITH POWER SHUTTLE**

REF.	PART NO.	DESCRIPTION	REQ'D
1	D 24208	PEDAL - foot throttle	1
2	138- 138	PIN - roll, 1/4 x 1-1/2"	2
3	D 24214	LINK - connecting	1
4	D 24209	ARM - pivot	1
5	D 24216	SPRING - foot throttle	1
6	D 24213	PIN - clevis	1
7	132- 4	PIN - cotter, 1/16 x 7/16"	1
8	D 41204	ROD - connecting	1
9	25- 114	NUT - 1/4" N.F. hex.	1
10	D 24212	YOKE - rod	1
11	132- 26	PIN - cotter, 3/32 x 3/4"	2
12	95- 5	WASHER - 3/8 x 7/8 x 5/64"	1
13	D 41200	LEVER - foot throttle	1
14	138- 77	PIN - roll, 5/32 x 1"	1
20	A 38152	LEVER - gear shift	1
21	A 23885	KNOB - gear shift	1
22	A 57876	COVER - dust	1
23	A 26836	RING - snap, lever seat	1
24	A 7923	RING - seat, shift lever	1
25	A 36155	COVER - transmission	1
26	25- 146	NUT - 3/8" N.C. hex., jam	1
27	G 15468	SCREW - retaining, shift lever	1
28	138- 200	PIN - roll, 1/2 x 1"	1
29	13- 632	BOLT - 3/8 x 2" N.C. hex.	2
30	13- 624	BOLT - 3/8 x 1-1/2" N.C. hex.	2
31	92- 6	WASHER - lock, 3/8"	4
32	D 33178	DIPSTICK - transmission	1
35	A 38567	PEDAL - clutch	1
36	A 38573	SHAFT - clutch cross	1
37	A 38571	LEVER - clutch spool	1
38	138- 138	PIN - roll, 1/4 x 1-1/2"	2
39	A 38574	LINK - clutch spool	1
40	132- 5	PIN - cotter, 1/16 x 1/2"	2
41	A 38576	SPRING - clutch return, 17 coils, 1-3/4" free length	1
42	A 38577	BRACKET - clutch return	1
43	13- 420	BOLT - 1/4 x 1-1/4" N.C. hex.	1
44	25- 144	NUT - 1/4" N.C. hex., jam	2
45	13- 824	BOLT - 1/2 x 1-1/2" N.C. hex.	1
46	92- 8	WASHER - lock, 1/2"	1
47	25- 108	NUT - 1/2" N.C. hex.	1
48	13- 526	BOLT - 5/16 x 1-5/8" N.C. hex.	1
49	25- 145	NUT - 5/16" N.C. hex., jam	2

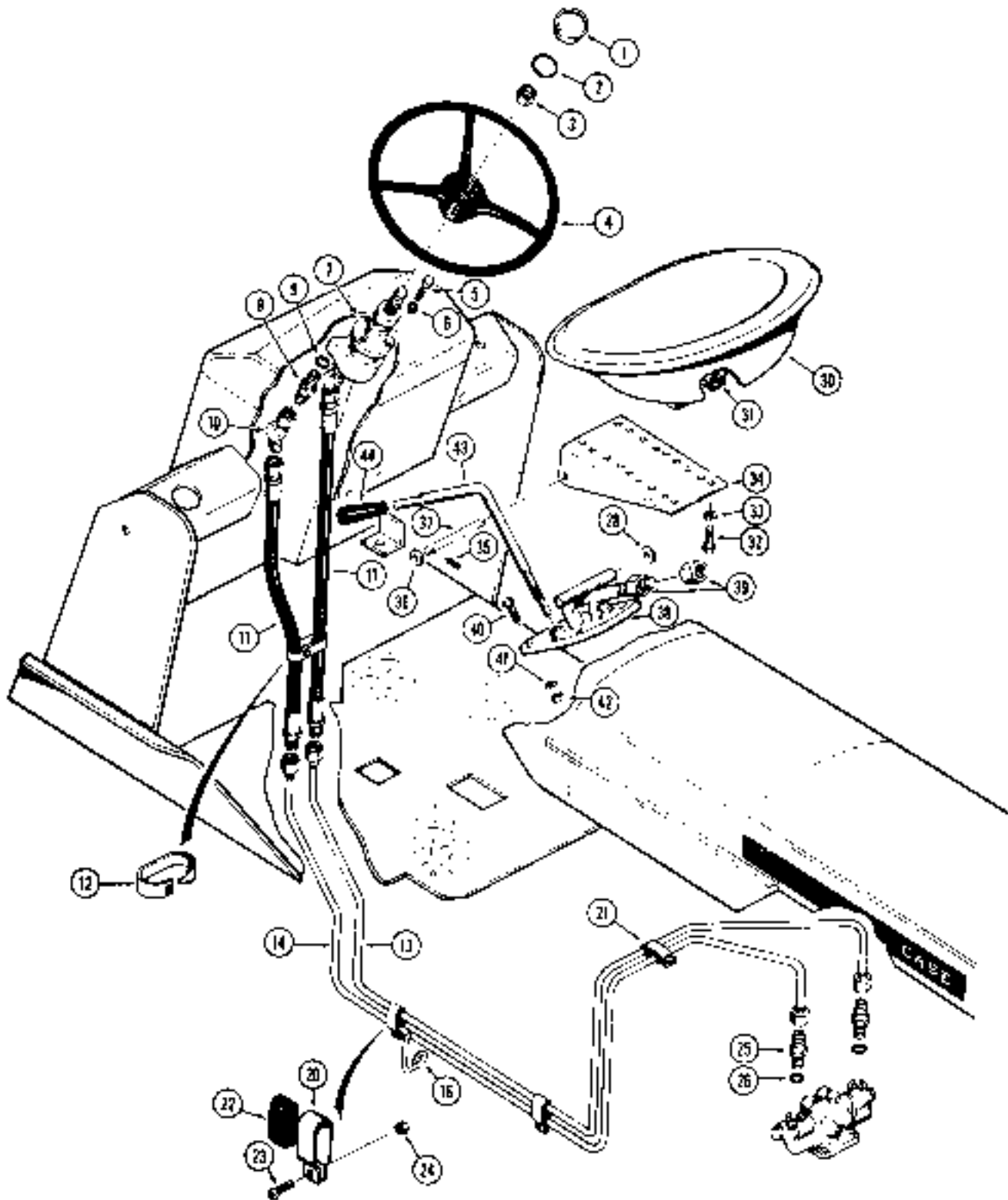
DIFFERENTIAL LOCK CONTROLS

55	A 38507	ROD - differential lock	1
56	A 37501	PEDAL - differential lock	1
57	A 38599	GROMMET - differential lock shaft	1
58	141- 3	PIN - clevis, 5/16"	1
59	132- 26	PIN - cotter, 3/32 x 3/4"	1



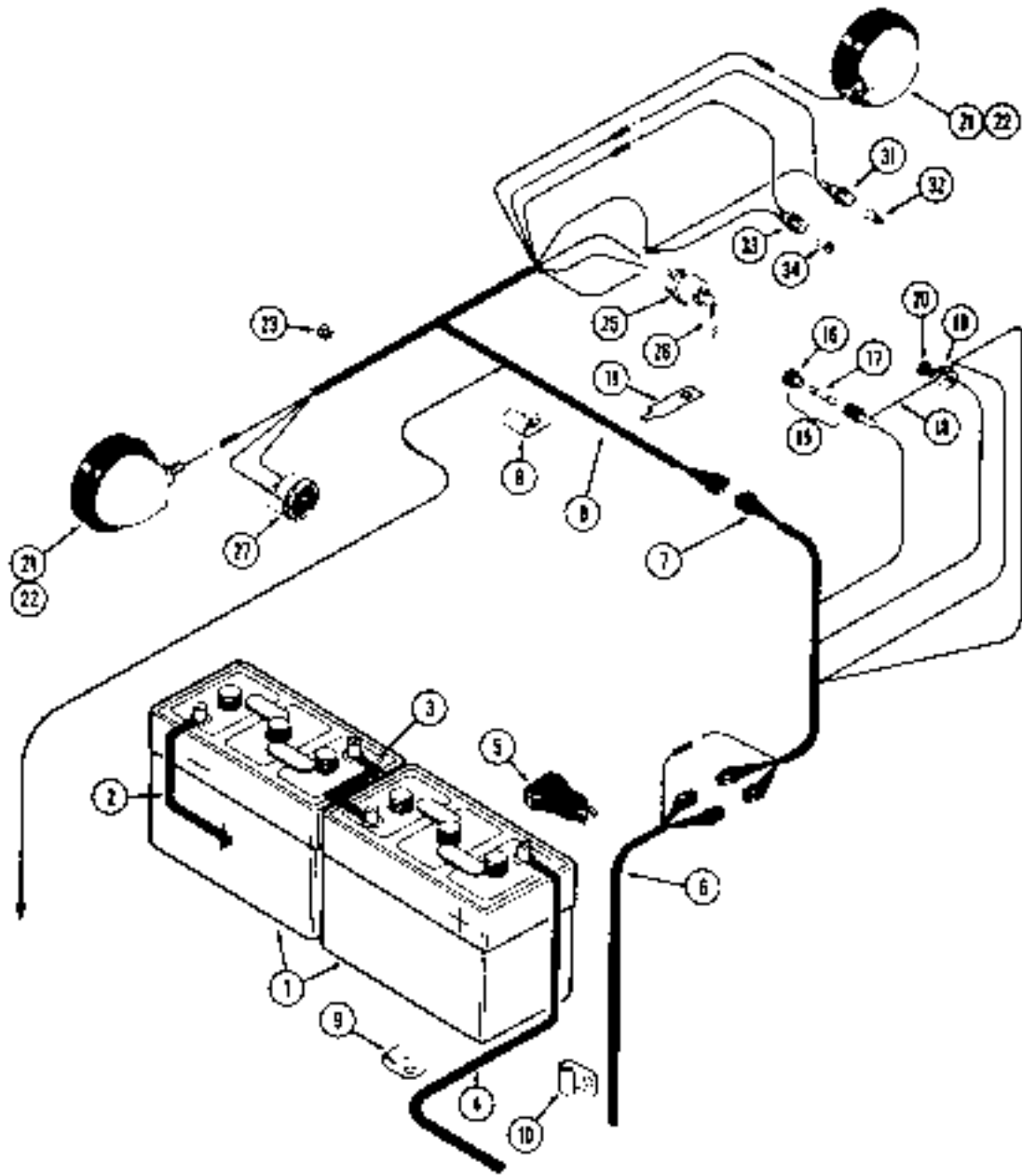
SEAT, STEERING WHEEL AND HYDRAULICS
WITH MECHANICAL SHUTTLE

REF.	PART NO.	DESCRIPTION	REQ'D
1	A 38785	MEDALLION - steering wheel	1
2	A 28918	"O" RING - medallion (2-1/2 x 2-3/4 x 1/8")	1
3	F 19646	NUT - special, steering wheel	1
4	A 35602	WHEEL - steering	1
5	13- 512	BOLT - 5/16 x 3/4" N.C. hex.	4
6	92- 5	WASHER - lock, 5/16"	4
7	A 35579	PUMP - manual power (See 580 Construction King Wheel Tractor Parts Catalog for repair list)	1
8	218- 5059	CONNECTOR - pump, 1/2" tube x 3/4" N.C. str.	2
9	218- 5006	"O" RING - conn. seal, 1/2" tube	1
10	218- 5173	ELBOW - 45° swivel, 1/2" tube x 3/4" N.C.	2
11	A 36182	HOSE - hydraulic, pump to tube (29")	2
12	A 35209	CLAMP - hose	1
13	A 36539	TUBE - R.H., hose to steering valve	1
14	A 36539	TUBE - L.H., hose to steering valve	1
15	G 15434	SUPPORT - tube	1
16	174- 203	SCREW - machine, #10-32 x 3/4" Philips hd.	3
17	192- 1000	NUT - lock, #10-32 hex.	3
18	G 46194	CLAMP - tube	3
19	G 46935	GROMMET - tube clamp	3
20	218- 5059	CONNECTOR - valve, 1/2" tube x 3/4" N.C. str.	2
21	218- 5006	"O" RING - conn. seal, 1/2" tube	1
22	D 24180	SEAT - operators	1
23	25- 117	NUT - 7/16" N.F. hex.	4
24	14- 712	BOLT - 7/16 x 3/4" N.F. hex.	4
25	92- 7	WASHER - lock, 7/16"	4
26	D 33733	PLATE - seat base	1
27	138- 61	PIN - roll, 1/8 x 1"	2
28	95- 8	WASHER - plain, 9/16 x 1-3/8 x 7/64"	2
29	D 33734	PIN - seat pivot	1
	D 41199	SUPPORT - seat	1
30	NSS	FRAME - seat support	1
31	25- 1118	NUT - hex, 1"	2
32	13- 824	BOLT - 3/8 x 1-1/2" N.C. hex.	4
33	92- 6	WASHER - lock, 3/8"	4
34	25- 106	NUT - 3/8" N.C. hex.	4
35	A 38172	LEVER - hand throttle	1
36	A 37247	HANDLE - lever	1



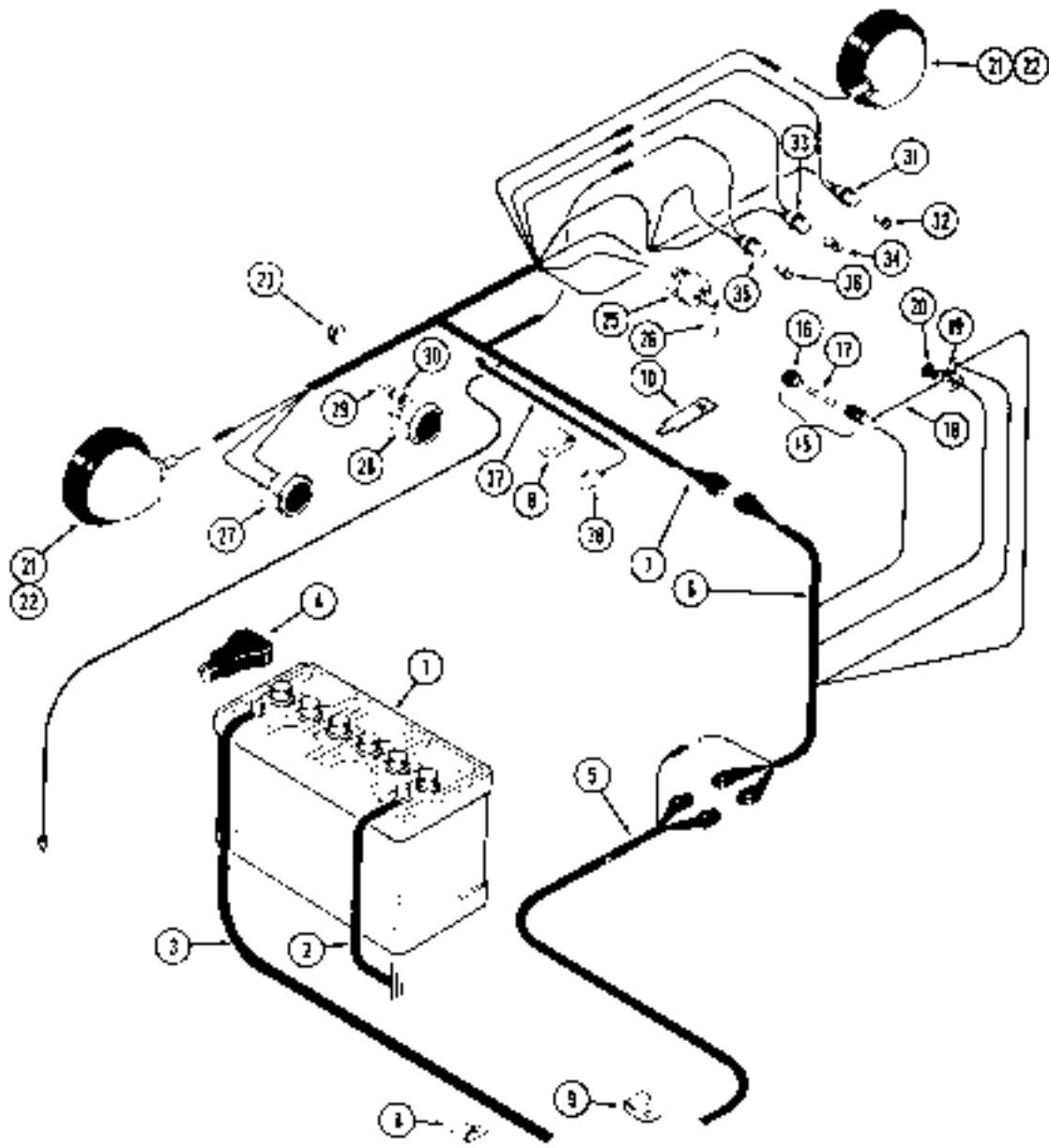
SEAT, STEERING WHEEL AND HYDRAULICS
WITH POWER SHUTTLE

REF.	PART NO.	DESCRIPTION	REQ'D
1	A 38785	MEDALLION - steering wheel	1
2	A 28318	"O" RING - medallion (2-1/2 x 2-3/4 x 1/8")	1
3	F 19848	NUT - special, steering wheel	1
4	A 35602	WHEEL - steering	1
5	13- 512	BOLT - 5/16 x 3/4" N.C. hex.	4
6	92- 6	WASHER - lock, 5/16"	4
7	A 35578	PUMP - manual steering (See 580 C.K. Wheel Tractor Parts Catalog for repairs)	1
8	218- 5059	CONNECTOR - pump, 1/2" tube x 3/4" N.C. str.	2
9	218- 5006	"O" RING - conn. seal, 1/2" tube	1
10	218- 5173	ELBOW - 45° swivel, 1/2" tube x 3/4" N.C.	2
11	A 36162	HOSE - hydraulic, pump to tube (29" long)	2
12	A 35209	CLAMP - hose	1
13	A 38466	TUBE - R.H., hose to steering valve	1
14	A 38487	TUBE - L.H., hose to steering valve	1
16	A 38555	SUPPORT - hydraulic tubes	1
20	49838	CLAMP - tube	4
21	G 46194	CLAMP - tube	1
22	G 46835	GROMMET - clamp	1
23	174- 203	SCREW - mach., #10 x 3/4" N.F., Phil. hd.	1
24	183- 1000	NUT - lock, #10 N.F. hex.	1
25	218- 5059	CONNECTOR - valve, 1/2" tube x 3/4" N.C. str.	2
28	218- 5006	"O" RING - conn. seal, 1/2" tube	1
30	D 24180	SEAT - operator's	1
31	25- 117	NUT - 7/16" N.F. hex.	4
32	14- 712	BOLT - 7/16 x 3/4" N.F. hex.	4
33	92- 7	WASHER - lock, 7/16"	4
34	D 33733	PLATE - seat base	1
35	138- 61	PIN - roll, 1/8 x 1"	2
36	95- 8	WASHER - 9/16 x 1-3/8 x 7/64"	2
37	D 33734	PIN - seat pivot	1
	D 41199	SUPPORT - seat (not illust.)	1
38	NSS	FRAME - seat support (Order D41199)	1
39	25- 1118	NUT - 1" N.F. hex.	2
40	13- 624	BOLT - 3/8 x 1-1/2" N.C. hex.	4
41	92- 6	WASHER - lock, 3/8"	4
42	25- 109	NUT - 3/8" N.C. hex.	4
43	A 38172	LEVER - hand throttle	1
44	A 37247	HANDLE - lever	1



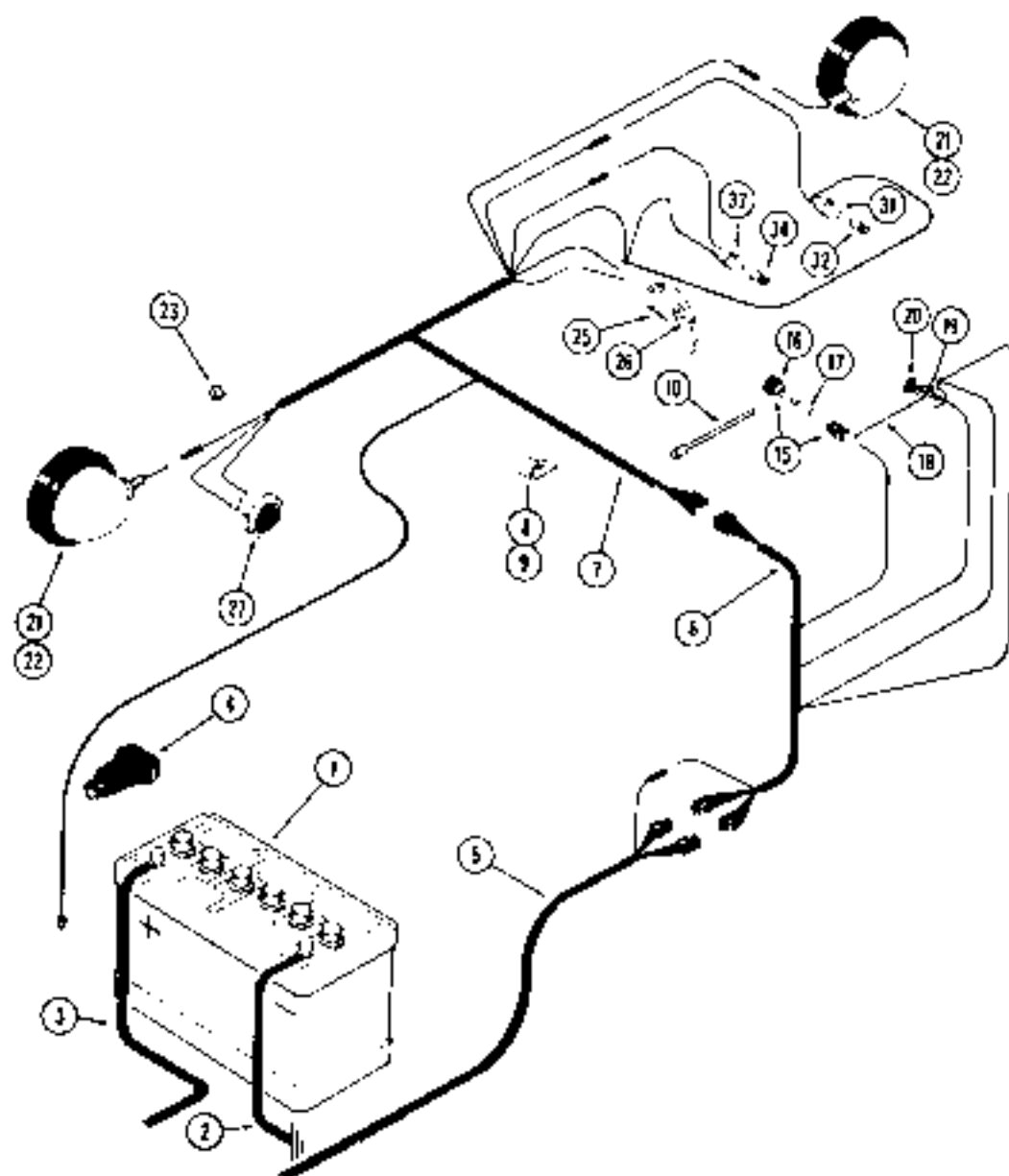
ELECTRICAL SYSTEM
188 DIESEL WITH MECHANICAL SHUTTLE

REF.	PART NO.	DESCRIPTION	REQ'D
1	G 44890	BATTERY - (8 volt)	2
2	A 27985	CABLE - battery ground	1
3	A 37515	CABLE - jumper, battery	1
4	A 23024	CABLE - battery to starter solenoid	1
5	A 27072	BOOT - cable to positive terminal	1
6	A 37514	HARNESS ASSY. - main (tractor)	1
7	A 38187	HARNESS ASSY. - lower, control tower	1
8	A 38166	HARNESS ASSY. - upper, control tower	1
9	A 37179	CLIP - cable & harness	4
10	A 22883	CLIP - harness to control cover	1
11	A 22826	STRAP - harness	1
15	A 22874	HOLDER ASSY. - fuse	1
16	A 10958	CAP - fuse holder	1
17	223- 20	FUSE - 20 amp.	1
18	A 22875	WIRE - fuse to light switch (red 4")	1
19	G 13142	SWITCH ASSY. - light	1
20	G 13141	KNOB - light switch	1
21	A 33641	LAMP ASSY. - head	2
22	A 24572	LAMP - sealed unit	1
23	G 46047	CLIP - lamp wire	3
25	A 24510	SWITCH ASSY. - starting	1
26	A 24509	KEY - starting (Set of 2)	1
27	A 24080	GAUGE - engine temperature	1
31	A 24084	LAMP - warning, engine oil pressure	1
32	A 24354	BULB - (#57 red)	1
33	A 24085	LAMP - warning, generator	1
34	A 24354	BULB - (#57 red)	1



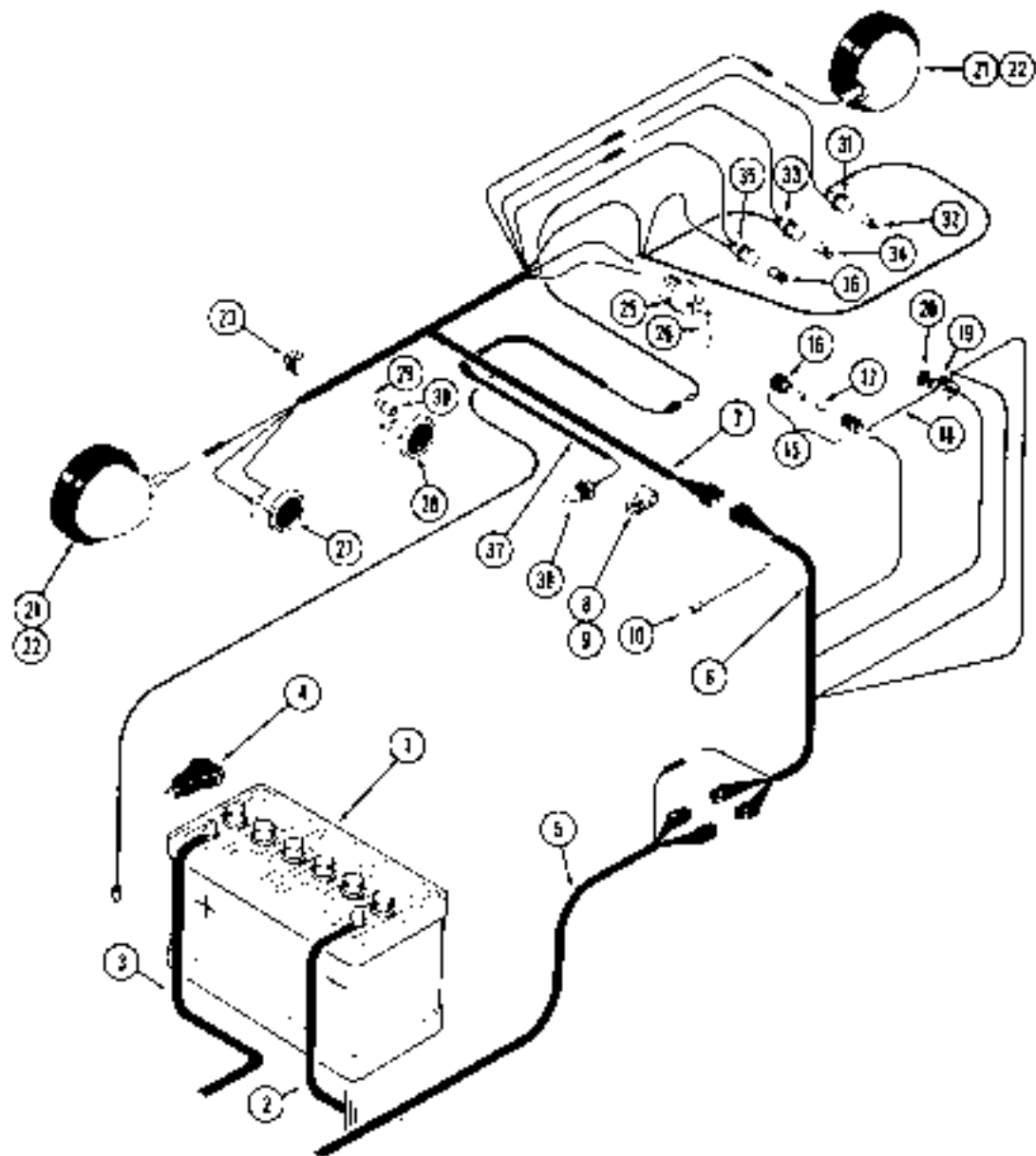
ELECTRICAL SYSTEM
188 DIESEL WITH POWER SHUTTLE

REF.	PART NO.	DESCRIPTION	REQ'D
1	A 38411	BATTERY - (12 volt)	1
2	A 38414	STRAP - battery ground	1
3	A 38415	CABLE - battery to starter solenoid	1
4	A 27072	BOOT - cable to positive terminal	1
5	A 37514	HARNES ASSY. - main (tractor)(w/generator)	
		(Used prior to trac. SN 8656686)	1
5	A 38950	HARNES ASSY. - main (tractor)(w/alternator)	
		(1st used trac. SN 8656686)	1
6	A 38167	HARNES ASSY. - lower, control tower	1
7	A 38166	HARNES ASSY. - upper, control tower	1
8	A 37179	CLIP - cable & harness	4
9	A 22883	CLIP - harness to control cover	1
10	A 22926	STRAP - harness	1
15	A 22874	HOLDER ASSY. - fuse	1
16	A 10958	CAP - fuse holder	1
17	223- 20	FUSE - 20 amp.	1
18	A 22875	WIRE - fuse to light switch (red 4")	1
19	G 13142	SWITCH ASSY. - light	1
20	G 13141	KNOB - light switch	1
21	A 33641	LAMP ASSY. - head	2
22	A 24572	LAMP - sealed unit	1
23	G 48047	CLIP - lamp wire	3
25	A 24510	SWITCH ASSY. - starting	1
26	A 24509	KEY - starting (Set of 2)	1
27	A 24080	GAUGE - engine temperature	1
28	A 33982	GAUGE - clutch pressure	1
29	A 8216	TUBE - oil, pressure gauge	1
30	222- 10	CONNECTOR - tube, 1/8" tube x 1/8" P.T.	1
31	A 24084	LAMP - warning, engine oil pressure	1
32	A 24354	BULB - (#57 red)	1
33	A 24085	LAMP - warning (generator)(Used prior to trac. SN 8656686)	1
33	A 38816	LAMP - warning (alternator)(1st used trac. SN 8656686)	1
34	A 24354	BULB - (#57 red)(w/generator)	1
34	F 21950	BULB - (#431 red)(w/alternator)	1
35	A 32145	LAMP - warning, clutch oil temperature	1
36	A 24354	BULB - (#57 red)	1
37	A 38465	WIRE - lamp to oil temp. sender (88")	1
38	A 33241	SENDER - temperature, clutch oil	1



ELECTRICAL SYSTEM
169 GAS WITH MECHANICAL SHUTTLE

REF.	PART NO.	DESCRIPTION	REQ'D
1	G 44805	BATTERY - (12 volt)	1
2	A 38414	STRAP - battery ground	1
3	A 23024	CABLE - battery to starter solenoid	1
4	A 27072	BOOT - cable to positive terminal	1
5	A 37514	HARNESS ASSY. - main (tractor)	1
6	A 38187	HARNESS ASSY. - lower, control tower	1
7	A 38186	HARNESS ASSY. - upper, control tower	1
8	A 37179	CLIP - cable & harness	4
9	A 22883	CLIP - harness to control cover	1
10	A 22928	STRAP - harness	1
15	A 22874	HOLDER ASSY. - fuse	1
16	A 10958	CAP - fuse holder	1
17	223- 20	FUSE - 20 amp.	1
18	A 22875	WIRE - fuse to light switch (red 4")	1
19	G 13142	SWITCH ASSY. - light	1
20	G 13141	KNOB - light switch	1
21	A 33641	LAMP ASSY. - head	2
22	A 24572	LAMP - sealed unit	1
23	G 46047	CLIP - lamp wire	2
25	A 24511	SWITCH ASSY. - starting	1
26	A 24509	KEY - starting (Set of 2)	1
27	A 24080	GAUGE - engine temperature	1
31	A 24084	LAMP - warning, engine oil pressure	1
32	A 24354	BULB - (#57 red)	1
33	A 24085	LAMP - warning, generator	1
34	A 24354	BULB - (#57 red)	1



ELECTRICAL SYSTEM
159 GAS WITH POWER SHUTTLE

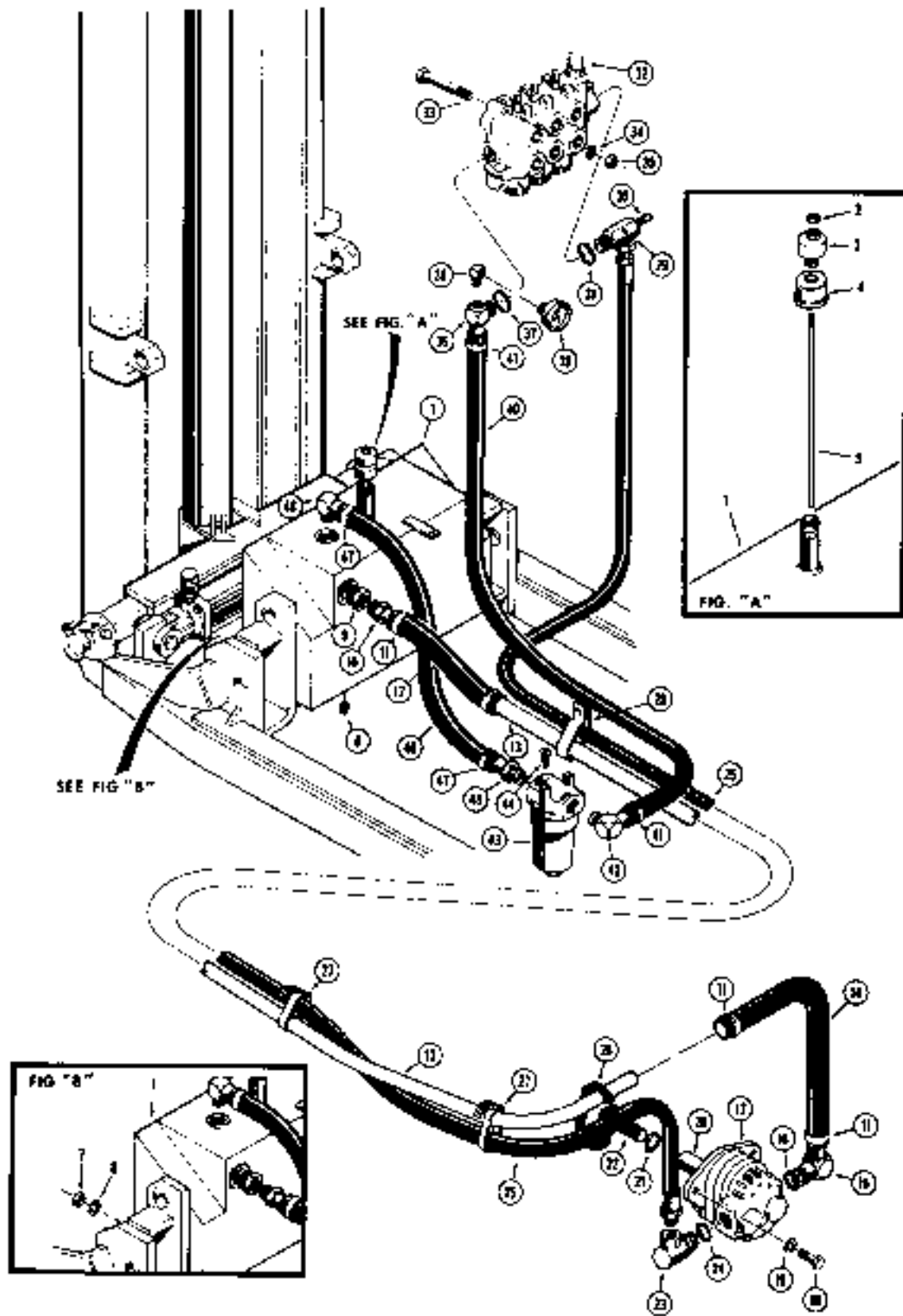
REF.	PART NO.	DESCRIPTION	REQ'D
1	F 22631	BATTERY - (12 volt)	1
2	A 38414	STRAP - battery ground	1
3	A 23024	CABLE - battery to starter solenoid	1
4	A 27072	BOOT - cable to positive terminal	1
5	A 37514	HARNESS ASSY. - main (tractor)(w/generator) (Used prior to trac. SN 8656686)	1
6	A 38950	HARNESS ASSY. - main (tractor)(w/alternator) (1st used trac. SN 8656686)	1
8	A 38167	HARNESS ASSY. - lower, control tower	1
7	A 38186	HARNESS ASSY. - upper, control tower	1
8	A 37179	CLIP - cable & harness	4
9	A 22883	CLIP - harness to control cover	1
10	A 22826	STRAP - harness	1
13	A 22874	HOLDER ASSY. - fuse	1
16	A 10858	CAP - fuse holder	1
17	223- 20	FUSE - 20 amp.	1
18	A 22875	WIRE - fuse to light switch (red 4')	1
19	G 13142	SWITCH ASSY. - light	1
20	G 13141	KNOB - light switch	1
21	A 33641	LAMP ASSY. - head	2
22	A 24572	LAMP - sealed unit	1
23	G 48047	CLIP - lamp wire	3
25	A 24511	SWITCH ASSY. - starting	1
26	A 24509	KEY - starting (Set of 2)	1
27	A 24080	GAUGE - engine temperature	1
28	A 33982	GAUGE - clutch pressure	1
29	A 8216	TUBE - oil pressure gauge	1
30	222- 10	CONNECTOR - tube, 1/8" tube x 1/8" P.T.	1
31	A 24084	LAMP - warning, engine oil pressure	1
32	A 24354	BULB - (#57 red)	1
33	A 24085	LAMP - warning (generator)(Used prior to trac. SN 8656686).	1
33	A 38816	LAMP - warning (alternator)(1st used trac. SN 8656686).	1
34	A 24354	BULB - (#57 red)(w/generator)	1
34	F 21950	BULB - (#431 red)(w/alternator)	1
35	A 32145	LAMP - warning, clutch oil temperature	1
36	A 24354	BULB - (#57 red)	1
37	A 38465	WIRE - lamp to oil temp. sender (58")	1
38	A 33241	SENDER - temperature, clutch oil	1

**BATTERY BOX
WITH MECHANICAL SHUTTLE**

REF.	PART NO.	DESCRIPTION	REQ'D
1	G 10752	SUPPORT - battery case	1
2	13- 628	BOLT - 3/8 x 1-3/4" N.C. hex.	3
3	25- 106	NUT - 3/8" N.C. hex.	3
4	92- 6	WASHER - lock, 3/8"	3
5	A 37904	CASE - battery	1
6	175- 413	SCREW - 5/16 x 3/4" N.C. Phillips hd.	2
7	131- 105	NUT - retaining, 5/16" N.C.	2
8	13- 1020	BOLT - 5/8 x 1-1/4" N.C. hex.	2
9	92- 10	WASHER - lock, 5/8"	2
10	A 37909	ANGLE - hold down, battery	1
11	11- 664	BOLT - 3/8 x 4" N.C. rd. hd. sq. nk.	2
12	G 46867	GROMMET - rubber	2
13	129- 406	NUT - wing, 3/8" N.C.	2
14	G 49400	WASHER - plain (13/32 x 1-5/32 x 1/16")	2
15	A 37910	COVER - battery case	1
16	11- 620	BOLT - 3/8 x 1-1/4" N.C. rd. hd. sq. nk.	2
17	129- 406	NUT - wing, 3/8" N.C.	2
18	G 49400	WASHER - plain (13/32 x 1-5/32 x 1/16")	2

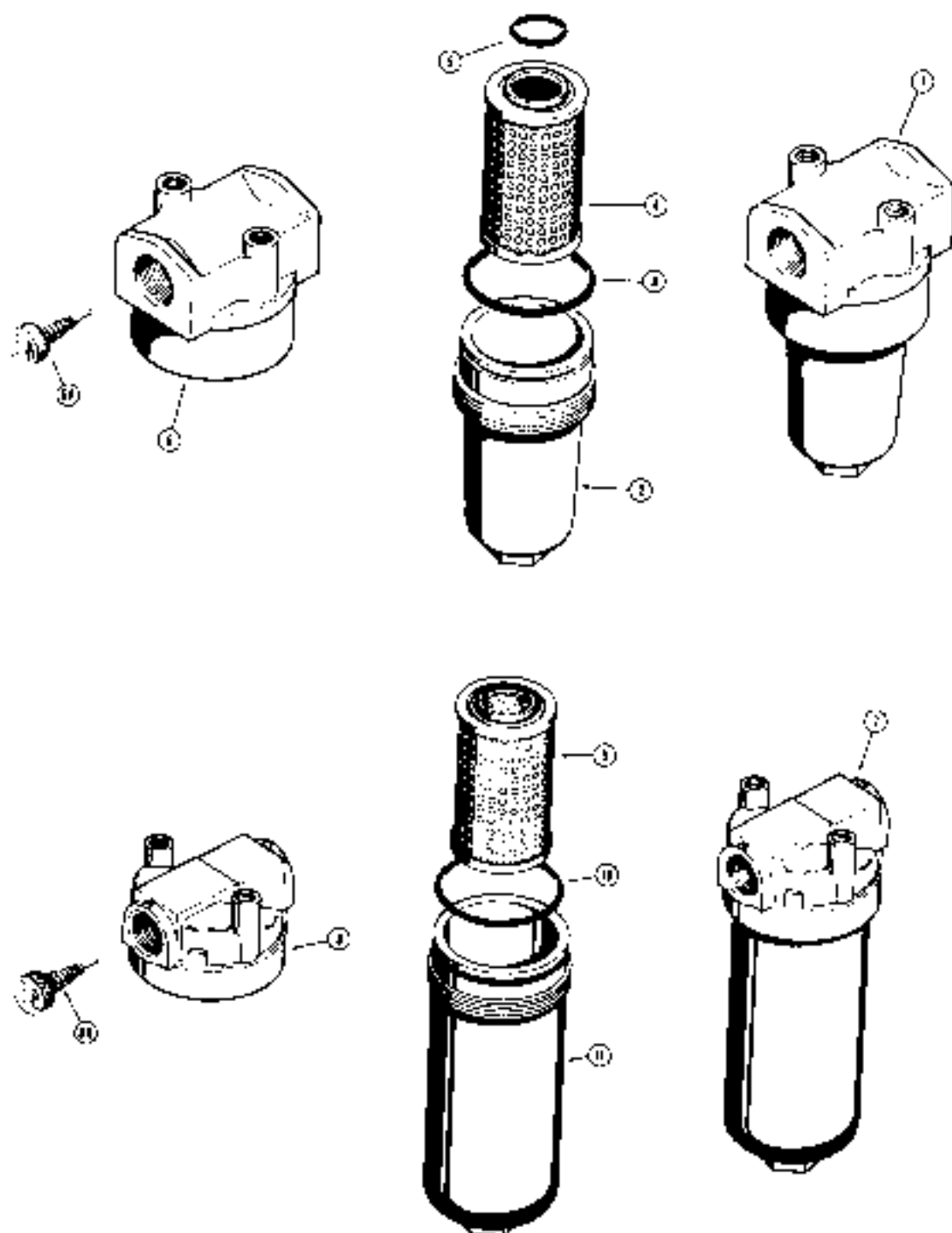
WITH POWER SHUTTLE

25	G 10752	SUPPORT - battery case	1
26	13- 628	BOLT - 3/8 x 1-3/4" N.C. hex.	3
27	25- 106	NUT - 3/8" N.C. hex.	3
28	92- 6	WASHER - lock, 3/8"	3
29	A 38601	CASE - battery	1
30	175- 413	SCREW - 5/16 x 3/4" N.C. Phillips hd.	2
31	131- 105	NUT - retaining, 5/16" N.C.	2
32	13- 1020	BOLT - 5/8 x 1-1/4" N.C. hex.	1
33	92- 10	WASHER - lock, 5/8"	1
34	95- 10	WASHER - plain, 11/16 x 1-3/4 x 9/64"	1
35	A 38603	SPACER - battery case mounting	1
36	A 37909	ANGLE - hold down, battery	1
37	11- 664	BOLT - 3/8 x 4" N.C. rd. hd. sq. nk.	2
38	G 46867	GROMMET - rubber	2
39	129- 406	NUT - wing, 3/8" N.C.	2
40	G 49400	WASHER - plain (13/32 x 1-5/32 x 1/16")	2
41	A 38600	COVER - battery case	1
42	11- 620	BOLT - 3/8 x 1-1/4" N.C. rd. hd. sq. nk.	2
43	129- 406	NUT - wing, 3/8" N.C.	2
44	G 49400	WASHER - plain (13/32 x 1-5/32 x 1/16")	2



FORK LIFT PRIMARY HYDRAULICS

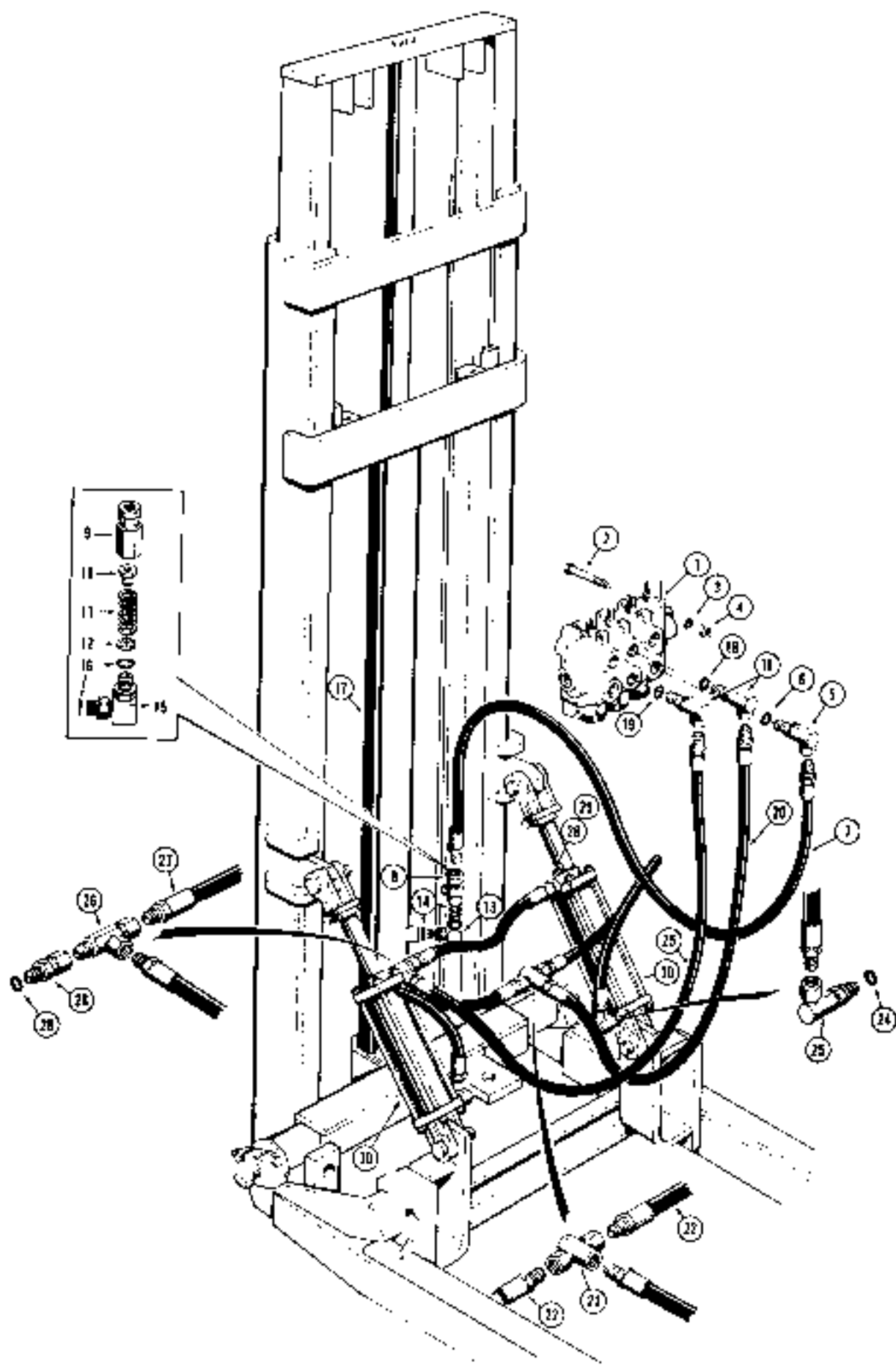
REF.	PART NO	DESCRIPTION	REQ'D.
1	D 40828	RESERVOIR - hydraulic oil	1
	D 32599	BREATHER AND DIPSTICK ASSEMBLY	1
2	25- 104	NUT - hex. 1 1/4" - 20 NC)	1
3	D 33155	BREATHER - hydraulic reservoir	1
4	D 33154	CAP - breather	1
5	D 32608	DIPSTICK - oil level	1
6	221- 4	PLUG - pipe, square head (1/2" NPT)	1
7	25- 108	NUT - hex. 1 1/2" - 13 NC)	2
8	92- 8	WASHER - med. sect. lock (1-2")	2
9	221- 76	HUSHING - reducer (1-1/2" NPT to 1-1/4" NPT)	1
10	D 33743	STEM - hose, straight	1
11	214- 258	CLAMP - hose	4
12	D 40835	HOSE - suction (1-1 4" I.D. x 16" long)	1
13	D 40837	TUBE - suction	1
14	D 40834	HOSE - suction (1-1 4" I.D. x 26" long)	1
15	D 33741	STEM - hose, 90	1
16	218- 5011	SEAL - "O"ring	1
17	D 41390	PUMP - hydraulic, 20 G.P.M. @ 1900 R.P.M. @ 1950 P.S.I. (Parts list page 93)	1
18	13- 828	HHCS - 1-2" - 13 NC x 1-3/4"	2
19	92- 8	WASHER - med. sect. lock (1-2")	2
20	D 31108	COUPLING - female, pump to shaft	1
21	G 46150	SNAP RING - coupling	1
22	D 30569	SHAFT - pump drive	1
23	D 33740	ELBOW - 90, swivel	1
24	218- 5010	SEAL - "O"ring	1
25	D 33739	HOSE - pump to valve (3 4" I.D. x 145" long)	1
26	D 33854	TRIM - rubber, side panel	1
27	214- 258	CLAMP - hose	2
28	D 40836	CLAMP - hose	1
29	D 39474	ELBOW - adjustable, 90	1
30	221- 12	PLUG - pipe, square head (1/4" NPT)	1
31	218- 5008	SEAL - "O"ring	1
32	REF.	VALVE - hydraulic control (Parts list page 95)	1
33	13- 636	HHCS - 3 8" - 16 NC x 2-1/4"	3
34	92- 6	WASHER - med. sect. lock (3 8")	3
35	25- 106	NUT - hex. (3/8" - 16 NC)	3
36	D 39473	STEM - hose, 90	1
37	218- 5008	SEAL - "O"ring	1
38	221- 411	ELBOW - street (1/8" NPT)	1
39	D 29650	GAUGE - filter pressure	1
40	D 33738	HOSE - valve to filter (1" I.D. x 50" long)	1
41	214- 258	CLAMP - hose	2
42	D 24162	STEM - hose, 90	1
43	REF.	FILTER - hydraulic, oil (Parts list page 73)	1
44	164- 71	SCREW - flat head, hex. socket (1/2" - 13 NC x 1")	2
45	D 33735	STEM - hose, straight	1
46	D 33737	HOSE - filter to reservoir (1" I.D. x 26-1/2" long)	1
47	214- 258	CLAMP - hose	2
48	D 24162	STEM - hose, at reservoir (90")	1



HYDRAULIC OIL FILTER

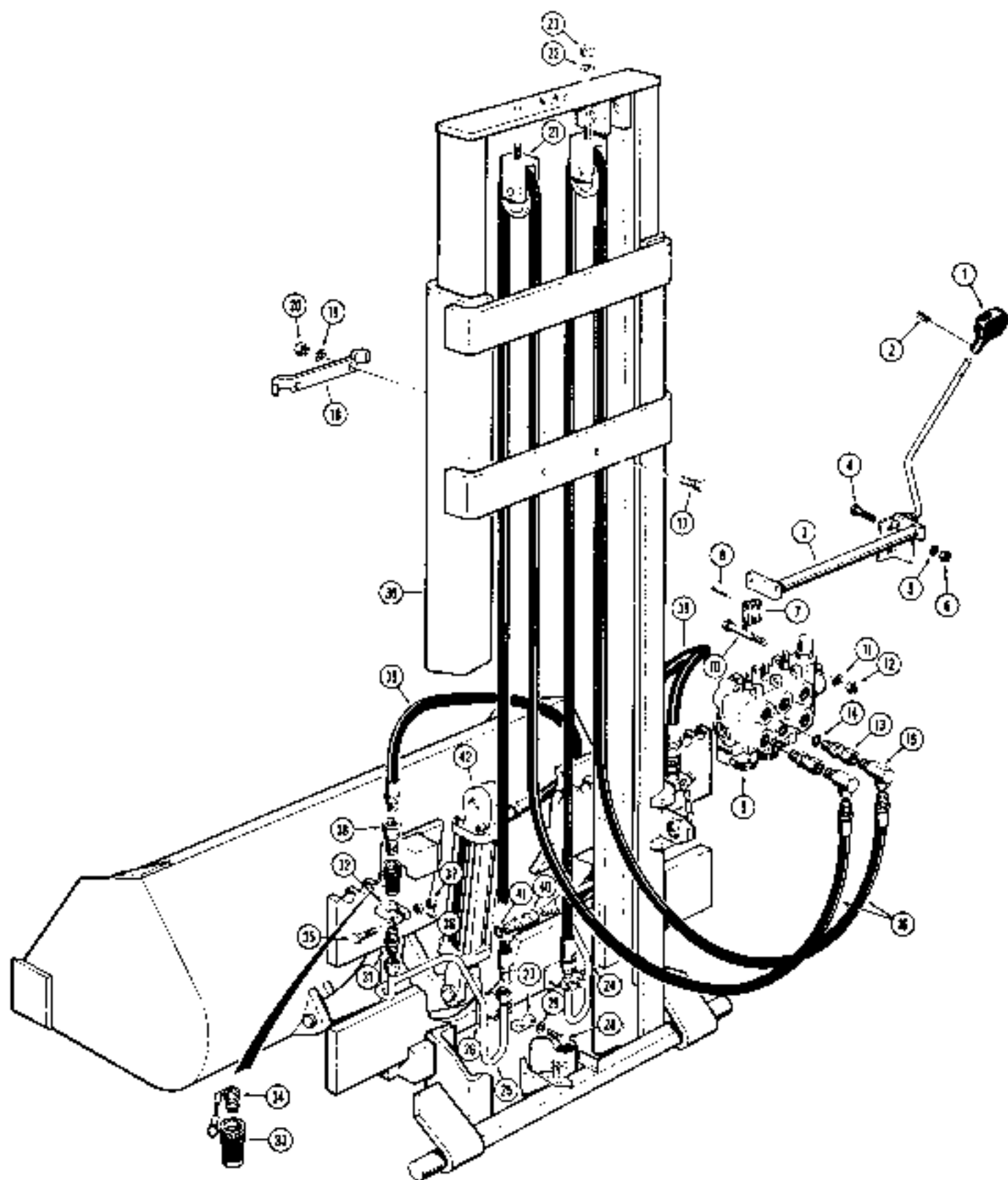
REF.	PART NO	DESCRIPTION	REQ'D
D32254 HYDRAULIC FILTER			
1	D 32254	FILTER - hydraulic oil (Early production) When stock is exhausted, use D43567	1
2	R 20645	HOUSING - filter	1
	D 32212	ELEMENT KIT - filter	1
3	A 27994	SEAL - "O"ring	1
4	NSS	ELEMENT - filter	1
5	A 27577	SEAL - "O"ring	1
6	D 31874	HEAD - filter	1
6A	L 13760	VALVE - bypass	1
D43815 HYDRAULIC FILTER			
7	D 43815	FILTER - hydraulic oil, short housing and element (Late production) Element is 4-1/2" long (When stock is exhausted, use D43567)	1
8	D 42440	HEAD - filter (When stock is exhausted, order D61903 head)	1
8A	D 49377	VALVE - bypass (D42440 head only)	1
8	D 61903	HEAD - filter	1
	D 32212	ELEMENT KIT - filter	1
9	NSS	ELEMENT - filter	1
10	A 27994	SEAL - "O"ring	1
11	D 43798	HOUSING - filter	1
D43567 HYDRAULIC FILTER			
7	D 43567	FILTER - hydraulic oil, long housing and element (Service filter) Element is 7" long	1
8	D 42440	HEAD - filter (When stock is exhausted, order D61903 head only)	1
8A	D 49377	VALVE - bypass (D42440 head only)	1
8A	D 58199	VALVE - bypass (D61903 head only)	1
8	D 61903	HEAD - filter	1
8A	D 58199	VALVE - by-pass (D61903 head only)	1
	D 43800	ELEMENT KIT - filter	1
9	NSS	ELEMENT - filter	1
10	A 27994	SEAL - "O"ring	1
11	D 42439	HOUSING - filter	1

NOTE: "Early Production" and "Late Production" filters can be identified by the filter head and housing. See illustration for visual differences. "Service Filter" can be identified by its 7" long element.



MODEL 580 CONSTRUCTION KING FORK LIFT 75
LIFT AND TILT CYLINDER HYDRAULICS

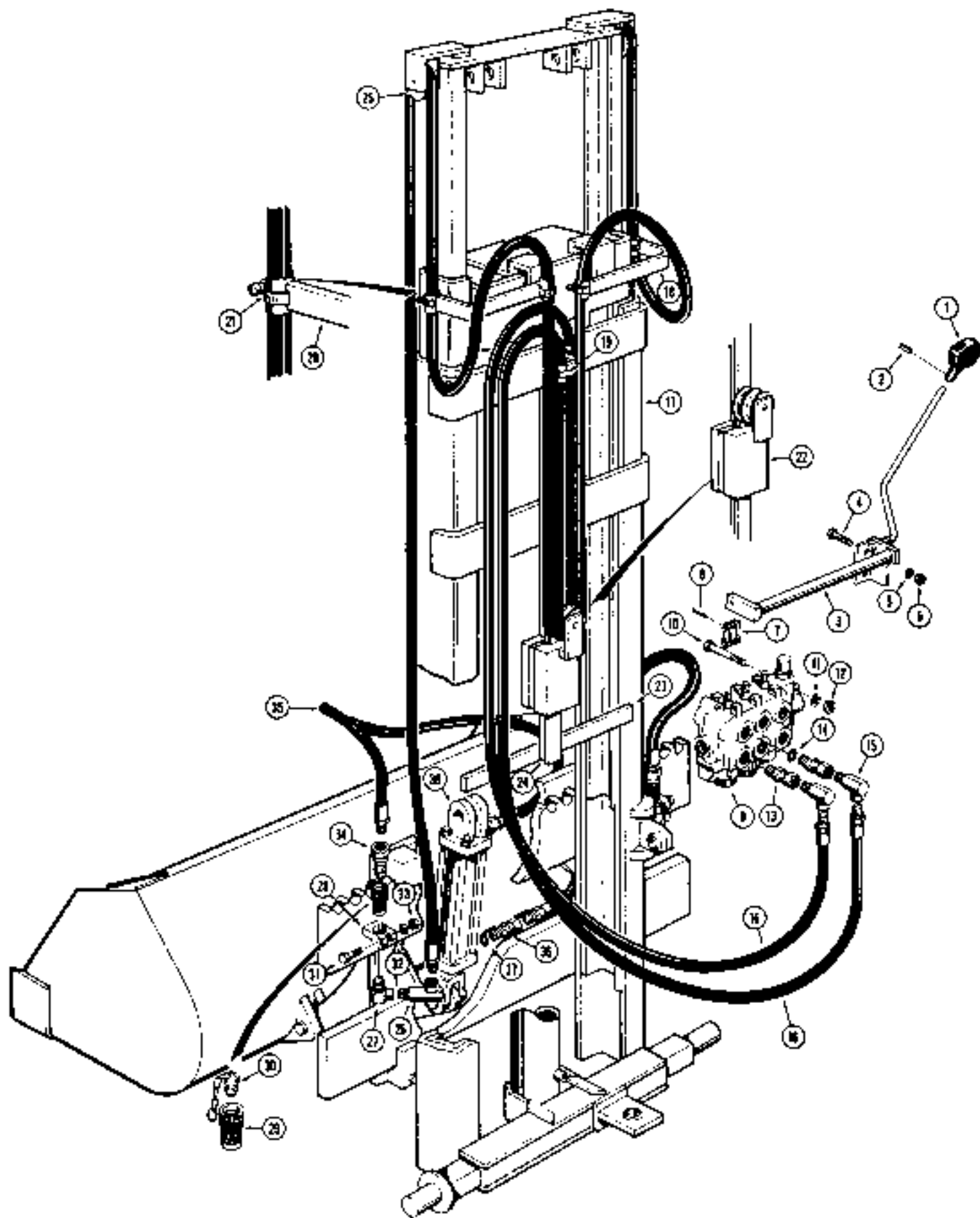
REF.	PART NO	DESCRIPTION	REQ'D.
LIFT CYLINDER HYDRAULICS			
1	REF.	VALVE - hydraulic, control (Parts list page 95)	1
2	13- 636	HECS - 3.8" - 16 NC x 2-1/4"	3
3	92- 6	WASHER - med sect lock (3.8")	3
4	25- 100	NUT - hex (3.8" - 16 NC)	9
5	218- 5201	ELBOW - 90°, swivel	1
6	218- 5007	SEAL - "O"ring	1
7	D 24169	HOSE - hydraulic, lower valve port to lift cylinder port (38" long)	1
8	D 39459	VALVE - flow control, adjustable type (When stock is exhausted, order 1 - D48874 elbow and 1 - D48875 valve for service)	1
	D 48875	VALVE - flow control, non-adjustable type	1
9	NSS	BODY - D48875 flow control valve	1
10	D 48876	SPACER - D48875 flow control valve	1
11	D 48877	SPRING - D48875 flow control valve	1
12	D 48878	WASHER - restrictor, D48875 flow control valve	1
13	D 39458	ELBOW - adjustable, 90° (Used with D39459 valve) Order D48874 elbow for service	1
14	218- 5007	SEAL - "O"ring	2
15	D 48874	ELBOW - adjustable, 90° (Special) Must be used with D48875 valve	1
16	218- 5007	SEAL - "O"ring	2
17	60969	CYLINDER - hydraulic, lift (14-1/4' 4000 and 5000 lb. lift capacity masts) 3-1/2" I.D. x 85-1/2" stroke (Parts list page 83)	1
	D 24173	CYLINDER - hydraulic, lift (10-1/2' 4000 lb. lift capacity mast) 3-1/2" I.D. x 63" stroke (Parts list page 81)	1
	D 36571	CYLINDER - hydraulic, lift (12' 5000 lb. lift capacity mast) 3-1/2" I.D. x 72" stroke (Parts list page 81)	1
	D 40847	CYLINDER - hydraulic, lift (21-1/2' 4000 lb. lift capacity mast) 4" I.D. x 85-3/16" stroke (Parts list page 83)	1
TILT CYLINDER HYDRAULICS			
18	D 39462	ELBOW - 90°, swivel	2
19	218- 5007	SEAL - "O"ring	1
20	D 33748	HOSE - hydraulic, upper valve port to bottom port of tilt cylinder (18" long)	1
21	D 33747	TEE - swivel, female	1
22	D 40829	HOSE - hydraulic to bottom port of tilt cylinder (18" long)	2
23	218- 5387	ELBOW - 90°, swivel	2
24	218- 5006	SEAL - "O"ring	1
25	D 33749	HOSE - hydraulic, lower valve port to upper port of tilt cylinder (27" long)	1
26	D 39190	TEE - restrictor (Use with D39464, 3" dia. tilt cylinders on 21-1/2' mast only)	1
	D 39191	TEE - restrictor (Use with D39465, 3-1/2" dia. tilt cylinders on 10-1/2', 12' and 14-1/4' masts)	1
27	D 40830	HOSE - hydraulic, to upper port of tilt cylinder (20" long)	1
28	218- 5252	CONNECTOR - male, swivel	2
29	218- 5006	SEAL - "O"ring	1
30	D 39464	CYLINDER - hydraulic, tilt (3" I.D. x 6" stroke) Use with 21-1/2' mast only (Parts list page 85)	2
	D 39465	CYLINDER - hydraulic, tilt (3-1/2" I.D. x 10" stroke) Use with 10-1/2', 12' and 14-1/4' masts (Parts list page 87)	2



MODEL 580 CONSTRUCTION KING FORK LIFT 77

**LOADER BUCKET HYDRAULICS (10-1/2 FOOT,
12 FOOT AND 14-1/4 FOOT MASTS)**

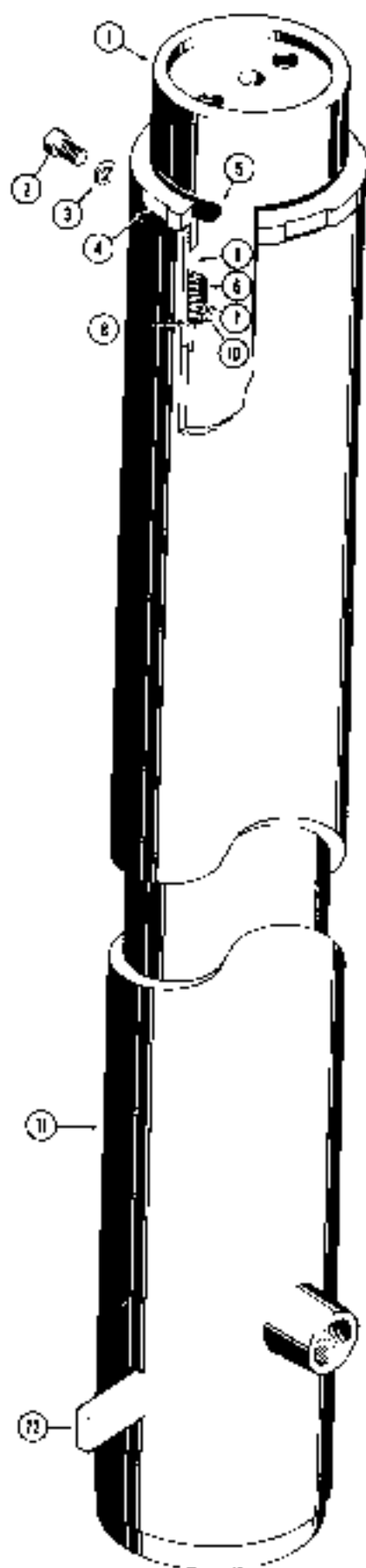
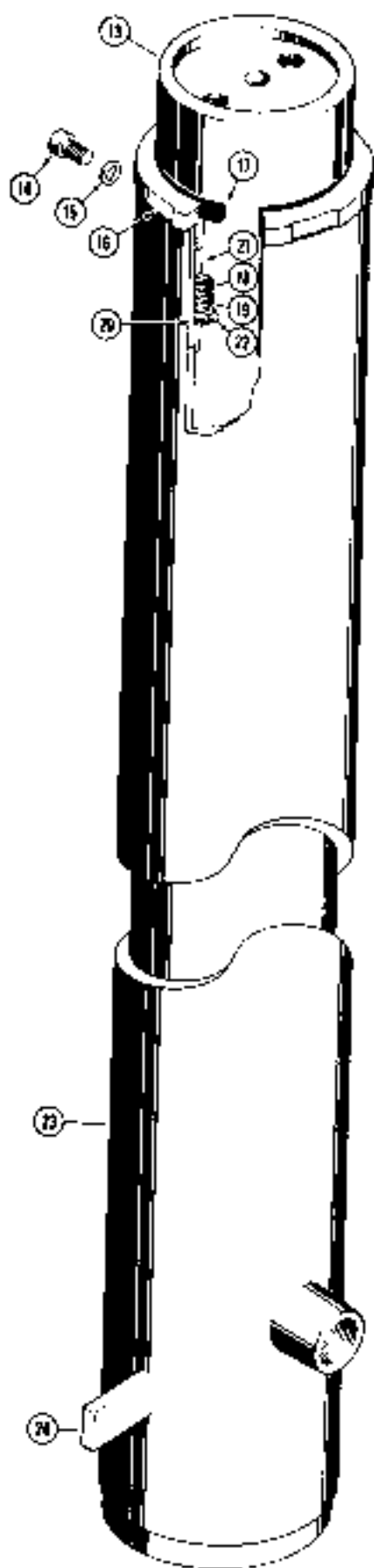
REF	PART NO.	DESCRIPTION	REQ'D
	D 24288	LEVER ASSEMBLY - loader bucket control	1
1	D 24184	KNOB - lever	1
2	138- 57	PIN - roll, 1/8" dia x 3/4"	1
3	NSN	LEVER - control	1
4	13- 632	HHCS - 3/8" - 16 NC x 2"	2
5	92- 5	WASHER - med sect. lock (3/8")	2
6	25- 106	NUT - hex (3/8" - 16 NC)	2
7	D 24140	LINK - connecting	1
8	132- 6	PIN - cotter, 1/16" dia, x 5/8"	2
9	REF.	VALVE - hydraulic, control (Parts list page 95).	1
10	13- 636	HHCS - 3/8" - 16 NC x 2-1/4"	3
11	92- 6	WASHER - med sect. lock (3/8")	3
12	25- 106	NUT - hex. (3/8" - 16 NC)	3
13	218- 5251	ADAPTER - straight, male (Swivel)	2
14	218- 5007	SEAL - "O"ring	1
15	218- 927	ADAPTER - 90°, swivel	2
16	D 24280	HOSE - hydraulic, control valve to tube (Use with 10-1/2' 4000 lb. lift capacity mast) 176" long	2
	D 24281	HOSE - hydraulic, control valve to tube (Use with 12' 5000 lb. lift capacity or 14-1/4' 4000 lb. lift capacity and 14-1/4' 5000 lb. lift capacity masts) 216" long	2
17	13- 524	HHCS - 5/16" - 18 NC x 1-1/2"	2
18	D 39478	CLAMP - hose	1
19	92- 5	WASHER - med sect. lock (5/16")	2
20	25- 105	NUT - hex. (5/16" - 18 NC)	2
21	D 24277	PULLY - hose guide	2
22	92- 6	WASHER - med sect. lock (3/8")	1
23	25- 106	NUT - hex (3/8" - 16 NC)	1
24	D 24283	TUBE - hydraulic, to quick disconnect, R H	1
25	D 24284	TUBE - hydraulic, to quick disconnect, L H	1
	D 24256	BRACKET ASSEMBLY - tubing	2
26	D 24278	BRACKET - tubing (Welded to lower backing plate)	2
27	D 24229	CLAMP - bracket, tubing	2
28	13- 416	HHCS - 1/4" - 20 NC x 1"	4
29	92- 4	WASHER - med sect. lock (1/4")	4
30	REF.	MAST ASSEMBLY - fork lift (See pages 9 thru 15 and 23 thru 25 for options)	1
31	D 24285	CONNECTOR - straight, special	2
32	D 24279	BRACKET - quick disconnect (Welded to upper backing plate)	2
33	D 24286	COUPLING - quick disconnect (Female half)	2
34	D 24287	CAP - dust, quick disconnect	2
35	13- 540	HHCS - 5/16" - 18 NC x 2-1/2"	2
36	92- 5	WASHER - med sect. lock (5/16")	2
37	25- 105	NUT - hex. (5/16" - 18 NC)	2
38	D 24262	COUPLING - quick disconnect (Male half)	2
39	D 24259	HOSE - hydraulic, coupling to cylinder (30" long)	2
40	D 39471	CONNECTOR - straight, male (Swivel)	2
41	218- 5006	SEAL - "O"ring	1
42	D 39464	CYLINDER - hydraulic, loader bucket (3" I.D. x 6" stroke) Parts list page 85	1



MODEL 580 CONSTRUCTION KING FORK LIFT 79

**LOADER BUCKET HYDRAULICS
(21- 1/2 FOOT MAST)**

REF	PART NO	DESCRIPTION	REQ'D
	D 24288	LEVER ASSEMBLY - loader bucket control	1
1	D 24184	KNOB - lever	1
2	138- 57	PIN - roll, 1.8" dia x 3.4"	1
3	NSS	LEVER - control	1
4	13- 632	HHCS - 3.8" - 16 NC x 2"	2
5	92- 6	WASHER - med sect lock (3/8")	2
6	25- 106	NUT - hex (3.8" - 16 NC)	2
7	D 24140	LINK - connecting	1
8	132- 6	PIN - cotter, 1.16" dia x 5/8"	2
9	REF.	VALVE - hydraulic, control (Parts list page 95)	1
10	13- 636	HHCS - 3.8" - 16 NC x 2-1/4"	3
11	92- 6	WASHER - med sect lock (3/8")	3
12	25- 106	NUT - hex (3.8" - 16 NC)	3
13	218- 5251	ADAPTER - straight, male (Swivel)	2
14	218- 5007	SEAL - "O" ring	1
15	218- 927	ADAPTER - 90°, swivel	2
16	D 24300	HOSE - hydraulic, control valve to quick disconnect (332" long)	2
17	D 40700	MAST ASSEMBLY - 21-1/2', 4000 lb lift capacity (See parts list page 17 for component parts)	1
18	D 24297	BRACKET - hose, R.H.	1
19	D 24296	BRACKET - hose, center	1
20	D 24296	BRACKET - hose, L.H.	1
21	214- 253	CLAMP - hose	6
22	D 24202	COUNTERWEIGHT - hydraulic base	1
23	D 24209	SUPPORT - counterweight guide	1
24	D 24283	GUIDE - counterweight	1
25	D 24204	PULLEY - hose guide	2
26	217- 22	ELBOW - 90°, swivel	2
27	218- 926	ELBOW - street, 90°	2
28	D 24279	BRACKET - quick disconnect (Welded to upper backing plate)	2
29	D 24286	COUPLING - quick disconnect (female half)	2
30	D 24287	CAP - dust, quick disconnect	2
31	13- 540	HHCS - 5.16" - 16 NC x 2-1/2"	2
32	92- 5	WASHER - med sect lock (5/16")	2
33	25- 105	NUT - hex (5.16" - 16 NC)	2
34	D 24262	COUPLING - quick disconnect (Male half)	2
35	D 24259	HOSE - hydraulic, quick disconnect to loader bucket cylinder (30' long)	2
36	D 39471	CONNECTOR - straight, male (Swivel)	2
37	218- 5006	SEAL - "O" ring	1
38	D 39464	CYLINDER - hydraulic, loader bucket (3" I.D. x 6" stroke) Parts list page 85	1



MODEL 580 CONSTRUCTION KING FORK LIFT 51
D24173 AND D36571 LIFT CYLINDERS

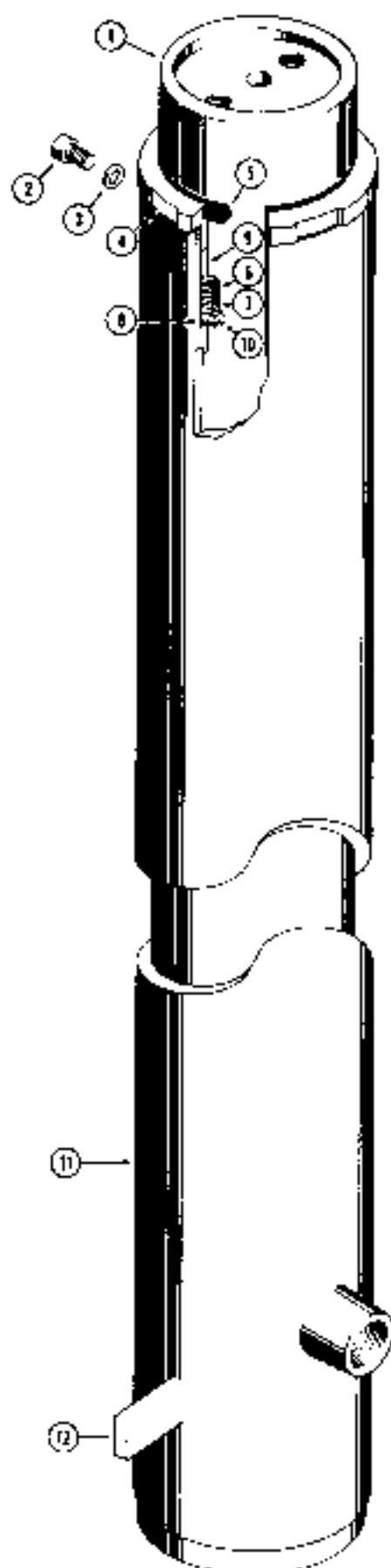
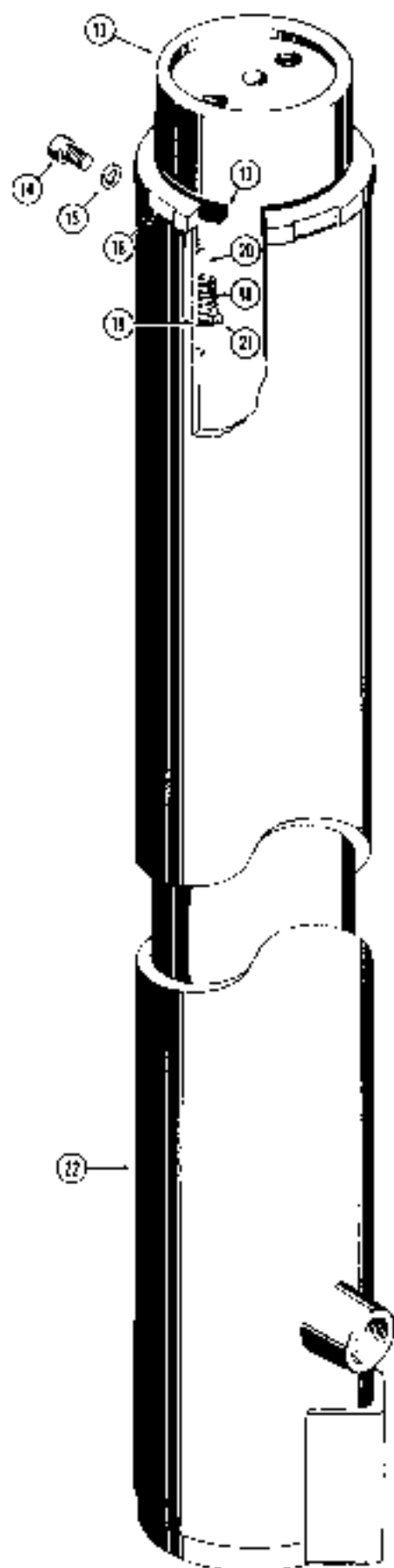
REF. PART NO. DESCRIPTION REQ'D.

D24173 LIFT CYLINDER

D	24173	CYLINDER - hydraulic, lift (3-1/2" I.D. x 63" stroke) 10-1/2' 4000 lb. lift capacity	1
1	NSS	PISTON - tube assembly	1
2	178- 426	SCREW - bleeder, hex socket head (1/4" - 20 NC x 3/8")	1
3	D 24252	WASHER - bleeder screw, special	1
4	60955	NUT - cylinder packing	1
D	28327	KIT - packing	1
5	NSS	RING - wiper	1
6	NSS	PACKING - chevron, fabric	3
7	NSS	PACKING - chevron, leather	2
8	NSS	RING - wire, spring	1
9	D 28337	SLEEVE - packing, upper	1
10	60954	RING - packing, lower	1
11	NSS	TUBE - cylinder	1
12	D 26094	RETAINER - lift cylinder	1

D36571 LIFT CYLINDER

D	36571	CYLINDER - hydraulic, lift (3-1/2" I.D. x 72" stroke) 12' 5000 lb. lift capacity	1
13	NSS	PISTON - tube assembly	1
14	178- 426	SCREW - bleeder, hex socket head (1/4" - 20 NC x 3/8")	1
15	D 24252	WASHER - bleeder screw, special	1
16	60955	NUT - cylinder packing	1
D	28327	KIT - packing	1
17	NSS	RING - wiper	1
18	NSS	PACKING - chevron, fabric	3
19	NSS	PACKING - chevron, leather	2
20	NSS	RING - wiper, spring	1
21	D 28337	SLEEVE - packing, upper	1
22	60954	RING - packing, lower	1
23	NSS	TUBE - cylinder	1
24	D 26094	RETAINER - lift cylinder	1

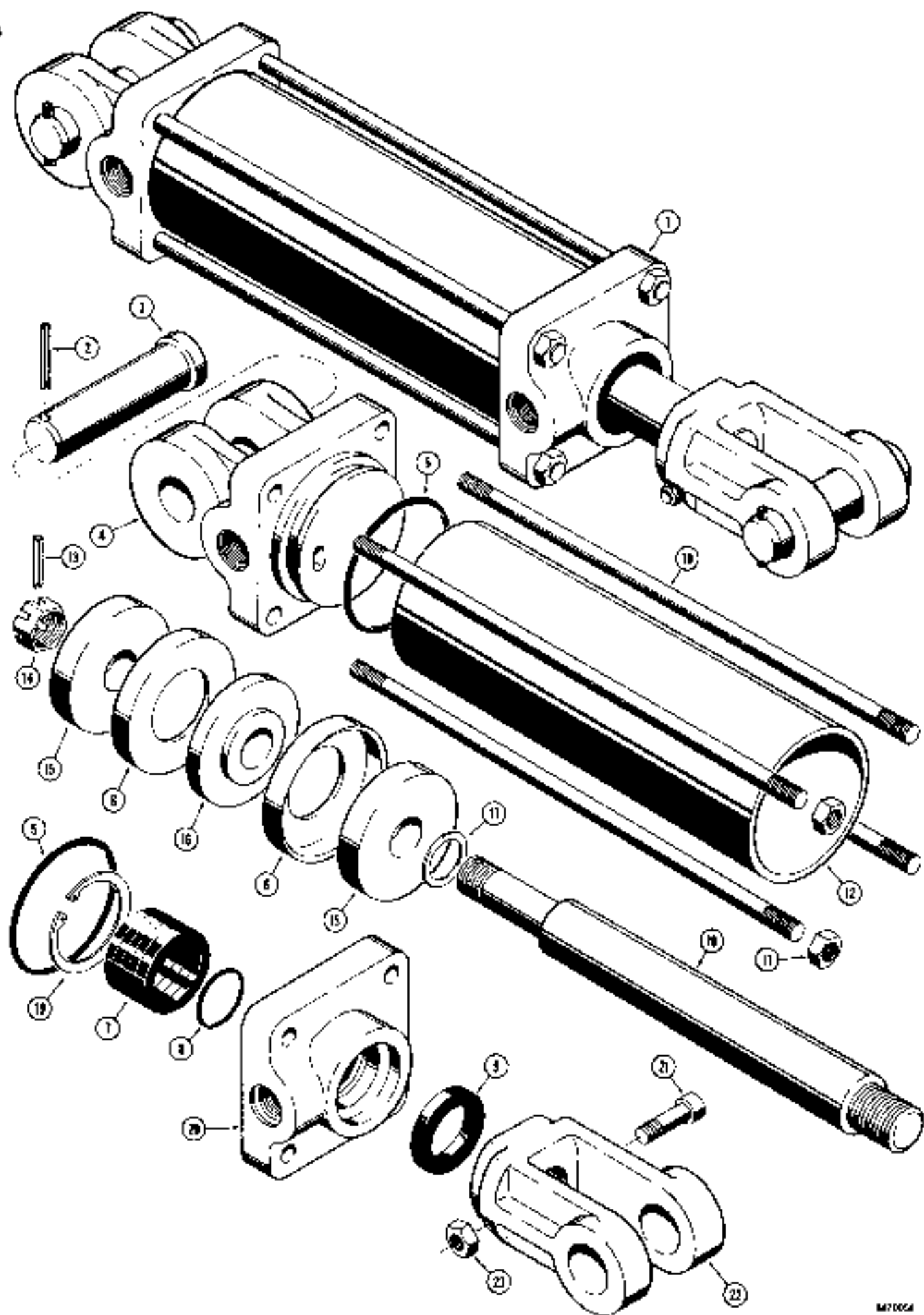


MODEL 580 CONSTRUCTION KING FORK LIFT 83
60969 AND D40847 LIFT CYLINDERS

REF.	PART NO	DESCRIPTION	REQ'D.
60969 LIFT CYLINDER			
	60969	CYLINDER - hydraulic, lift (3-1/2" I.D. x 85-1/2" stroke) 14-1/4" 4000 and 5000 lb lift capacity	1
1	NSS	PISTON - tube assembly	1
2	178- 426	SCREW - bleeder, hex socket head (1/4" - 20 NC x 3/8")	1
3	D 24252	WASHER - bleeder screw, special	1
4	60955	NUT - cylinder packing	1
	D 28327	KIT - packing	1
5	NSS	RING - wiper	1
6	NSS	PACKING - chevron, fabric	3
7	NSS	PACKING - chevron, leather	2
8	NSS	RING - wire, spring	1
9	D 28337	SLEEVE - packing, upper	1
10	60954	RING - packing, lower	1
11	NSS	TUBE - cylinder	1
12	D 26094	RETAINER - lift cylinder	1

D40847 LIFT CYLINDER

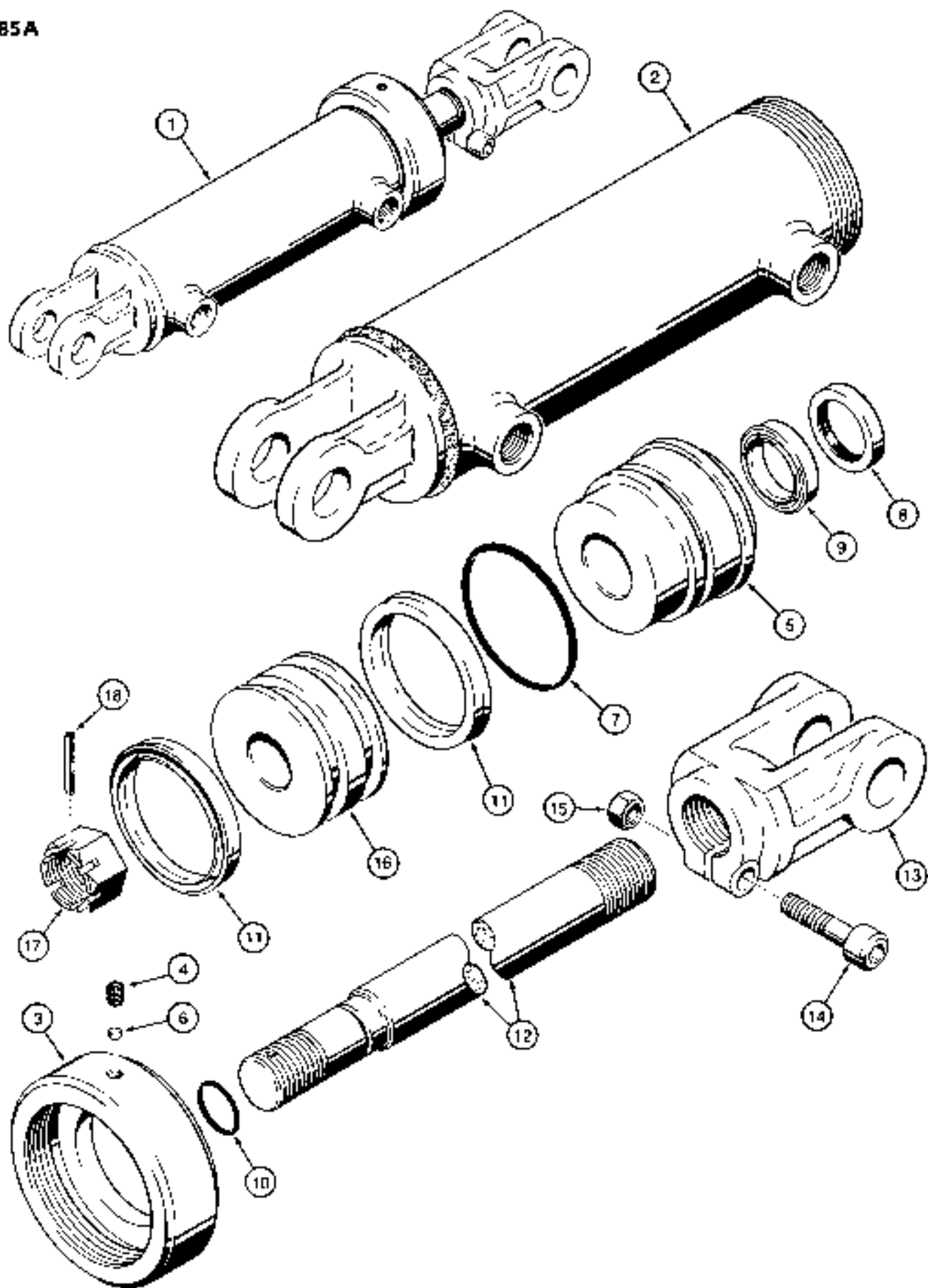
	D 40847	CYLINDER - hydraulic, lift (4" I.D. x 85-3/16" stroke) 21-1/2" 4000 lb lift capacity	1
13	NSS	PISTON - tube assembly	1
14	178- 426	SCREW - bleeder, hex socket head (1/4" - 20 NC x 3/8")	1
15	D 24252	WASHER - bleeder screw, special	1
16	D 41189	NUT - cylinder packing	1
	D 41186	KIT - packing	1
17	NSS	RING - wiper	1
18	NSS	PACKING - chevron	5
19	NSS	RING - wire, spring	1
20	D 41190	SLEEVE - packing, upper	1
21	D 41191	SLEEVE - packing, lower	1
22	NSS	CYLINDER - tube assembly	1



**D39464 SIDESHIFT, LOADER BUCKET
AND TILT CYLINDER**

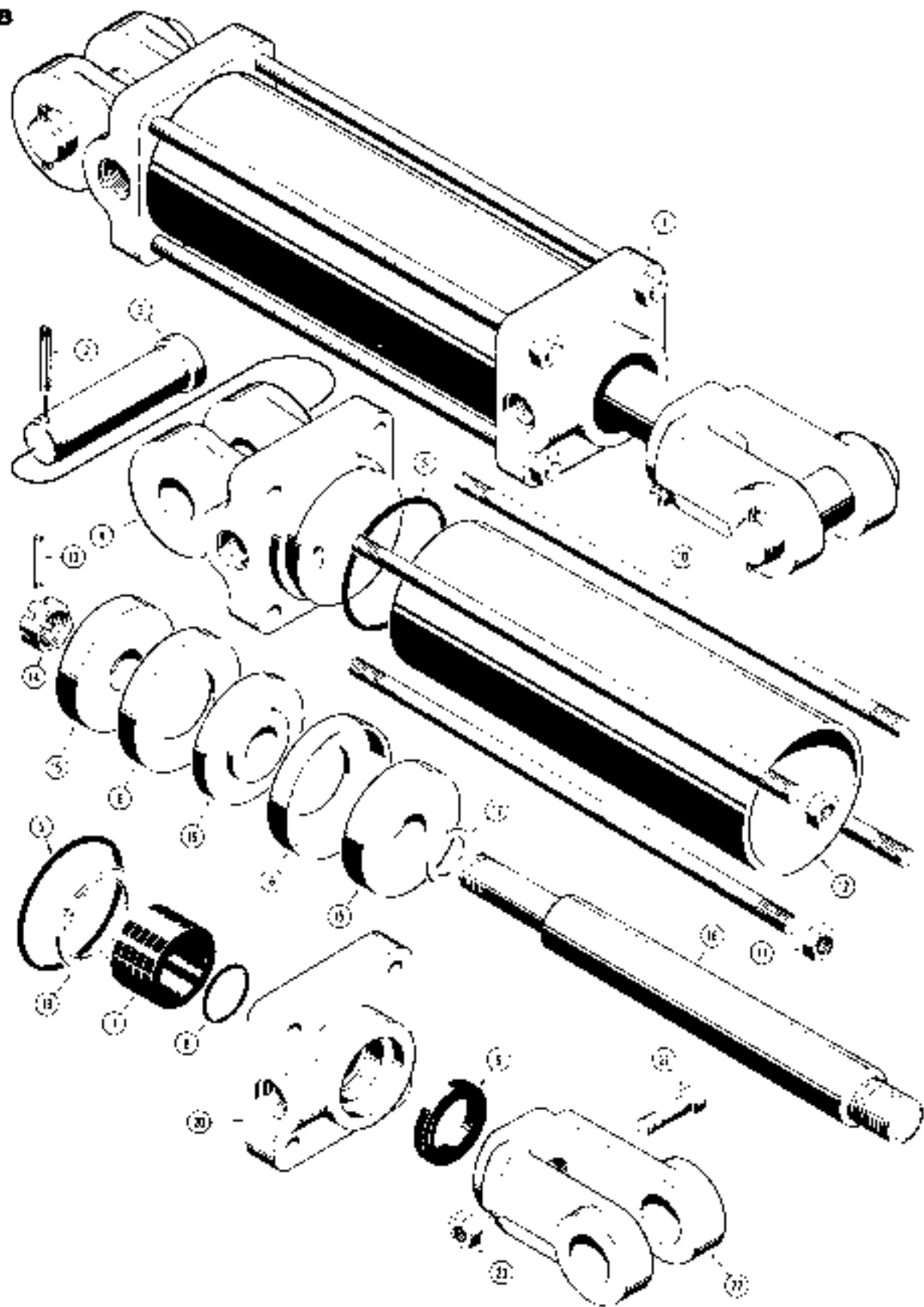
REF	PART NO	DESCRIPTION	REQ'D
1	D 39464	CYLINDER - hydraulic, tilt, sideshift or loader bucket, 3" (76 mm) ID x 6" (152 mm) stroke, used on 21-1/2' 4000 lb. lift capacity forklift as tilt cylinder, used on 5000 lb. lift capacity mast as side shifter or 4000 lb. and 5000 lb. lift capacity masts as loader bucket cylinder	1-2
2	138- 142	ROLL PIN - 1/4" x 2"	2
3	D 36819	PIN - cylinder mounting	2
4	D 39467	CAP - cylinder, closed end	1
	D 24093	KIT - cylinder packing	1
5	NSS	O-RING - end cap	2
6	NSS	CUP - piston	2
7	NSS	PACKING - piston, set of 5	1
8	NSS	O-RING - piston rod	1
9	NSS	WIPER - piston rod	1
10	D 24098	TIE ROD - cylinder	4
11	25- 107	NUT - hex, 7/16" - 14 NC	8
12	D 24085	TUBE - cylinder	1
13	138- 79	ROLL PIN - 5/32" x 1-1/4"	1
14	25- 2312	CASTLE NUT - hex, 3/4" - 16 NF	1
15	D 24089	SPACER - cup	2
16	D 24088	PISTON - cylinder	1
17	D 24091	GASKET - piston	1
18	D 24090	ROD - piston	1
19	D 24092	SNAP RING - retaining, packing	1
20	D 39466	CAP - cylinder, rod end	1
21	61- 628	SCREW - hex socket head, 3/8" - 16 NC x 1-3/4"	1
22	D 24097	CLEVIS - piston rod	1
23	25- 106	NUT - hex, 3/8" - 16 NC	1

85A



N7631 SIDESHIFT, LOADER BUCKET AND TILT CYLINDER

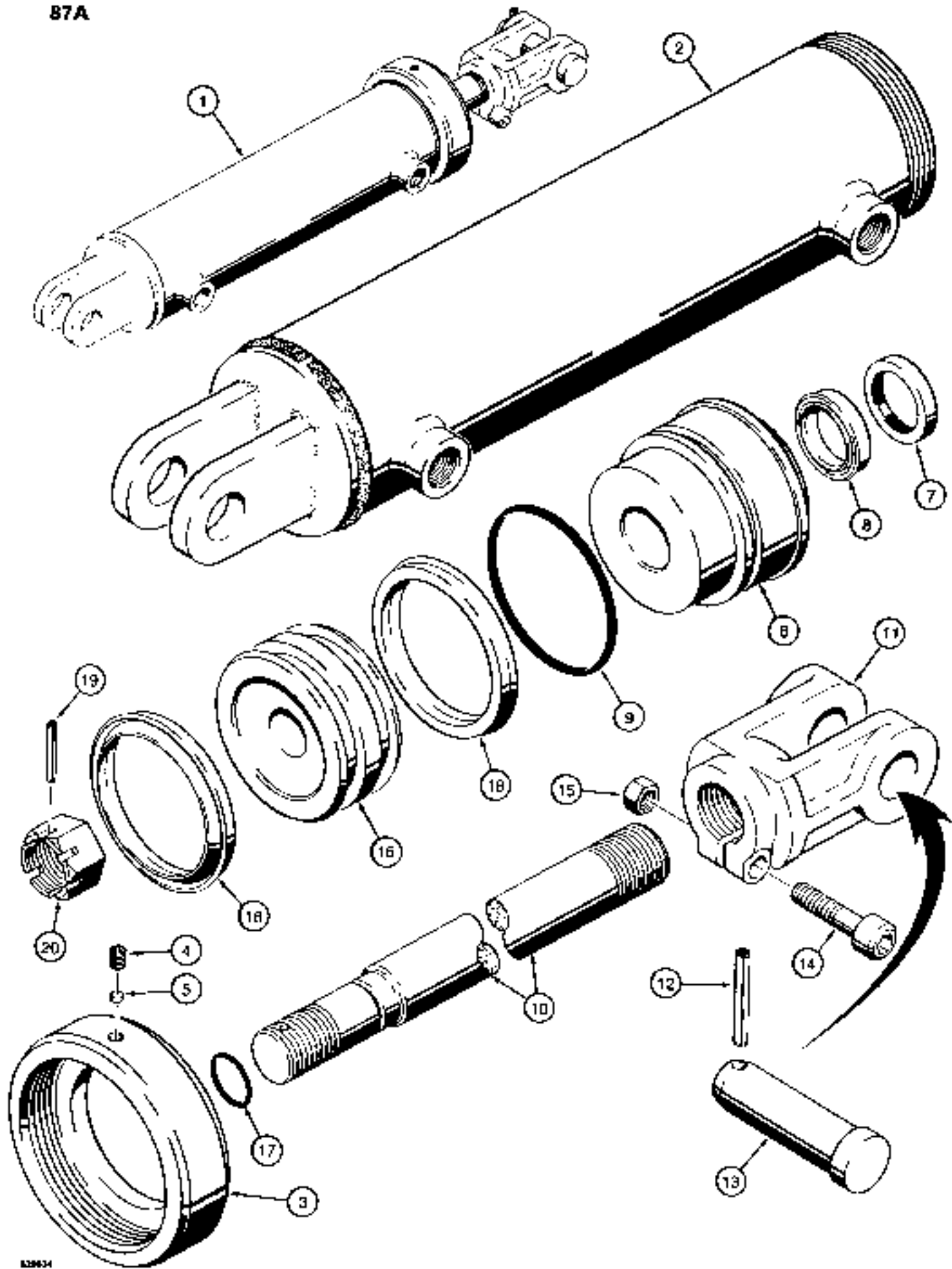
REF	PART NO	DESCRIPTION	REQ'D
1	N 7631	CYLINDER ASSEMBLY - hydraulic, tilt, sideshift or loader bucket, 3" (76 mm) ID x 6" (152 mm) stroke, used on 21-1/2' 4000 lb. lift capacity forklift as tilt cylinder, used on 5000 lb. lift capacity mast as side shifter or 4000 lb and 5000 lb lift capacity masts as loader bucket cylinder	1-2
2	N 7632	TUBE - cylinder	1
3	T 55472	CAP - gland	1
4	178- 424	SET SCREW - hex socket, 1/4" - 20 NC x 1/4"	1
5	N 7634	GLAND - cylinder	1
	N 7637	KIT - seal	1
6	T 55068	PLUG - nylon	1
7	D 38755	O-RING - end cap, gland	1
8	B 17291	WIPER - piston rod	1
9	N 7639	U-CUP - gland	1
10	D 32114	O-RING - piston	1
11	N 7638	U-CUP - piston	2
12	N 7635	ROD - piston, 1-1/4" (32 mm) OD	1
13	D 61015	CLEVIS - piston rod	1
14	61- 628	SCREW - hex socket head, 3/8" - 16 NC x 1-3/4"	1
15	131- 52	NUT - hex, self-locking, 3/8" - 16 NC	1
16	N 7633	PISTON - double groove, cylinder	1
17	25- 2316	CASTLE NUT - hex, 1" - 14 NF	1
18	138- 2022	SPIROL PIN - 5/32" x 1-1/4"	1



D39465 TILT CYLINDER

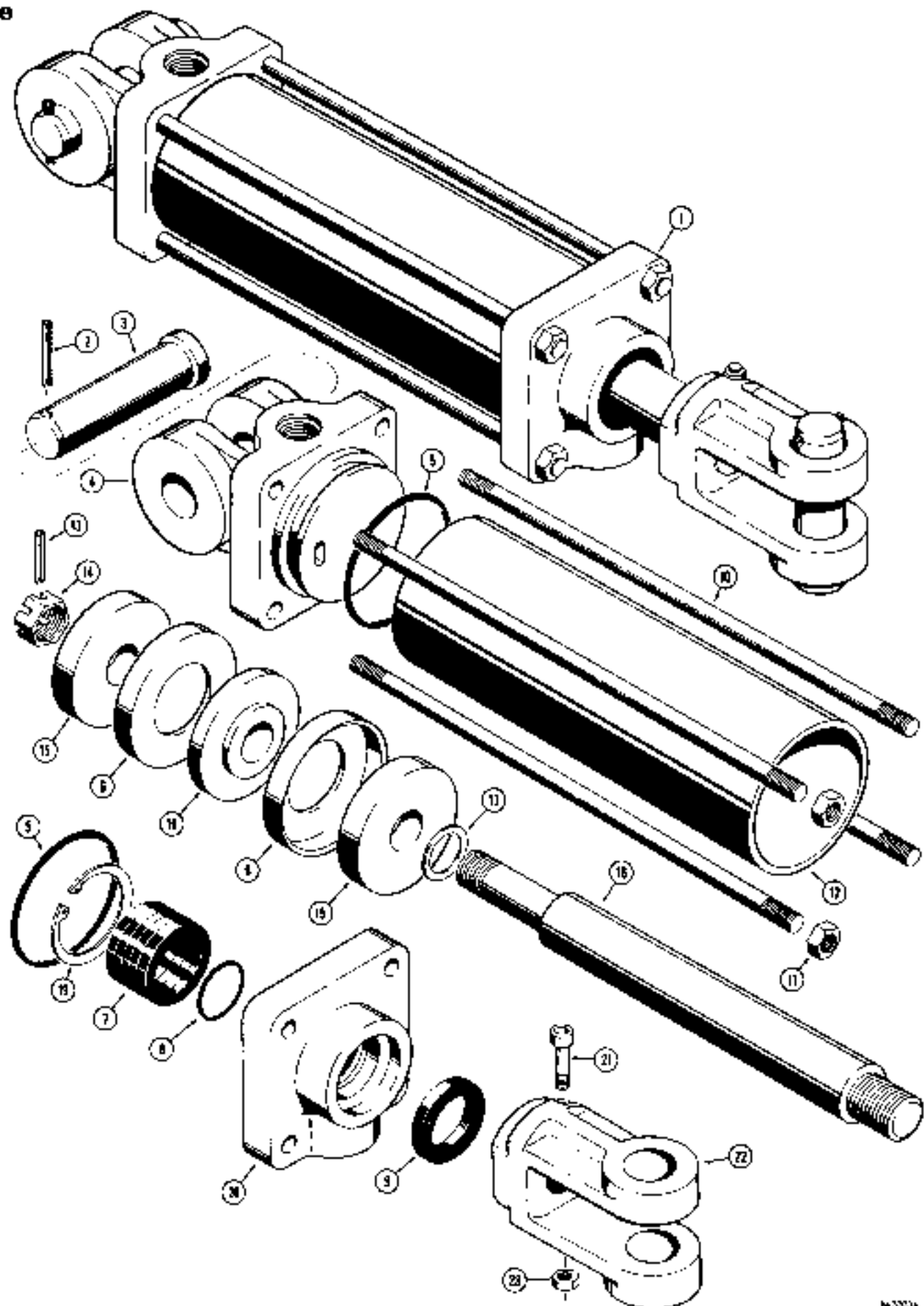
REF	PART NO	DESCRIPTION	REQ'D
1	D 39465	CYLINDER - hydraulic, tilt, 3-1/2" (89 mm) ID x 10" (254 mm) stroke, use with all masts except 21-1/2' 4000 lb lift capacity	2
2	138- 142	ROLL PIN - 1/4" x 2"	2
3	D 36819	PIN - cylinder mounting	2
4	D 39469	CAP - cylinder, closed end	1
	D 24127	KIT - cylinder packing	1
5	NSS	O-RING - end cap	2
6	NSS	CUP - piston	2
7	NSS	PACKING - piston, set of 5	1
8	NSS	O-RING - piston rod	1
9	NSS	WIPER - piston rod	1
10	O 24138	TIE ROD - cylinder	4
11	25- 108	NUT - hex, 1/2" - 13 NC	8
12	D 24130	TUBE - cylinder	1
13	138- 79	ROLL PIN - 5/32" x 1-1/4"	1
14	25- 2316	CASTLE NUT - hex, 1" - 14 NF	1
15	D 24133	SPACER - cup	2
16	D 24132	PISTON - cylinder	1
17	O 24135	GASKET - piston	1
18	O 28360	ROD - piston	1
19	D 24092	SNAP RING - retaining, packing	1
20	D 39468	CAP - cylinder, rod end	1
21	61- 628	SCREW - hex socket head, 3/8" - 16 NC x 1-3/4"	1
22	D 24097	CLEVIS - piston rod	1
23	25- 106	NUT - hex, 3/8" - 18 NC	1

87A



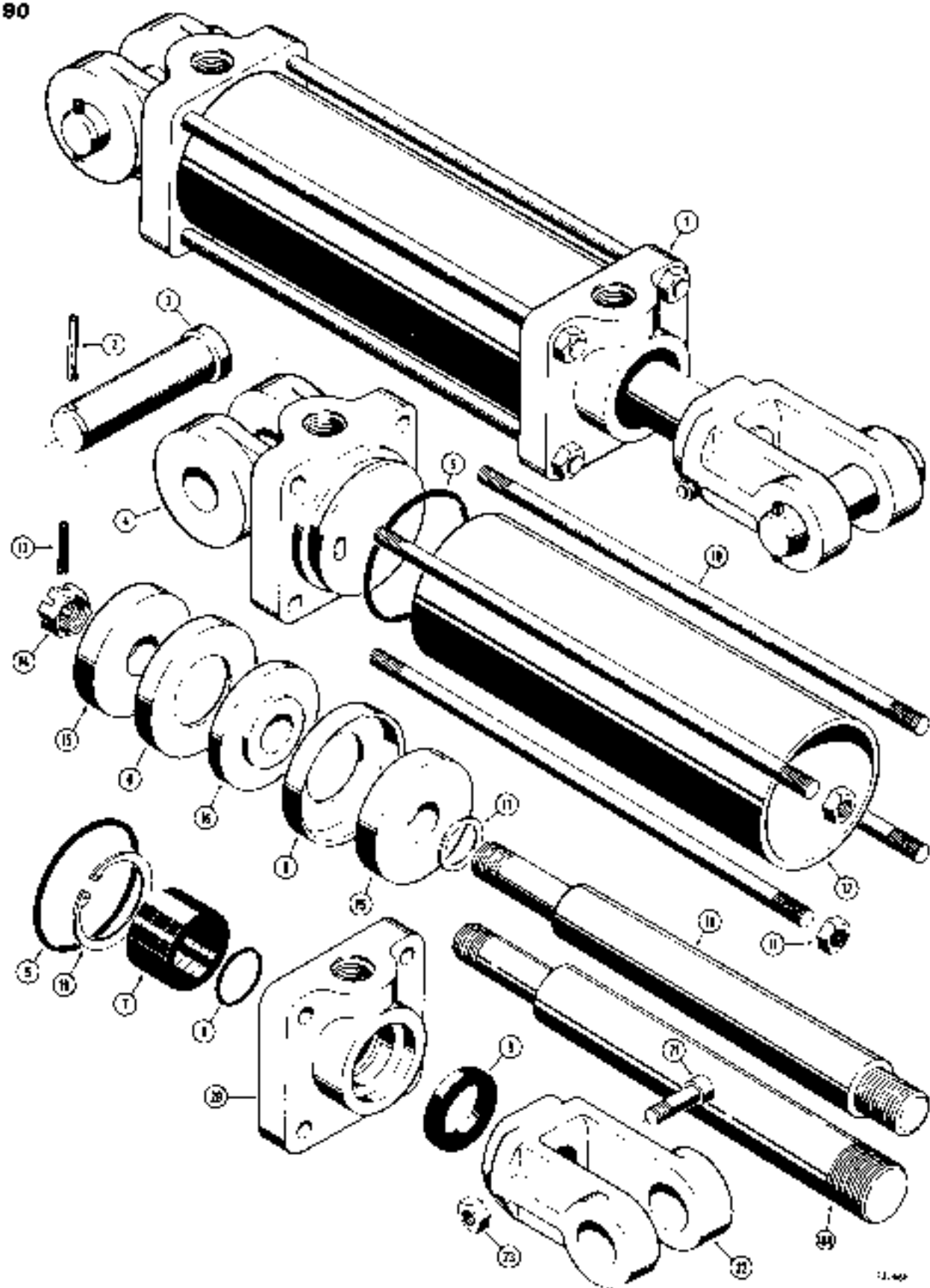
N7943 TILT CYLINDER

REF	PART NO	DESCRIPTION	REQ'D
1	N 7943	CYLINDER ASSEMBLY - hydraulic, tilt, 3-1/2" (89 mm) ID x 10" (254 mm) stroke, used with all masts, except 21-1/2' 4000 lb lift capacity	2
2	N 7945	TUBE - cylinder	1
3	N 7950	CAP - head threaded 4-3/4" (121 mm) OD	1
4	178- 424	SET SCREW - hex socket, 1/4" - 20 NC x 1/4"	1
5	T 55068	PLUG - nylon	1
6	N 7947	GLAND - cylinder	1
7	B 17291	WIPER - piston rod	1
8	N 7948	U-CUP SEAL - piston rod	1
9	T 32305	O-RING - gland	1
10	N 7946	ROD - piston, 1-1/4" (32 mm) CD	1
11	D 61015	CLEVIS - adjustable, piston rod	1
12	138- 142	SPIROL PIN - 1/4" x 2"	2
13	D 36819	FIN - tilt cylinder	2
14	61- 628	SCREW - hex socket head, 3/8" - 16 NC x 1-3/4"	1
15	25- 106	NUT - hex, 3/8" - 16 NC	1
16	N 7944	PISTON - double groove	1
17	R 15366	O-RING - p ston rod	1
18	N 7951	U-CUP SEAL - p ston	2
19	138- 2022	SPIROL PIN - 5/32" x 1-1/4"	1
20	25- 2316	CASTLE NUT - hex, 1" - 14 NF	1



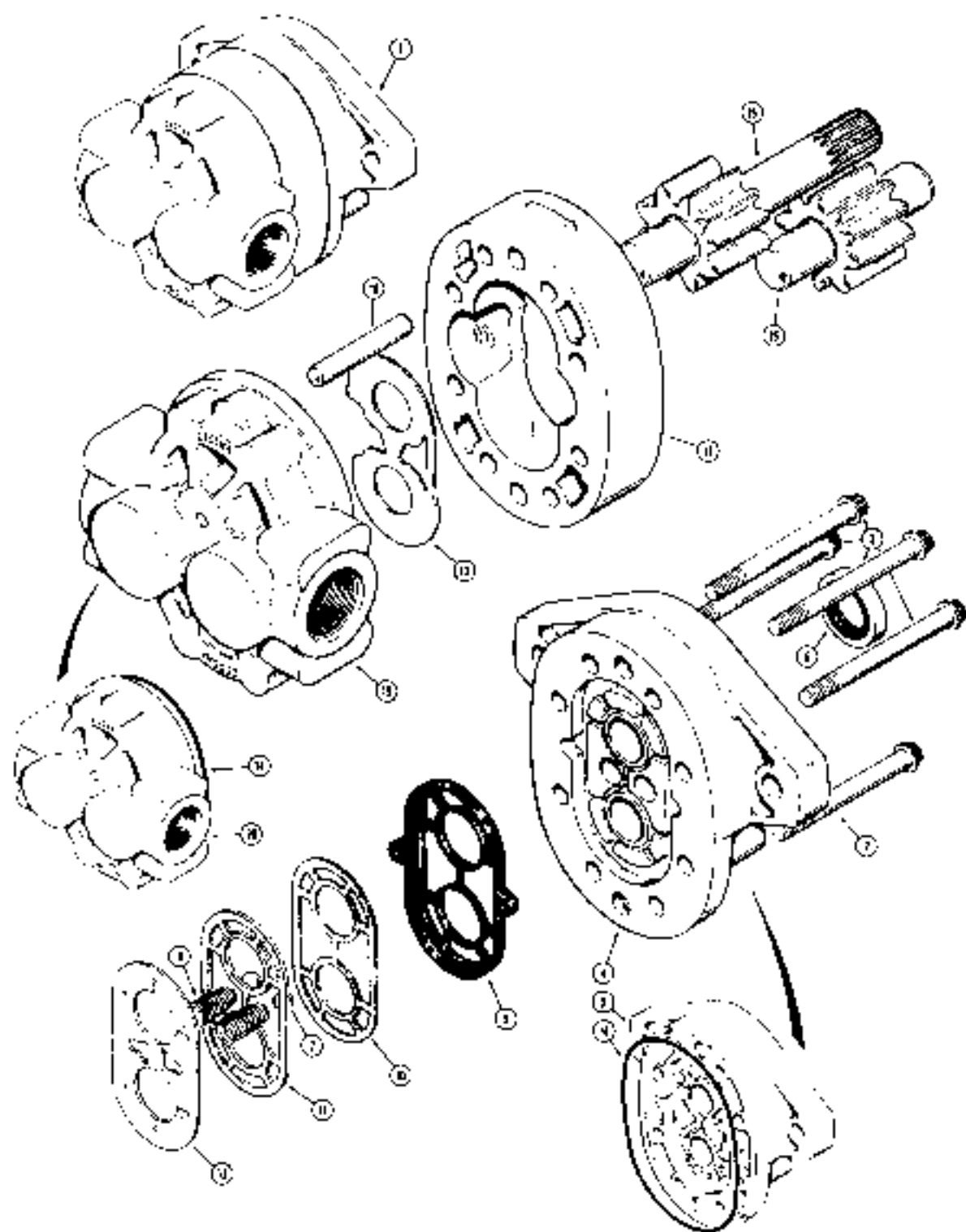
MODEL 580 CONSTRUCTION KING FORK LIFT 89
D41424 SIDE SHIFT CYLINDER

REF.	PART NO.	DESCRIPTION	REQ'D.
1	D 41424	CYLINDER - hydraulic, side shift (4000 lb. lift capacity mast)	
		3" I.D. x 6" stroke	1
2	138- 142	PIN - roll, 1/4" dia x 2"	2
3	D 36819	PIN - cylinder mounting	2
4	D 41500	CAP - cylinder, closed end	1
	D 24093	KIT - cylinder packing	1
5	NSS	SEAL - "O"ring, end cap	2
6	NSS	CUP - piston	2
7	NSS	PACKING - piston (Set of 5)	1
8	NSS	SEAL - "O"ring, piston rod	1
9	NSS	SEAL - rod wiper	1
10	D 24098	ROD - tie	4
11	25- 107	NUT - hex. (7/16" - 14 NC)	4-8
12	D 24085	TUBE - cylinder	1
13	138- 79	PIN - roll, 5/32" dia. x 1-1/4"	1
14	25- 2312	NUT - hex., castle (3/4" - 18 MF)	1
15	D 24089	SPACER - cup	2
16	D 24088	PISTON - cylinder	1
17	D 24081	GASKET - piston	1
18	D 24090	ROD - piston	1
19	D 24092	RING - retaining, packing	1
20	D 39465	CAP - cylinder, rod end	1
21	61- 628	SCREW - hex. socket head, 3/8" - 16 NC x 1-3/4"	1
22	D 24097	YOKE - piston rod	1
23	25- 106	NUT - hex. (3/8" - 16 NC)	1



D41512 LOG CLAMP CYLINDER

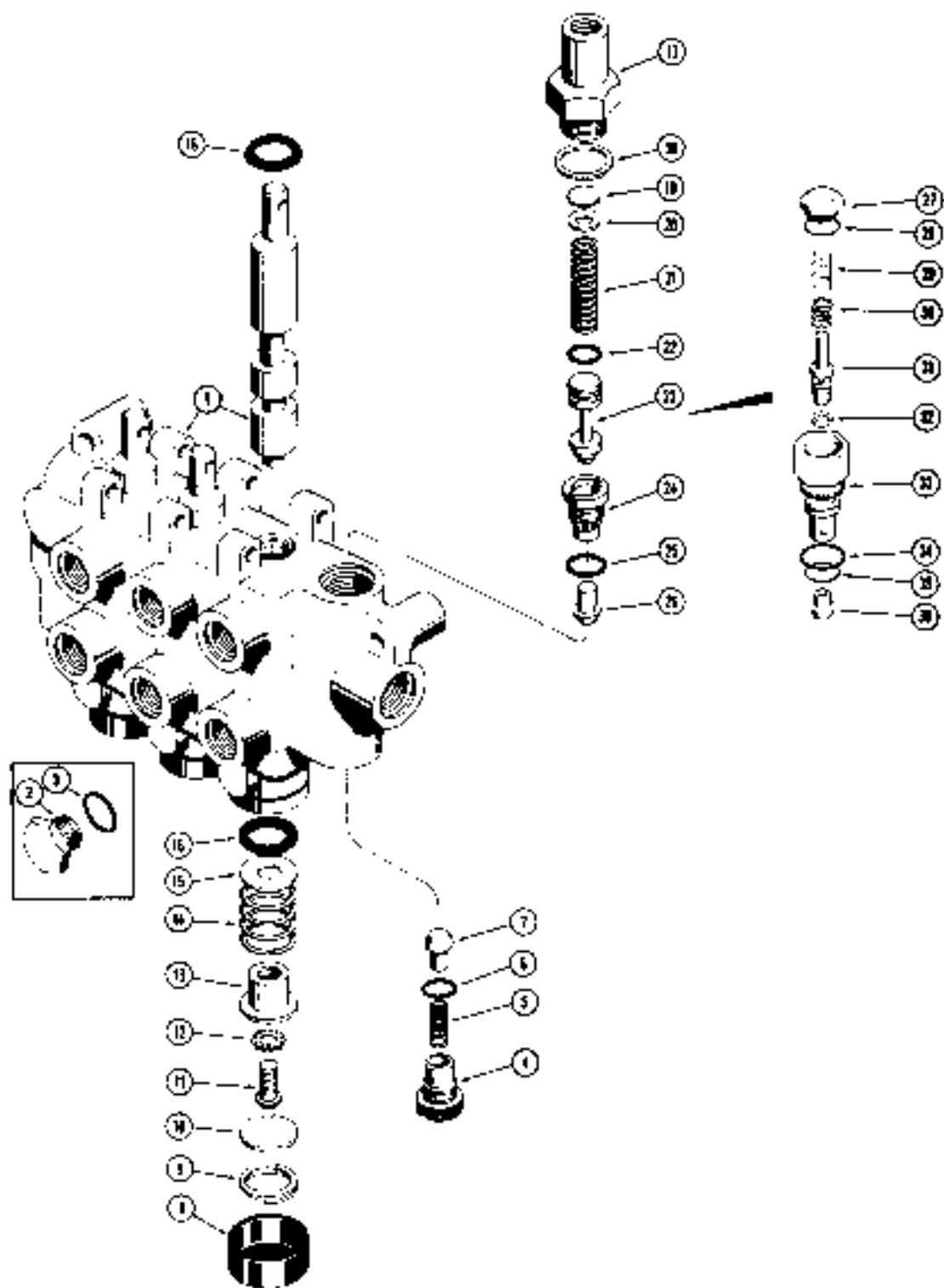
REF.	PART NO.	DESCRIPTION	REQ'D.
1	D 41512	CYLINDER - hydraulic, log clamp (3" x 10" stroke)	2
2	138- 2039	PIN - roll, 1/4" dia. x 2"	2
3	D 36819	PIN - cylinder mounting	2
4	D 41500	CAP - cylinder, closed end	1
	D 24093	KIT - cylinder packing	1
5	NSS	SEAL - "O" ring, end cap	2
6	NSS	CUP - piston	2
7	NSS	PACKING - piston (Set of 5)	1
8	NSS	SEAL - "O" ring, piston rod	1
9	NSS	SEAL - rod wiper	1
10	D 41523	ROD - tie	4
11	25- 107	NUT - hex. (7/16" - 14 NC)	8
12	D 41524	TUBE - cylinder	1
13	138- 79	PIN - roll, 5/32" dia. x 1-1/4"	1
14	25- 2312	NUT - hex., castle (3/4" - 16 NF)	1
15	D 24089	SPACER - cup	2
16	D 24088	PISTON - cylinder	1
17	D 24091	GASKET - piston	1
18	D 41521	ROD - piston (When stock is exhausted, order D61016 rod and D61015 yoke for service)	1
18A	D 61016	ROD - piston	1
19	D 24092	RING - retaining	1
20	D 39468	CAP - cylinder, rod end	1
21	61- 628	SCREW - hex. socket head, 3/8" - 16 NC x 1-3/4"	1
22	D 24097	YOKE - piston rod (Used with D41521 piston rod only)	1
22	D 61015	YOKE - piston rod (Used with D61016 piston rod only)	1
23	25- 106	NUT - hex. (3/8" - 16 NC)	1



MODEL 580 CONSTRUCTION KING FORK LIFT 58

D41390 HYDRAULIC PUMP

REF	PART NO.	DESCRIPTION	REQ'D.
1	D 41390	PUMP - hydraulic, 26 G.P.M. @ 2500 R.P.M. @ 1800 P.S.I.	1
2	166- 54	SCREW - ferry cap (3/8" - 16 NC x 3-1/4")	4
3	166- 55	SCREW - ferry cap (3/8" - 16 NC x 3-1/2")	4
4	D 31395	COVER - drive shaft, end without "O" ring seal groove.	1
5	D 48879	COVER - drive shaft end, used with "O" ring seal	1
	D 41318	KIT - pump rebuild (When stock is exhausted, order (1) D49374 kit for service)	1
	D 49374	KIT - pump rebuild	1
6	A 25139	SEAL - drive shaft	1
7	D 31404	BALL - steel (13/32" dia.)	2
8	D 31403	SPRING - ball retaining	2
9	D 31397	SEAL - diaphragm	1
10	A 41244	GASKET - backup	1
11	D 31398	GASKET - protector (When stock is exhausted, order (1) A42305 gasket for service)	1
	A 42305	GASKET - protector	1
12	D 41321	DIAPHRAGM - pump	1
13	D 41322	PLATE - thrust	1
14	D 48887	SEAL - "O"ring, cover seal for D48879 and D48883 covers (Part of D49374 kit only)	2
	D 41421	GEAR SET - drive and driven (When stock is exhausted, order (1) D49380 gear set for service)	1
	D 49380	GEAR SET - drive and driven (When stock is exhausted, order D52829 gear set for service)	1
	D 52929	GEAR SET - drive and driven	1
15	NSS	DRIVE SHAFT AND GEAR - pump	1
16	NSS	IDLER SHAFT AND GEAR - pump	1
17	D 49371	HOUSING - gear	1
18	D 49373	POWEL - pump housing	2
19	D 31407	COVER - part end, without "O" ring seal groove	1
20	D 48883	COVER - part end, used with "O" ring seal	1



MODEL 580 CONSTRUCTION KING FORK LIFT 88

FORK LIFT CONTROL VALVE

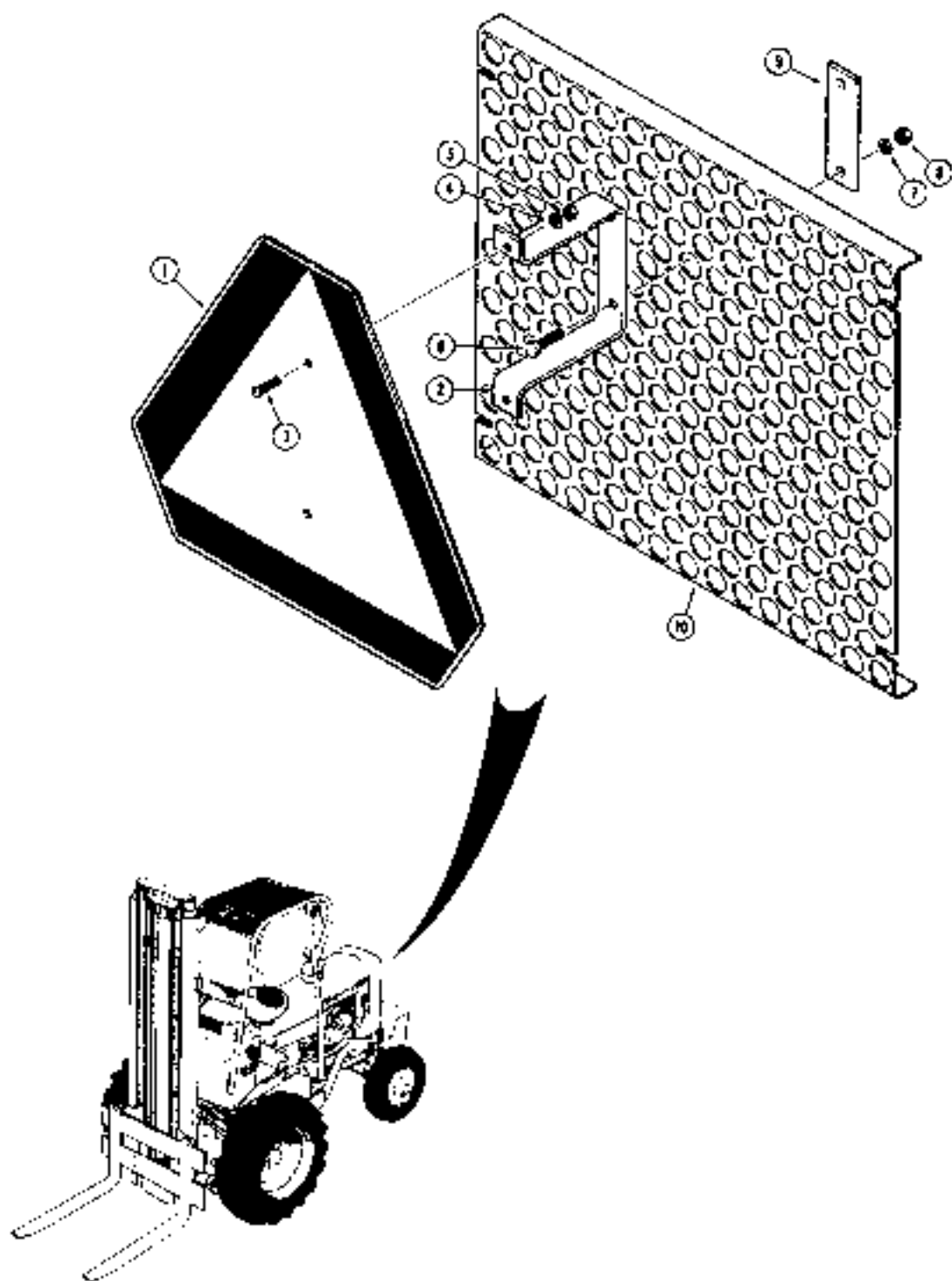
REF	PART NO	DESCRIPTION	REQ'D.
	D 41209	VALVE - hydraulic, early production (When stock is exhausted, order D50256 valve for service)	1
	D 50256	VALVE - hydraulic, late production	1
1	NSS	HOUSING AND SPOOLS - matched set	1
2	218- 5157	PLUG - valve port (Only one plug supplied with valve)	1-2
3	218- 5007	SEAL - "O"ring	1
4	D 28574	PLUG - check poppet	1
5	D 28840	SPRING - check poppet	1
6	D 48359	SEAL - "O"ring, check poppet plug	1
7	D 28576	POPPET - check	1
8	36645	CAP - rubber	3
9	36633	SNAP RING - stop disc	3
10	36631	DISC - stop	3
11	75- 48	BOLT - spring	3
12	36628	WASHER - lock	3
13	36630	COLLAR - stop	3
14	36632	SPRING - centering	3
15	36650	WASHER - stop	3
16	36642	SEAL - spool	6

D41209 CONTROL VALVE ONLY

17	D 41519	BODY - relief valve	1
18	34115	GASKET - relief valve body	1
19	D 25844	SHIM - relief valve spring (.010" thick)	UAR
20	36650	SPACER - relief valve spring (.10" thick)	UAR
21	D 41517	SPRING - relief valve	1
22	D 41520	SEAL - "O"ring, relief poppet	1
23	D 41518	POPPET - relief	1
24	D 28575	SEAT - relief valve	1
25	D 23928	SEAL - "O"ring, valve seat	1
26	D 28576	POPPET - check	1

D50256 CONTROL VALVE ONLY

27	D 39716	CAP - relief valve	1
28	D 39708	SEAL - "O"ring, cap	1
29	D 51540	SPRING - relief valve	1
30	D 39712	SHIM - relief valve spring (.0097" thick)	UAR
	A 55894	SHIM - relief valve spring (.0209" thick)	UAR
	A 55893	SHIM - relief valve spring (.0418" thick)	UAR
31	D 39713	POPPET - relief valve	1
32	D 39714	SEAL - relief valve poppet	1
33	D 51541	BODY - relief valve	1
34	D 39717	SEAL - "O" ring, large	1
35	F 8322	SEAL - "O" ring, small	1
36	D 28576	POPPET - check	1

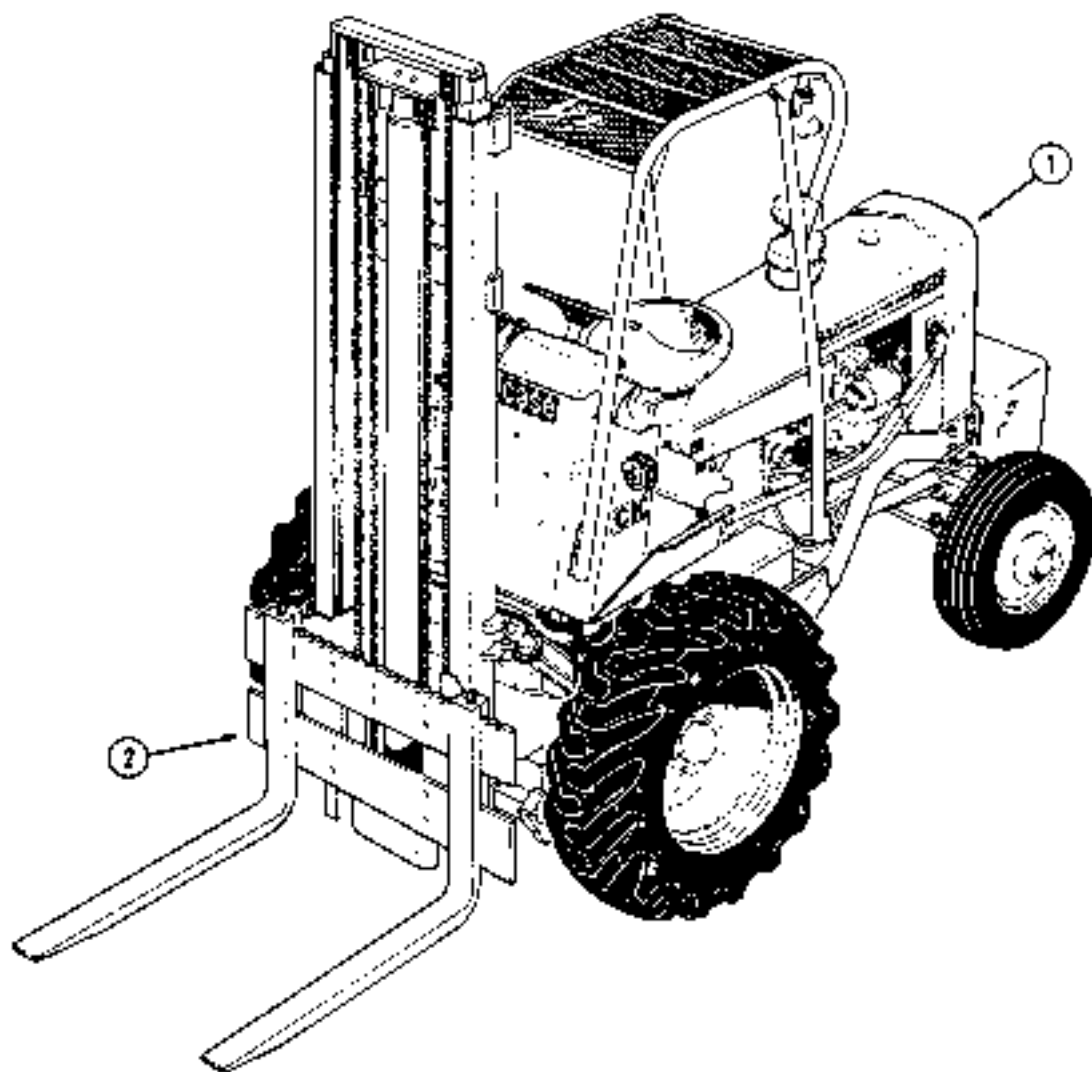


(This page has been intentionally left blank)

MODEL 580 CONSTRUCTION KING FORK LIFT

DECALS

REF.	PART NO.	DESCRIPTION	REQ'D.
1	B 17143	KIT - decal, basic tractor (With mechanical shuttle) Use before tractor serial no. 8656686	1
	B 17142	KIT - decal, basic tractor (With power shuttle) Use before tractor serial no. 8656686	1
	A 43011	KIT - decal, basic tractor (With mechanical shuttle or power shuttle) Use on tractor serial no. 8656686 and after	1
2	D 41501	KIT - decal, fork lift	1



HOSE AND FITTING ASSEMBLY CONVERSION PART NUMBERS

To make up a replacement hose line, find the CASE original equipment part number in the left hand column. To the right of this number are the component part numbers needed to assemble the replacement hose line.

ORIGINAL EQUIPMENT ASS'Y NO.	BULK HOSE NO.	CUT HOSE LENGTH	USE FITTING NO.	USE FITTING NO.	ADDITIONAL PARTS REQUIRED
A36162	A21572	25-3/4"	220-203	220-243	
D24169	A21567	35-3/4"	220-127	220-127	
D24260	A23299	173-1/2"	220-144	220-126	
D24281	A23299	213-1/2"	220-144	220-126	
D24300	A23299	329-1/2"	220-126	220-125	
D25232	A23299	213-1/2"	220-126	220-125	
D33739	A21574	141-1/2"	220-226	220-226	
D33748	A21566	16"	220-125	220-125	
D33749	A21566	24-1/2"	220-125	220-125	
D40829	A21566	12-1/2"	220-125	220-125	
D40830	A21566	17-1/2"	220-125	220-125	
D41212	A21566	45-1/2"	220-125	220-125	
D41213	A21566	52-1/2"	220-125	220-125	
D41515	A21565	71-1/2"	220-123	220-123	

NUMERICAL INDEX

PART NO.	PAGE NO.	REF. NO.	PART NO.	PAGE NO.	REF. NO.	PART NO.	PAGE NO.	REF. NO.			
D	39466	85	20	D	40702	23	D	41191	83	21	
D	39466	89	20	D	40703	25	D	41195	23	1	
D	39466	91	20	D	40704	7	D	41196	25	1	
D	39467	85	4	D	40825	33	30	D	41198	47	14
D	39468	87	20	D	40828	71	1	D	41198	49	29
D	39469	87	4	D	40829	75	22	D	41199	57	
D	39470	23	38	D	40830	79	27	D	41199	59	
D	39470	25	38	D	40831	7		D	41200	47	39
D	39471	29	28	D	40832	7	17	D	41200	55	13
D	39471	77	40	D	40833	7	20	D	41201	47	20
D	39471	79	36	D	40834	71	14	D	41201	49	17
D	39473	71	36	D	40835	71	12	D	41202	47	53
D	39474	71	29	D	40836	71	28	D	41203	47	50
D	39476	23	34	D	40837	71	13	D	41204	47	34
D	39476	23	29	D	40838	9	7	D	41204	55	8
D	39476	23	31	D	40839	9	3	D	41205	43	5
D	39476	25	14	D	40839	11	3	D	41204	47	1
D	39476	25	29	D	40839	13	3	D	41207	47	6
D	39476	25	31	D	40839	15	3	D	41208	47	11
D	39477	9	41	D	40839	17	3	D	41208	49	27
D	39477	13	41	D	40839	21	3	D	41209	95	
D	39477	19	49					D	41212	27	16
D	39478	29	18					D	41213	27	15
D	39478	33	9					D	41214	27	17
D	39478	77	18					D	41217	29	36
D	39479	29	13					D	41218	29	34
D	39479	77	13					D	41219	29	35
D	39479	79	13	D	40840	9	6	D	41219	29	37
D	39480	23	9	D	40840	11	6	D	41220	31	
D	39481	25	9	D	40840	13	6	D	41289	31	4
D	39482	23	22	D	40840	15	6	D	41289	31	7
D	39482	25	22	D	40840	17	6	D	41292	35	
D	39483	23	17	D	40840	21	6	D	41293	35	
D	39484	25	17	D	40841	9	6	D	41294	37	
				D	40841	11	5	D	41295	39	
				D	40841	13	5				
				D	40841	15	5				
				D	40841	17	5				
				D	40841	21	5				
				D	40842	9	4				
				D	40842	11	4				
D	39697	17	41	D	40842	13	4	D	41318	93	
D	39698	17	44	D	40842	15	4	D	41321	93	12
D	39699	9		D	40842	17	4	D	41322	93	13
D	39699	13		D	40842	21	4	D	41390	71	17
D	39699	19		D	40842	7	21	D	41390	94	1
D	39703	9	34	D	40843	9	8	D	41421	93	
D	39703	13	34	D	40843	11	8	D	41424	27	19
D	39704	4	37	D	40843	13	8	D	41424	89	1
D	39704	13	37	D	40843	15	8				
D	39708	95	28	D	40843	17	8				
D	39712	95	30	D	40843	21	8				
D	39713	95	31	D	40844	13	7				
D	39714	95	32	D	40844	17	7				
D	39716	95	27	D	40847	17	14	D	41500	89	4
D	39717	95	34	D	40847	21	14	D	41500	91	4
				D	40847	75		D	41501	98	2
				D	40847	83		D	41503	9	35
								D	41503	9	38
								D	41503	13	35
D	40383	7	38					D	41503	13	38
D	40384	7	37					D	41503	17	42
D	40697	9						D	41503	17	45
D	40699	13		D	41188	83		D	41505	9	11
D	40700	17		D	41189	83	16	D	41505	13	11
D	40700	79	17	D	41190	83	20	D	41505	17	11

NUMERICAL INDEX

PART NO.	PAGE NO.	REF. NO.	PART NO.	PAGE NO.	REF. NO.	PART NO.	PAGE NO.	REF. NO.
13- 620	53	57	25- 104	65	4	25- 108	71	7
13- 624	63	12	25- 104	71	2	25- 108	87	11
13- 624	45	12	25- 104	97	6	25- 114	47	35
13- 624	69	7	25- 105	29	20	25- 114	55	9
13- 624	51	52	25- 105	33	11	25- 116	35	17
13- 624	55	37	25- 105	77	25	25- 117	57	23
13- 624	57	32	25- 105	77	37	25- 117	59	31
13- 624	59	40	25- 105	79	33	25- 118	9	18
13- 626	47	21				25- 118	11	18
13- 626	49	18				25- 118	13	18
13- 628	69	7				25- 118	15	18
13- 628	67	26				25- 118	35	21
13- 632	71	4				25- 118	47	15
13- 632	29	4	25- 106	7	13	25- 118	47	51
13- 632	53	46	25- 106	7	24	25- 118	49	11
13- 632	43	12	25- 106	27	6	25- 118	49	31
13- 632	45	10	25- 106	27	12	25- 118	51	31
13- 632	51	4	25- 106	29	5	25- 118	51	39
13- 632	51	51	25- 106	29	12	25- 144	53	56
13- 632	55	29	25- 106	29	21	25- 144	55	44
13- 632	77	4	25- 106	33	4	25- 145	55	49
13- 632	79	4	25- 106	33	14	25- 146	51	49
13- 636	27	10	25- 106	33	21	25- 146	55	25
13- 636	29	10	25- 106	33	38	25- 148	9	30
13- 636	33	7	25- 106	33	44	25- 148	11	30
13- 636	51	18	25- 106	33	50	25- 148	11	39
13- 636	53	10	25- 106	41	16	25- 148	13	30
13- 636	71	53	25- 106	43	8	25- 148	15	30
13- 636	75	2	25- 106	45	8	25- 148	15	39
13- 636	77	10	25- 106	47	23	25- 148	17	37
13- 636	79	18	25- 106	49	25	25- 148	21	38
13- 668	7	22	25- 106	51	6	25- 148	21	47
13- 796	17	12	25- 106	51	14	25- 148	23	24
13- 796	21	17	25- 106	51	20	25- 148	25	24
13- 816	23	43	25- 106	51	27	25- 148	27	26
13- 816	25	43	25- 106	53	6	25- 156	53	31
13- 820	41	2	25- 106	53	12	25- 156	53	51
13- 824	47	2	25- 106	53	21			
13- 824	49	50	25- 106	53	36			
13- 824	55	45	25- 106	57	14			
13- 828	71	18	25- 106	59	42			
13- 846	51	22	25- 106	69	3			
13- 852	41	7	25- 106	69	27	25- 1010	7	33
13- 1020	69	6	25- 106	71	45	25- 1112	17	25
13- 1020	69	32	25- 106	75	4	25- 1112	21	26
13- 1024	41	10	25- 106	77	4	25- 1112	35	31
13- 1032	35	2	25- 106	77	17	25- 1116	23	12
13- 1046	7	29	25- 106	77	23	25- 1116	25	12
13- 1048	7	37	25- 106	79	6	25- 1116	51	31
13- 1256	7	44	25- 106	79	12	25- 1116	59	39
			25- 106	85	74	25- 1410	33	26
			25- 106	87	23	25- 1410	37	3
			25- 106	89	23	25- 1410	39	3
			25- 106	91	23	25- 1512	17	24
						25- 1512	21	25
14- 712	57	24				25- 2312	85	14
14- 712	69	32				25- 2312	89	14
14- 1232	35	26				25- 2312	91	14
14- 1246	45	10				25- 2416	87	14
			25- 107	85	11			
			25- 107	89	11			
			25- 107	91	11			
			25- 108	41	4			
			25- 108	41	4			
25- 104	43	4	25- 108	55	47	61- 624	43	7

NUMERICAL INDEX

PART NO.	PAGE NO.	REF. NO.	PART NO.	PAGE NO.	REF. NO.	PART NO.	PAGE NO.	REF. NO.
61- 624	45	7	92- 6	45	13	95- 8	53	25
61- 628	85	21	92- 6	45	16	95- 8	57	28
61- 628	87	21	92- 6	47	22	95- 8	59	36
61- 628	89	21	92- 6	49	19	95- 10	69	34
61- 628	91	21	92- 6	51	5	95- 12	35	24
61- 828	4	29	92- 6	51	13			
61- 828	11	29	92- 6	51	14			
61- 828	13	29	92- 6	51	26			
61- 828	15	29	92- 6	51	53			
61- 828	17	36	92- 6	53	5			
61- 828	21	37	92- 6	53	11			
61- 828	23	23	92- 6	53	20	113- 639	7	14
61- 828	25	23	92- 6	53	35	114- 9	7	2
62- 824	9	14	92- 6	54	58	126- 12	51	57
62- 824	11	14	92- 6	55	31	126- 21	49	56
62- 824	13	14	92- 6	57	33	129- 7	47	5
62- 824	15	14	92- 6	59	6	129- 406	69	13
62- 824	17	15	92- 6	59	41	129- 406	69	17
62- 824	21	15	92- 6	69	4	129- 406	69	39
62- 832	23	7	92- 6	69	28	129- 406	69	43
62- 832	25	7	92- 6	71	34	129- 563	7	19
64- 640	33	14	92- 6	75	3	131- 8	17	14
			92- 6	77	5	131- 8	21	13
			92- 6	77	11	131- 10	47	3
			92- 6	77	22	131- 10	49	3
			92- 6	79	5	131- 105	69	7
			92- 6	79	11	131- 105	69	31
			92- 7	57	25			
			92- 7	59	33			
			92- 8	9	15			
			92- 8	11	15			
			92- 8	13	15			
			92- 8	15	15			
			92- 8	17	16	132- 4	47	73
			92- 8	21	16	132- 4	55	7
			92- 8	23	8	132- 5	55	40
			92- 8	23	44	132- 6	27	8
			92- 8	25	8	132- 6	29	8
			92- 8	25	44	132- 6	34	52
			92- 8	41	3	132- 6	51	8
			92- 8	41	6	132- 6	51	16
			92- 8	55	46	132- 6	53	8
			92- 8	71	8	132- 6	77	8
			92- 8	71	19	132- 6	79	8
						132- 25	9	22
						132- 25	11	22
						132- 25	13	22
						132- 25	15	22
						132- 25	17	29
						132- 25	21	30
						132- 26	47	17
			92- 10	7	32	132- 26	49	53
			92- 10	35	3	132- 26	53	48
			92- 10	41	11	132- 26	53	67
			92- 10	69	9	132- 26	55	11
			92- 10	69	33	132- 26	56	59
			92- 12	35	11	132- 45	23	16
			92- 12	35	30	132- 45	25	16
						132- 47	47	13
						132- 47	47	49
						132- 47	49	13
						132- 47	49	41
						132- 47	51	29
						132- 48	35	18
			95- 5	55	12	132- 48	35	23
			95- 6	7	10	132- 95	53	46
			95- 6	53	53	132- 99	9	25

Printed in U.S.A.

CASE CORPORATION
700 STATE STREET
PAC. HE. WI 53404 U.S.A.

CASE CANADA CORPORATION
3580 SOUTH SERVICE ROAD
BURLINGTON, ON L7N 3V6 CANADA