



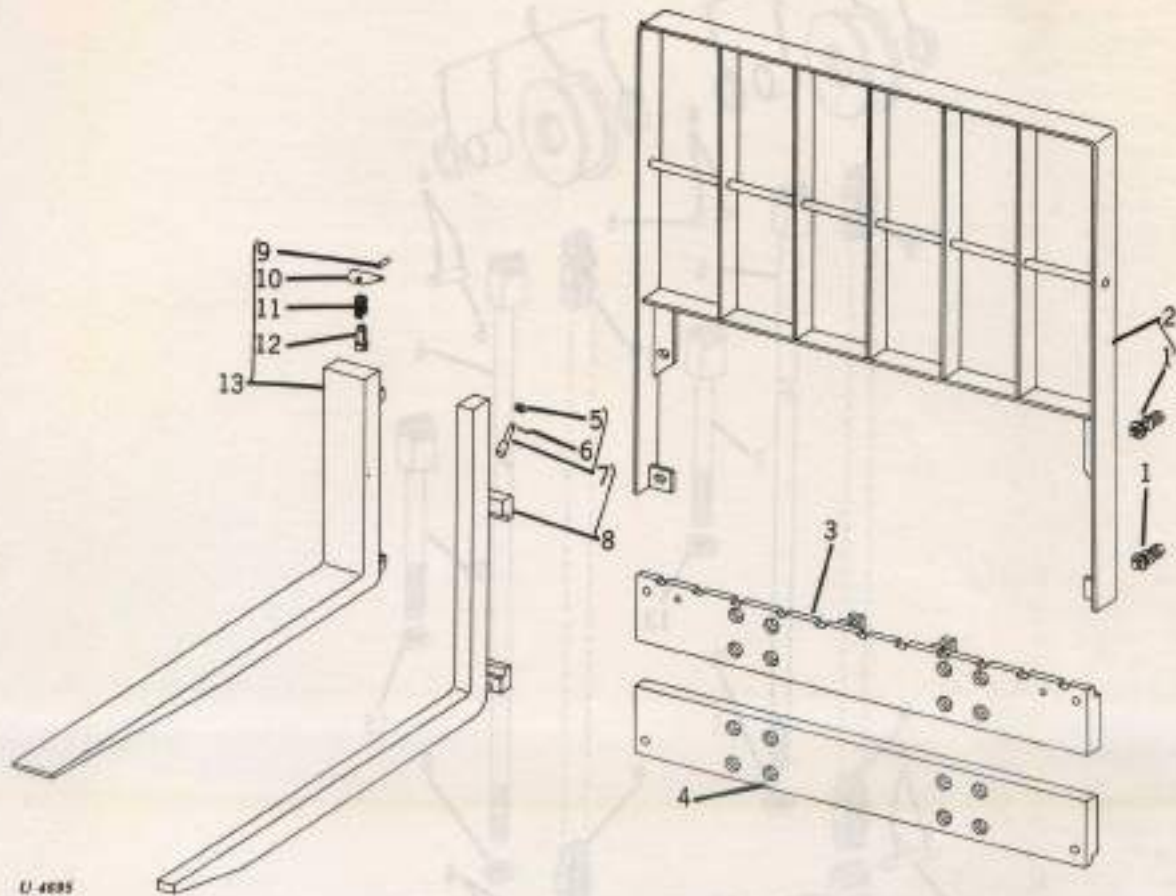
John Deere 2010 Forklift
Manufactured (1964-)

ALPHABETICAL INDEX

	Page
Box weight.....	8
Bracket, mounting, side-shift cylinder.....	25
Canopy.....	8
Carriage, mast.....	5, 6
Chains, mast.....	4
Clamp, mounting, side shift cylinder.....	25
Clutch disconnect.....	9
Console, control.....	10
Counterweights.....	8
Crossbar, carriage, lower.....	5, 6
Crossbar, carriage, upper.....	5, 6
Cylinder, lift, 14'.....	23
Cylinder, lift, 21'.....	22
Cylinder, side shift.....	24
Cylinder, tilt.....	26
Decalcomanias.....	25
Filter, oil.....	17
Floor, front.....	10
Floor, rear.....	18
Flow divider, power steering.....	30
Fork Sections.....	3
Frames, side.....	8
Gauges.....	35
Guard, carriage.....	3
Linkage, auxiliary valve.....	14
Linkage, brake.....	11
Linkage, clutch.....	12
Linkage, control valve.....	16
Linkage, direction reverser.....	14
Linkage, throttle, foot operated.....	13
Linkage, throttle, hand operated.....	21
Linkage, transmission shifter.....	20
Manual, operator's.....	25
Mast, fourteen foot.....	5
Mast, twenty-one foot.....	6
Oil lines - Auxiliary valve to reel.....	34
Oil Lines - Lift and side shift circuits.....	29
Oil Lines - Pressure and return circuits.....	27
Oil Lines - Power steering circuit.....	30
Oil Lines - Tilt circuit.....	28
Pads, wear, mast.....	5, 6
Pin, sheave.....	5, 6
Pin, tilt cylinder, lower.....	8
Pin, tilt cylinder, upper.....	5, 6
Plate, mounting, side shift cylinder.....	25
Plate, warning.....	25
Power steering unit.....	32
Pump.....	31
Pump drive.....	33
Reservoir.....	17
Sections, fork.....	3
Sheaves, mast.....	4
Switch, ignition.....	18
Switch, light.....	18
Transmission pump disconnect.....	7
Valve, control.....	15
Valve, auxiliary.....	35
Wheel, steering.....	28
Wiring for gauges.....	19

NOTE: Forklift parts not listed above are identical to those of the 2010 Wheel Tractor. Therefore they are not included in this catalog. See PC-903 for this parts information.

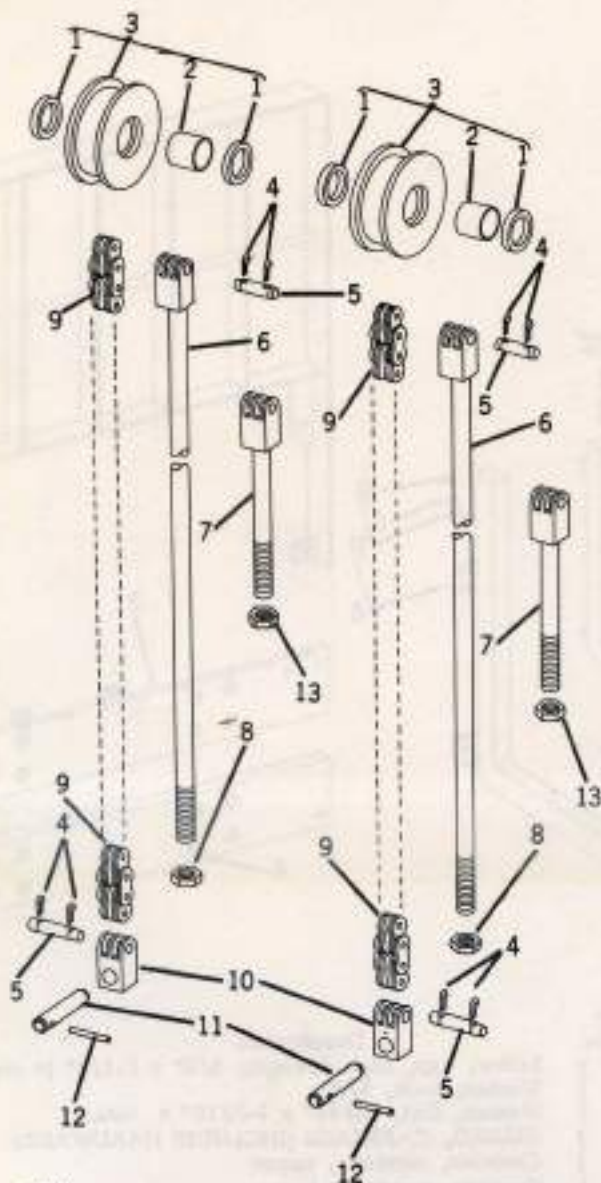
FORK SECTIONS AND CARRIAGE GUARD



Key	Part No.	Year or Serial No.	Description
1	19H 1833	(-)	Screw, cap, high-strength, 5/8" x 1-1/4" (4 used)
	12H 294	(-)	Washer, lock, 5/8"
	24H 1368	(-)	Washer, flat, 21/32" x 1-5/16" x .090"
2	BU 10590 U	(-)	GUARD, CARRIAGE (INCLUDES HARDWARE)
3	AU 13591 U	(-)	Crossbar, carriage, upper
4	U 15704 U	(-)	Crossbar, carriage, lower
5	24H 1305	(-)	Washer, flat, 13/32" x 13/16" x .060" (6 used)
6	34H 85	(-)	Pin, spring, 3/16" x 2" (6 used)
7	AU 40215	(-)	Pin, hanger (6 used) (sub. for U16096U)
8	AU 13194 U	(-)	Fork, block, 46" (6 used)
9	34H 77	(-)	Pin, spring, 3/16" x 1" (2 used)
10	U 15927 U	(-)	Handle (2 used)
11	U 15929 U	(-)	Spring (2 used)
	U 15928 U	(-)	Pin, latch (2 used)
13	AU 13196 U	(-)	Section, fork, 42", 5000 lbs. capacity
	AU 13198 U	(-)	Section, fork, 48", 5000 lbs. capacity

Note: Item in capital letters is whole goods and must be listed on a separate order from replacement parts order.

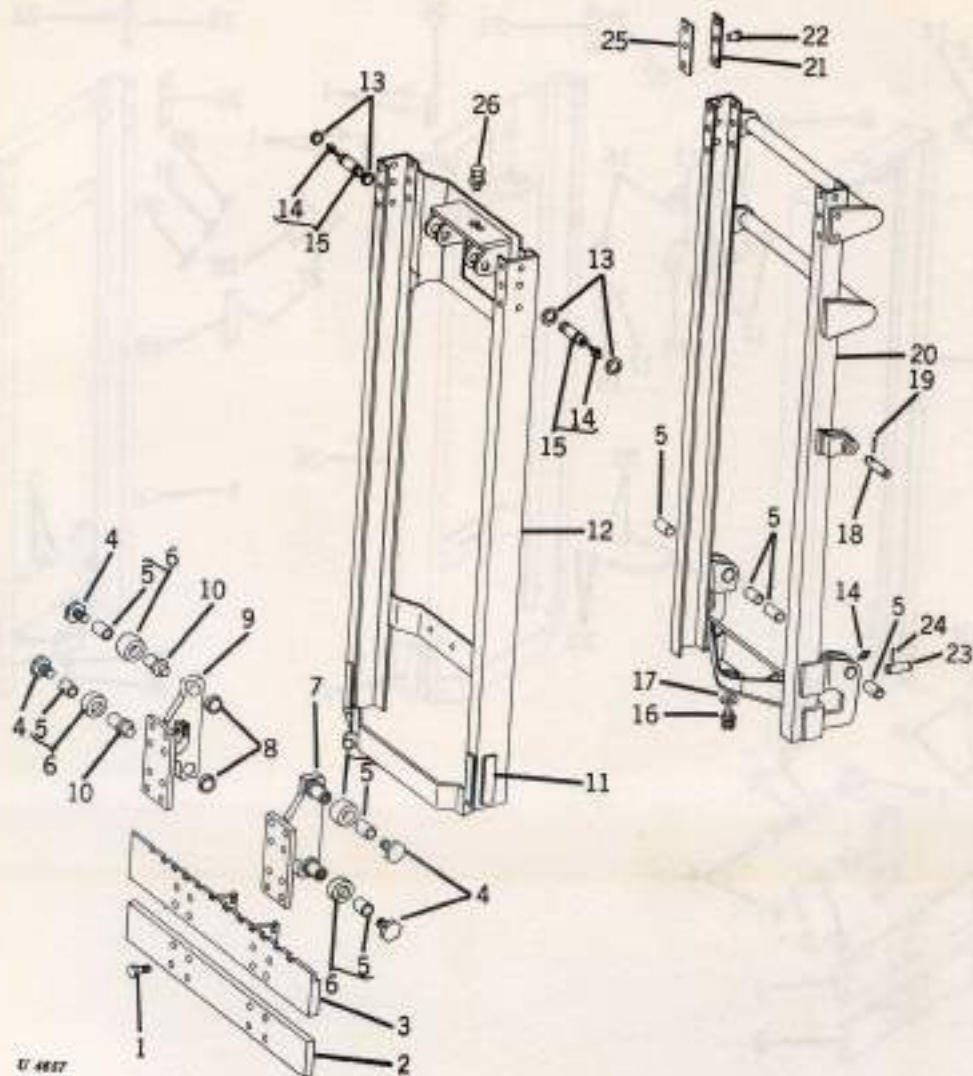
CHAINS AND SHEAVES



U 4643

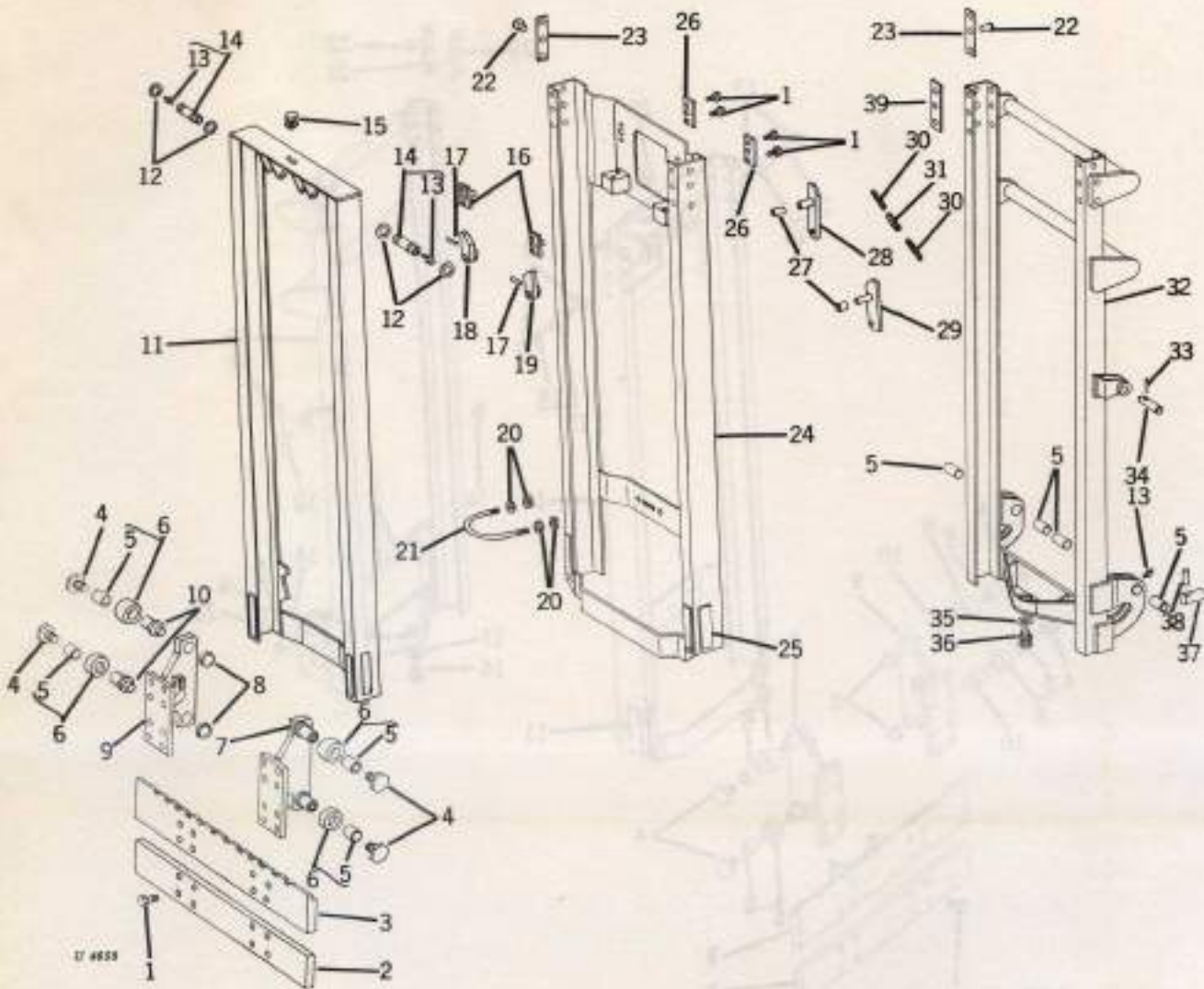
Key	Part No.	Year or Serial No.	Description
1	AH 14080 H	(-)	Seal, wiper (4 used)
2	U 10294 U	(-)	Bushing, sheave (2 used)
3	AU 13237 U	(-)	Sheave (2 used)
4	11H 233	(-)	Pin, cotter, 3/32" x 1/2" (8 used)
5	U 15685 U	(-)	Pin, leaf chain (4 used)
6	AU 13592 U	(-)	Bolt, retaining, chain (14' mast only) (2 used)
7	AU 13594 U	(-)	Bolt, retaining, chain (21' mast only) (2 used)
8	E 12313 E	(-)	Nut, lock (2 used)
9	AU 13188 U	(-)	Chain, leaf (2 used)
10	U 15043 U	(-)	Clevis, chain (2 used)
11	U 15737 U	(-)	Pin, clevis (2 used)
12	34H 103	(-)	Pin, spring, 1/4" x 1-1/4" (2 used)
13	BP 14495 E	(-)	Nut, lock (2 used)

FOURTEEN-FOOT MAST



Key	Part No.	Year or Serial No.	Description
1	19H 1708	(-)	Screw, cap, high-strength, 5/8" x 1-3/4" (16 used)
2	U 15704 U	(-)	Crossbar, carriage, lower
3	AU 13591 U	(-)	Crossbar, carriage, upper
4	U 15734 U	(-)	Nut, wear, carriage (4 used)
5	U 12329 U	(-)	Bearing (8 used)
6	AU 13219 U	(-)	Roller, carriage (includes U12329U) (4 used)
7	AU 13601 U	(-)	Frame, roller, carriage, L.H.
8	U 16367 U	(-)	Nut, spanner, carriage (2 used)
9	AU 13600 U	(-)	Frame, roller, carriage, R.H.
10	U 16368 U	(-)	Stud, roller, carriage (2 used)
11	U 15657 U	(-)	Pad, wear (brazed to upper mast) (4 used)
12	AU 13597 U	(-)	Mast, upper
13	L 1176 N	(-)	Ring, retaining (4 used)
14	JD 7797	(-)	Fitting, grease, straight, 1/4" (4 used)
15	AU 13189 U	(-)	Pin, sheave (includes grease fitting) (2 used)
16	19H 1756	(-)	Screw, cap, high-strength, 5/8" x 1-1/2"
17	12H 294	(-)	Washer, lock, 5/8"
18	24H 1655	(-)	Washer, flat, 11/16" x 1-3/4" x .105"
19	U 15683 U	(-)	Pin, tilt cylinder, upper (2 used)
20	34H 109	(-)	Pin, spring, 1/4" x 2" (2 used)
21	AU 13599 U	(-)	Mast, lower
22	U 15687 U	(-)	Pad, wear (8 used)
23	U 15020 U	(-)	Rivet, wear pad (24 used) (sub. for U15688U)
24	U 16469 U	(-)	Pin, side-shift cylinder
25	34H 121	(-)	Pin, spring, 5/16 x 2-1/4"
26	U 17048 U	(-)	Shim (2 used)
	19H 1708	(-)	Screw, cap, 5/8" x 1-3/4"
	12H 294	(-)	Washer, lock, 5/8"

TWENTY ONE-FOOT MAST



Key	Part No.	Year or Serial No.	Description
1	19H 1708	(-)	Screw, cap, high-strength, 5/8" x 1-3/4" (20 used)
2	U 15704 U	(-)	Crossbar, carriage, lower
3	AU 13591 U	(-)	Crossbar, carriage, upper
4	U 15697 U	(-)	Nut, wear, carriage (4 used)
5	U 12329 U	(-)	Bearing (8 used)
6	AU 13204 U	(-)	Roller, carriage (4 used)
7	AU 13601 U	(-)	Frame, roller, carriage, L.H.
8	U 16367 U	(-)	Nut, spanner, carriage (2 used)
9	AU 13600 U	(-)	Frame, roller, carriage, R.H.
10	U 16368 U	(-)	Stud, roller, carriage (2 used)
11	AU 13596 U	(-)	Mast, upper
12	L 1176 N	(-)	Ring, retaining (4 used)
13	JD 7797	(-)	Fitting, grease, straight, 1/4" (4 used)
14	AU 13189 U	(-)	Pin, sheave (includes grease fitting) (2 used)
15	19H 1708	(-)	Screw, cap, high-strength, 5/8" x 1-3/4"
	12H 294	(-)	Washer, lock, 5/8"
16	AU 13593 U	(-)	Nut, stop, mast
17	34H 132	(-)	Pin, spring, 3/8" x 2"
18	AU 13708 U	(-)	Dog, inside, R.H.
19	AU 13709 U	(-)	Dog, inside, L.H.
20	14H 809	(-)	Nut, hex., 1/2" (4 used)
21	U 16355 U	(-)	U-bolt
22	U 15020 U	(-)	Rivet, wear pad (42 used) (sub. for U15688U)
23	U 15687 U	(-)	Pad, wear (14 used)
24	AU 13598 U	(-)	Mast, intermediate

TWENTY ONE-FOOT MAST -- Continued

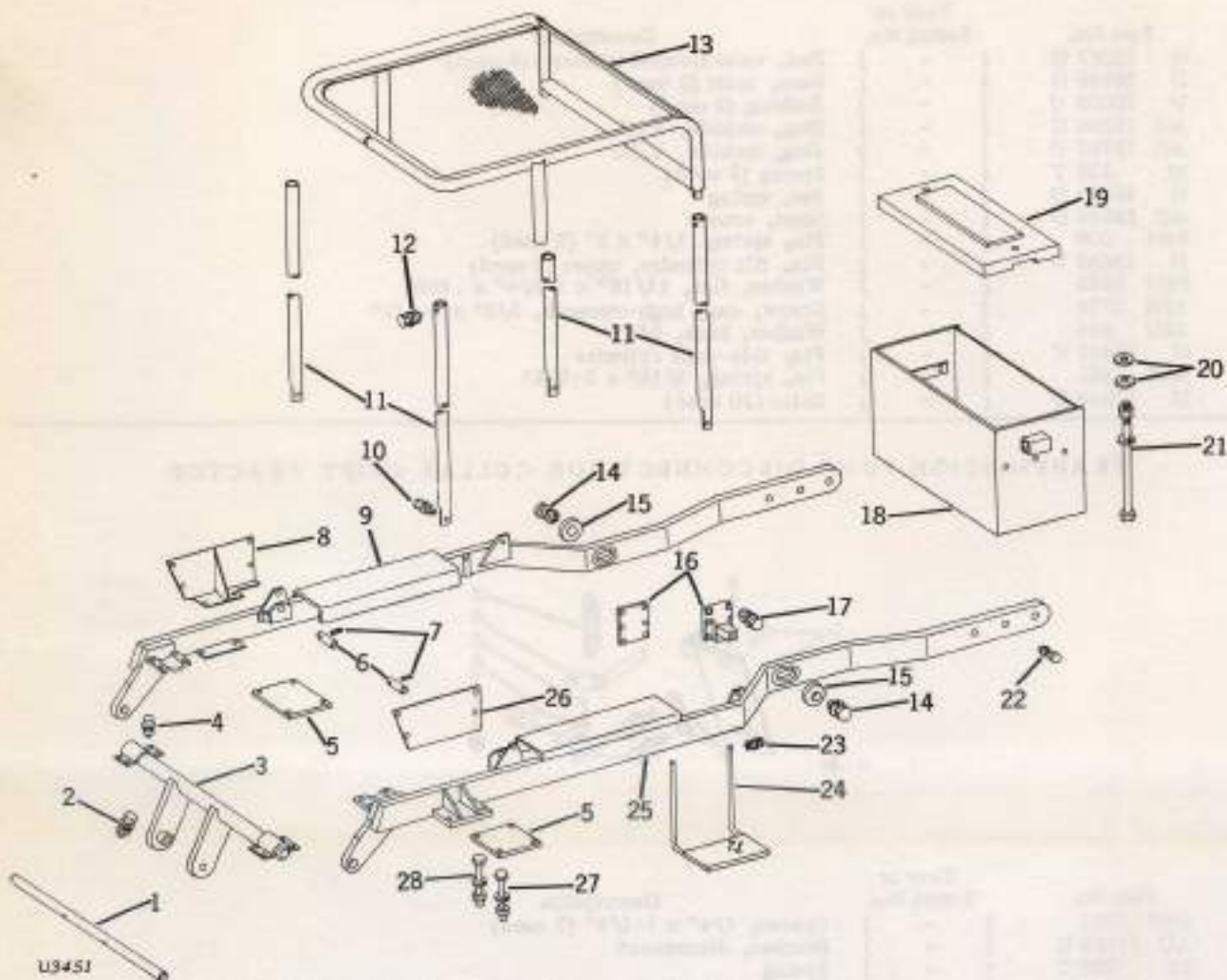
Key	Part No.	Year or Serial No.	Description
25	U 15657 U	(-)	Pad, wear (brazed to mast) (6 used)
26	U 16348 U	(-)	Stop, mast (2 used)
27	U 10052 U	(-)	Bushing (2 used)
28	AU 13706 U	(-)	Dog, outside, R.H.
29	AU 13707 U	(-)	Dog, outside, L.H.
30	M 226 T	(-)	Spring (2 used)
31	U 16485 U	(-)	Bar, spring
32	AU 13599 U	(-)	Mast, lower
33	34H 109	(-)	Pin, spring, 1/4" x 2" (2 used)
34	U 15683 U	(-)	Pin, tilt cylinder, upper (2 used)
35	24H 1655	(-)	Washer, flat, 11/16" x 1-3/4" x .105"
36	19H 1756	(-)	Screw, cap, high-strength, 5/8" x 1-1/2"
	12H 294	(-)	Washer, lock, 5/8"
37	U 16469 U	(-)	Pin, side-shift cylinder
38	34H 121	(-)	Pin, spring, 5/16" x 2-1/4"
39	U 17048 U	(-)	Shim (20 used)

TRANSMISSION PUMP DISCONNECT FOR COLLAR SHIFT TRACTOR.



Key	Part No.	Year or Serial No.	Description
1	28H 1941	(-)	Spacer, 1/4" x 1-1/4" (2 used)
2	AU 13728 U	(-)	Bracket, disconnect
3	M 226 T	(-)	Spring
4	(-)	Shaft, shifter (see Hydraulic Pump, PC-903, 2010 Wheel Tractor)
5	34H 47	(-)	Pin, spring, 1/8" x 1-1/4"
6	AU 13729 U	(-)	Handle
7	M 2396 T	(-)	Ring, snap
8	19H 1901	(-)	Screw, cap, high-strength, 5/16" x 2" (2 used)
	12H 303	(-)	Washer, lock, 5/16"
9	24H 1136	(-)	Washer, flat, 11/32" x 11/16 x .060" (2 used)

CANOPY, SIDE FRAMES, AND WEIGHT BOX

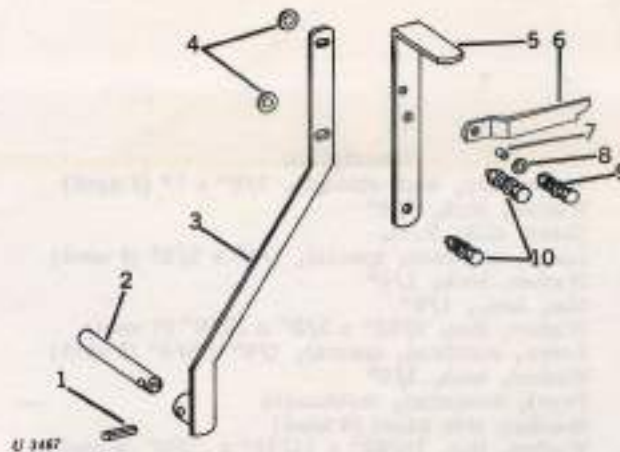


Key	Part No.	Year or Serial No.	Description
1	U 15728 U	(-)	Bar, pivot
2	19H 2128	(-)	Screw, cap, high-strength, 3/8" x 3" (2 used)
	12H 304	(-)	Washer, lock, 3/8"
	14H 812	(-)	Nut, hex., 3/8"
3	AU 13304 U	(-)	Mount, cross, side frame
4	19H 1782	(-)	Screw, cap, high-strength, 3/4" x 2-1/4" (8 used)
	12H 236	(-)	Washer, lock, 3/4"
	14H 794	(-)	Nut, hex., 3/4"
5	U 15874 U	(-)	Plate, bolt, side frame (2 used)
6	U 15862 U	(-)	Pin, tilt cylinder, lower (2 used)
7	34H 109	(-)	Pin, spring, 1/4" x 2" (2 used)
8	AU 13720 U	(-)	MOUNT, FENDER, R.H.
9	BU 10756 U	(-)	FRAME, SIDE, R.H. (sub. for AU13310U)
10	19H 2122	(-)	Screw, cap, high-strength, 1" x 2-1/2" (4 used)
	12H 234	(-)	Washer, lock, 1"
	14H 805	(-)	Nut, hex., 1"
11	AU 13298 U	(-)	Leg, canopy (4 used)
12	19H 1820	(-)	Screw, cap, high-strength, 1/2" x 3" (4 used)
	12H 301	(-)	Washer, lock, 1/2"
	14H 809	(-)	Nut, hex., 1/2"
13	AU 13302 U	(-)	Canopy
14	19H 1833	(-)	Screw, cap, high-strength, 5/8" x 1-1/4" (2 used)
	12H 294	(-)	Washer, lock, 5/8"
15	U 12948 U	(-)	Retainer, front mount (2 used)
16	U 13076 U	(-)	Pad, mounting, front (2 used)
17	19H 1824	(-)	Screw, cap, high-strength, 5/8" x 2-1/4" (8 used)
	12H 294	(-)	Washer, lock, 5/8"
	14H 760	(-)	Nut, hex., 5/8"
18	AU 13305 U	(-)	Box, weight

CANOPY, SIDE FRAMES, AND WEIGHT BOX -- Continued

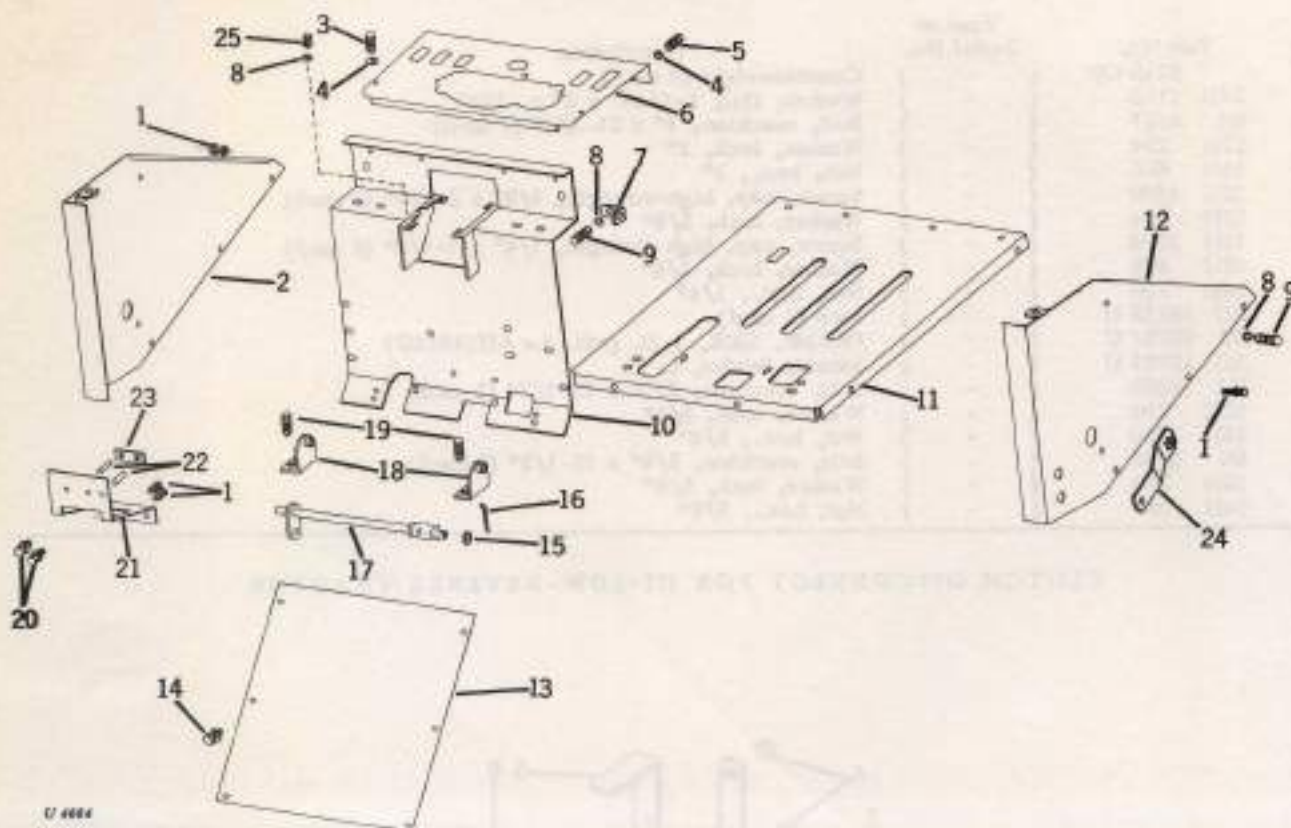
Key	Part No.	Year or Serial No.	Description
19	8255 CU	(-)	Counterweight (9 used)
20	24H 1138	(-)	Washer, flat, 1-1/16" x 2" x .134"
21	8H 4287	(-)	Bolt, machine, 1" x 21-1/2" (2 used)
	12H 234	(-)	Washer, lock, 1"
	14H 805	(-)	Nut, hex., 1"
22	19H 1890	(-)	Screw, cap, high-strength, 5/8" x 2-3/4" (6 used)
	12H 294	(-)	Washer, lock, 5/8"
23	19H 1898	(-)	Screw, cap, high-strength, 1/4" x 1-1/2" (4 used)
	12H 302	(-)	Washer, lock, 1/4"
	14H 786	(-)	Nut, hex., 1/4"
24	AU 13312 U	(-)	Step (2 used)
25	BU 10757 U	(-)	FRAME, SIDE, L. H. (sub. for AU13311U)
26	AU 13721 U	(-)	Mount, fender, L. H.
27	8H 4286	(-)	Bolt, machine, 5/8" x 12-1/2" (2 used)
	12H 294	(-)	Washer, lock, 5/8"
	14H 760	(-)	Nut, hex., 5/8"
28	8H 4286	(-)	Bolt, machine, 5/8" x 12-1/2" (2 used)
	12H 294	(-)	Washer, lock, 5/8"
	14H 760	(-)	Nut, hex., 5/8"

CLUTCH DISCONNECT FOR HI-LOW-REVERSE TRACTOR.



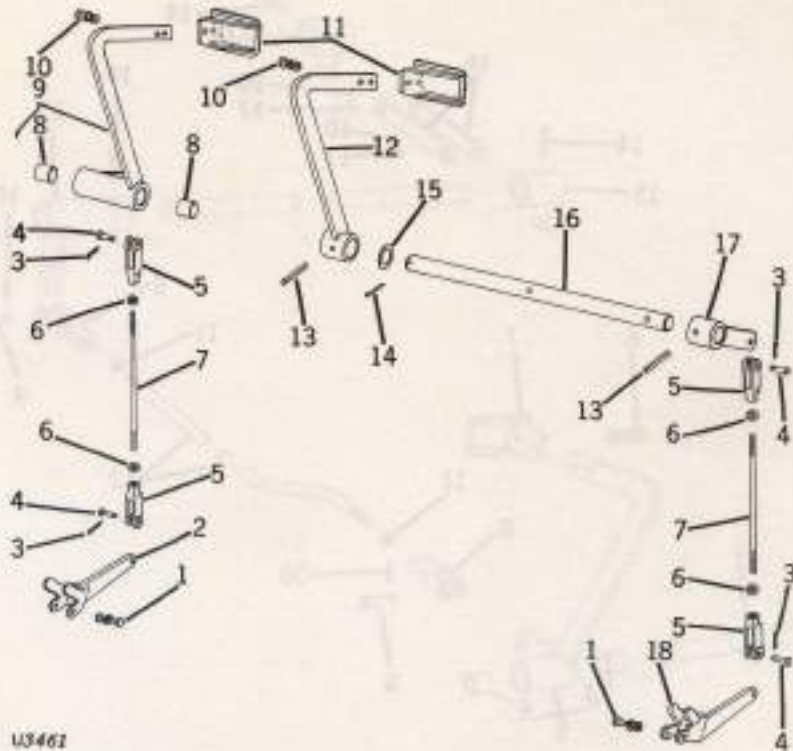
Key	Part No.	Year or Serial No.	Description
1	34H 131	(-)	Pin, spring, 3/8" x 1-3/4"
2	(-)	Shaft, clutch operating arm (see Clutch Disconnect and Flywheel, PC-903, 2010 Wheel Tractor)
3	AU 13661 U	(-)	Lever, clutch operating shaft
4	24H 1305	(-)	Washer, flat, 13/32" x 13/16" x .060" (2 used)
5	U 16449 U	(-)	Handle, lever
6	U 16448 U	(-)	Latch, disconnect lever
7	28H 1511	(-)	Spacer, 1/4" x 1/4"
8	24H 1136	(-)	Washer, flat, 11/32" x 11/16" x .060"
9	19H 1905	(-)	Screw, cap, high-strength, 5/16" x 1"
	12H 303	(-)	Washer, lock, 5/16"
	14H 785	(-)	Nut, hex., 5/16"
10	19H 1731	(-)	Screw, cap, high-strength, 3/8" x 1" (2 used)
	12H 304	(-)	Washer, lock, 3/8"
	14H 812	(-)	Nut, hex., 3/8"

CONTROL CONSOLE



Key	Part No.	Year or Serial No.	Description
1	19H 1731	(-)	Screw, cap, high-strength, 3/8" x 1" (8 used)
	12H 304	(-)	Washer, lock, 3/8"
2	AU 13500 U	(-)	Sheet, side, R.H.
3	T 14744 T	(-)	Screw, machine, special, 1/4" x 5/8" (4 used)
	12H 302	(-)	Washer, lock, 1/4"
	14H 786	(-)	Nut, hex., 1/4"
4	24H 1287	(-)	Washer, flat, 9/32" x 5/8" x .060" (6 used)
5	T 14744 T	(-)	Screw, machine, special, 1/4" x 5/8" (2 used)
	12H 302	(-)	Washer, lock, 1/4"
6	AU 13497 U	(-)	Panel, mounting, instrument
7	U 16191 U	(-)	Bracket, side panel (4 used)
8	24H 1305	(-)	Washer, flat, 13/32" x 13/16" x .060" (4 used)
9	19H 1731	(-)	Screw, cap, high-strength, 3/8" x 1" (8 used)
	12H 304	(-)	Washer, lock, 3/8"
	14H 812	(-)	Nut, hex., 3/8"
10	AU 13496 U	(-)	Plate, mounting
11	AU 13522 U	(-)	Floor, front
12	AU 13501 U	(-)	Sheet, side, L. H.
13	U 16186 U	(-)	Panel, front
14	19H 2021	(-)	Screw, cap, high-strength, 3/8" x 5/8" (6 used)
	12H 304	(-)	Washer, lock, 3/8"
15	24H 1181	(-)	Washer, flat, 13/16" x 1-1/8" x .060"
16	11H 224	(-)	Pin, cotter, 1/8" x 1-1/4"
17	AU 13521 U	(-)	Shaft, forward and reverse
18	AU 13517 U	(-)	Bracket, support (2 used)
19	19H 1815	(-)	Screw, cap, high-strength, 1/2" x 1-1/4" (4 used)
	24H 1227	(-)	Washer, flat, 17/32" x 13/16" x .060"
	12H 301	(-)	Washer, lock, 1/2"
	14H 809	(-)	Nut, hex., 1/2"
20	19H 1726	(-)	Screw, cap, high-strength, 3/8" x 2-1/4" (2 used)
	12H 304	(-)	Washer, lock, 3/8"
21	AU 13671 U	(-)	Support, hose
22	28H 1528	(-)	Spacer, 3/8" x 1-5/8" (2 used)
23	AU 13690 U	(-)	Bracket, hose
24	AU 13724 U	(-)	Bracket, hose
25	19H 2309	(-)	Screw, cap, 3/8" x 1-1/4" (4 used)
	12H 304	(-)	Washer, lock, 3/8" (4 used)

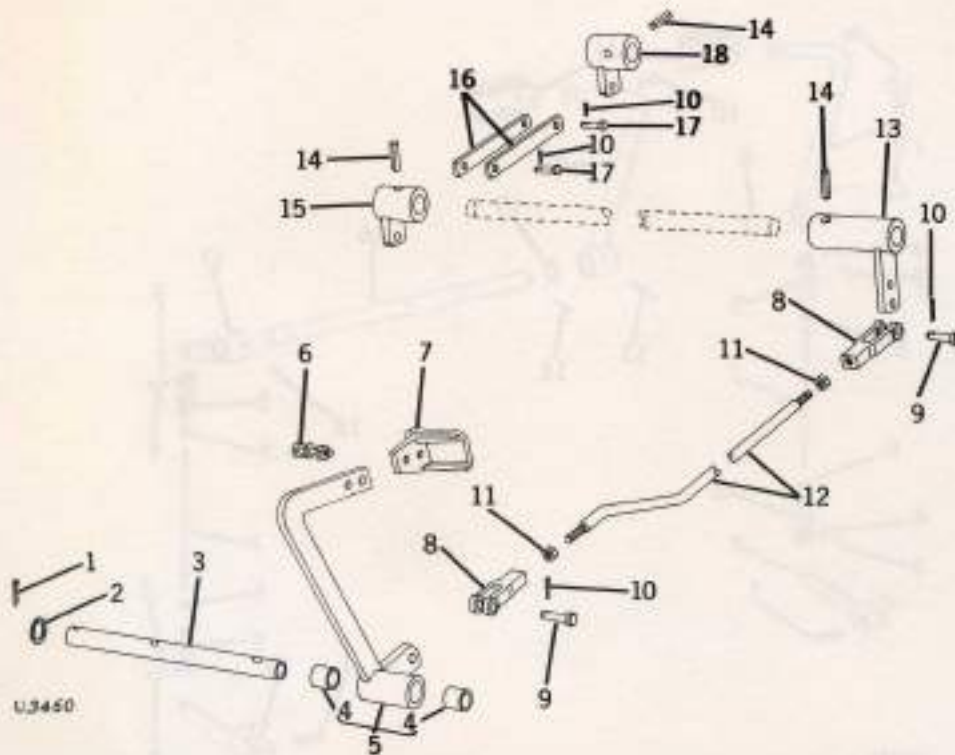
BRAKE LINKAGE



U3461

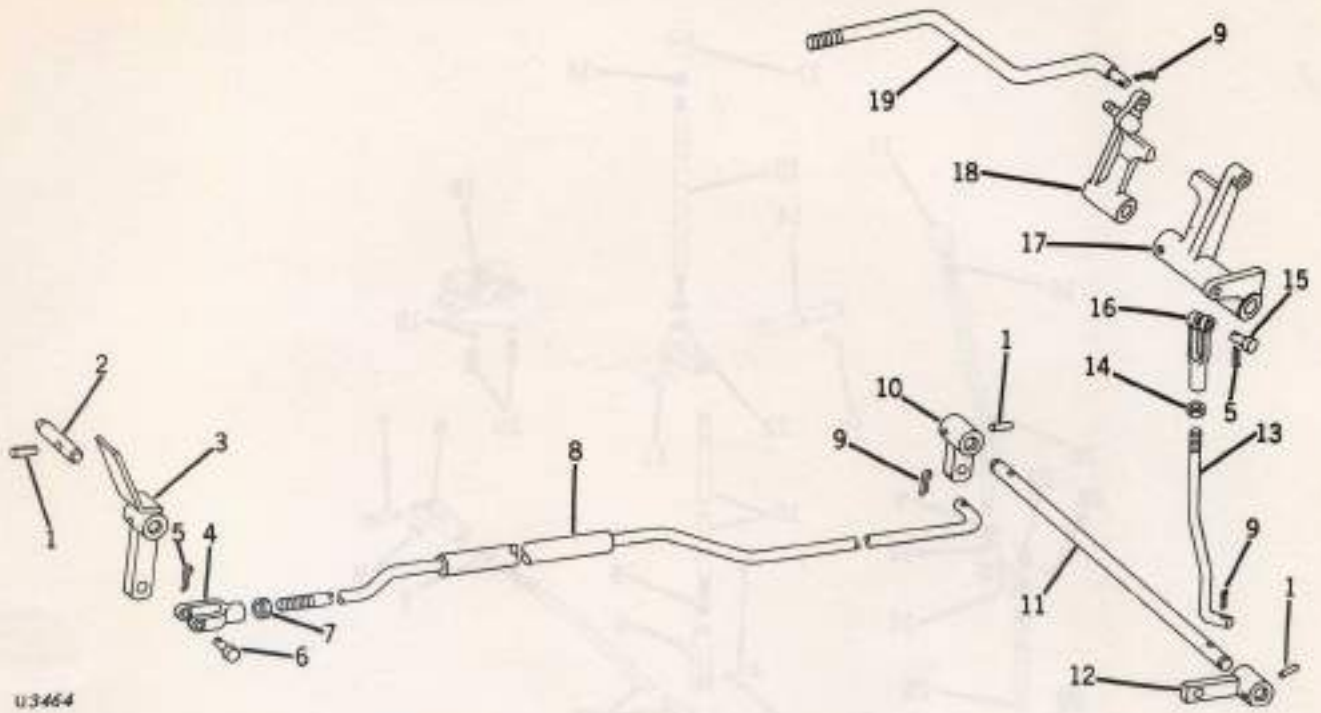
Key	Part No.	Year or Serial No.	Description
1	19H 1898	-	Screw, cap, high-strength, 1/4" x 1-1/2" (2 used)
	12H 302	-	Washer, lock, 1/4"
	14H 786	-	Nut, hex., 1/4"
2	U 16208 U	-	Extension, lever, brake, R.H.
3	11H 206	-	Pin, cotter, 3/32" x 3/4" (4 used)
4	P 46404 H	-	Pin (4 used) (sub. for L307T)
5	L 299 T	-	Clevis (4 used)
6	14H 882	-	Nut, hex., jam, 5/16" (4 used)
7	U 16214 U	-	Rod, brake
8	M 2038 T	-	Bearing (2 used)
9	AU 13511 U	-	Pedal, brake, right (includes bushings)
10	19H 1900	-	Screw, cap, high-strength, 5/16" x 3/4" (4 used)
	12H 303	-	Washer, lock, 5/16"
	14H 785	-	Nut, hex., 5/16"
11	PK 1245 H	-	Psd, pedal (2 used)
12	AU 13503 U	-	Pedal, brake, left
13	25H 154	-	Pin, groove, 3/8" x 2" (2 used)
14	11H 237	-	Pin, cotter, 1/8" x 2"
15	24H 1477	-	Washer, flat, 1-5/32" x 1-3/4" x .060"
16	U 16212 U	-	Shaft, brake and clutch
17	AU 13506 U	-	Hub, lever, brake
18	U 16209 U	-	Extension, lever, brake, L.H.

CLUTCH LINKAGE



Key	Part No.	Year or Serial No.	Description
1	11H 237	(-)	Pin, cotter, 1/8" x 2"
2	24H 1477	(-)	Washer, flat, 1-5/32" x 1-3/4" x .060"
3	U 16212 U	(-)	Shaft, brake and clutch
4	M 2038 T	(-)	Bushing (2 used)
5	AU 13509 T	(-)	Pedal, clutch (includes bushings)
6	19H 1900	(-)	Screw, cap, high-strength, 5/16" x 3/4" (2 used)
	12H 303	(-)	Washer, lock, 5/16"
	14H 785	(-)	Nut, hex., 5/16"
7	PK 1245 H	(-)	Pad, pedal
8	U 16202 U	(-)	Clevis (2 used)
9	U 16201 U	(-)	Pin, clevis (2 used)
10	11H 206	(-)	Pin, cotter, 3/32" x 3/4" (4 used)
11	14H 826	(-)	Nut, hex., jam, 1/2" (2 used)
12	U 16195 U	(-)	Rod, clutch
13	AU 13507 U	(-)	Hub, lever, clutch
14	25H 154	(-)	Pin, groove, 3/8" x 2" (3 used)
15	AU 13505 U	(-)	Hub, lever, clutch
16	U 16207 U	(-)	Link, clutch (2 used)
17	P 46404 H	(-)	Pin, link (2 used) (sub. for L307T)
18	AU 13504 U	(-)	Lever, clutch

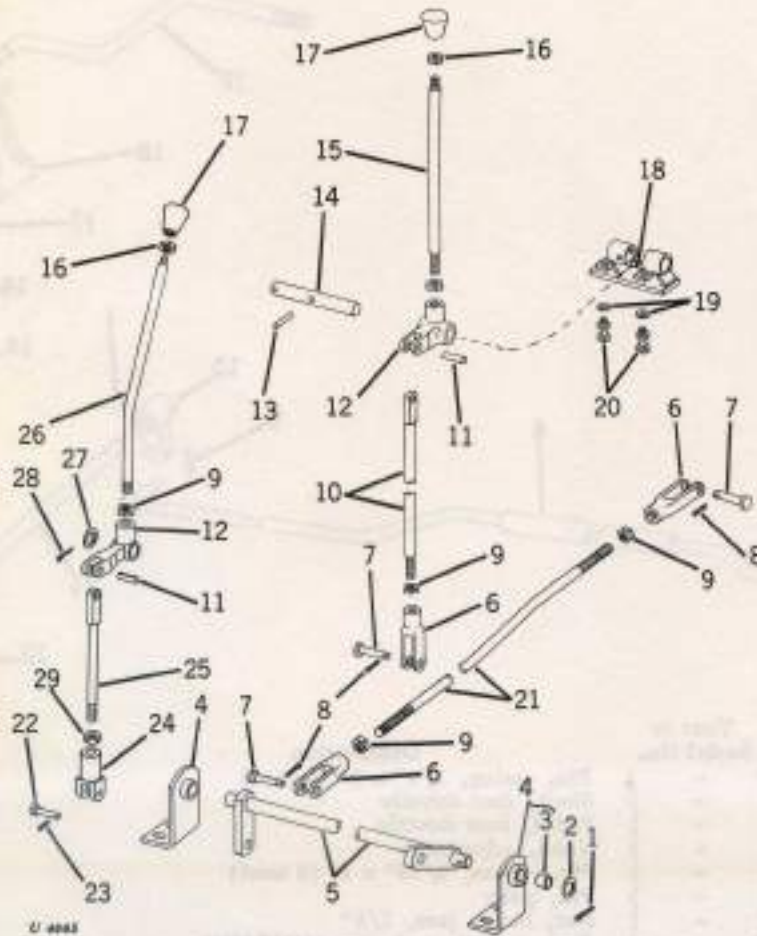
FOOT-OPERATED THROTTLE LINKAGE



U3464

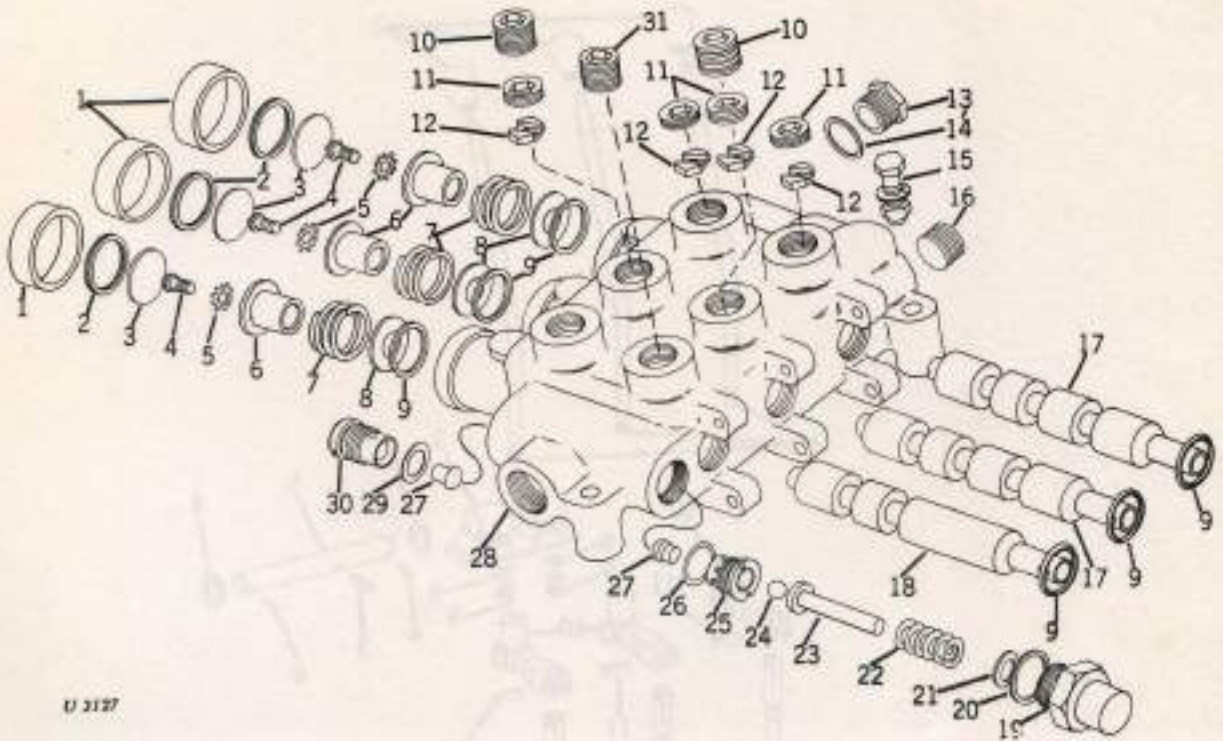
Key	Part No.	Year or Serial No.	Description
1	34H 60	(-)	Pin, spring, 1/4" x 2" (3 used)
2	U 16222 U	(-)	Shaft, foot throttle
3	AU 13515 U	(-)	Pedal, foot throttle
4	P 48494 H	(-)	Yoke, adjustable
5	11H 231	(-)	Pin, cotter, 1/16" x 1" (2 used)
6	P 48769 H	(-)	Pin, yoke
7	14H 774	(-)	Nut, hex., jam, 3/8"
8	AU 40293	(-)	Rod, throttle (sub. for AU13512U)
9	11H 233	(-)	Pin, cotter, 3/32" x 1/2" (3 used)
10	AU 13513 U	(-)	Lever, throttle
11	U 16217 U	(-)	Shaft, throttle
12	AU 13514 U	(-)	Crank, throttle
13	U 16218 U	(-)	Rod, operating, throttle
14	14H 649	(-)	Nut, hex., jam, 1/4"
15	L 4667 T	(-)	Pin, yoke
16	M 3742 T	(-)	Yoke
17	(-)	Lever, hand speed control operating (see foot-operated throttle control, PC-903, 2010 Wheel Tractor)
18	(-)	Bellcrank, foot operating rod (see foot-operated throttle control, PC-903, 2010 Wheel Tractor)
19	U 16272 U	(-)	Rod, throttle

DIRECTION REVERSER AND AUXILIARY VALVE LINKAGE



Key	Part No.	Year or Serial No.	Description
1	11H 224	(-)	Pin, cotter, 1/8" x 1-1/4" (2 used)
2	24H 1181	(-)	Washer, flat, 13/16" x 1-1/8" x .060" (2 used)
3	R 30713 R	(-)	Bushing, support bracket (2 used)
4	AU 13517 U	(-)	Bracket, support (2 used)
5	AU 13521 U	(-)	Shaft
6	U 16202 U	(-)	Clevis (3 used)
7	U 16201 U	(-)	Pin, clevis (3 used)
8	11H 206	(-)	Pin, cotter, 3/32" x 3/4" (3 used)
9	14H 826	(-)	Nut, hex., jam, 1/2" (5 used)
10	AU 13519 U	(-)	Rod, control, forward and reverse
11	34H 116	(-)	Pin, spring, 5/16" x 1"
12	U 10900 U	(-)	Mount, handle (2 used)
13	34H 103	(-)	Pin, spring, 1/4" x 1-1/4"
14	U 16238 U	(-)	Pin, lever, mounting
15	U 16236 U	(-)	Lever, forward and reverse
16	14H 849	(-)	Nut, hex., jam, 7/16" (2 used)
17	T 10342 T	(-)	Knob, control lever (2 used)
18	AU 40128	(-)	Frame, lever mounting (sub. for AU13518U)
19	24H 1301	(-)	Washer, flat, 13/32" x 9/16" x .060" (2 used)
20	19H 1731	(-)	Screw, cap, high-strength, 3/8" x 1" (2 used)
	12H 304	(-)	Washer, lock, 3/8"
21	U 16233 U	(-)	Rod, forward and reverse
22	U 20007 U	(-)	Pin, clevis
23	11H 266	(-)	Pin, cotter, 1/16" x 1/2"
24	U 10276 U	(-)	Clevis
25	AU 13516 U	(-)	Rod, control
26	U 16228 U	(-)	Handle, control
27	24H 1181	(-)	Washer, flat, 13/16" x 1-1/8" x .060"
28	11H 224	(-)	Pin, cotter, 1/8" x 1-1/4"
29	14H 732	(-)	Nut, hex., jam, 3/8"

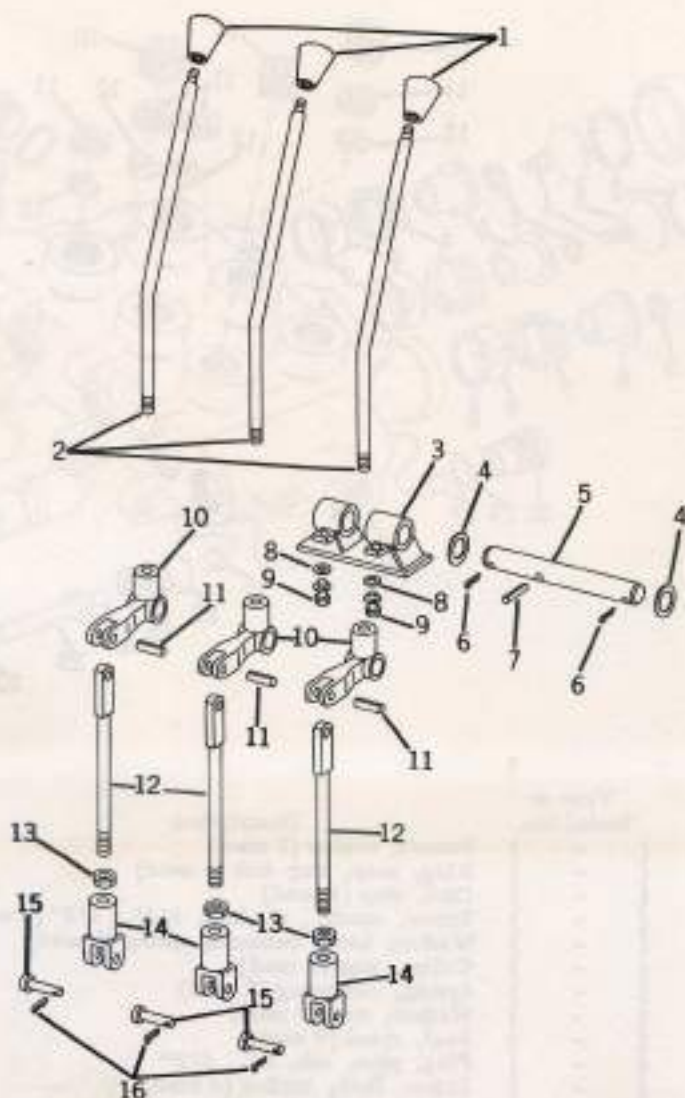
CONTROL VALVE



U 3127

Key	Part No.	Year or Serial No.	Description
1	T 10639 T	-	Bonnet, rubber (3 used)
2	T 10653 T	-	Ring, snap, stop disk (3 used)
3	T 10632 T	-	Disk, stop (3 used)
4	21H 1144	-	Screw, mach., rd. hd., 1/4" x 1/2" (3 used)
5	T 10662 T	-	Washer, lock, centering spring (3 used)
6	T 10631 T	-	Collar, stop (3 used)
7	T 10633 T	-	Spring, centering (3 used)
8	T 10642 T	-	Washer, stop (3 used)
9	T 10638 T	-	Seal, spool (6 used)
10	15H 624	-	Plug, pipe, csk. hd., 1/2"
11	U 15749 U	-	Screw, lock, orifice (4 used)
12	U 15748 U	-	Orifice, .070 (4 used)
13	T 10493 T	-	Plug
14	T 10494 T	-	Gasket
15	19H 1733	-	Screw, cap, high-strength, 3/8" x 2-1/2" (3 used)
	12H 304	-	Washer, lock, 3/8"
	14H 812	-	Nut, hex., 3/8"
	24H 1305	-	Washer, flat, 13/32" x 13/16" x .060"
16	15H 278	-	Plug, pipe, csk. hd., 3/4"
17	-	Spool, control valve (2 used) (sub. AU13217U)
18	-	Spool, control valve (sub. AU13217U)
19	U 15754 U	-	Body, relief valve
20	T 10654 T	-	Gasket, body, relief valve
21	T 10562 T	-	Shim, body (use as required)
22	U 15753 U	-	Spring, relief valve
23	U 15752 U	-	Spacer, spring, ball seat
24	U 13617 U	-	Ball, relief valve
25	U 13614 U	-	Seat, relief valve
26	T 12047 T	-	O-ring, relief valve seat
27	U 13616 U	-	Check (2 used)
28	-	Housing, relief valve (sub. AU13217U)
29	T 12048 T	-	O-ring, check plug
30	U 13613 U	-	Plug, check
31	15H 624	-	Plug, pipe, csk. hd., 1/2"
..	AU 13217 U	-	Valve, control, complete

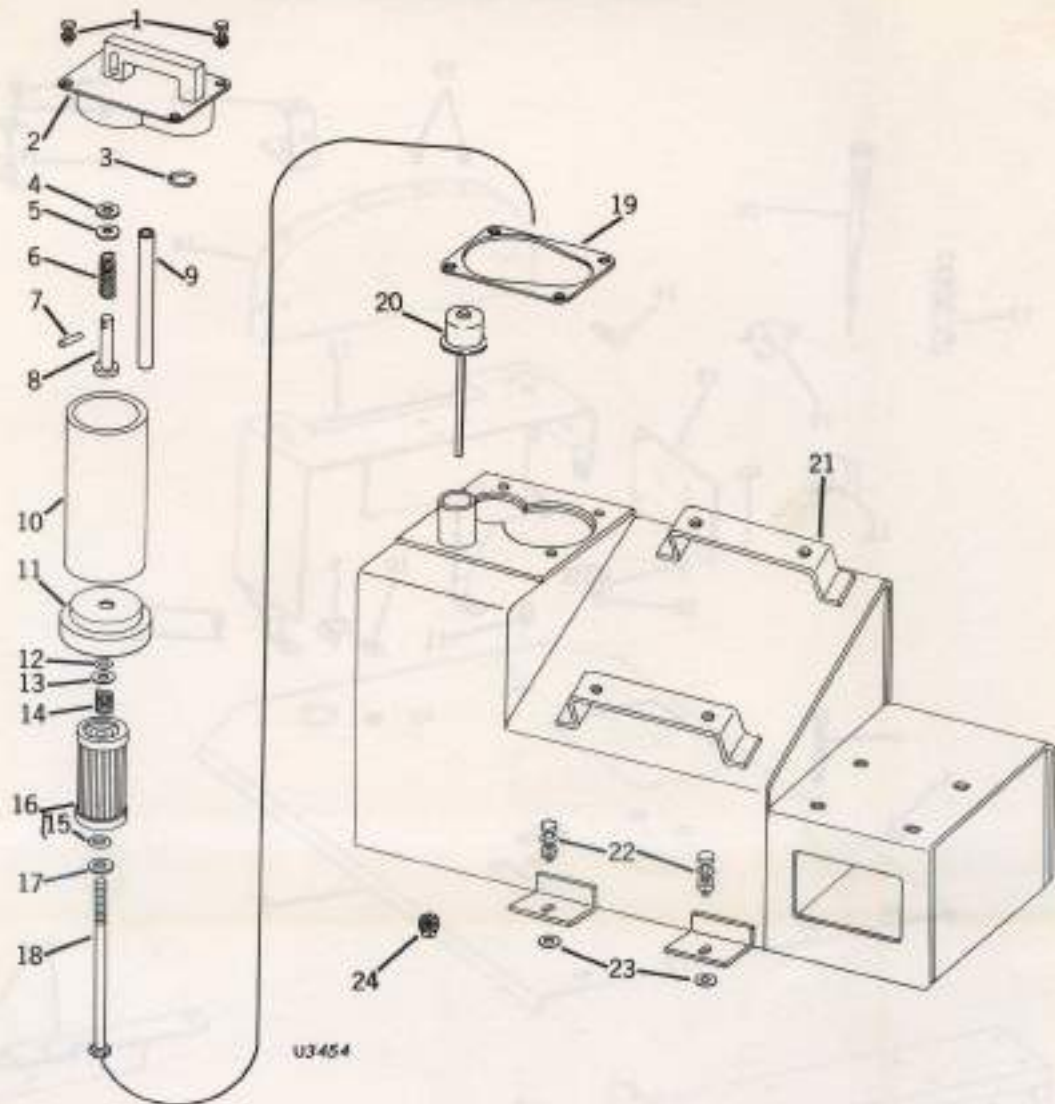
CONTROL VALVE LINKAGE



U 3458

Key	Part No.	Year or Serial No.	Description
1	T 10342 T	(-)	Knob, control lever (3 used)
2	U 16228 U	(-)	Lever, control (3 used)
3	AU 40128 U	(-)	Frame, lever mounting (sub. for AU13518U)
4	24H 1181	(-)	Washer, flat, 13/16" x 1-1/8", x .060" (2 used)
5	U 16230 U	(-)	Pin, lever mounting
6	11H 224	(-)	Pin, cotter, 1/8" x 1-1/4" (2 used)
7	34H 103	(-)	Pin, spring, 1/4" x 1-1/4"
8	24H 1305	(-)	Washer, flat, 13/32" x 13/16" x .060" (2 used)
9	19H 1731	(-)	Screw, cap, high-strength, 3/8" x 1" (2 used)
	12H 304	(-)	Washer, lock, 3/8"
10	U 10900 U	(-)	Mount, handle (3 used)
11	34H 116	(-)	Pin, spring, 5/16" x 1" (3 used)
12	AU 13516 U	(-)	Rod, control (3 used)
13	14H 732	(-)	Nut, hex., jam, 3/8" (3 used)
14	U 10276 U	(-)	Clevis (3 used)
15	U 20007 U	(-)	Pin, clevis (3 used)
16	11H 266	(-)	Pin, cotter, 1/16" x 1/2" (3 used)

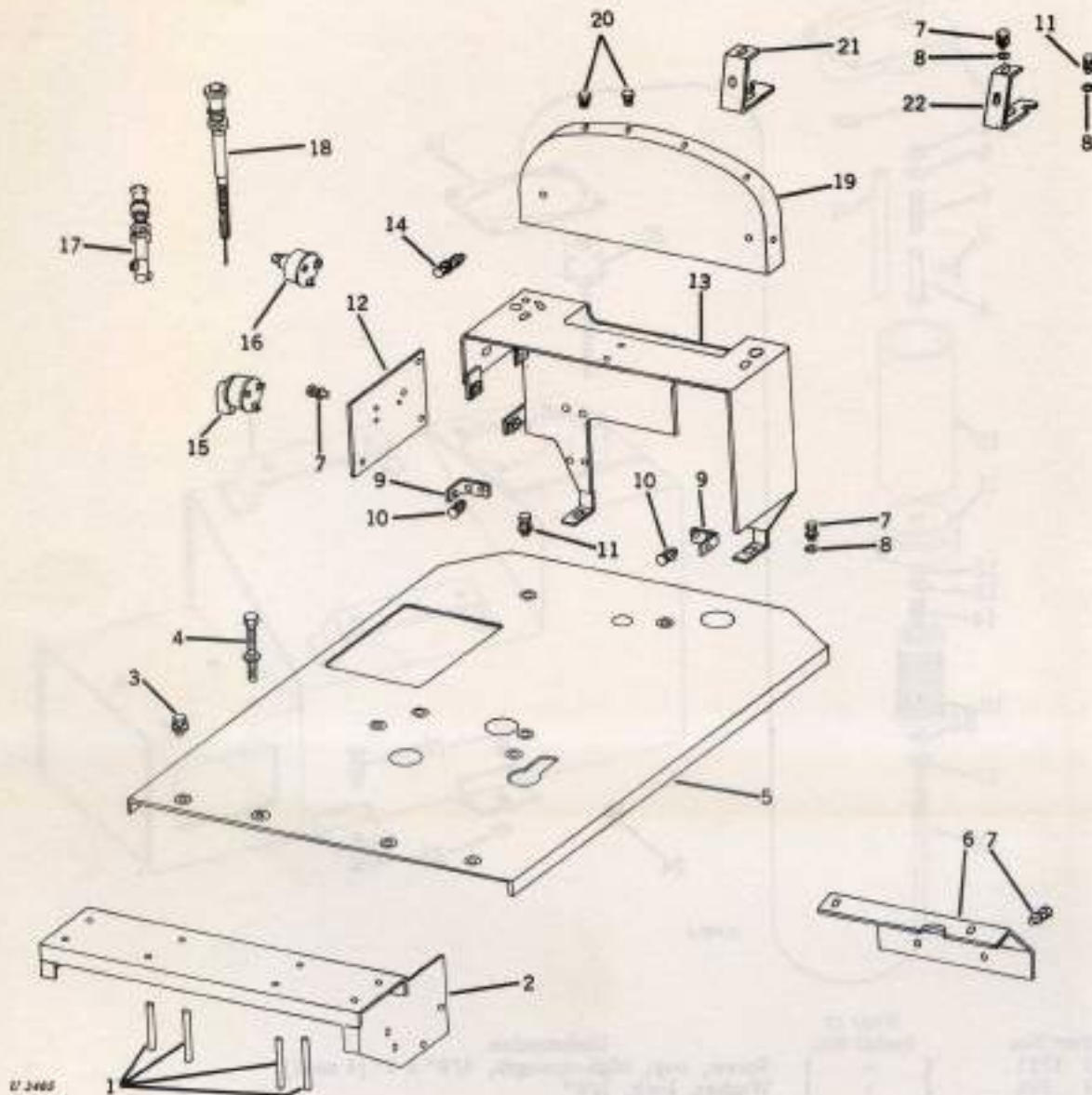
RESERVOIR AND OIL FILTER



U3454

Key	Part No.	Year or Serial No.	Description
1	19H 1731 12H 304	-	Screw, cap, high-strength, 3/8" x 1" (4 used)
2	U 12592 U	-	Washer, lock, 3/8"
3	R 460 R	-	Cap, reservoir filter
4	U 12605 U	-	O-ring, inlet tube
5	24H 1227	-	Seal, indicator piston
6	U 12595 U	-	Washer, flat, 17/32" x 13/16" x .060"
7	34H 184	-	Spring, indicator
8	U 12594 U	-	Pin, spring, 1/8" x 1-1/8"
9	28H 2213	-	Piston, indicator, filter condition
10	U 12610 U	-	Spacer, 3/8" x 6-1/2"
11	U 14868 U	-	Element, filter, inlet
12	U 10778 U	-	Baffle
13	24H 1379	-	O-ring
14	U 13965 U	-	Washer, flat, 11/16" x 1-3/4" x .036"
15	U 12037 U	-	Spring, filter
16	AU 11215 U	-	O-ring, outlet filter
17	24H 1176	-	Element, filter, outlet
18	8H 4109	-	Washer, flat, 13/32" x 1-1/4" x .090"
19	U 12603 U	-	Bolt, mach., high-strength, 3/8" x 7-1/2"
20	AP 21910 H	-	Seal, filter cap
21	AU 13538 U	-	Dipstick
22	19H 1732 12H 304	-	Reservoir, less oil filter
	14H 812	-	Screw, cap, high-strength, 3/8" x 1-1/4" (4 used)
23	24H 1301	-	Washer, lock, 3/8"
24	U 13408 U	-	Nut, hex., 3/8"
		-	Washer, flat, 13/32" x 9/16" x .060" (4 used)
		-	Plug, magnetic pipe

FLOOR AND COWL SUPPORT

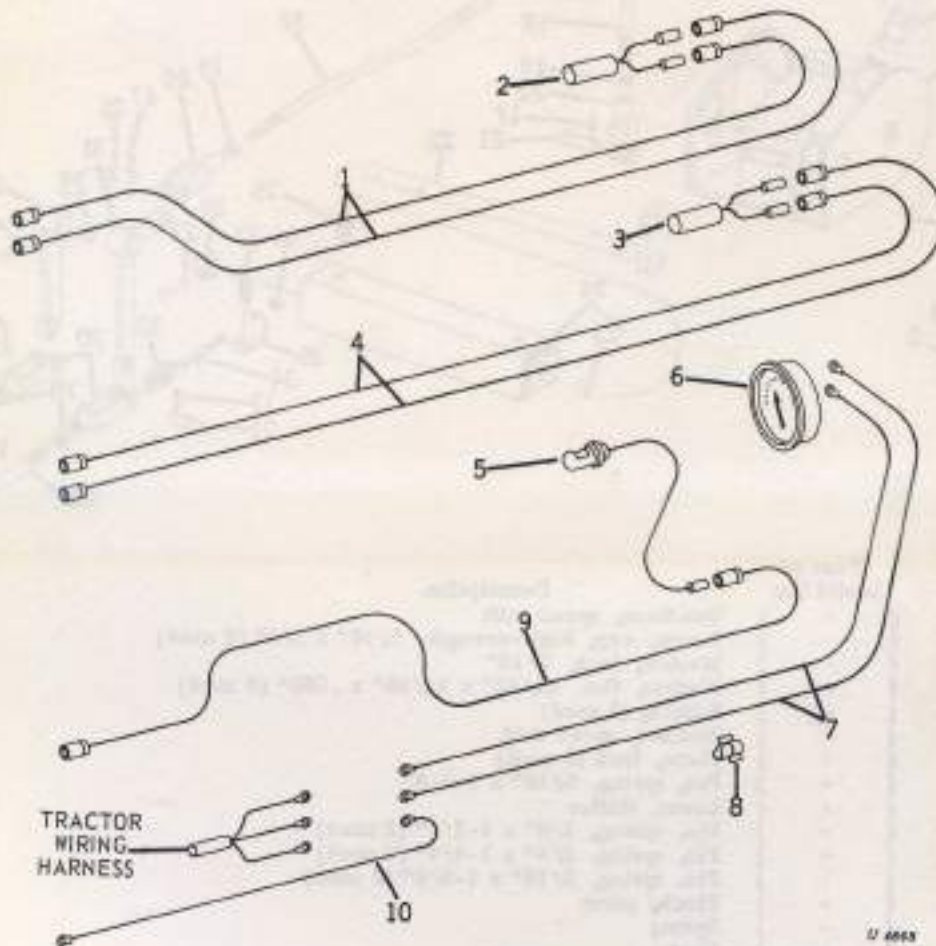


Key	Part No.	Year or Serial No.	Description
1	28H 2099	-	Spacer, 3/8" x 3-7/8" (4 used)
2	AU 13713 U	-	Support, floor, center
3	19H 1731	-	Screw, cap, high-strength, 3/8" x 1" (4 used)
	12H 304	-	Washer, lock, 3/8"
4	19H 2054	-	Screw, cap, high-strength, 3/8" x 4-3/4" (4 used)
5	U 16248 U	-	Floor, rear
6	U 16249 U	-	Support, floor, rear
7	19H 1792	-	Screw, cap, high-strength, 1/2" x 1" (2 used)
	12H 301	-	Washer, lock, 1/2"
8	24H 1301	-	Washer, flat, 13/32" x 9/16" x .060" (6 used)
9	T 14294 T	-	Bracket (2 used)
10	19H 1900	-	Screw, cap, high-strength, 5/16" x 3/4" (2 used)
	12H 303	-	Washer, lock, 5/16"
11	19H 1732	-	Screw, cap, high-strength, 3/8" x 1-1/4" (6 used)
	12H 304	-	Washer, lock, 3/8"
12	U 16182 U	-	Plate, light switch
13	AU 13498 U	-	Cowl support and heat shield
14	19H 1919	-	Screw, cap, high-strength, 1/4" x 5/8" (2 used)
	12H 302	-	Washer, lock, 1/4"
	14H 786	-	Nut, hex., 1/4"
15	-	Switch, light (see Switches, PC-903, 2010 Wheel Tractor)
16	-	Switch, ignition (see Switches, PC-903, 2010 Wheel Tractor)

FLOOR AND COWL SUPPORT -- Continued

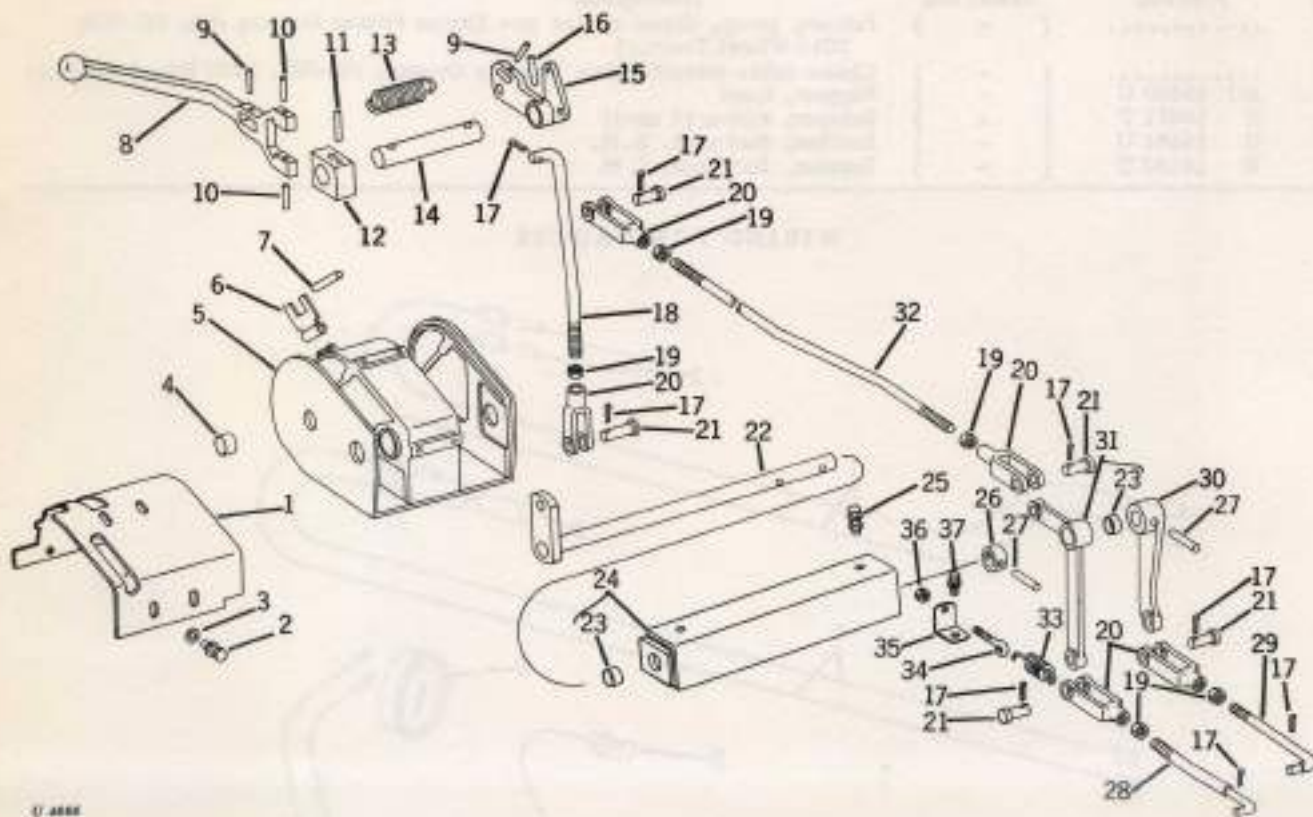
Key	Part No.	Year or Serial No.	Description
17	(-)	Primer, pump, diesel engine (see Engine Primer Starting Aid, PC-903, 2010 Wheel Tractor)
18	(-)	Choke cable assembly (see Throttle Control, PC-903, 2010 Wheel Tractor)
19	AU 13499 U	(-)	Support, hood
20	T 14671 T	(-)	Bumper, rubber (4 used)
21	U 16181 U	(-)	Bracket, fuel tank, R.H.
22	U 16180 U	(-)	Bracket, fuel tank, L.H.

WIRING FOR GAUGES



Key	Part No.	Year or Serial No.	Description
1	(-)	Wire, generator (2 used) (one piece 90" R32007 with one R32024R female blade terminal and one R32025R male blade terminal)
2	(-)	Lamp, indicator, generator (see Electrical Gauges, PC-903, 2010 Wheel Tractor)
3	(-)	Lamp, indicator, oil pressure (see Electrical Gauges, PC-903, 2010 Wheel Tractor)
4	(-)	Wire, oil pressure (2 used) (one piece 90" R32007R with one R32024R female blade terminal and one R32025R male blade terminal)
5	(-)	Light, dash (see Dash Light, PC-903, 2010 Wheel Tractor)
6	(-)	Gauge, fuel (see Electrical Gauges, PC-903, 2010 Wheel Tractor)
7	(-)	Wire, fuel gauge (2 used) (one piece 98" R32007R with two R32018R eyelet terminals)
8	U 14579 U	(-)	Clip, wire
9	(-)	Wire, dash light (one piece 96" R32007R with one R32024R female blade terminal and one R32025R male blade terminal)
10	(-)	Wire, sender, fuel gauge (one piece, 32" R32007R with two R32018R eyelet terminals)

TRANSMISSION SHIFTER LINKAGE



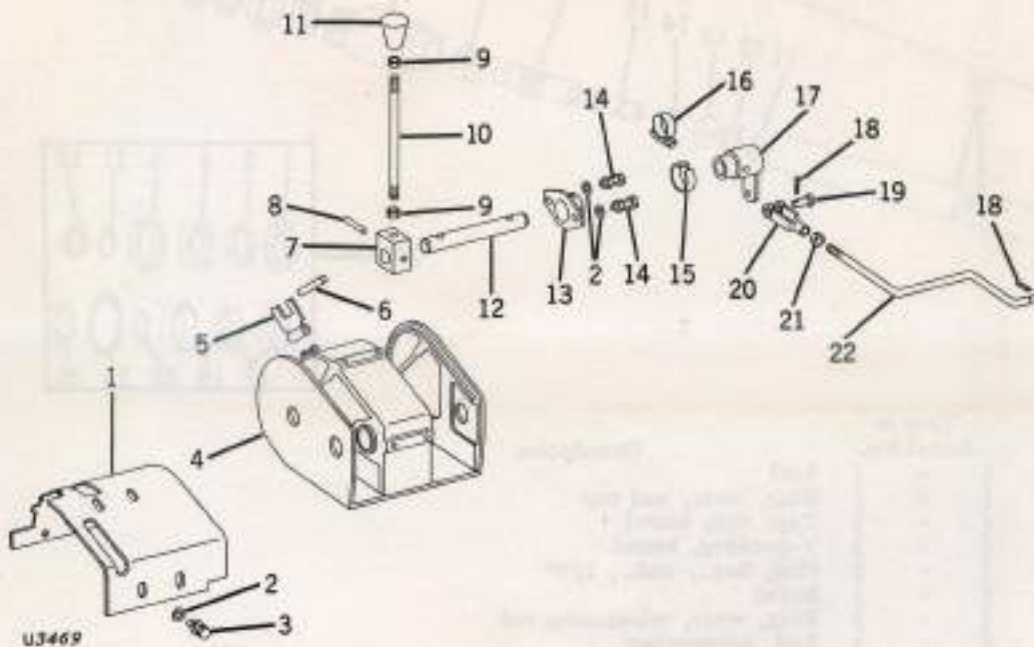
U 4444

Key	Part No.	Year or Serial No.	Description
1	U 16277 U	(-)	Quadrant, speed shift
2	19H 1900	(-)	Screw, cap, high-strength, 5/16" x 3/4" (6 used)
	12H 303	(-)	Washer, lock, 5/16"
3	24H 1136	(-)	Washer, flat, 11/32" x 11/16" x .060" (6 used)
4	E 15964 E	(-)	Bushing (2 used)
5	U 16276 U	(-)	Bracket, speed shift
6	AU 13526 U	(-)	Plate, lock (2 used)
7	34H 192	(-)	Pin, spring, 5/16" x 1-5/8"
8	U 16274 U	(-)	Lever, shifter
9	34H 47	(-)	Pin, spring, 1/8" x 1-1/4" (2 used)
10	34H 114	(-)	Pin, spring, 1/4" x 3-1/4" (2 used)
11	34H 192	(-)	Pin, spring, 5/16" x 1-5/8" (2 used)
12	U 16255 U	(-)	Block, pivot
13	Y 5506 B	(-)	Spring
14	U 16260 U	(-)	Shaft
15	U 16275 U	(-)	Crank, speed shift
16	34H 118	(-)	Pin, spring, 5/16" x 1-1/2"
17	11H 206	(-)	Pin, cotter, 3/32" x 3/4" (8 used)
18	AU 13525 U	(-)	Rod, speed shift
19	14H 826	(-)	Nut, hex., jam, 1/2" (5 used)
20	U 16202 U	(-)	Clevis (5 used)
21	U 16201 U	(-)	Pin, clevis (5 used)
22	AU 13531 U	(-)	Shaft, speed shift
23	R 30713 R	(-)	Bushing (4 used)
24	AU 13528 U	(-)	Bracket, cross shaft
25	19H 1936	(-)	Screw, cap, high-strength, 3/8" x 3/4" (2 used)
	12H 304	(-)	Washer, lock, 3/8"
	14H 812	(-)	Nut, hex., 3/8"

TRANSMISSION SHIFTER LINKAGE -- Continued

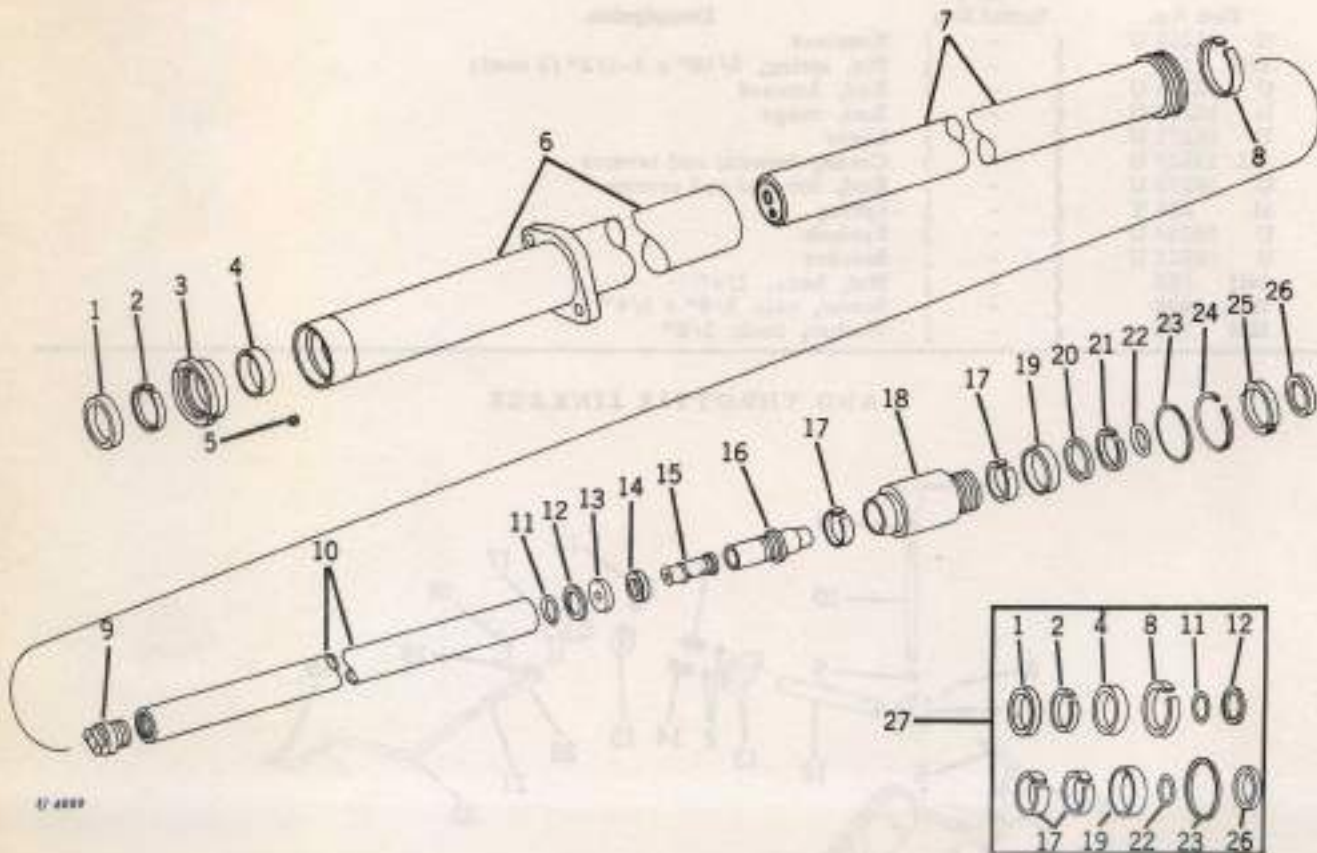
Key	Part No.	Year or Serial No.	Description
26	U 16266 U	(-)	Retainer
27	34H 118	(-)	Pin, spring, 5/16" x 1-1/2" (2 used)
28	U 16263 U	(-)	Rod, forward
29	U 16267 U	(-)	Rod, range
30	U 16271 U	(-)	Lever
31	AU 13527 U	(-)	Crank, forward and reverse
32	U 16233 U	(-)	Rod, forward and reverse
33	M 226 T	(-)	Spring
34	U 16510 U	(-)	Eyebolt
35	U 16511 U	(-)	Bracket
36	14H 786	(-)	Nut, hex., 1/4"
37	19H 1936	(-)	Screw, cap, 3/8" x 3/4"
	12H 304	(-)	Washer, lock, 3/8"

HAND THROTTLE LINKAGE



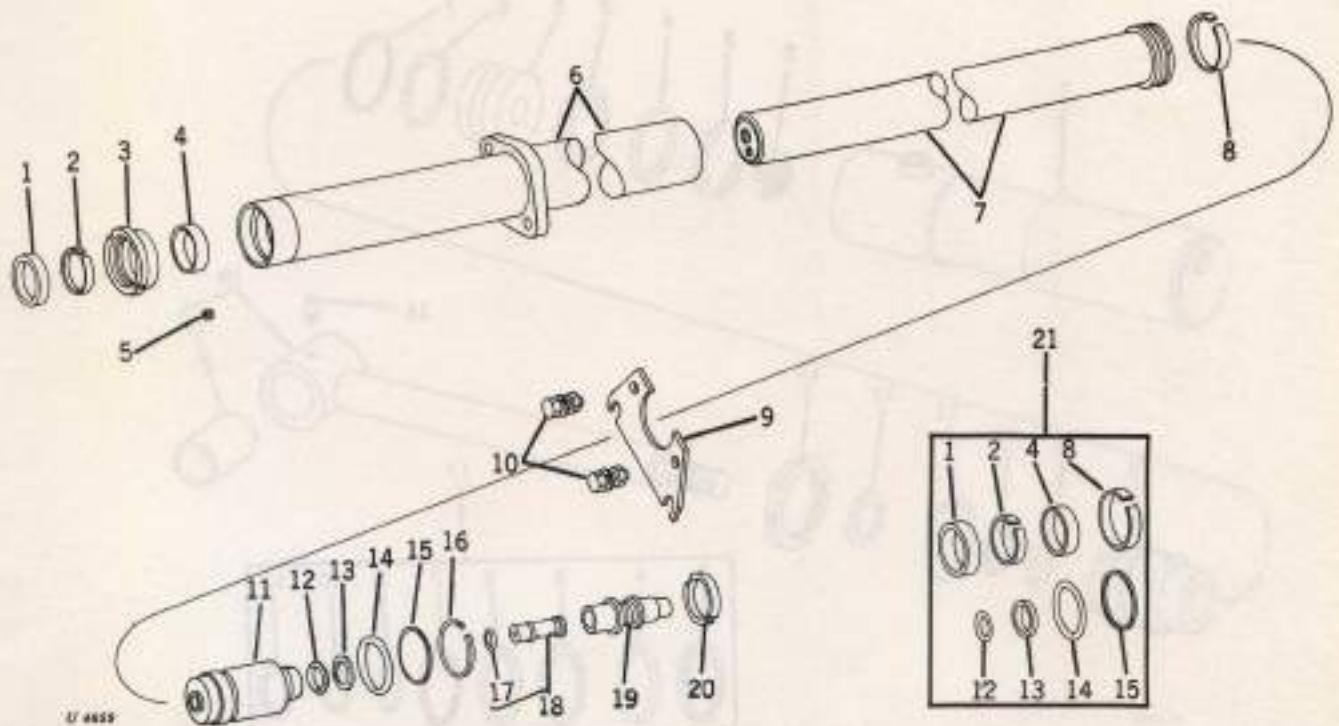
Key	Part No.	Year or Serial No.	Description
1	U 16277 U	(-)	Quadrant, speed shift
2	24H 1136	(-)	Washer, flat, 11/32" x 11/16" x .060" (8 used)
3	19H 1900	(-)	Screw, cap, high-strength, 5/16" x 3/4" (6 used)
	12H 303	(-)	Washer, lock, 5/16"
4	U 16276 U	(-)	Bracket, speed shift
5	AU 13526 U	(-)	Plate, lock (2 used)
6	34H 192	(-)	Pin, spring, 5/16" x 1-5/8"
7	U 16254 U	(-)	Mount, handle
8	34H 105	(-)	Pin, spring, 1/4" x 1-1/2"
9	14H 849	(-)	Nut, hex., jam, 7/16"
10	U 16257 U	(-)	Handle, throttle
11	T 10342 T	(-)	Knob
12	U 16250 U	(-)	Shaft, throttle control
13	AU 13529 U	(-)	Lock, throttle
14	19H 1813	(-)	Screw, cap, high-strength, 5/16" x 5/8" (2 used)
	12H 303	(-)	Washer, lock, 5/16"
15	AU 40258	(-)	Band, brake, asbestos (sub. for U16258U)
16	AT 11384 T	(-)	Clamp, hose
17	AU 13524 U	(-)	Drum, brake, control lever
18	11H 206	(-)	Pin, cotter, 3/32" x 3/4" (2 used)
19	P 46404 H	(-)	Pin (sub. for L307T)
20	L 299 T	(-)	Clevis
21	14H 882	(-)	Nut, hex., jam, 5/16"
22	U 16272 U	(-)	Rod, throttle

LIFT CYLINDER FOR TWENTY ONE-FOOT MAST



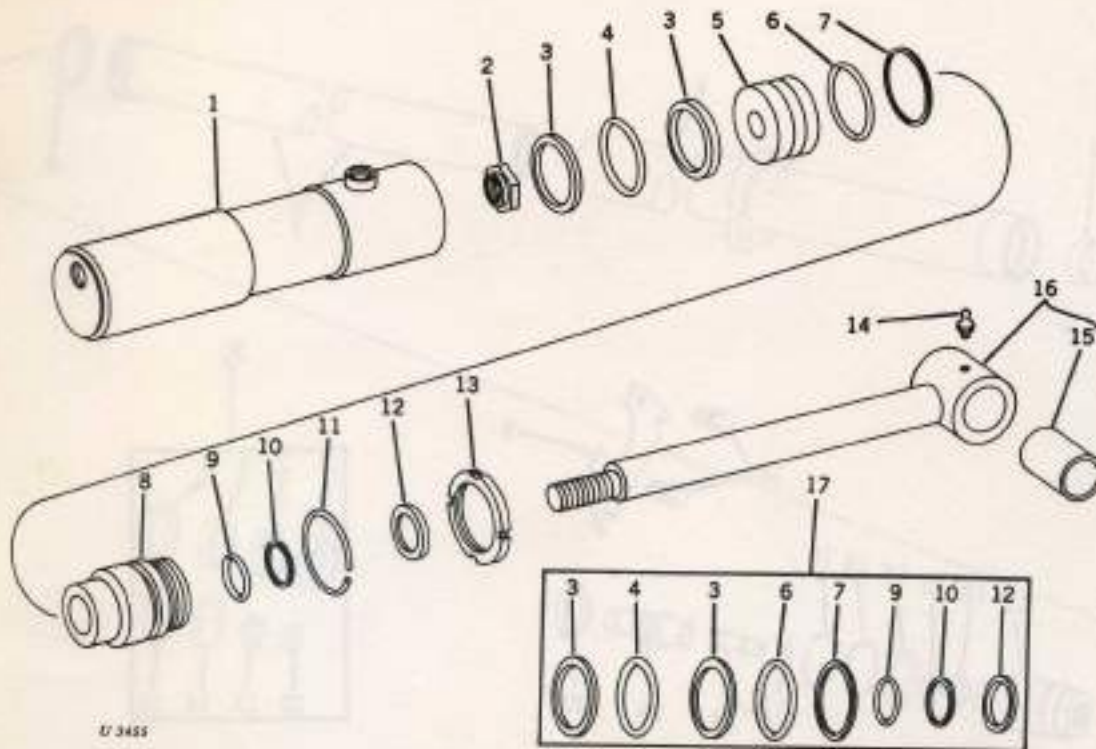
Key	Part No.	Year or Serial No.	Description
1	U 16386 U	-	Seal
2	U 16397 U	-	Ring, wear, end cap
3	U 16388 U	-	Cap, end, barrel
4	U 16390 U	-	V-packing, barrel
5	15H 559	-	Plug, hex., ctsk., 1/4"
6	AU 13606 U	-	Barrel
7	U 16387 U	-	Ring, wear, telescoping rod
8	AU 13606 U	-	Rod, telescoping
9	U 16446 U	-	Cap, stationary rod
10	U 16394 U	-	Rod, stationary
11	T 11220 T	-	O-ring, stationary rod
12	U 16435 U	-	Washer, backup, stationary rod
13	U 16389 U	-	Spacer
14	P 51079 H	-	O-ring, flow regulator
15	AU 12784 U	-	Regulator, flow
16	U 16393 U	-	Support, nut
17	U 16379 U	-	Ring, wear, rod guide (2 used)
18	U 16396 U	-	Guide, rod
19	U 12973 U	-	V-packing, rod guide
20	U 16456 U	-	Support, V-packing
21	W 11229 W	-	Ring, snap
22	L 2301 CU	-	O-ring, rod guide
23	L 2309 CU	-	Washer, backup, rod guide
24	L 2300 CU	-	Ring, snap, rod guide
25	U 16392 U	-	Nut, spanner
26	U 11022 U	-	Seal, wiper
27	AU 13750 U	-	Kit, repair, cylinder
..	AU 13609 U	-	Cylinder, lift, complete, 21'

LIFT CYLINDER FOR FOURTEEN-FOOT MAST



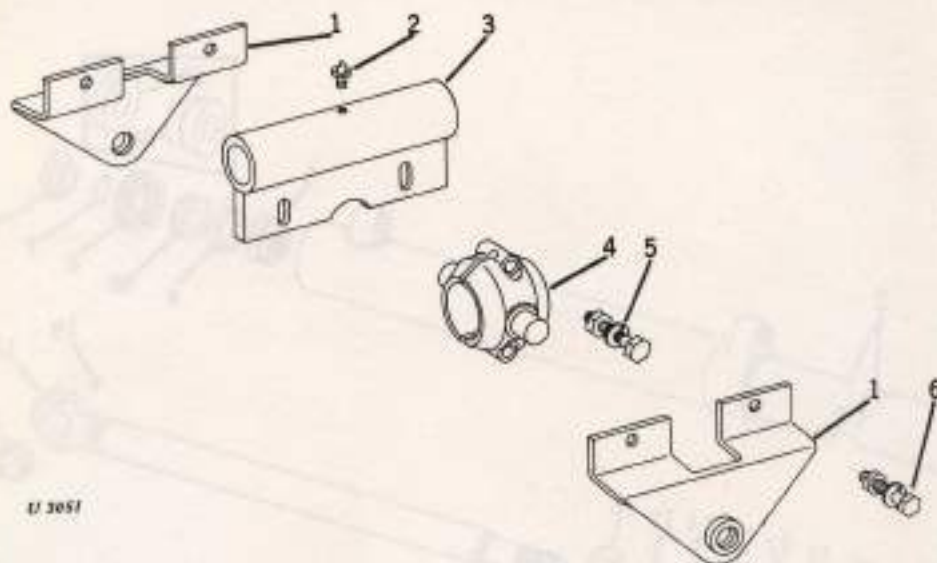
Key	Part No.	Year or Serial No.	Description
1	U 16386 U	(-)	Seal
2	U 16397 U	(-)	Ring, wear, end cap
3	U 16388 U	(-)	Cap, end, barrel
4	U 16390 U	(-)	V-packing, barrel
5	15H 559	(-)	Plug, hex., ctk., 1/4"
6	AU 13606 U	(-)	Barrel
7	U 16387 U	(-)	Ring, wear, telescoping rod
8	AU 13606 U	(-)	Rod, telescoping
9	U 16345 U	(-)	Lock, cylinder
10	19H 1782	(-)	Screw, cap, high-strength, 3/4" x 2-1/4" (2 used)
	12H 236	(-)	Washer, lock, 3/4"
	14H 794	(-)	Nut, hex., 3/4"
11	U 16395 U	(-)	Guide, rod
12	T 11220 T	(-)	O-ring, rod guide, interior
13	U 16435 U	(-)	Washer, backup, rod guide, interior
14	L 2301 CU	(-)	O-ring, rod guide, exterior
15	L 2309 CU	(-)	Washer, backup, rod guide, exterior
16	L 2300 CU	(-)	Ring, snap, rod guide
17	P 51709 H	(-)	O-ring, flow regulator
18	AU 12784 U	(-)	Regulator, flow
19	U 16393 U	(-)	Support, nut
20	U 16392 U	(-)	Nut, spanner
21	AU 13749 U	(-)	Kit, repair, cylinder
..	AU 13610 U	(-)	Cylinder, lift, 14', complete

SIDE-SHIFT CYLINDER



Key	Part No.	Year or Serial No.	Description
1	AU 13659 U	-	Head and barrel assembly
2	U 10368 U	-	Nut, lock
3	N 33200 N	-	Washer, backup (2 used)
4	L 2104 N	-	O-ring
5	U 14917 U	-	Piston
6	F 1870 R	-	O-ring
7	U 13461 U	-	Washer, backup
8	U 10307 U	-	Guide, rod
9	R 29463 R	-	O-ring
10	U 10064 U	-	Washer, backup
11	U 10197 U	-	Ring, snap
12	L 1937 C	-	Seal, wiper
13	U 10290 U	-	Nut, spanner
14	JD 7759	-	Fitting, grease, straight, 1/8"
15	U 10052 U	-	Bushing
16	AU 13657 U	-	Rod, piston
17	AU 13772 U	-	Kit, repair, cylinder
..	AU 13656 U	-	Cylinder, side-shift, complete

MOUNTING PARTS FOR SIDE-SHIFT CYLINDER



U 3051

Key	Part No.	Year or Serial No.	Description
1	AU 13173 U	(-)	Bracket, mounting (2 used)
2	JD 7759	(-)	Fitting, grease, straight, 1/8"
3	AU 13174 U	(-)	Plate, mounting
4	U 15641 U	(-)	Clamp, mounting
5	19H 1930	(-)	Screw, cap, high-strength, 1/2" x 2-1/2" (2 used)
	12H 301	(-)	Washer, lock, 1/2"
	14H 809	(-)	Nut, hex., 1/2"
6	19H 1831	(-)	Screw, cap, high-strength, 1/2" x 2" (2 used)
	12H 301	(-)	Washer, lock, 1/2"
	14H 809	(-)	Nut, hex., 1/2"

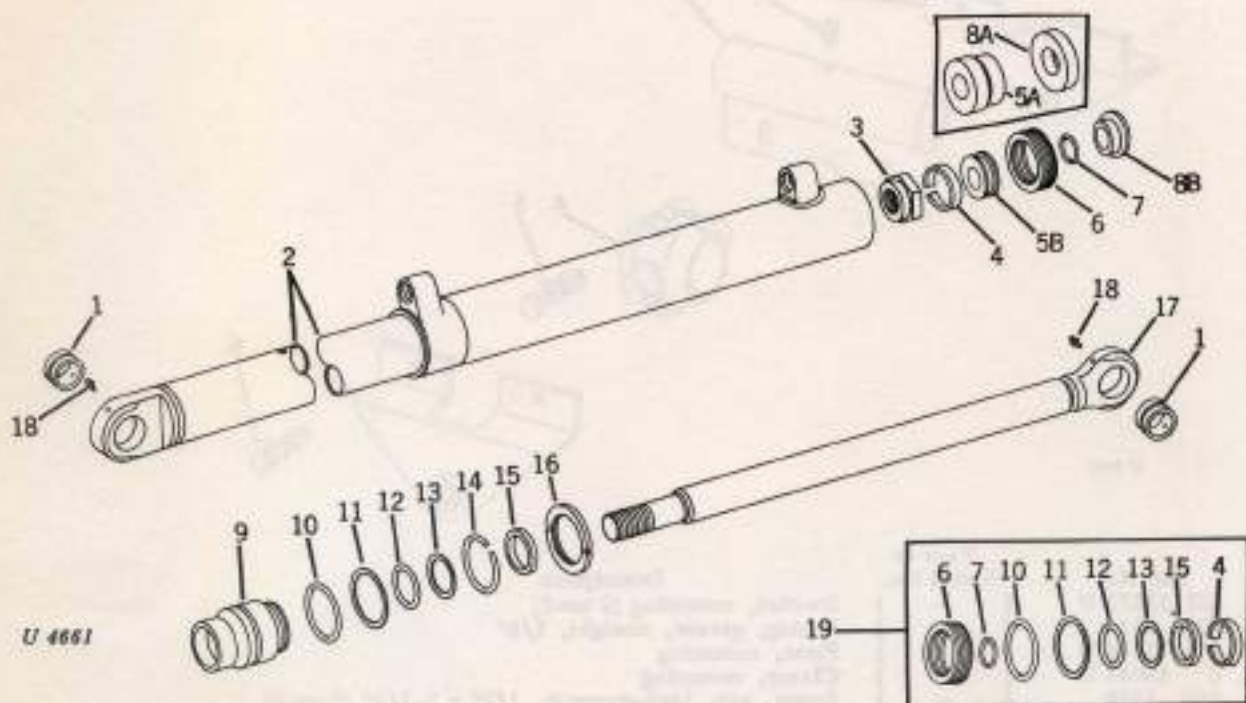
DECALCOMANIAS, WARNING PLATE, AND OPERATOR'S MANUAL



U 3873

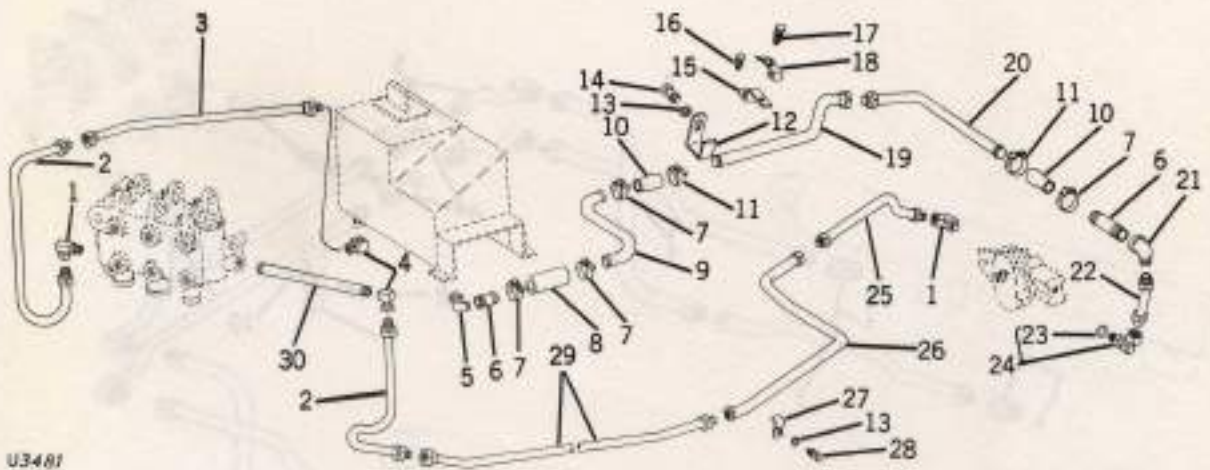
Key	Part No.	Year or Serial No.	Description
1	T 19635 T	(-)	Manual, operator's
2	U 16543 U	(-)	Plate, warning, for 14' mast
	U 16544 U	(-)	Plate, warning, for 21' mast
3	T 10671 T	(-)	Screw, sheet metal, no. 8 x 3/8" (4 used)
4	U 16550 U	(-)	Decalcomania, gear shift lever
5	U 16549 U	(-)	Decalcomania, forward and reverse lever
6	U 16547 U	(-)	Decalcomania, lift lever
7	U 16546 U	(-)	Decalcomania, tilt lever
8	U 16548 U	(-)	Decalcomania, side-shift lever

TILT CYLINDER



Key	Part No.	Year or Serial No.	Description
1	U 15747 U	(-)	Bushing, pivot (2 used)
	U 14962 U	(-)	Bushing, ball, self-aligning (used only with side shift cylinder) (2 used)
2	AU 13230 U	(-)	Barrel and extension
3	U 13572 U	(-)	Nut, elastic stop
4	U 17336 U	(-)	Ring, wear
5A	U 13558 U	(-)	Piston
5B	U 17341 U	(-)	Retainer, piston
6	U 12973 U	(-)	V-packing
7	A 3606 R	(-)	O-ring
8A	U 13557 U	(-)	Retainer, packing
8B	U 17344 U	(-)	Piston
9	U 12199 U	(-)	Guide, rod
10	U 12198 U	(-)	O-ring
11	U 13457 U	(-)	Washer, backup
12	A 4540 R	(-)	O-ring
13	U 12332 U	(-)	Washer, backup
14	U 13570 U	(-)	Ring, snap
15	U 10296 U	(-)	Seal, wiper
16	U 13566 U	(-)	Nut, spanner
17	AU 13227 U	(-)	Rod, piston
18	JD 7759	(-)	Fitting, grease, straight, 1/8"
19	AU 14253 U	(-)	Kit, repair, cylinder (sub. for AU12151U)
..	AU 13232 U	(-)	Cylinder, tilt, complete (less bushings) (2 used)

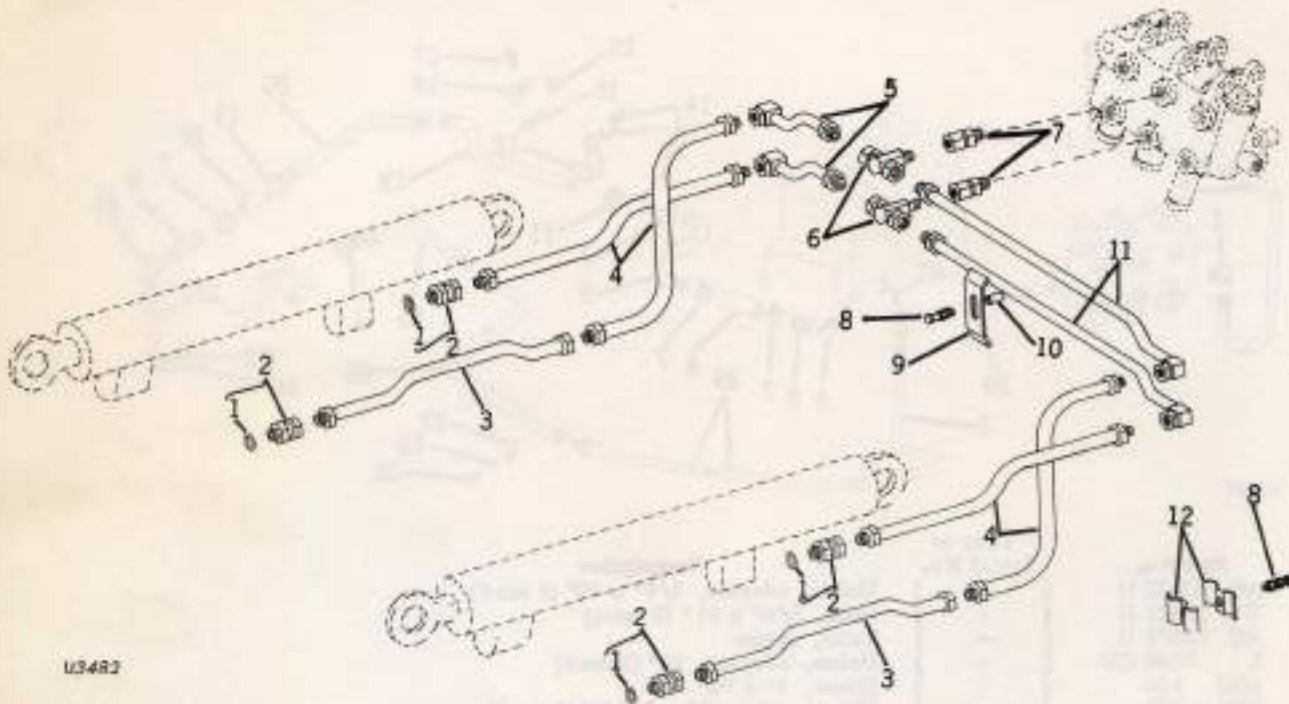
OIL LINES AND FITTINGS - PRESSURE AND RETURN CIRCUIT



U3481

Key	Part No.	Year or Serial No.	Description
1	AP 23222 H	-	Union, adapter, 3/4" x 90° (2 used)
2	U 10421 U	-	Hose, 3/4" x 21" (2 used)
3	AU 13673 U	-	Tube, return
4	L 2296 CU	-	Union, adapter, 90° (2 used)
5	15H 100	-	Elbow, 1" x 90°
6	29H 581	-	Nipple, pipe, 1" x 2-1/4" (2 used)
7	AR 21839 R	-	Clamp, hose (4 used)
8	L 2033 CU	-	Hose, coupling
9	U 16286 U	-	Tube, suction
10	U 15441 U	-	Hose, suction (2 used)
11	AR 21840 R	-	Clamp, hose (2 used)
12	U 15436 U	-	Clamp, tube
13	24H 1375	-	Washer, flat, 11/16" x 1-1/8" x .060" (2 used)
14	19H 1916	-	Screw, cap, high-strength, 5/8" x 1"
	12H 294	-	Washer, lock, 5/8"
15	U 15437 U	-	Clamp, tube
16	19H 1741	-	Screw, cap, high-strength, 1/2" x 1-1/8"
	12H 301	-	Washer, lock, 1/2"
17	19H 1726	-	Screw, cap, high-strength, 3/8"
	12H 304	-	Washer, lock, 3/8"
	14H 812	-	Nut, hex., 3/8"
18	U 15434 U	-	Clamp, tube
19	AU 13028 U	-	Tube, suction
20	AU 13023 U	-	Tube, suction
21	15H 413	-	Elbow, reducing, 3/4" x 1"
22	AU 13676 U	-	Tube, suction
23	U 12054 U	-	O-ring
24	AU 13670 U	-	Union, adapter, 7/8" x 45°
25	AU 13024 U	-	Tube, pressure
26	AU 13025 U	-	Tube, pressure
27	U 15435 U	-	Clamp, tube
28	19H 1708	-	Screw, cap, high-strength, 5/8" x 1-3/4"
	12H 294	-	Washer, lock, 5/8"
	14H 760	-	Nut, hex., 5/8"
29	AU 13675 U	-	Tube, pressure
30	29H 695	-	Nipple, pipe, 3/4" x 15-1/2"

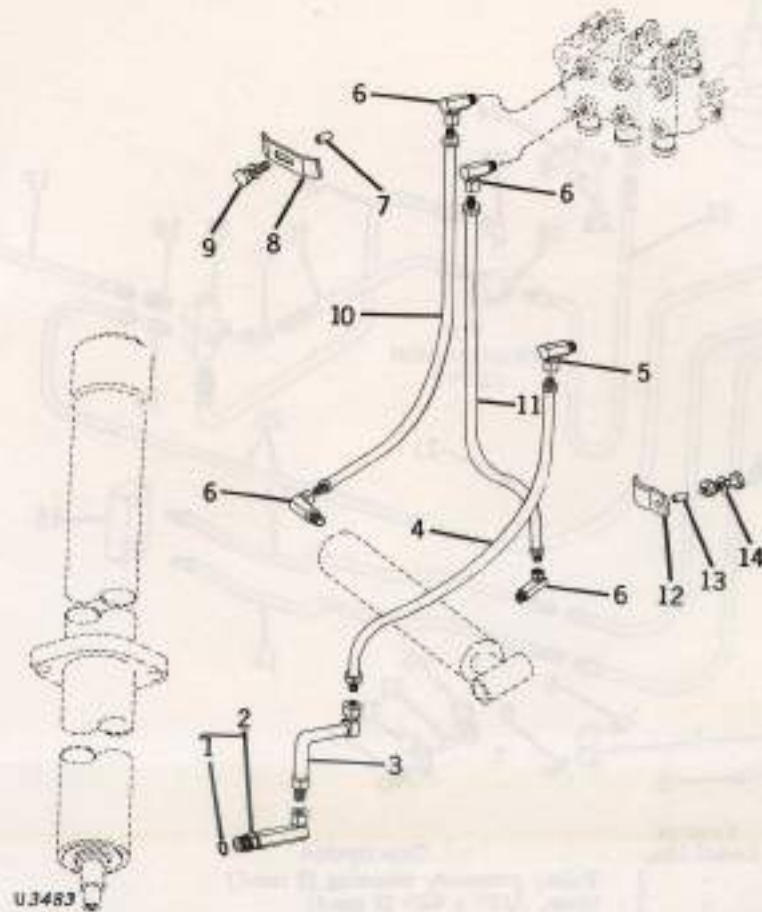
OIL LINES AND FITTINGS - TILT CIRCUIT



U3482

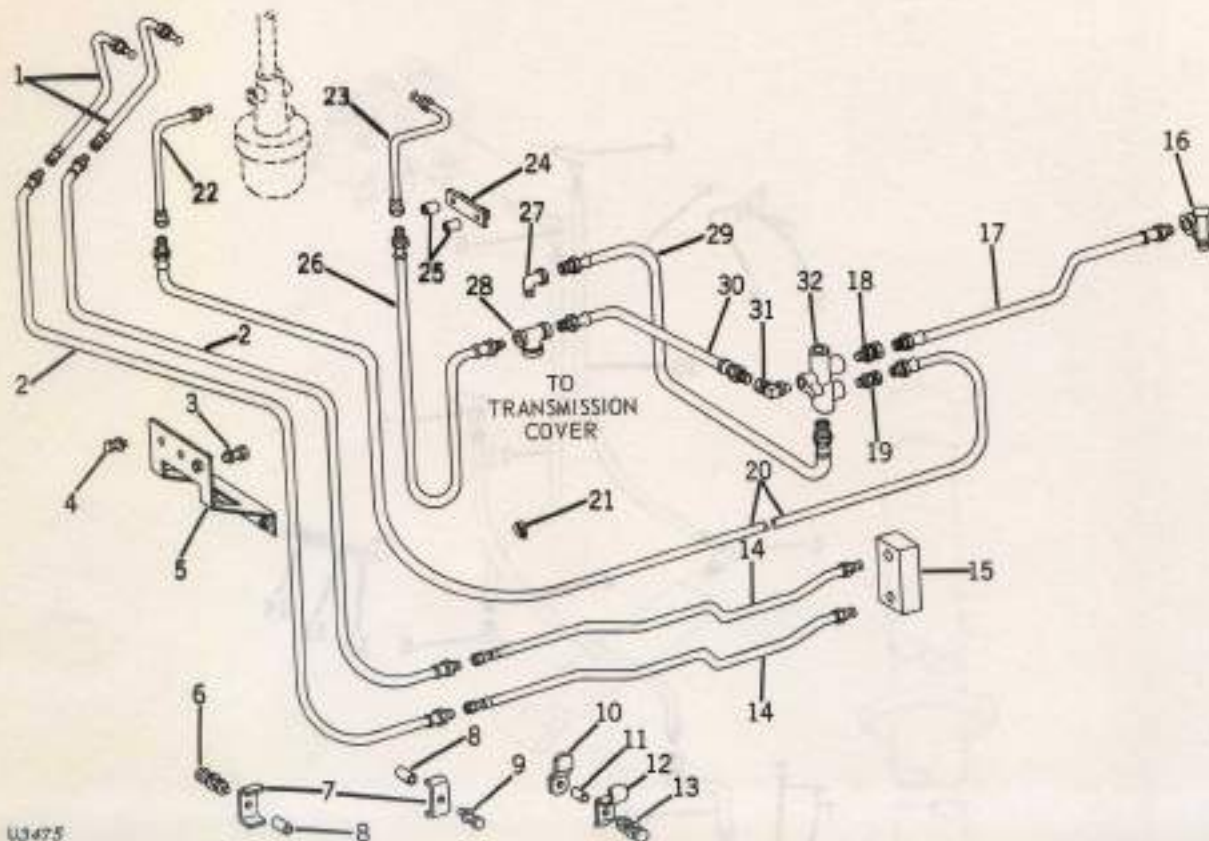
Key	Part No.	Year or Serial No.	Description
1	U 10778 U	-	O-ring (4 used)
2	AU 11569 U	-	Union, adapter, straight (4 used)
3	AU 13216 U	-	Tube, return, tilt cylinder (2 used)
4	AU 11572 U	-	Hose, 1/4" x 20" (4 used)
5	AU 13672 U	-	Tube, tilt (2 used)
6	AA 7189 R	-	Tee, adapter (2 used)
7	AH 987 R	-	Union, adapter (2 used)
8	19H 1732	-	Screw, cap, high-strength, 3/8" x 1-1/4"
	12H 304	-	Washer, lock, 3/8"
	14H 812	-	Nut, hex., 3/8"
9	U 16463 U	-	Clamp, tube
10	28H 1518	-	Spacer, 3/8" x 5/16"
11	AU 13674 U	-	Tube, tilt (2 used)
12	U 13055 U	-	Clamp, hose (4 used)

OIL LINES AND FITTINGS - LIFT AND SIDE-SHIFT CIRCUITS



Key	Part No.	Year or Serial No.	Description
1	R 26906 R	(-)	O-ring
2	AU 11751 U	(-)	Union, adapter, 7/8" x 1", 90°
3	AU 13626 U	(-)	Tube, lift cylinder
4	AU 11603 U	(-)	Hose, lift cylinder, 1/2" x 28"
5	AU 11752 U	(-)	Union, adapter, 7/8" x 1/2", 90°
6	AP 23054 H	(-)	Union, adapter, 3/8", 90° (4 used)
7	28H 1522	(-)	Spacer, 3/8" x 11/16"
8	U 16463 U	(-)	Clamp, tube
9	19H 1765	(-)	Screw, cap, high-strength, 3/8" x 1-3/4"
	12H 304	(-)	Washer, lock, 3/8"
10	AW 10907 W	(-)	Hose, tilt cylinder, 3/8" x 33"
11	AW 10595 W	(-)	Hose, tilt cylinder, 3/8" x 38"
12	U 13635 U	(-)	Clamp, hose
13	28H 1518	(-)	Spacer, 3/8" x 5/16"
14	19H 1732	(-)	Screw, cap, high-strength, 3/8" x 1-1/4"
	12H 304	(-)	Washer, lock, 3/8"
	14H 812	(-)	Nut, hex., 3/8"

OIL LINES AND FITTINGS - POWER STEERING CIRCUIT



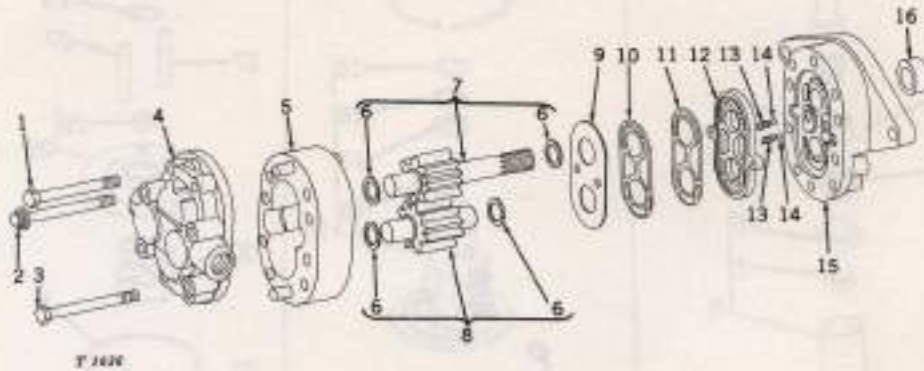
U3475

Key	Part No.	Year or Serial No.	Description
1	AU 13682 U	-	Tube, pressure, steering (2 used)
2	AU 10325 U	-	Hose, 3/8" x 62" (2 used)
3	19H 1731	-	Screw, cap, high-strength, 3/8" x 1" (3 used)
	12H 304	-	Washer, lock, 3/8"
4	19H 1726	-	Screw, cap, high-strength, 3/8" x 2-1/4" (2 used)
	12H 304	-	Washer, lock, 3/8"
5	AU 13671 U	-	Support, hose
6	19H 1765	-	Screw, cap, high-strength, 3/8" x 1-3/4"
	12H 304	-	Washer, lock, 3/8"
	14H 812	-	Nut, hex., 3/8"
7	U 13061 U	-	Clamp, hose (2 used)
8	28H 1518	-	Spacer, 3/8" x 5/16" (2 used)
9	19H 1765	-	Screw, cap, high-strength, 3/8" x 1-3/4"
	12H 304	-	Washer, lock, 3/8"
10	U 16502 U	-	Bracket, tube
11	28H 1522	-	Spacer, 3/8" x 11/16"
12	U 16503 U	-	Clamp, tube
13	19H 1732	-	Screw, cap, high-strength, 3/8" x 1-1/4"
	12H 304	-	Washer, lock, 3/8"
	14H 812	-	Nut, hex., 3/8"
14	AU 13669 U	-	Tube, power steering (HLR tractor only) (2 used)
	AU 13730 U	-	Tube, power steering (collar shift tractor only) (2 used) (sub. for AU13669U)
15	-	Block, connector (see Power Steering Hydraulic Lines, PC-903, 2010 Wheel Tractor)
16	U 10079 U	-	Union, adapter, 3/4" x 1/2", 90°
17	JD 154	-	Hose, 1/2" x 24"
18	AU 11753 U	-	Union, adapter, straight
19	AH 17169 H	-	Union, adapter, straight, 9/16"
20	AW 10599 W	-	Hose, 3/8" x 67"
21	AR 21840 R	-	Clamp, hose
22	AU 13683 U	-	Tube, pressure, steering
23	AU 13684 U	-	Tube, return, steering
24	AU 13690 U	-	Bracket, hose

OIL LINES AND FITTINGS - POWER STEERING CIRCUIT -- Continued

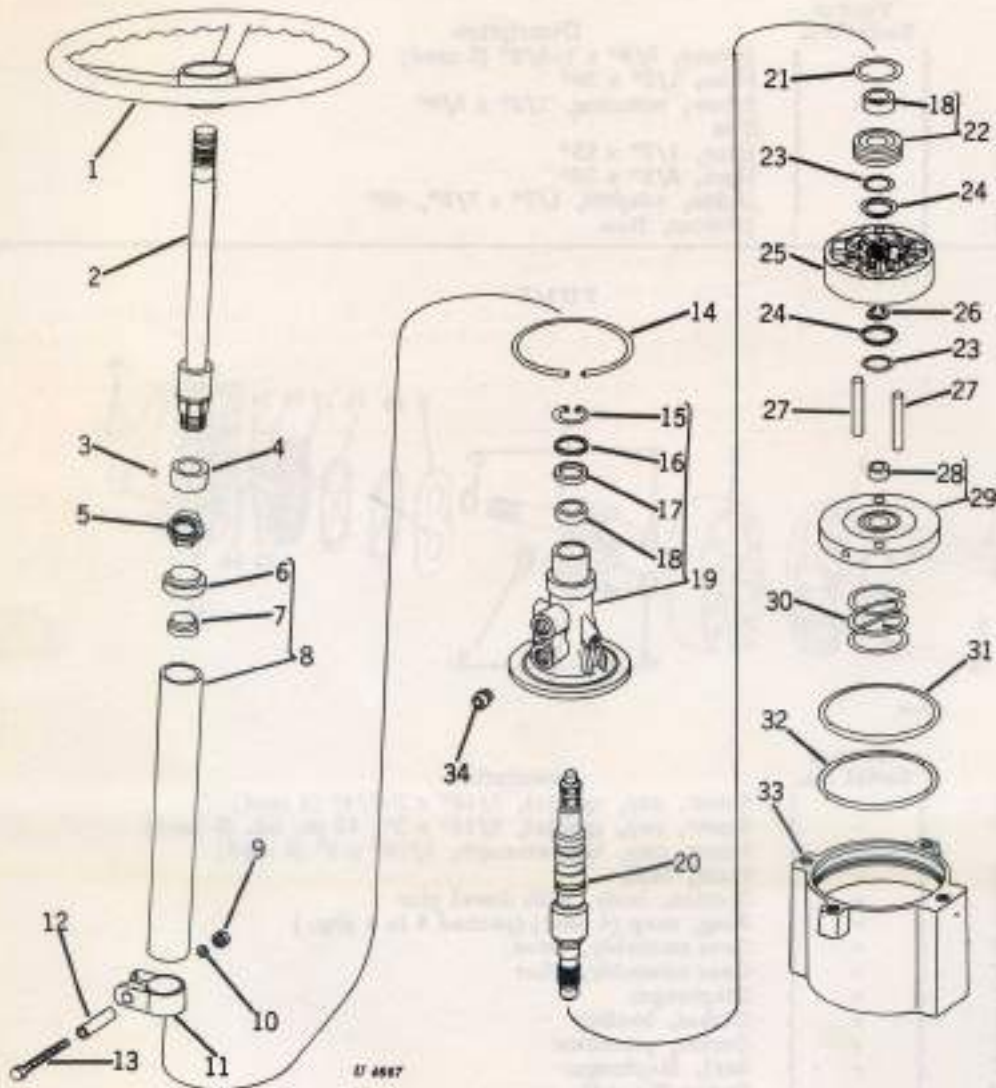
Key	Part No.	Year or Serial No.	Description
25	28H 1528	(-)	Spacer, 3/8" x 1-5/8" (2 used)
26	JD 156	(-)	Hose, 1/2" x 36"
27	15H 410	(-)	Elbow, reducing, 1/2" x 3/4"
28	U 16467 U	(-)	Tee
29	AF 2999 R	(-)	Hose, 1/2" x 15"
30	AH 14254 H	(-)	Hose, 3/8" x 28"
31	U 10079 U	(-)	Union, adapter, 1/2" x 7/8", 45°
32	AU 13689 U	(-)	Divider, flow

PUMP



Key	Part No.	Year or Serial No.	Description
1	T 12962 T	(-)	Screw, cap, special, 5/16" x 2-3/4" (4 used)
2	T 12966 T	(-)	Screw, cap, special, 5/16" x 3", 12 pt. hd. (2 used)
3	19H 1904	(-)	Screw, cap, high-strength, 5/16" x 3" (2 used)
4	AU 13539 U	(-)	Plate, back
5	AT 12116 T	(-)	Section, body, with dowel pins
6	T 12960 T	(-)	Ring, snap (4 used) (packed 4 in a pkg.)
7	AU 13541 U	(-)	Gear assembly, drive
8	AT 12115 T	(-)	Gear assembly, idler
9	T 12957 T	(-)	Diaphragm
10	T 12958 T	(-)	Gasket, backlap
11	T 12959 T	(-)	Gasket, protector
12	T 12956 T	(-)	Seal, diaphragm
13	H 22695 H	(-)	Spring (2 used)
14	H 22694 H	(-)	Ball (2 used)
15	AU 13540 U	(-)	Plate, front
16	AH 15442 H	(-)	Seal, shaft
..	AH 18136 H	(-)	Kit, pump repair (not illustrated)
..	AU 13389 U	(-)	Pump, complete

POWER STEERING UNIT

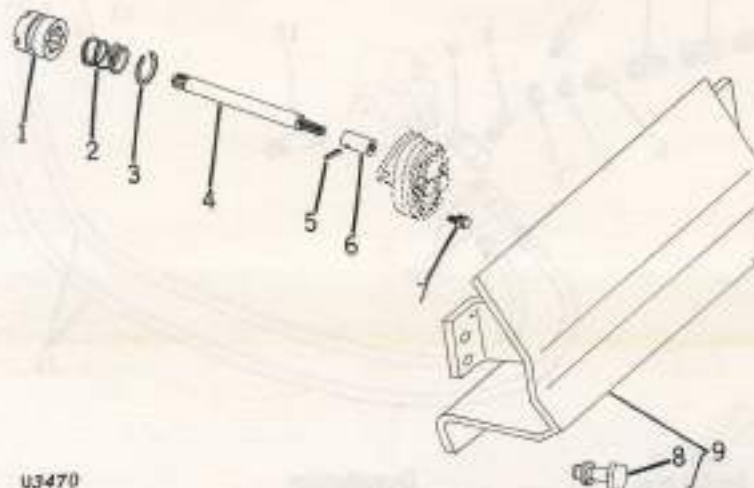


Key	Part No.	Year or Serial No.	Description
1	-	Wheel, steering (see Wheel, Steering, PC-903, 2010 Wheel Tractor)
2	AU 13758 U	-	Shaft, steering
3	U 16539 U	-	Ball, 11/64" diameter
4	U 16537 U	-	Ring, taper, steering shaft
5	U 16528 U	-	Nut, steering shaft
6	-	Cover, dust (sub. AU13762U)
7	-	Scraper, steering shaft (sub. AU13762U)
8	AU 13753 U	-	Jacket steering shaft
9	14H 650	-	Nut, hex., 5/16"
10	12H 303	-	Washer, lock, 5/16"
11	T 13625 T	-	Clamp, jacket
12	U 16535 U	-	Scraper, clamp
13	19H 1072	-	Screw, cap, high-strength, 5/16" x 2-1/4"
14	U 16531 U	-	Ring, retaining, housing
15	U 16538 U	-	Ring, retaining, seal
16	-	Seal, dust, stub shaft (sub. AU13763U or AU13760U)
17	-	Seal, oil stub shaft (sub. AU13763U or AU13760U)
18	U 16525 U	-	Bearing (2 used)
19	-	Housing (sub. AU13677U)
20	-	Valve and shaft assembly (sub. AU13677U)
21	U 17052 U	-	Seal, bearing support
22	AU 13759 U	-	Bearing, support
23	U 17051 U	-	O-ring, rotor (2 used)

POWER STEERING UNIT -- Continued

Key	Part No.	Year or Serial No.	Description
24	U 16534 U	(-)	Seal, rotor (2 used)
25	AU 13757 U	(-)	Rotor and ring assembly
26	U 16532 U	(-)	Ring, retaining, rotor
27	U 16530 U	(-)	Pin, dowel (2 used)
28	U 16527 U	(-)	Bearing, needle
29	AU 13756 U	(-)	Plate assembly, pressure
30	U 16536 U	(-)	Spring, pressure plate
31	U 16533 U	(-)	Ring, backlap
32	U 17500 U	(-)	O-ring, cover (sub. for C11884C)
33	U 16529 U	(-)	Cover, lower housing
34	U 16526 U	(-)	Flare, inverted connector (4 used)
..	AU 13763 U	(-)	Kit, seal, stub shaft (includes stub shaft oil seal and dust seal)
..	AU 13760 U	(-)	Kit, bearing and seal, stub shaft (includes stub shaft oil seal, dust seal, and U16525U)
..	AU 13762 U	(-)	Kit, steering shaft (includes steering shaft scraper and dust cover)
..	AU 13677 U	(-)	Power steering unit, complete

PUMP DRIVE

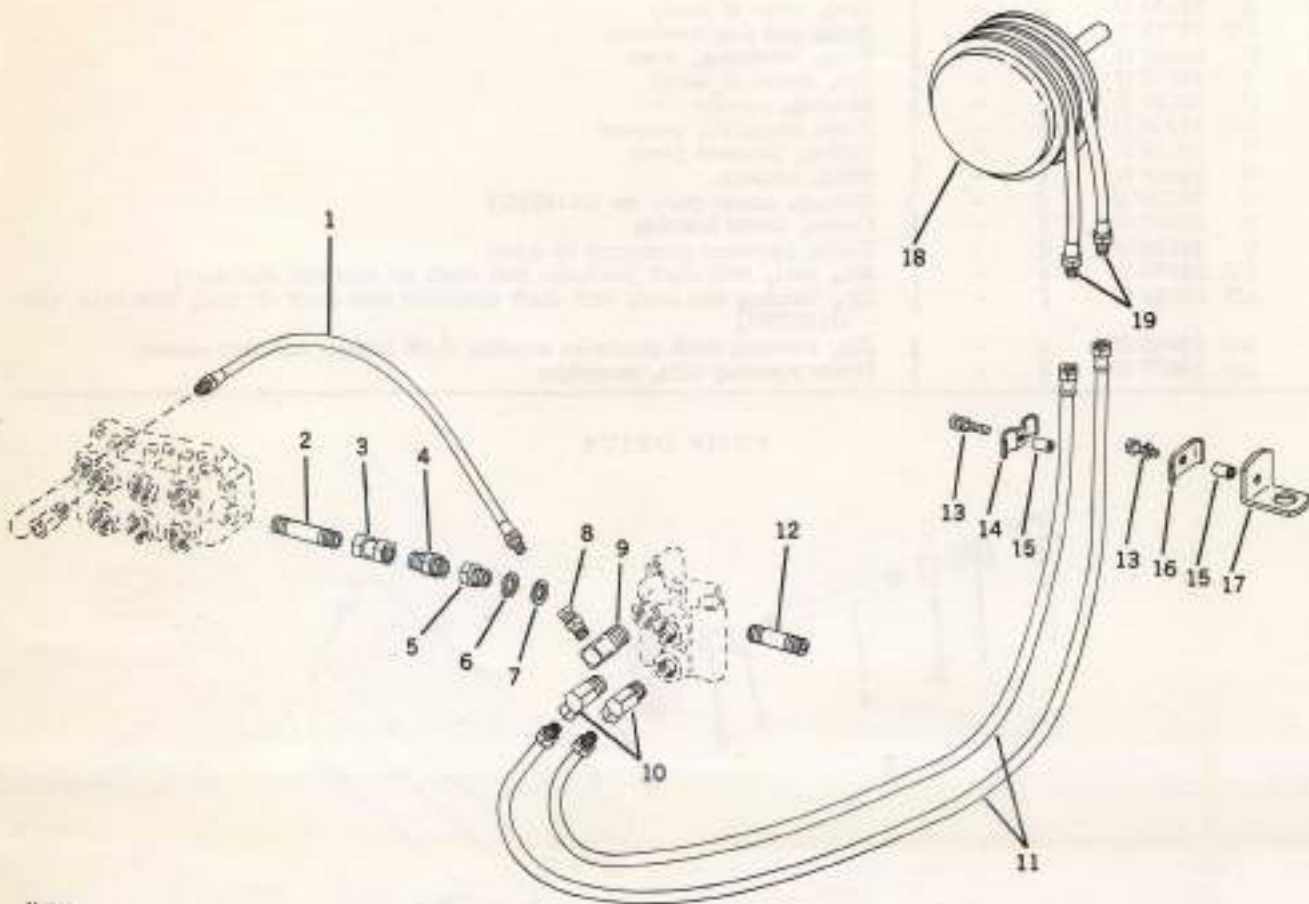


U3470

Key	Part No.	Year or Serial No.	Description
1	(-)	Coupling, pump drive (see Front Mounted Auxiliary Pump Shifter PC-903, 2010W Tractor)
2	(-)	Spring, return (see Front Mounted Auxiliary Pump Shifter PC-903, 2010W Tractor)
3	(-)	Ring, snap (see Front Mounted Auxiliary Pump Shifter, PC-903, 2010W Tractor)
4	T 19611 T	(-)	Shaft, pump drive
5	34H 60	(-)	Pin, spring, 5/32" x 1"
6	T 11751 T	(-)	Coupling
7	19H 1815	(-)	Screw, cap, high-strength, 1/2" x 1-1/4" (6 used)
	12H 301	(-)	Washer, lock, 1/2"
8	19H 1756	(-)	Screw, cap, high-strength, 5/8" x 1-1/2" (6 used)
	12H 294	(-)	Washer, lock, 5/8"
9	BU 10500 U	(-)	COVER, PUMP (INCLUDES ATTACHING HARDWARE)

NOTE: Item shown in capital letters is whole goods and must be listed on a separate order from replacement parts.

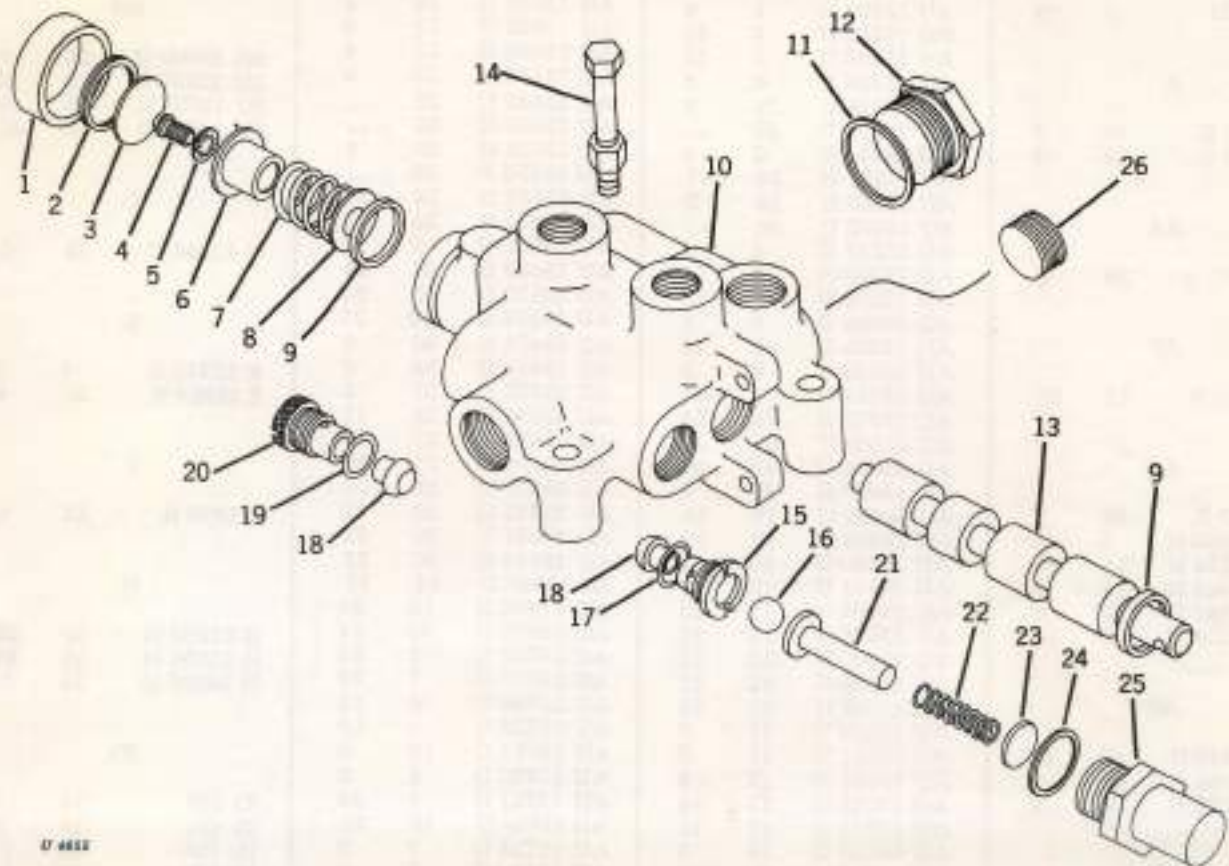
OIL LINES AND FITTINGS AUXILIARY VALVE TO REEL



U sees

Key	Part No.	Year or Serial No.	Description
1	AU 10862 U	(-)	Hose, 1/2" x 22-1/2"
2	29H 268	(-)	Pipe, 3/4" x 4-3/4"
3	JD 149	(-)	Union, adapter
4	U 13193 U	(-)	Union, adapter, straight
5	U 30254 U	(-)	Sleeve, power-beyond
6	U 30255 U	(-)	Seal
7	T 10494 T	(-)	Gasket, copper
8	JD 151	(-)	Union, adapter
9	U 40438	(-)	Elbow, special
10	U 11461 U	(-)	Union, adapter (2 used)
11	AU 40278	(-)	Hose, 103" long (2 used)
12	29H 261	(-)	Pipe, 3/4" x 3"
13	19H 1732	(-)	Screw, cap, 3/8" x 1-1/4" (2 used)
	12H 304	(-)	Washer, lock
14	U 13055 U	(-)	Clamp
15	28H 1522	(-)	Spacer (2 used)
16	U 10516 U	(-)	Clamp
17	U 40437	(-)	Hook, bucket, hose
18	AU 40279	(-)	Reel (without hoses)
19	AU 40277	(-)	Hose, 5/16" x 204" (2 used)

AUXILIARY VALVE



U 4612

Key	Part No.	Year or Serial No.	Description
1	T 10639 T	(-)	Bonnet, rubber
2	T 10653 T	(-)	Ring, snap
3	T 10632 T	(-)	Disk, stop
4	21H 597	(-)	Bolt, spring
5	T 10662 T	(-)	Washer, lock, special
6	T 10631 T	(-)	Collar, stop
7	T 10633 T	(-)	Spring, centering
8	T 10642 T	(-)	Washer, stop
9	T 10638 T	(-)	Seal, spool (2 used)
10	(-)	Housing, valve (sub. AU40280)
11	T 10494 T	(-)	Gasket, copper
12	T 10493 T	(-)	Plug
13	(-)	Spool (sub. AU40280)
14	19H 1726	(-)	Screw, cap, 3/8" x 2-1/4" (3 used)
	T 11234 T	(-)	Nut, lock
15	B 15529 B	(-)	Seat, relief
16	U 13617 U	(-)	Ball, relief
17	T 12047 T	(-)	O-ring
18	U 13616 U	(-)	Poppet (2 used)
19	T 12048 T	(-)	O-ring
20	U 13613 U	(-)	Plug, check
21	U 15752 U	(-)	Guide, spring
22	U 15753 U	(-)	Spring, relief
23	U 10562 U	(-)	Shim
24	T 10654 T	(-)	Gasket
25	U 15754 U	(-)	Cap, relief
26	15H 278	(-)	Plug
..	AU 40280	(-)	Valve, complete

NUMERICAL INDEX
Forklift -- 2010

Part No.	Page	Key	Part No.	Page	Key	Part No.	Page	Key	Part No.	Page	Key
M 2396 T	7	7	T 12956 T	31	12	U 13617 U	15	24	U 16248 U	18	5
M 3742 T	13	16	T 12957 T	31	9	U 13635 U	29	12	U 16249 U	18	6
			T 12958 T	31	10	U 13965 U	17	14	U 16250 U	21	12
			T 12959 T	31	11	U 14579 U	19	8	U 16254 U	21	7
			T 12960 T	31	6	U 14868 U	17	11	U 16255 U	20	12
			T 12962 T	31	1	U 14917 U	24	5	U 16257 U	21	10
			T 12966 T	31	2	U 14962 U	26	1	U 16258 U	21	15
			T 13625 T	32	11	U 15020 U	5	22	U 16260 U	20	14
			T 14294 T	18	9	U 15020 U	6	22	U 16263 U	21	28
			T 14671 T	19	20	U 15043 U	4	10	U 16266 U	21	26
			T 14744 T	10	3	U 15434 U	27	18	U 16267 U	21	29
			T 14744 T	10	5	U 15435 U	27	27	U 16271 U	21	30
			T 19611 T	33	4	U 15436 U	27	12	U 16272 U	13	19
			T 19635 T	25	1	U 15437 U	27	15	U 16272 U	21	22
						U 15441 U	27	10	U 16274 U	20	8
						U 15641 U	25	4	U 16275 U	20	15
						U 15657 U	5	11	U 16276 U	20	5
						U 15657 U	7	25	U 16276 U	21	4
						U 15683 U	5	18	U 16277 U	20	1
						U 15683 U	7	34	U 16277 U	21	1
						U 15685 U	4	5	U 16286 U	27	9
						U 15687 U	5	21	U 16345 U	23	9
						U 15687 U	6	23	U 16348 U	7	26
						U 15688 U	5	22	U 16355 U	6	21
						U 15688 U	6	22	U 16367 U	5	8
						U 15697 U	6	4	U 16367 U	6	8
						U 15704 U	3	4	U 16368 U	5	10
						U 15704 U	5	2	U 16368 U	6	10
						U 15704 U	6	2	U 16379 U	22	17
						U 15728 U	8	1	U 16386 U	22	1
						U 15734 U	5	4	U 16386 U	23	1
						U 15737 U	4	11	U 16387 U	22	7
						U 15747 U	26	1	U 16387 U	23	7
						U 15748 U	15	12	U 16388 U	22	3
						U 15749 U	15	11	U 16388 U	23	3
						U 15752 U	15	23	U 16389 U	22	13
						U 15752 U	35	21	U 16390 U	22	4
						U 15753 U	15	22	U 16390 U	23	4
						U 15753 U	35	22	U 16392 U	22	25
						U 15754 U	15	19	U 16392 U	23	20
						U 15862 U	8	6	U 16393 U	22	16
						U 15874 U	8	5	U 16393 U	23	19
						U 15927 U	3	10	U 16394 U	22	10
						U 15928 U	3	12	U 16395 U	23	11
						U 15929 U	3	11	U 16396 U	22	18
						U 16096 U	3	7	U 16397 U	22	2
						U 16180 U	19	22	U 16397 U	23	2
						U 16181 U	19	21	U 16435 U	22	12
						U 16182 U	18	12	U 16435 U	23	13
						U 16186 U	10	13	U 16446 U	22	9
						U 16191 U	10	7	U 16448 U	9	6
						U 16195 U	12	12	U 16449 U	9	5
						U 16201 U	12	9	U 16456 U	22	20
						U 16201 U	14	7	U 16463 U	28	9
						U 16201 U	20	21	U 16463 U	29	8
						U 16202 U	12	8	U 16467 U	31	28
						U 16202 U	14	6	U 16469 U	5	23
						U 16202 U	20	20	U 16469 U	7	37
						U 16207 U	12	16	U 16485 U	7	31
						U 16208 U	11	2	U 16502 U	30	10
						U 16209 U	11	18	U 16503 U	30	12
						U 16212 U	11	16	U 16510 U	21	34
						U 16212 U	12	3	U 16511 U	21	35
						U 16214 U	11	7	U 16525 U	32	18
						U 16217 U	13	11	U 16526 U	33	34
						U 16218 U	13	13	U 16527 U	33	28
						U 16222 U	13	2	U 16528 U	32	5
						U 16228 U	14	26	U 16529 U	33	33
						U 16228 U	16	2	U 16530 U	33	27
						U 16230 U	16	5	U 16531 U	32	14
						U 16233 U	14	21	U 16532 U	33	26
						U 16233 U	21	32	U 16533 U	33	31
						U 16236 U	14	15	U 16534 U	33	24
						U 16238 U	14	14			

NUMERICAL INDEX
Forklift -- 2010

Part No.	Page	Key	Part No.	Page	Key	Part No.	Page	Key	Part No.	Page	Key
U 16535 U	32	12									
U 16536 U	33	30									
U 16537 U	32	4									
U 16538 U	32	15									
U 15639 U	32	3									
U 16543 U	25	2									
U 16544 U	25	2									
U 16546 U	25	7									
U 16547 U	25	6									
U 16548 U	25	8									
U 16549 U	25	5									
U 16550 U	25	4									
U 17048 U	5	25									
U 17048 U	7	39									
U 17051 U	32	23									
U 17052 U	32	21									
U 17336 U	26	4									
U 17341 U	26	5B									
U 17344 U	26	8B									
U 17500 U	33	32									
U 20007 U	14	22									
U 20007 U	16	15									
U 30254 U	34	5									
U 30255 U	34	6									
U 40437	34	17									
U 40438	34	9									
W											
W 11229 W	22	21									
Y											
Y 5506 B	20	13									