

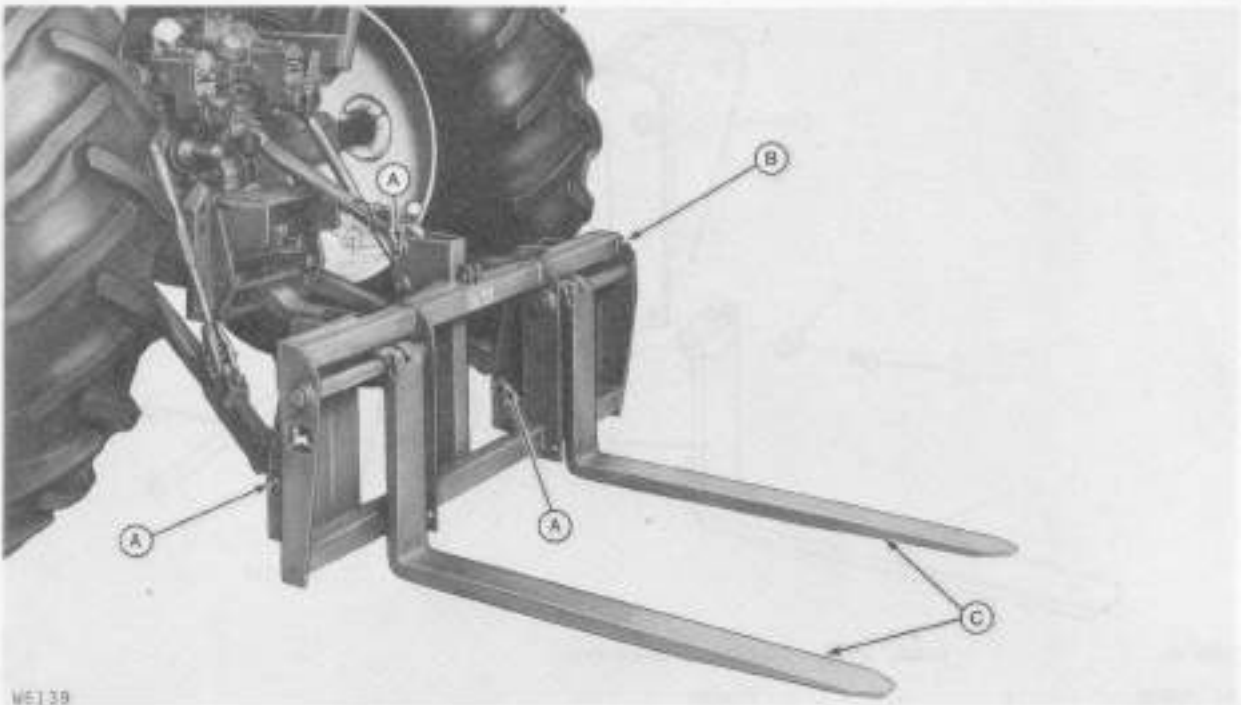
PC

Parts Catalog

**John Deere
59
Forklift**

PC-1597





WE139

A - Hitch Pin
B - Forklift Frame

C - Tine

*John Deere 59 Forklift Mounted on 3-Point Hitch
Manufactured (1976-)*

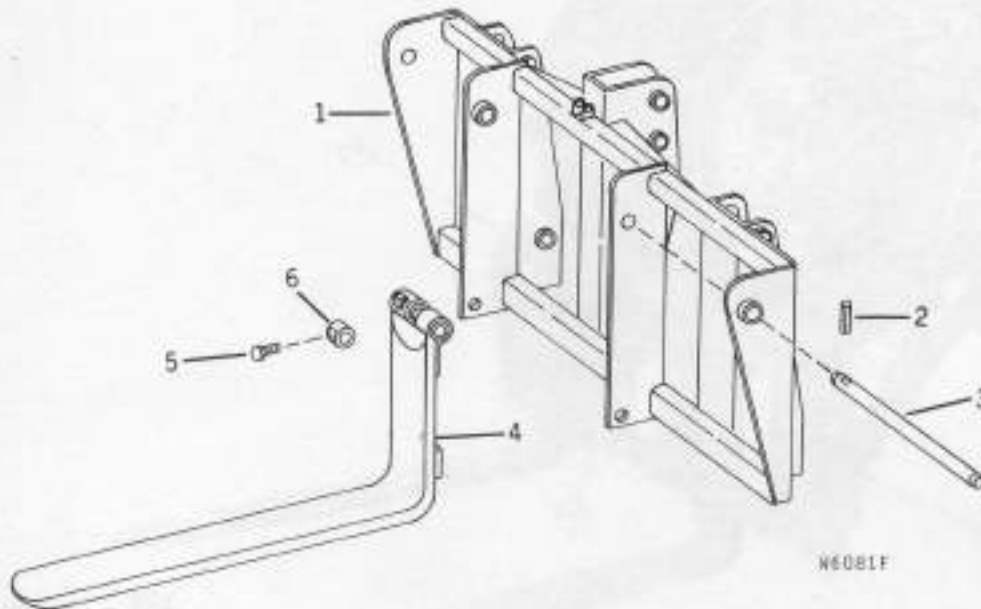
BOLT AND CAP SCREW STRENGTH IDENTIFICATION

BOLTS AND CAP SCREWS REQUIRED TO HAVE HIGH-STRENGTH QUALITIES EQUIVALENT TO SAE GRADE 8 ARE IDENTIFIED THROUGHOUT THIS CATALOG BY THE DESCRIPTION HS SAE 8. UNLESS IDENTIFIED BY THIS DESCRIPTION ALL STANDARD BOLTS AND CAP SCREWS ARE SAE GRADE 5 OR LOWER.

SI (INTERNATIONAL SYSTEM) UNITS OF MEASURE

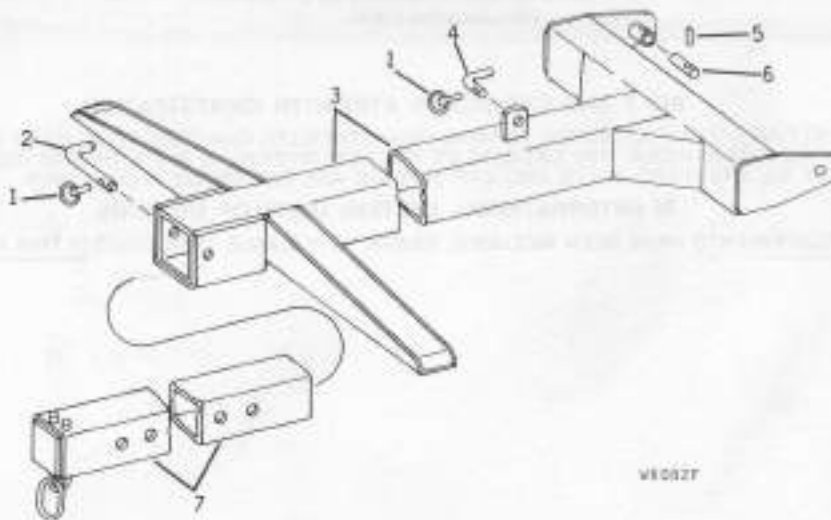
METRIC EQUIVALENTS HAVE BEEN INCLUDED, WHERE APPLICABLE, THROUGHOUT THIS PARTS CATALOG.

FRAME AND TINES



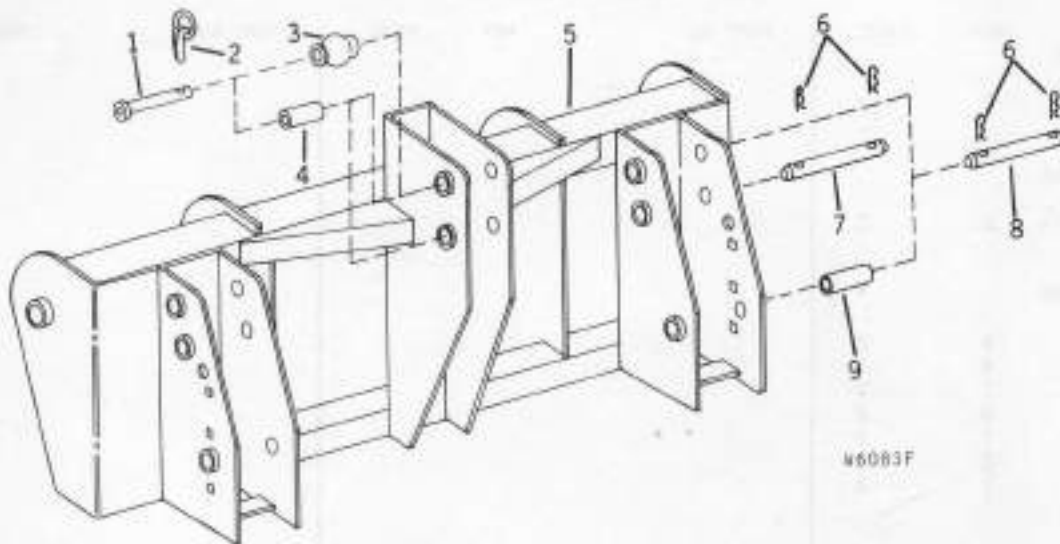
| KEY | PART NO. | SERIAL NO. | DESCRIPTION |
|-----|----------|------------|--------------------------------------|
| 1 | AW 19009 | - | FRAME |
| 2 | 34H 336 | - | PIN, SPRING, 5/16" X 2-1/4" (2 USED) |
| 3 | W 27443 | - | PIN (2 USED) |
| 4 | AW 19006 | - | TINE (2 USED) |
| 5 | 19H 1731 | - | SCREW, CAP, 3/8" X 1" (2 USED) |
| 6 | AW 19004 | - | COLLAR (2 USED) |

BOOM AND SUPPORT



| KEY | PART NO. | SERIAL NO. | DESCRIPTION |
|-----|----------|------------|--------------------------------------|
| 1 | B 15648 | - | PIN, QUIK-LOCK (2 USED) |
| 2 | W 27461 | - | PIN |
| 3 | AW 19008 | - | SUPPORT, BOOM |
| 4 | W 27617 | - | PIN |
| 5 | 34H 284 | - | PIN, SPRING, 3/16" X 1-1/4" (2 USED) |
| 6 | A 15275 | - | PIN (2 USED) |
| 7 | AW 19007 | - | BOOM |

ATTACHING PINS AND ADAPTERS



W6083F

| KEY | PART NO. | SERIAL NO. | DESCRIPTION |
|-----|----------|------------|--------------------------------------------------------------------------------------------------------|
| 1 | W 24543 | - | PIN |
| 2 | AA 21292 | - | PIN, QUIK-LOCK |
| 3 | F 2681 R | - | BALL, HITCH |
| 4 | W 20812 | - | ADAPTER, QUIK COUPLER (CATEGORY 2 AND 3N) |
| 5 | AW 19009 | - | FRAME |
| 6 | 11H 249 | - | PIN, COTTER, 1/4" X 2" (8 USED FOR LOADER OPERATION, 4 USED FOR 3-POINT HITCH OPERATION) |
| 7 | W 21771 | - | PIN (2 USED FOR 145 LOADER OPERATION) |
| 8 | W 21722 | - | PIN (4 USED FOR 146, 148, AND 156 LOADER OPERATION, 2 USED FOR 145 LOADER AND 3-POINT HITCH OPERATION) |
| 9 | W 27451 | - | ADAPTER, QUIK COUPLER (CATEGORY 2 AND 3N) (2 USED) |

DECAL KIT



W6084F

| KEY | PART NO. | SERIAL NO. | DESCRIPTION |
|-----|----------|------------|--------------------------------------------------------------------------------------------------------|
| 1 | AW 19361 | - | KIT, DECAL (CONSISTS OF THE FOLLOWING DECALS: 'CAUTION' (2 USED), LEAPING DEER (2 USED), MODEL NUMBER) |

NUMERICAL INDEX

| PART NO. | KEY | PAGE | PART NO. | KEY | PAGE | PART NO. | KEY | PAGE |
|----------|-----|------|----------|-----|------|----------|-----|------|
| A | | | | | | | | |
| A 15275 | 6 | 2 | | | | | | |
| AA | | | | | | | | |
| AA 21292 | 2 | 3 | | | | | | |
| AW | | | | | | | | |
| AW 19004 | 6 | 2 | | | | | | |
| AW 19006 | 4 | 2 | | | | | | |
| AW 19007 | 7 | 2 | | | | | | |
| AW 19008 | 3 | 2 | | | | | | |
| AW 19009 | 1 | 2 | | | | | | |
| AW 19009 | 5 | 3 | | | | | | |
| AW 19361 | 1 | 3 | | | | | | |
| B | | | | | | | | |
| B 15648 | 1 | 2 | | | | | | |
| F | | | | | | | | |
| F 2681 R | 3 | 3 | | | | | | |
| W | | | | | | | | |
| W 20812 | 4 | 3 | | | | | | |
| W 21722 | 8 | 3 | | | | | | |
| W 21771 | 7 | 3 | | | | | | |
| W 24543 | 1 | 3 | | | | | | |
| W 27443 | 3 | 2 | | | | | | |
| W 27451 | 9 | 3 | | | | | | |
| W 27461 | 2 | 2 | | | | | | |
| W 27617 | 4 | 2 | | | | | | |